



US00D742338S

(12) **United States Design Patent**
Akana et al.

(10) **Patent No.:** **US D742,338 S**

(45) **Date of Patent:** **** Nov. 3, 2015**

(54) **MLB MODULE FOR ELECTRONIC DEVICE**

(71) Applicant: **Apple Inc.**, Cupertino, CA (US)

(72) Inventors: **Jody Akana**, San Francisco, CA (US);
Julian Hoenig, San Francisco, CA (US);
Trevor Jordan Ness, San Francisco, CA (US);
Fletcher Rothkopf, Los Altos, CA (US);
Jason Christopher Sauers, Cupertino, CA (US);
Anna-Katrina Shedletsky, Mountain View, CA (US);
Samuel Bruce Weiss, Los Altos Hills, CA (US);
Rico Zörkendörfer, San Francisco, CA (US)

(73) Assignee: **Apple Inc.**, Cupertino, CA (US)

(**) Term: **14 Years**

(21) Appl. No.: **29/500,629**

(22) Filed: **Aug. 27, 2014**

(51) **LOC (10) Cl.** **13-03**

(52) **U.S. Cl.**
USPC **D13/182**

(58) **Field of Classification Search**
USPC D13/182; 361/679.01, 728, 720, 748,
361/679.02, 679.31, 715, 820
CPC G06F 1/16; G06F 1/1601; G06F 1/1613;
G06F 1/18; G06F 1/183; G06F 1/184; G06F
1/185; H05K 7/1422; H05K 7/1424; H05K
7/1427; H05K 7/1429; H05K 7/1431; H05K
7/1439; H05K 2201/04; H05K 2201/049;
H05K 2201/05; H05K 3/0058; H05K 3/0061;
H01K 1/00; H01K 1/0206

See application file for complete search history.

(56) **References Cited**

U.S. PATENT DOCUMENTS

5,321,380 A * 6/1994 Godek et al. 336/232
D465,772 S * 11/2002 Poulter et al. D13/182

D476,959 S * 7/2003 Yamada et al. D13/182
7,042,719 B2 * 5/2006 Lai 361/679.21
D587,662 S * 3/2009 Soutome et al. D13/182
D673,515 S 1/2013 Corbin et al.
D673,921 S * 1/2013 Ozawa D13/182
D673,922 S * 1/2013 Moriai et al. D13/182
D677,633 S 3/2013 Corbin et al.
D677,664 S 3/2013 Akana et al.
D680,495 S 4/2013 Corbin et al.
D680,978 S * 4/2013 Meek D13/182
D686,174 S * 7/2013 Soyano D13/182
8,477,512 B2 * 7/2013 Zheng et al. 361/784
D694,755 S 12/2013 Akana et al.
D697,918 S 1/2014 Akana et al.
D700,899 S 3/2014 Corbin et al.
D719,537 S * 12/2014 Kawase et al. D13/182

* cited by examiner

Primary Examiner — Elizabeth J Oswecki

(74) *Attorney, Agent, or Firm* — Sterne, Kessler, Goldstein & Fox P.L.L.C.

(57) **CLAIM**

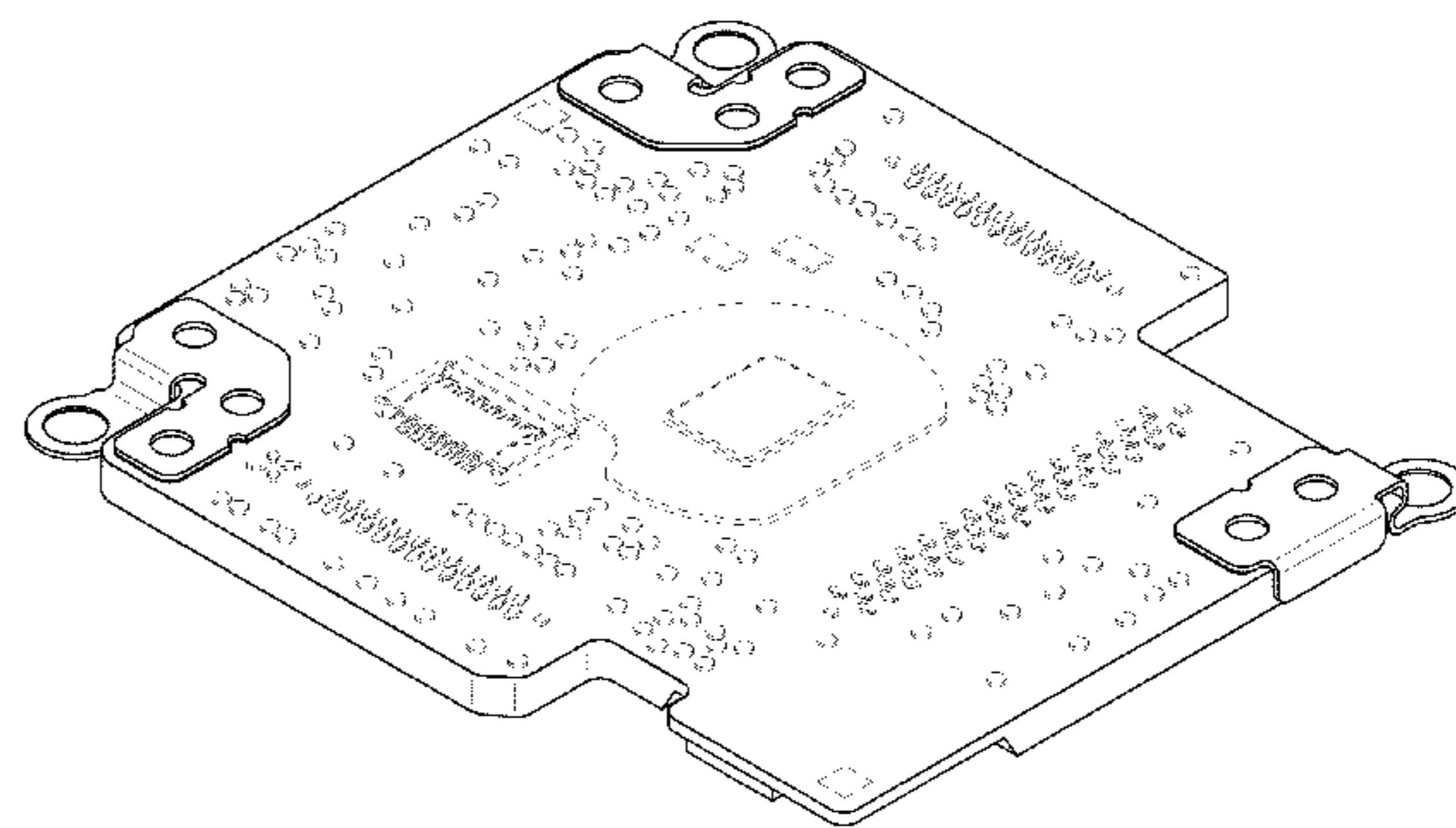
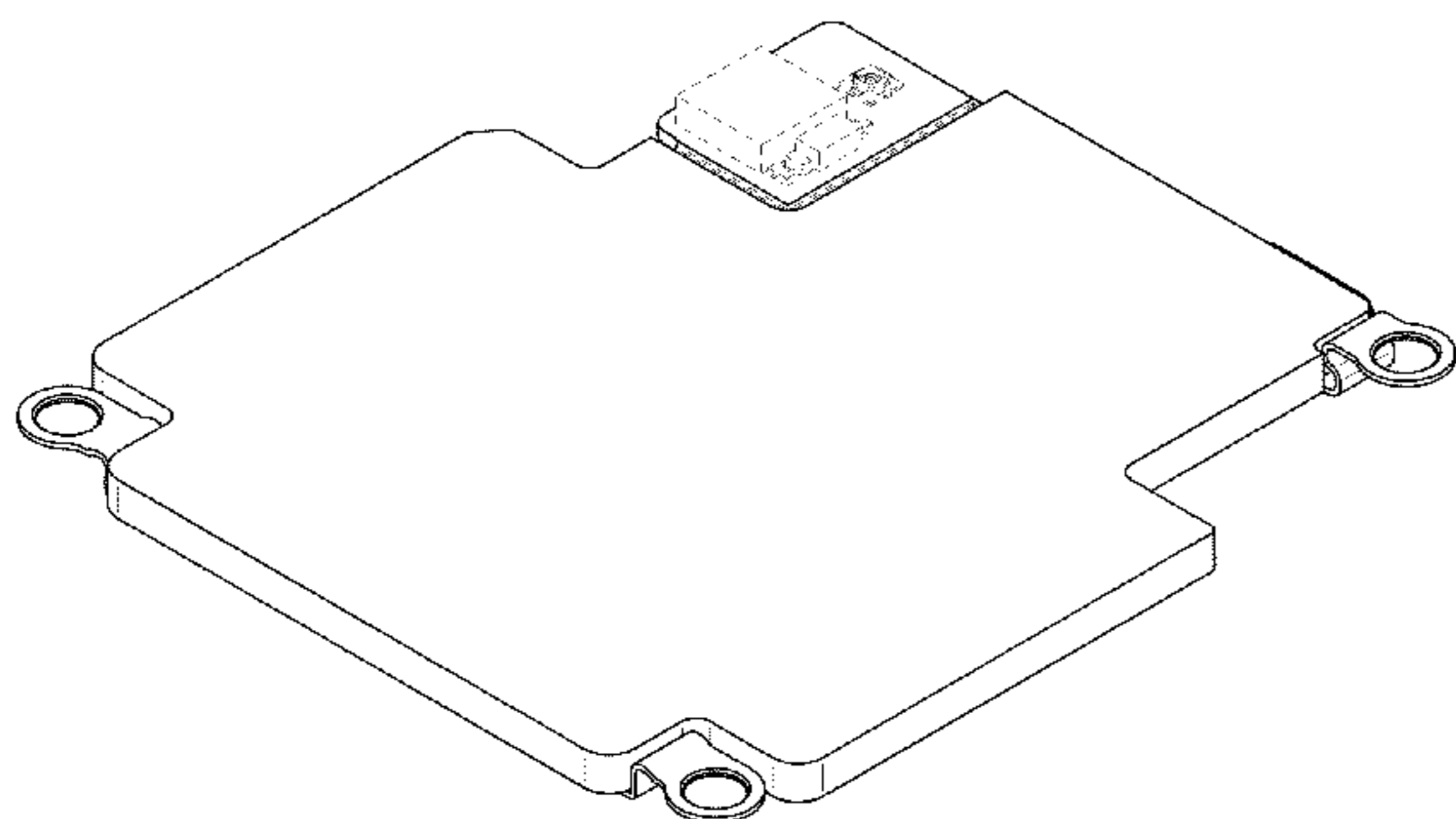
The ornamental design for an MLB module for electronic device, as shown and described.

DESCRIPTION

FIG. 1 is a front perspective view of an MLB module for electronic device showing our new design;
FIG. 2 is a rear perspective view thereof;
FIG. 3 is a front view thereof;
FIG. 4 is a rear view thereof;
FIG. 5 is a left side view thereof;
FIG. 6 is a right side view thereof;
FIG. 7 is a top view thereof; and,
FIG. 8 is a bottom view thereof.

The broken lines in the Figures show portions of the MLB module for electronic device that form no part of the claimed design. The shade lines in the Figures show contour and not surface ornamentation.

1 Claim, 5 Drawing Sheets



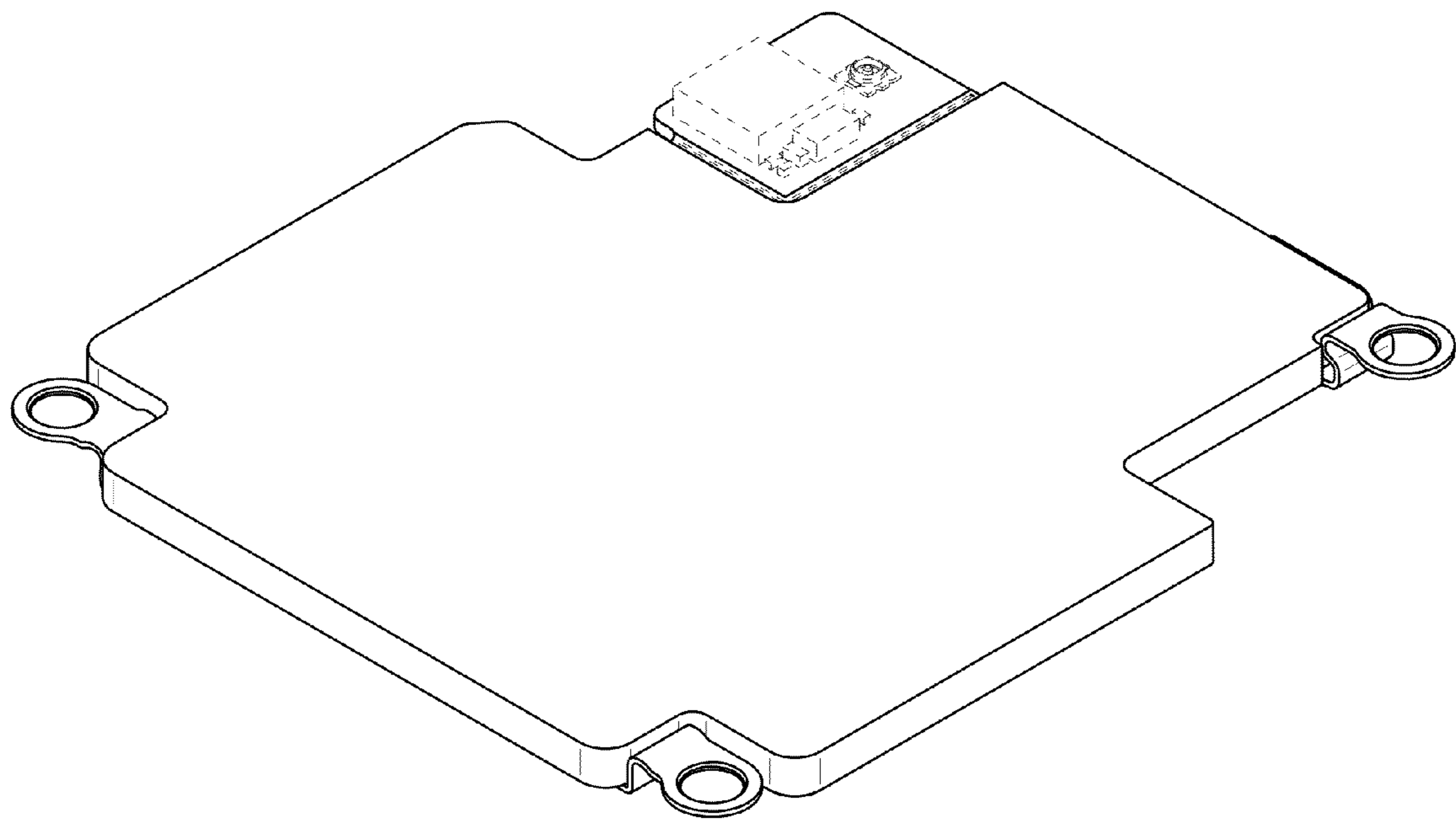


FIG. 1

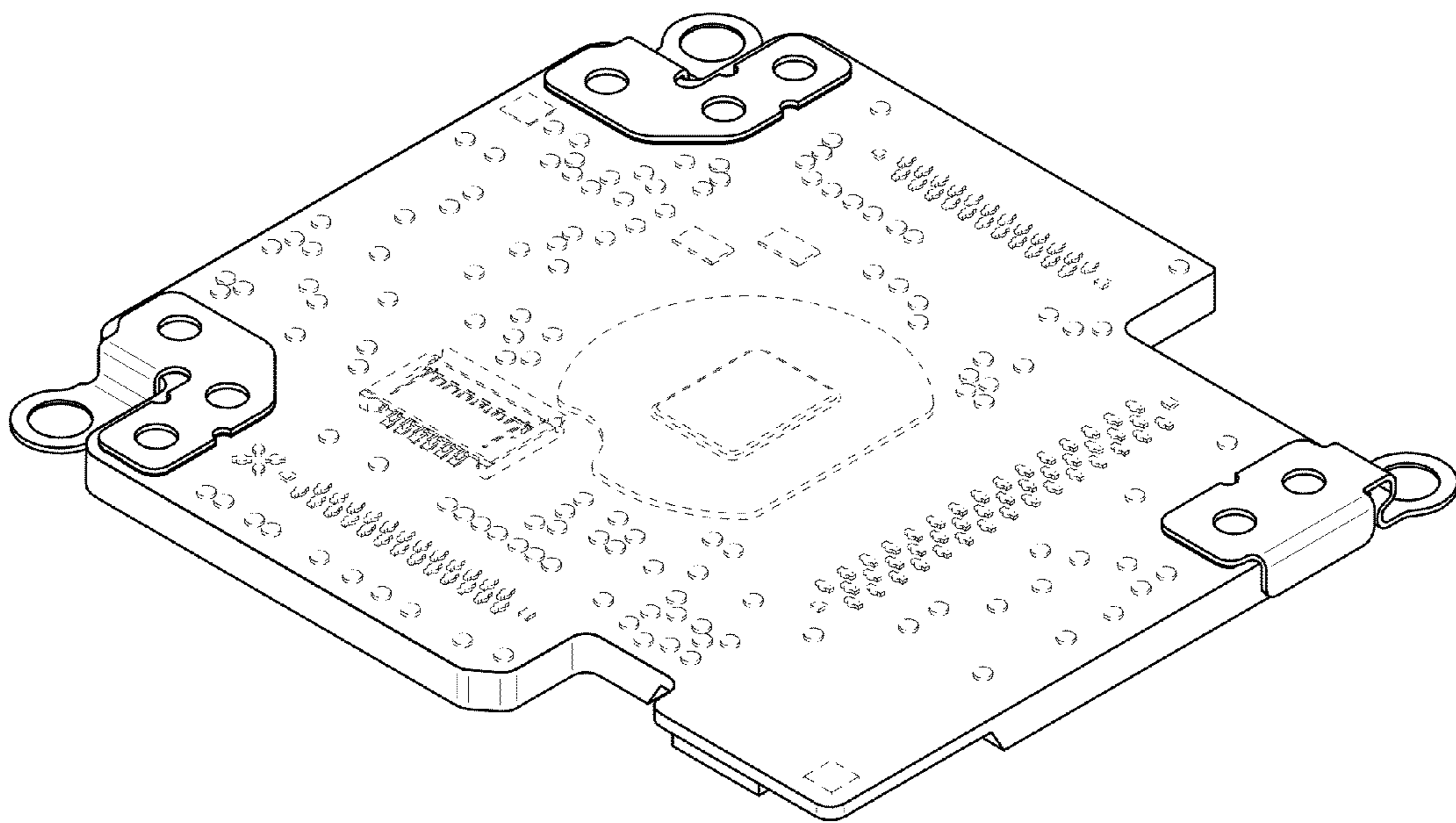


FIG. 2

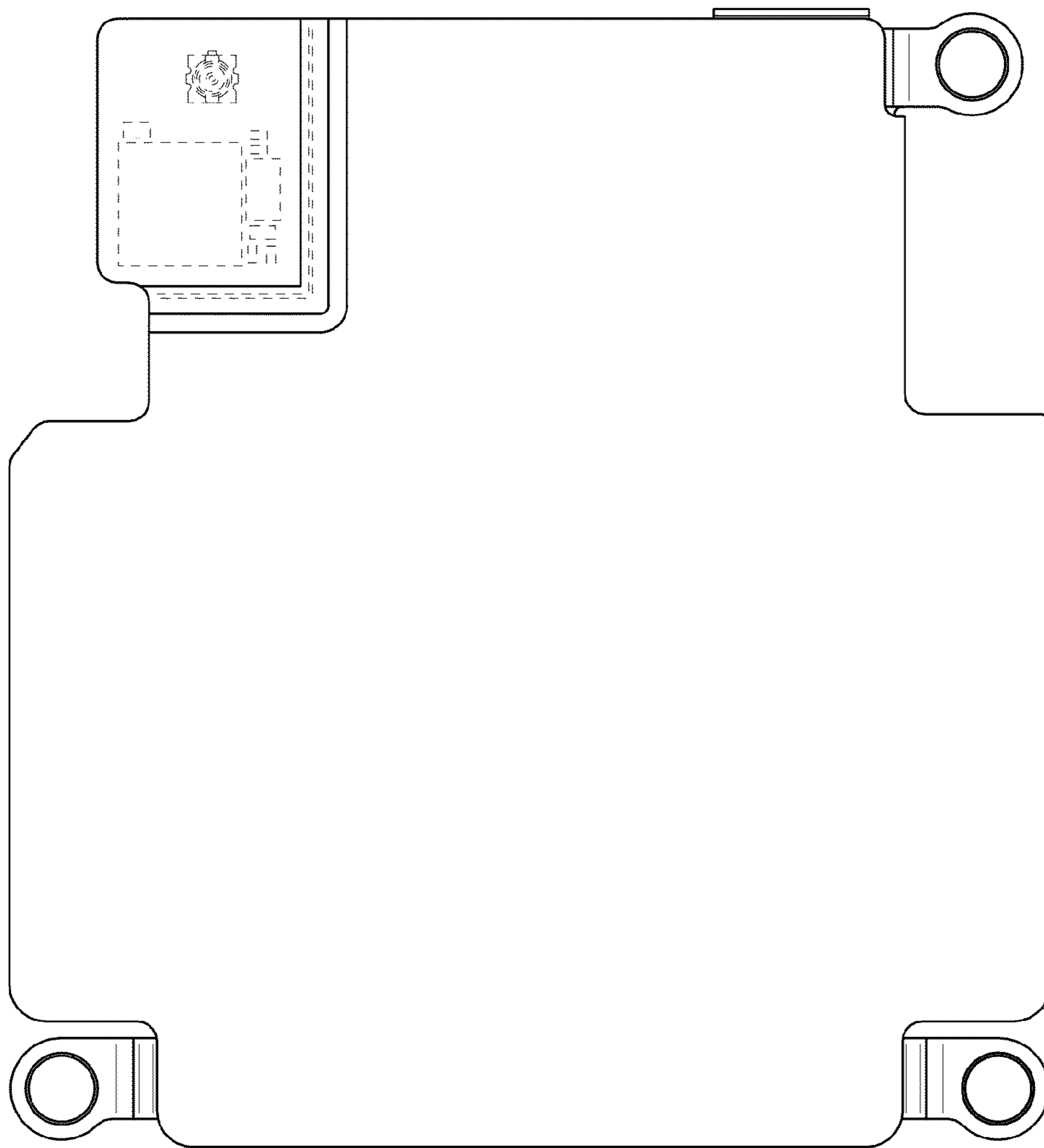


FIG. 3

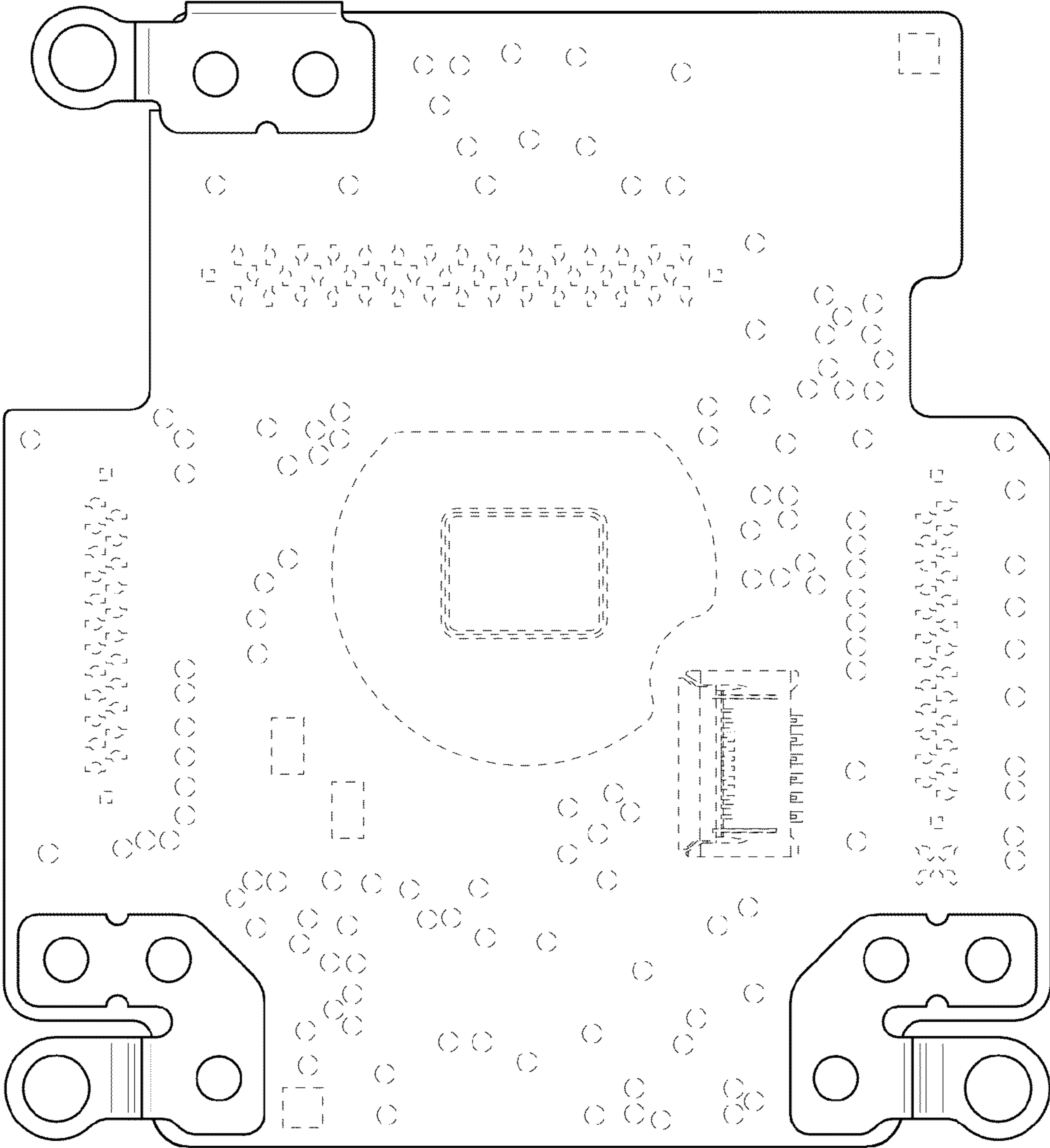


FIG. 4

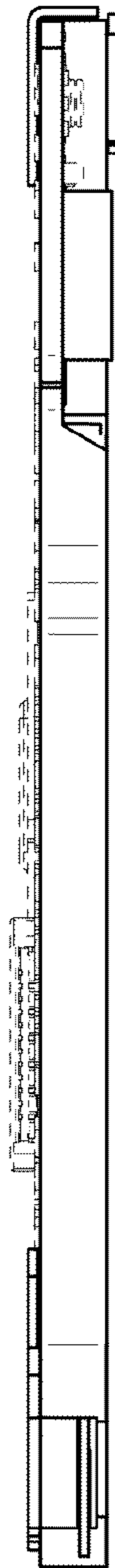


FIG. 5



FIG. 6

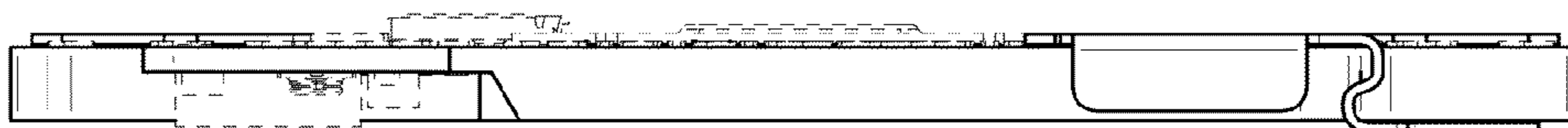


FIG. 7

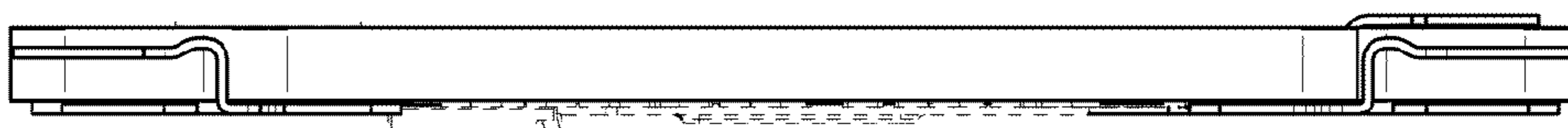


FIG. 8