



US00D742335S

(12) **United States Design Patent**
Yamaguchi

(10) **Patent No.:** **US D742,335 S**

(45) **Date of Patent:** **** Nov. 3, 2015**

(54) **REMOTE CONTROLLER**

(71) Applicant: **mitsubishi electric corporation**, Tokyo (JP)

(72) Inventor: **Takahiro Yamaguchi**, Tokyo (JP)

(73) Assignee: **Mitsubishi Electric Corporation**, Tokyo (JP)

(**) Term: **14 Years**

(21) Appl. No.: **29/489,567**

(22) Filed: **Apr. 30, 2014**

(30) **Foreign Application Priority Data**

Nov. 1, 2013 (JP) 2013-025582

Nov. 1, 2013 (JP) 2013-025583

(51) **LOC (10) Cl.** **14-03**

(52) **U.S. Cl.**
USPC **D13/168; D10/49**

(58) **Field of Classification Search**
USPC D13/162, 168; D6/300, 308; D10/49, D10/50, 104.1, 106.1, 106.95; D14/126, D14/129, 336, 337, 341, 371, 375, 218
CPC ... F24F 11/00; F24F 11/0012; F24F 11/0086; F24F 11/0009; F24F 2011/0057; F24F 2011/0073; F24F 2011/0091; G05B 19/0426; G05B 19/409; G05B 15/02; G06F 1/1601; G06F 3/041; G06F 3/044; G06F 3/0482; G06F 3/0488; G06F 3/0489; G05D 23/1902; G05D 23/1905; G05D 23/1931; G02F 1/33308; H01H 9/02; H05B 37/02
See application file for complete search history.

(56) **References Cited**

U.S. PATENT DOCUMENTS

D568,257 S * 5/2008 Tatsuyama et al. D13/162
D623,606 S * 9/2010 Nakai et al. D13/168

(Continued)

Primary Examiner — Selina Sikder

(74) *Attorney, Agent, or Firm* — Studebaker & Brackett PC

(57) **CLAIM**

The ornamental design for a remote controller, as shown and described.

DESCRIPTION

FIG. 1 is a perspective view of the front, right, and top side of a remote controller showing a first embodiment of my new design;

FIG. 2 is a front view thereof;

FIG. 3 is a rear view thereof;

FIG. 4 is a left side view thereof;

FIG. 5 is a right side view thereof;

FIG. 6 is a top plan view thereof;

FIG. 7 is a bottom view thereof;

FIG. 8 is a cross-sectional end view at a line 8-8 shown in FIG. 2 with omitting the interior mechanism;

FIG. 9 is a cross-sectional end view at a line 9-9 shown in FIG. 2 with omitting the interior mechanism;

FIG. 10 is a cross-sectional end view at a line 10-10 shown in FIG. 2 with omitting the interior mechanism;

FIG. 11 is a perspective view of state where a cover is detached;

FIG. 12 is a perspective view of the front, right, and top side of a remote controller showing a second embodiment of my new design;

FIG. 13 is a front view thereof;

FIG. 14 is a rear view thereof;

FIG. 15 is a left side view thereof;

FIG. 16 is a right side view thereof;

FIG. 17 is a top plan view thereof;

FIG. 18 is a bottom view thereof;

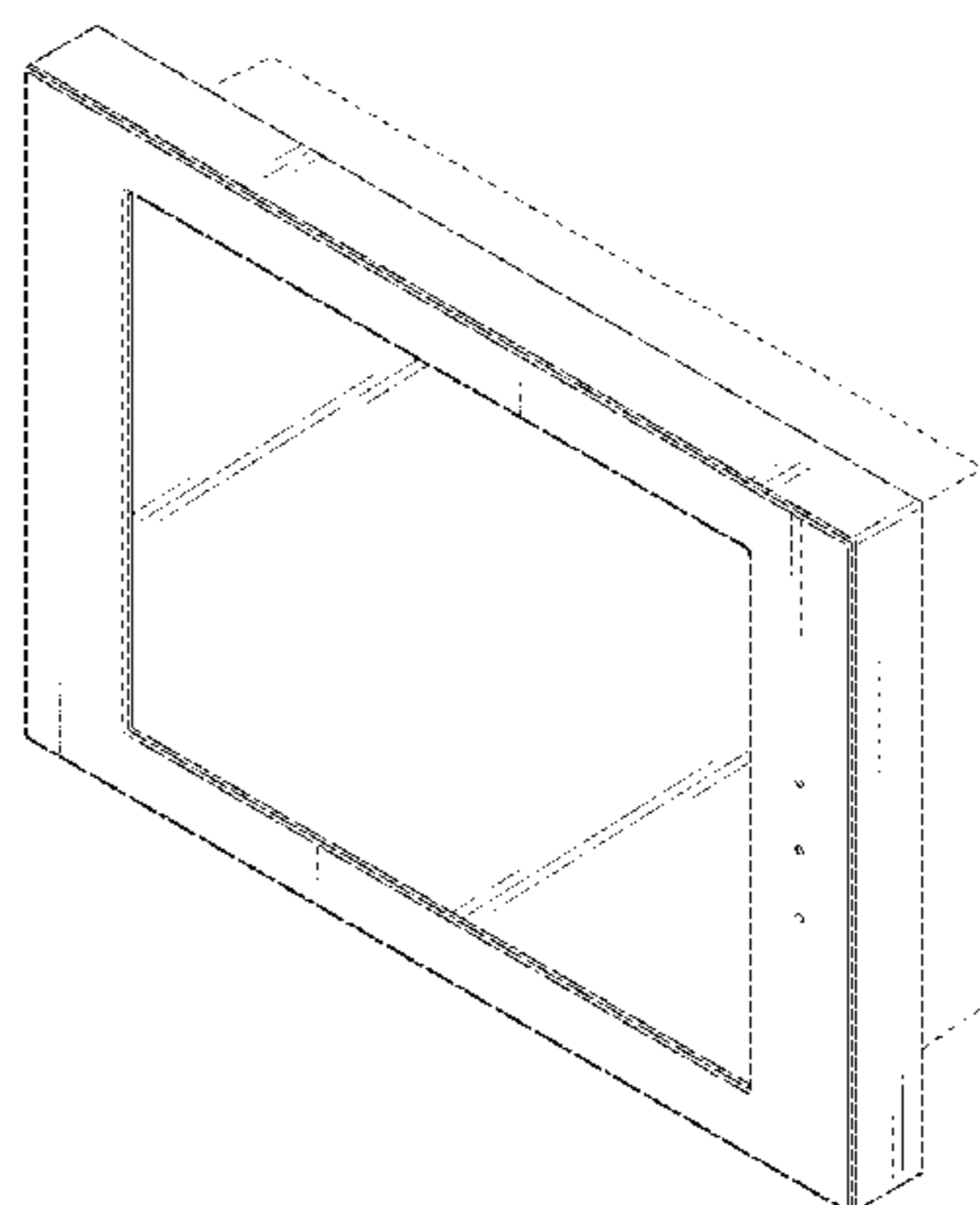
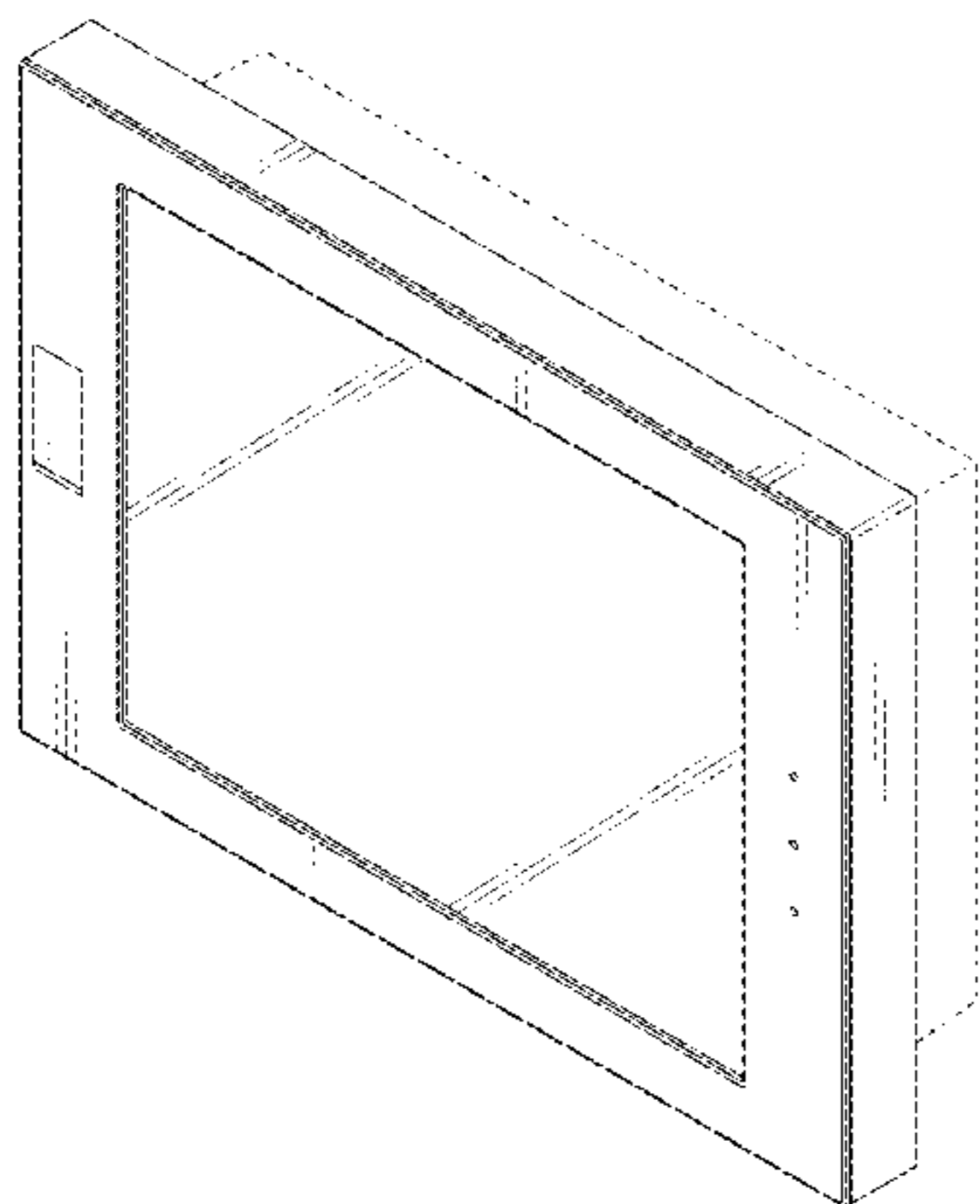
FIG. 19 is a cross-sectional end view at a line 19-19 shown in FIG. 13 with omitting the interior mechanism;

FIG. 20 is a cross-sectional end view at a line 20-20 shown in FIG. 13 with omitting the interior mechanism; and,

FIG. 21 is a perspective view in state where a cover is detached.

The broken lines shown represent unclaimed subject matter of remote controller and form no part of the claimed design.

1 Claim, 16 Drawing Sheets



(56)

References Cited

U.S. PATENT DOCUMENTS

D625,928 S *	10/2010	Lee et al.	D6/308	2006/0055681 A1 *	3/2006	West et al.	345/173
D630,169 S *	1/2011	Nakai et al.	D13/168	2006/0161270 A1 *	7/2006	Luskin et al.	700/22
8,149,222 B2 *	4/2012	Hsieh et al.	345/173	2009/0143880 A1 *	6/2009	Amundson et al.	700/83
D664,513 S *	7/2012	Laube et al.	D14/126	2009/0174996 A1 *	7/2009	Park	361/679.21
D684,872 S *	6/2013	Bias et al.	D10/49	2010/0106305 A1 *	4/2010	Pavlak et al.	700/276
D690,661 S *	10/2013	Wisniewski et al.	D13/162	2013/0161489 A1 *	6/2013	Gardner, Jr.	250/208.1
D694,195 S *	11/2013	Gammon et al.	D13/162	2013/0184880 A1 *	7/2013	McMahon	700/286
D696,636 S *	12/2013	Sakai	D13/168	2013/0204406 A1 *	8/2013	Andersson et al.	700/83
D727,271 S *	4/2015	Shi et al.	D13/162	2013/0314347 A1 *	11/2013	Muraoka et al.	345/173
D727,857 S *	4/2015	Acera et al.	D13/162	2014/0043256 A1 *	2/2014	Wu et al.	345/173
D729,793 S *	5/2015	Hickok et al.	D14/336	2014/0070707 A1 *	3/2014	Nagazoe	315/151
2004/0095332 A1 *	5/2004	Blanchard	345/173	2014/0074296 A1 *	3/2014	Yum et al.	700/275
2004/0164966 A1 *	8/2004	Lee	345/173	2014/0172128 A1 *	6/2014	Johnson et al.	700/83
				2014/0184978 A1 *	7/2014	Yu et al.	349/58
				2015/0076991 A1 *	3/2015	Yamamoto et al.	315/153

* cited by examiner

Fig. 1

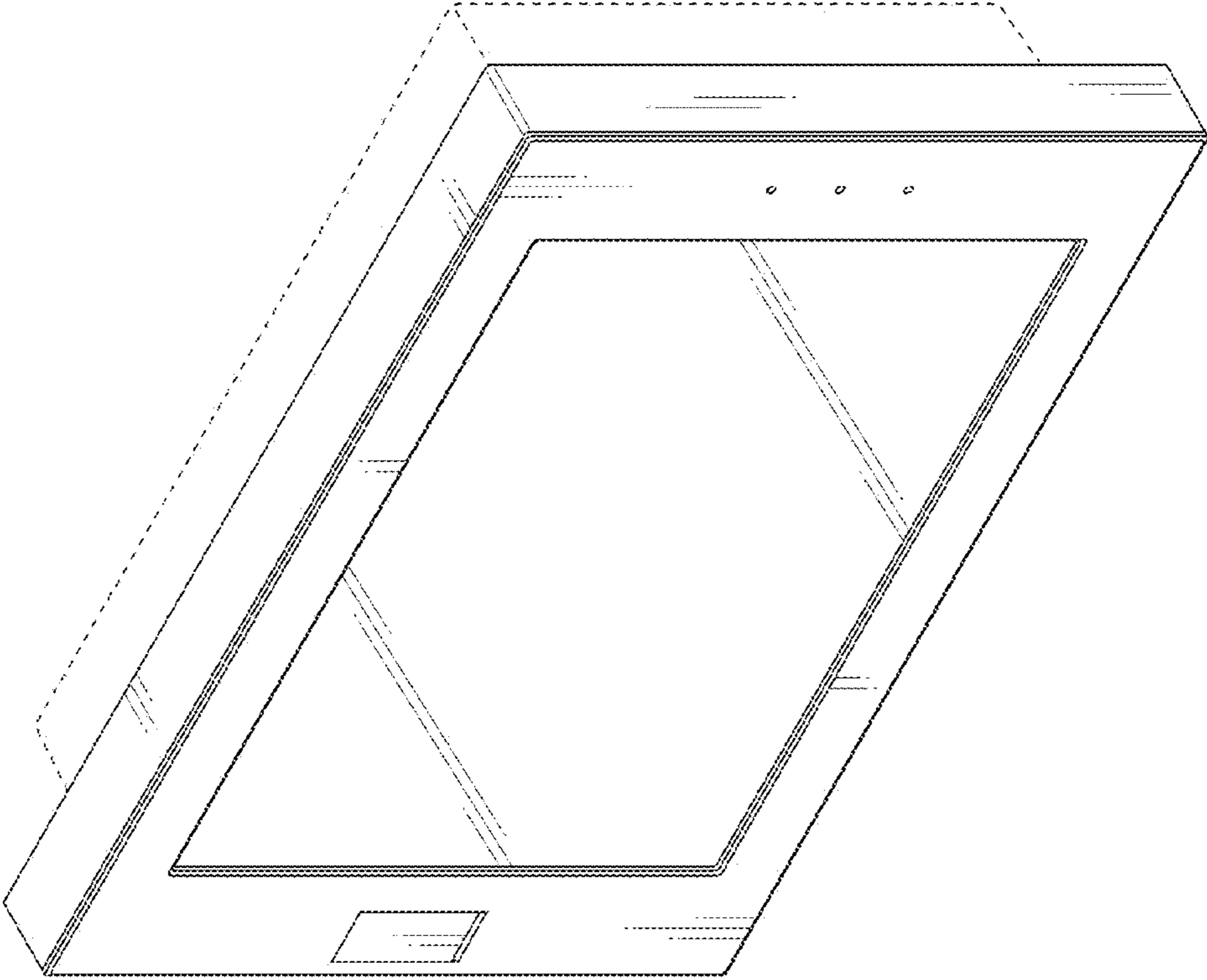


Fig. 2

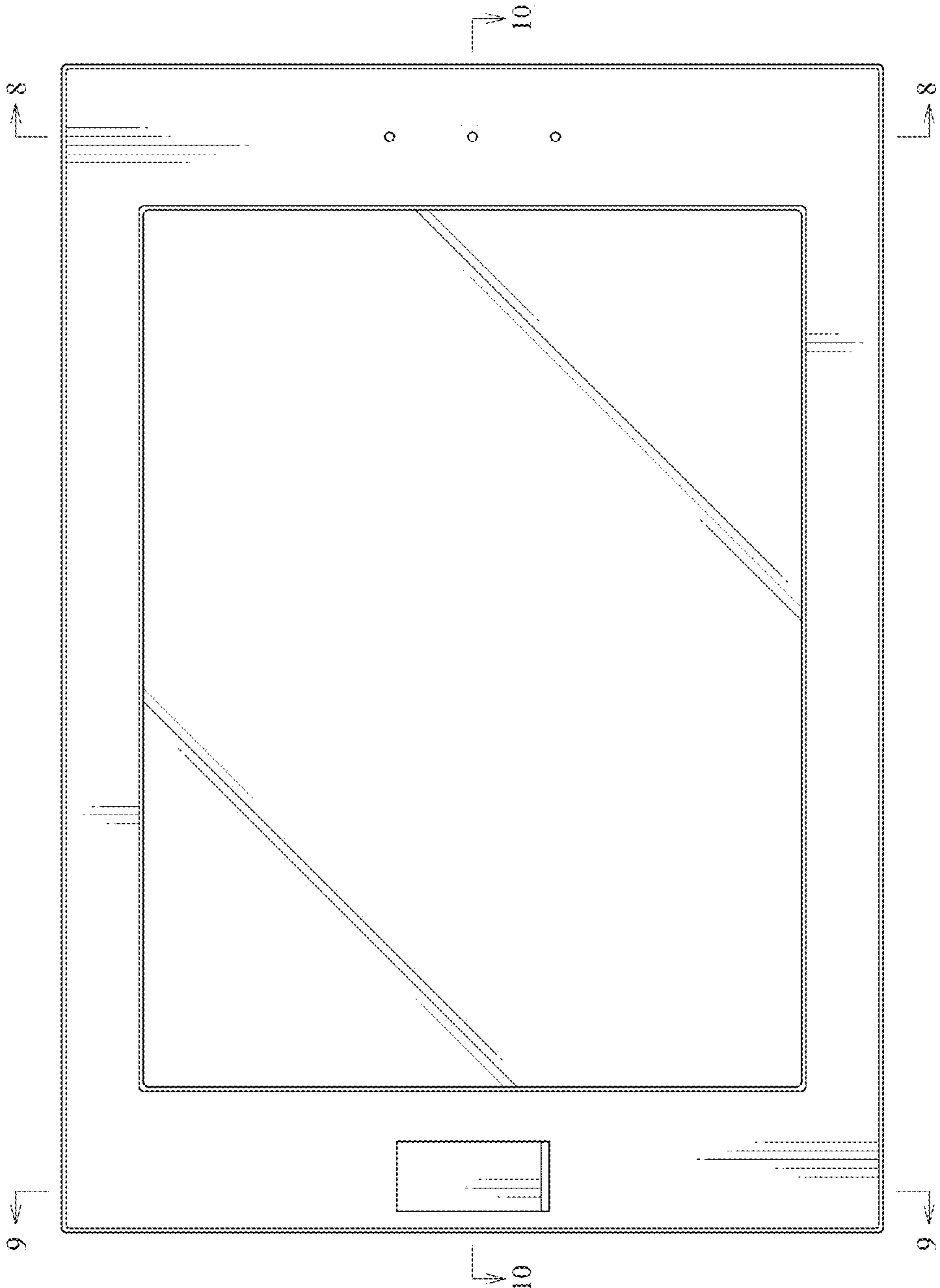


Fig. 3

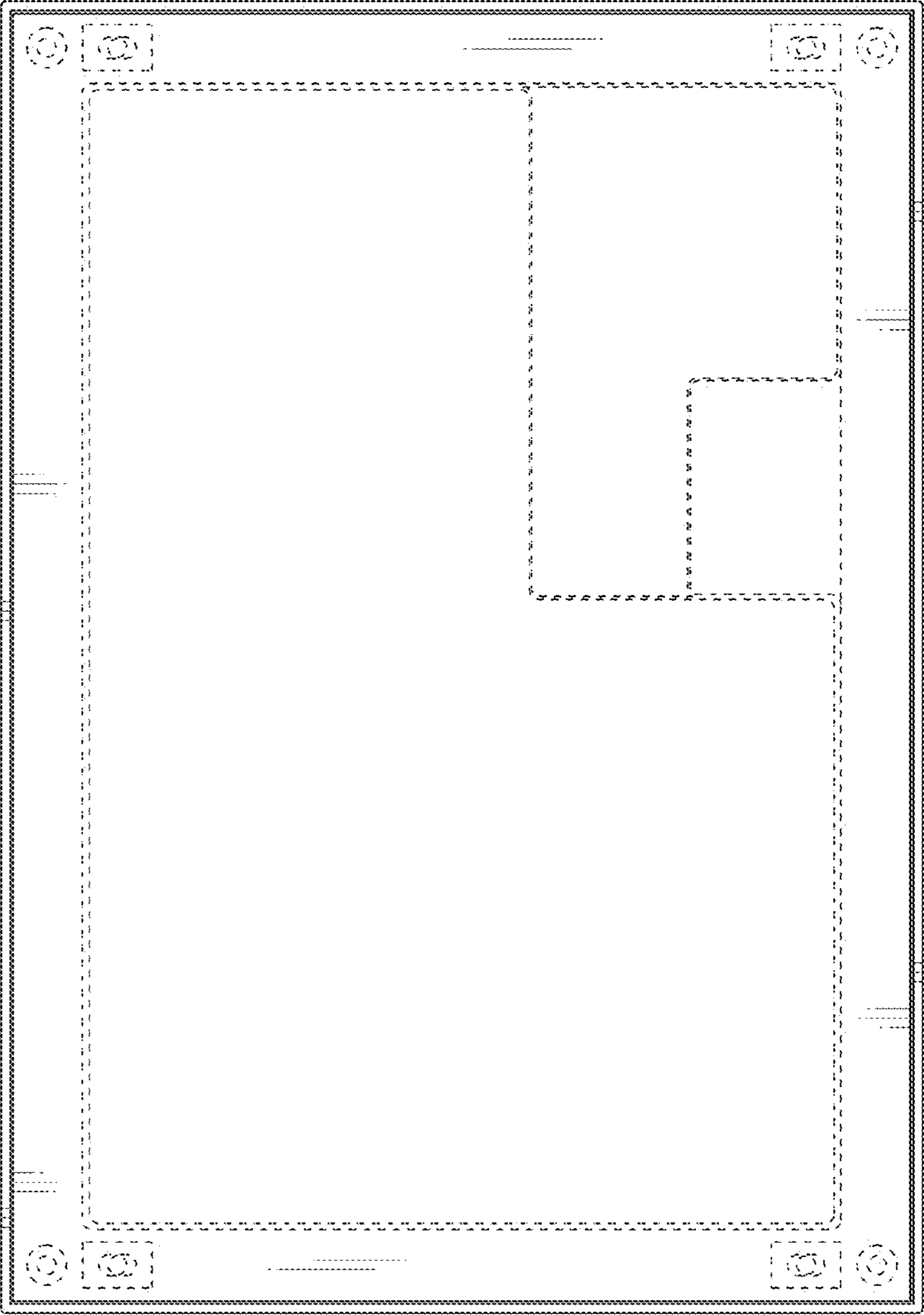


Fig. 5

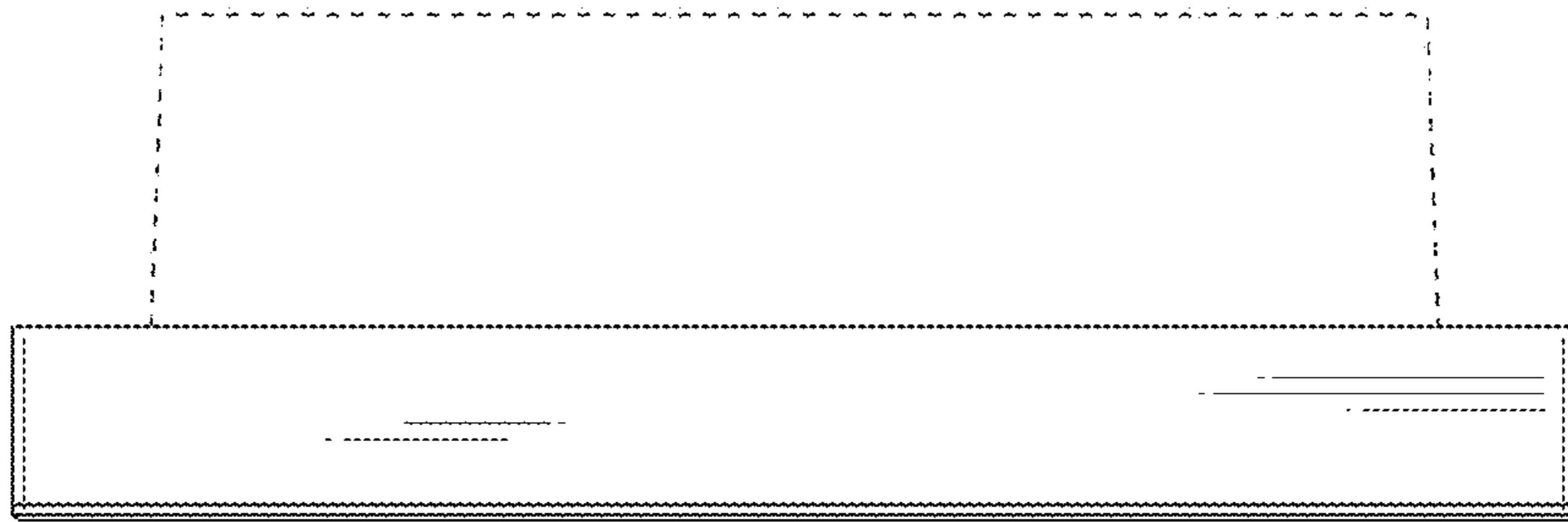


Fig. 4

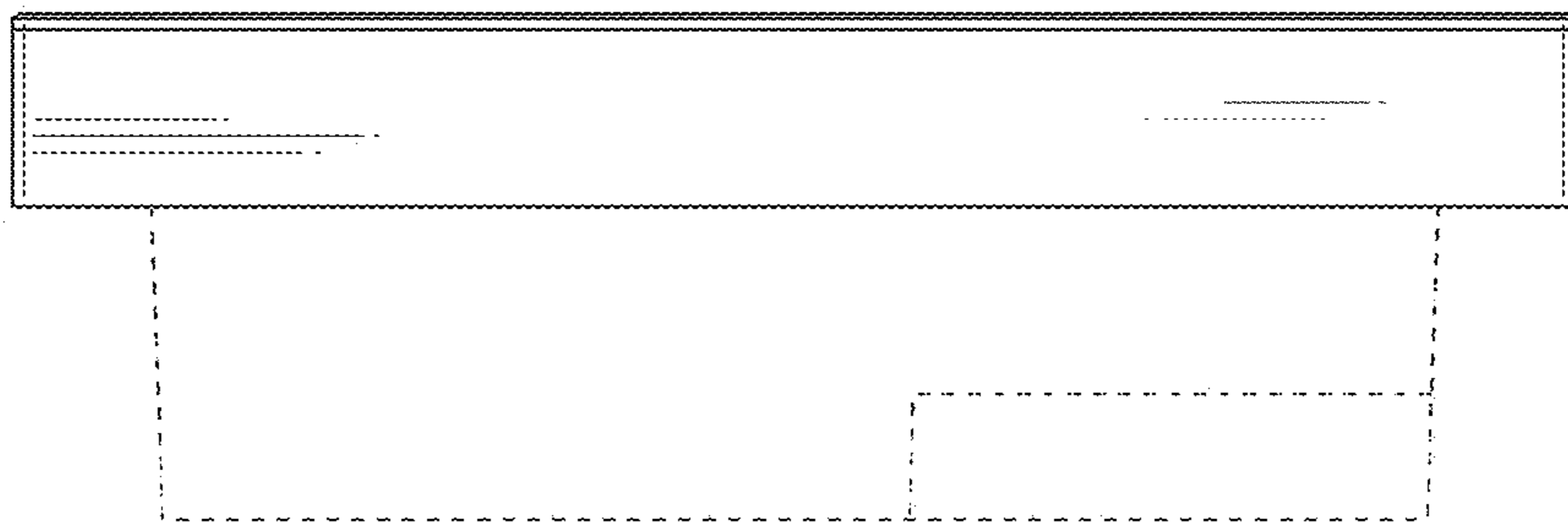


Fig. 6

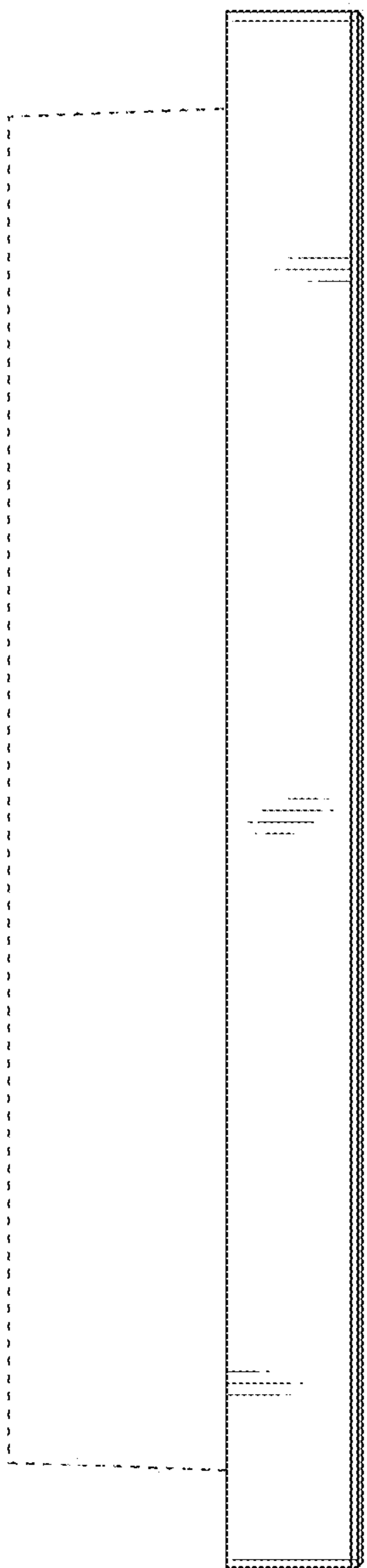


Fig. 7

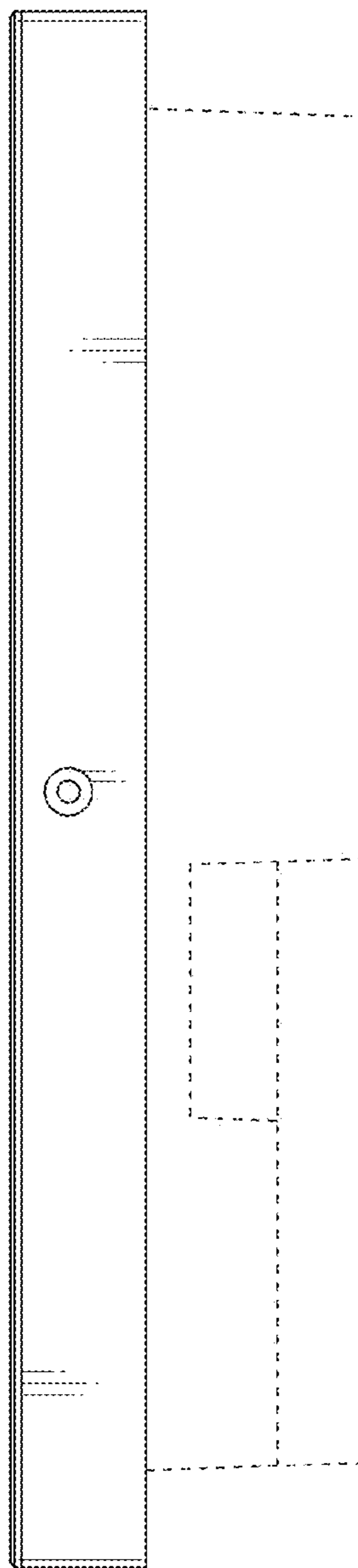


Fig. 9

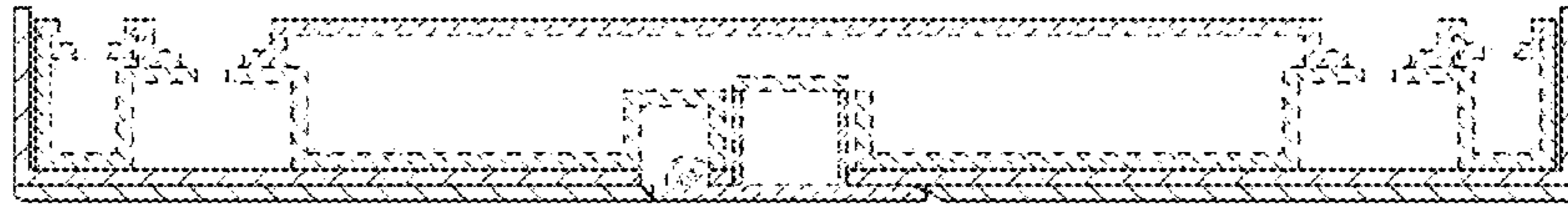


Fig. 8

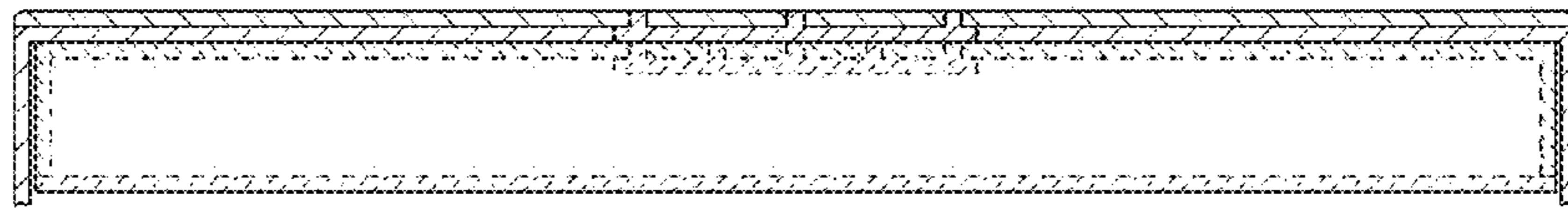
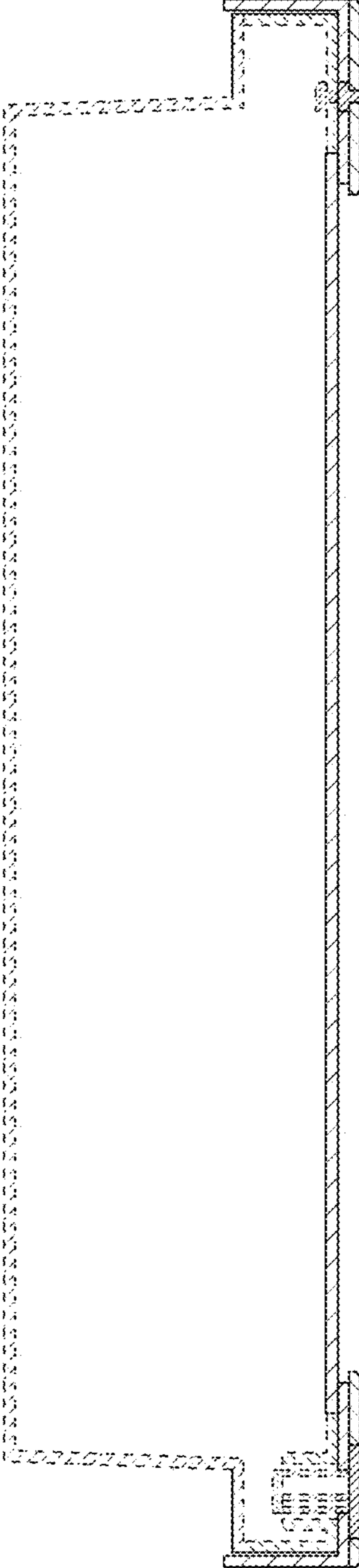


Fig. 10



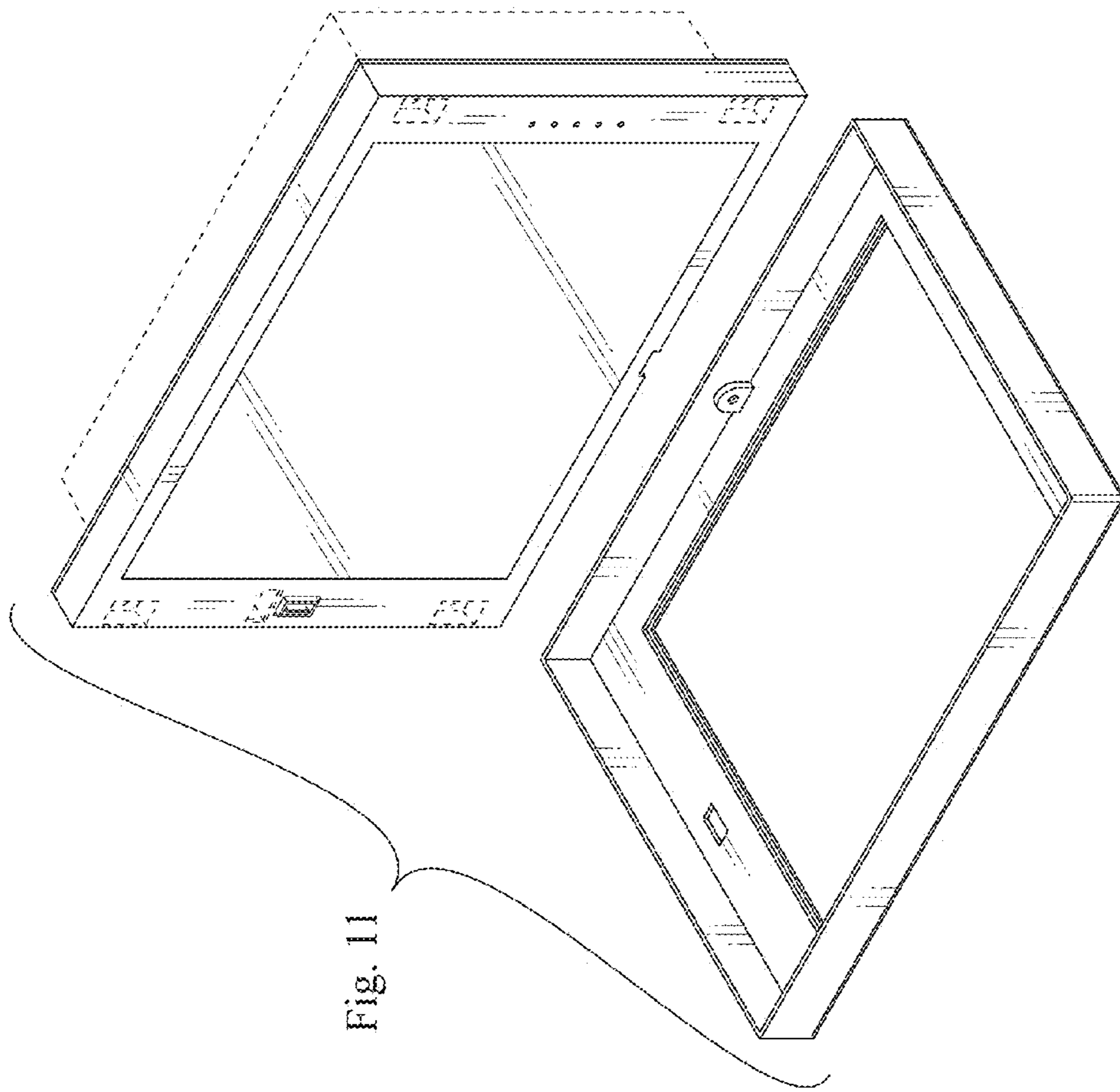


Fig. 11

Fig. 12

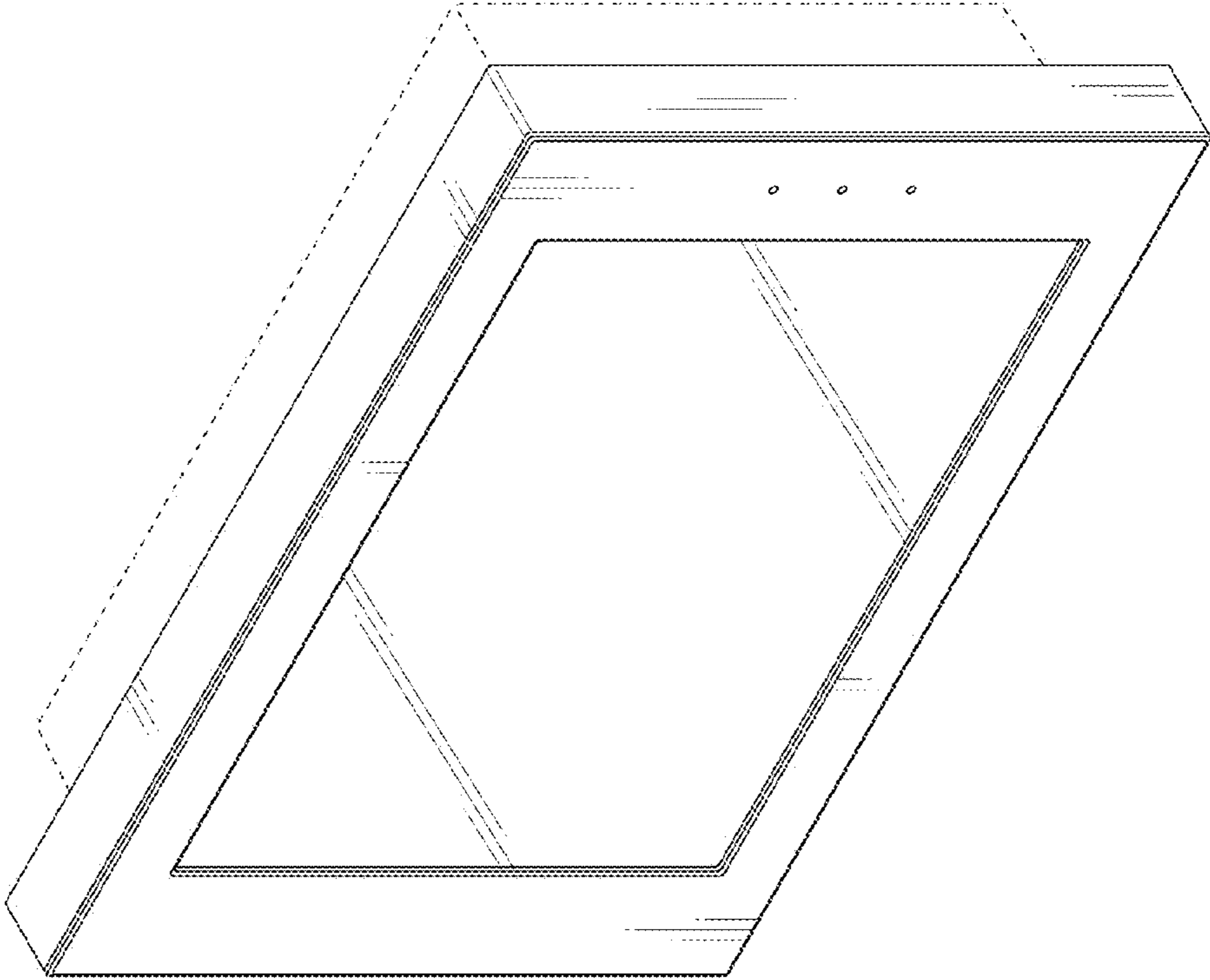


Fig. 13

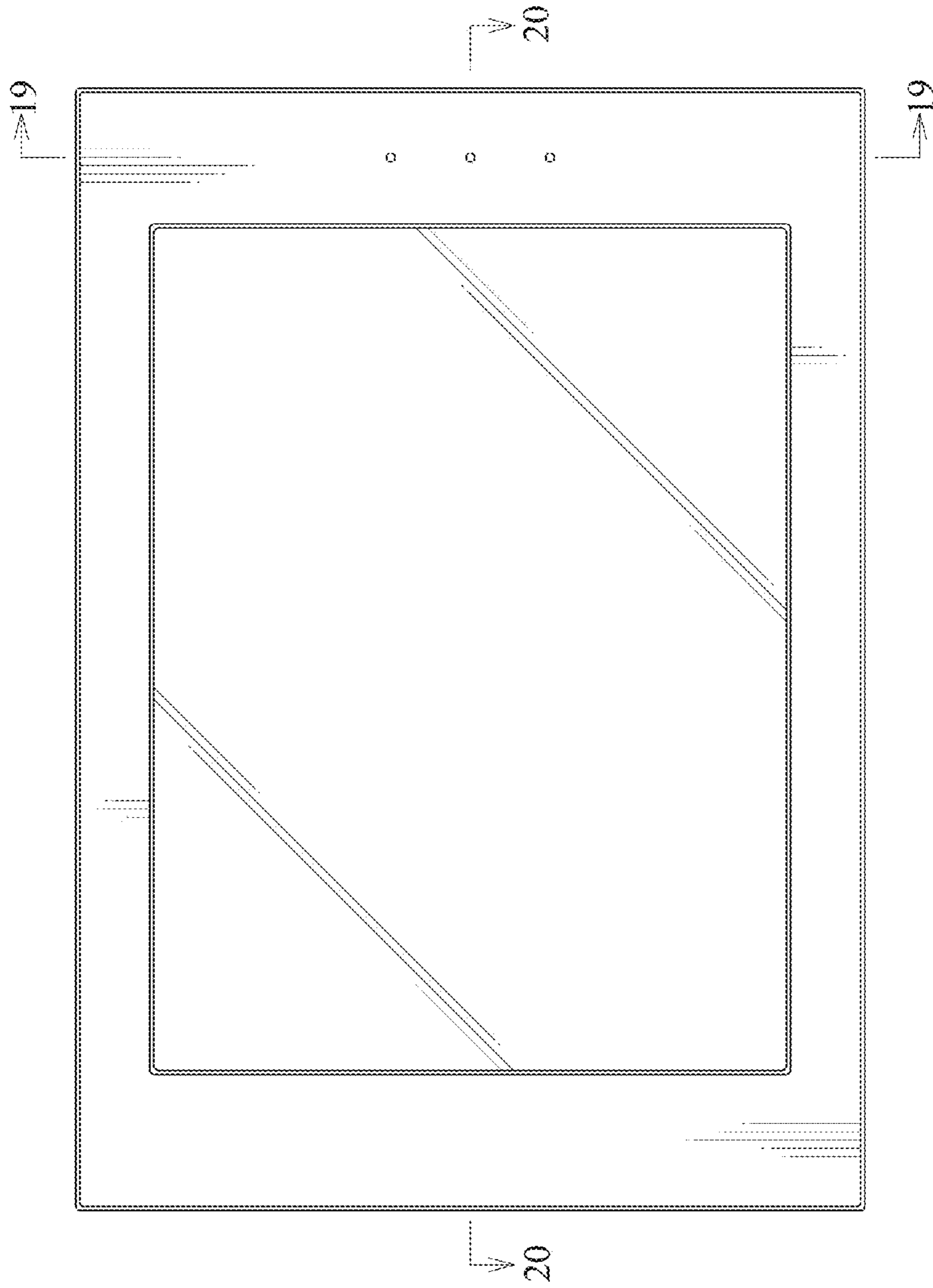


Fig. 14

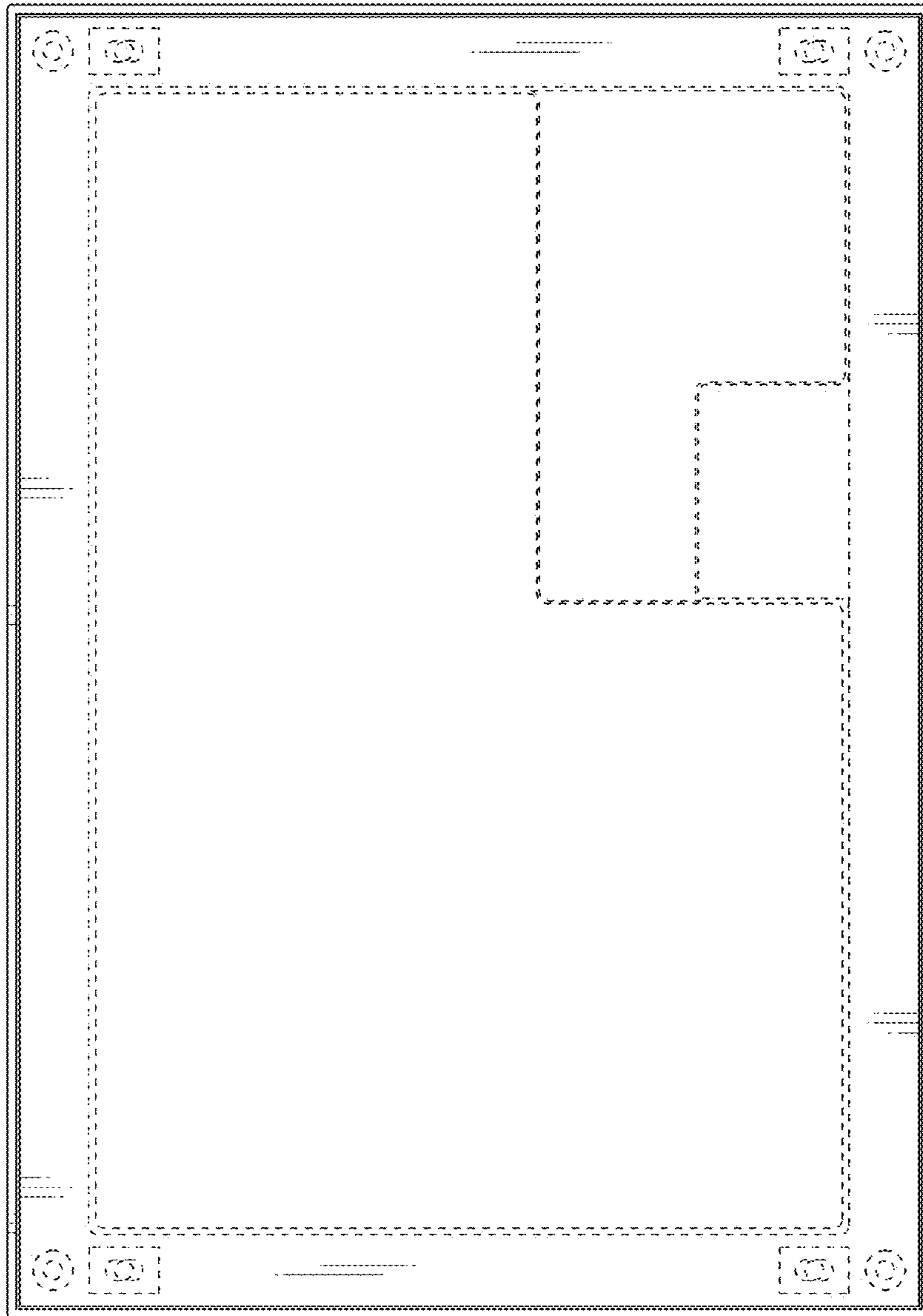


Fig. 16

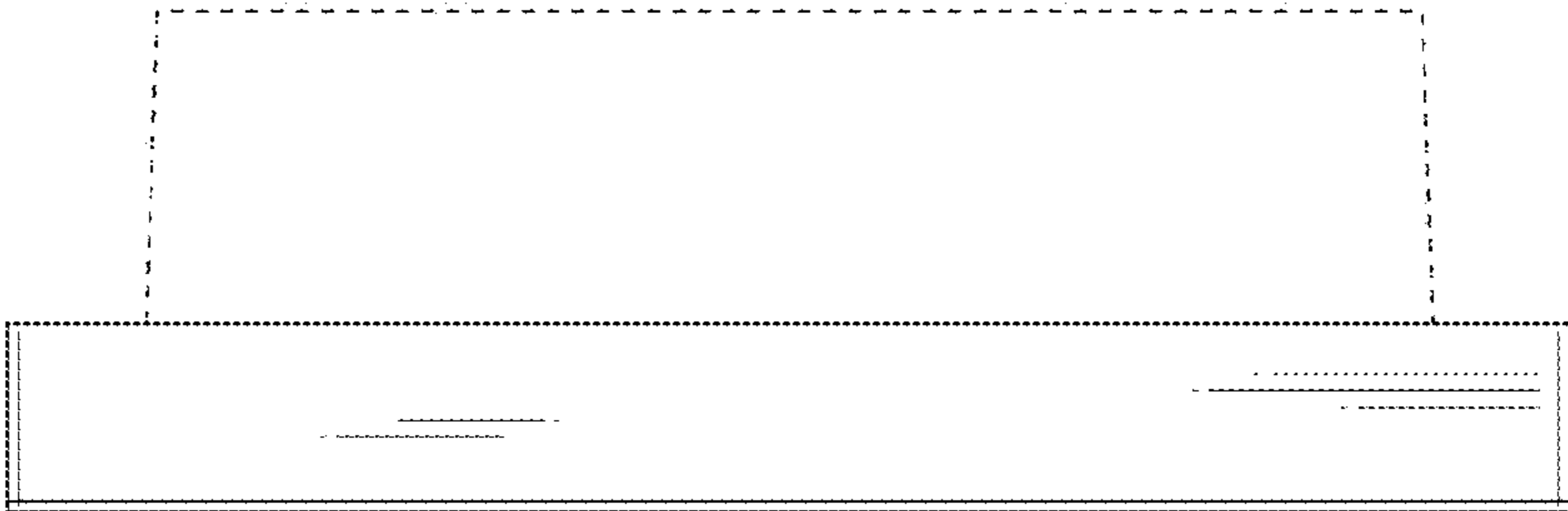


Fig. 15

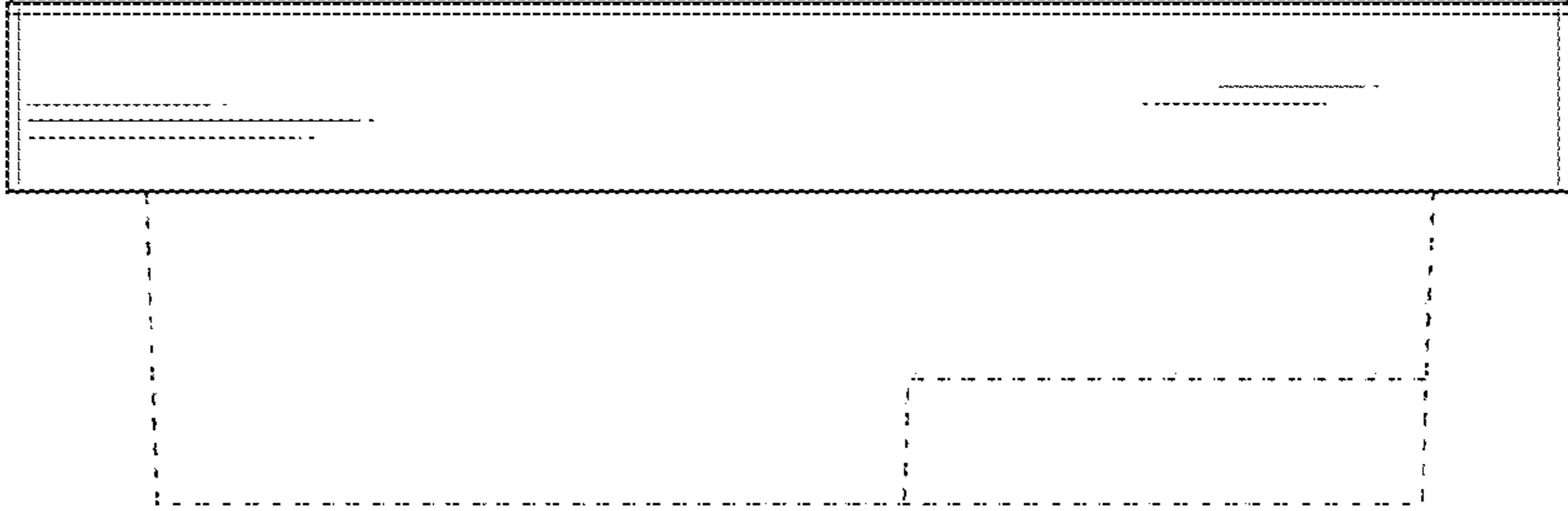


Fig. 17

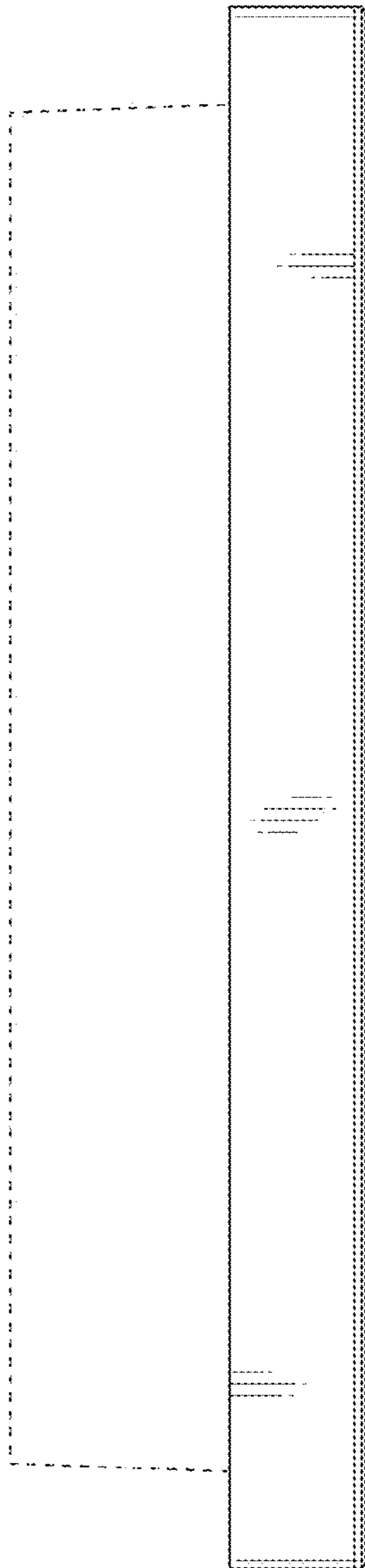


Fig. 18

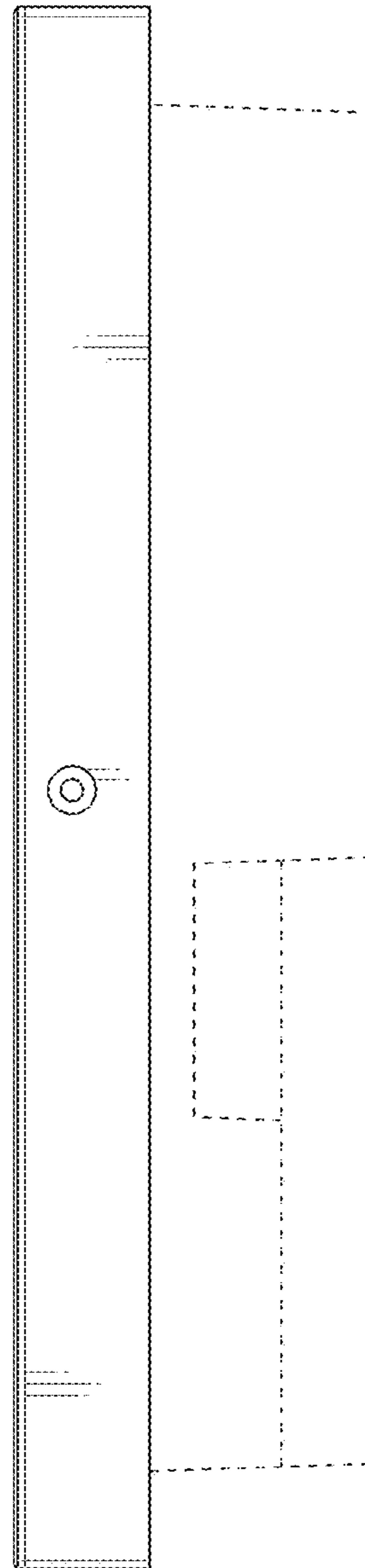


Fig. 19

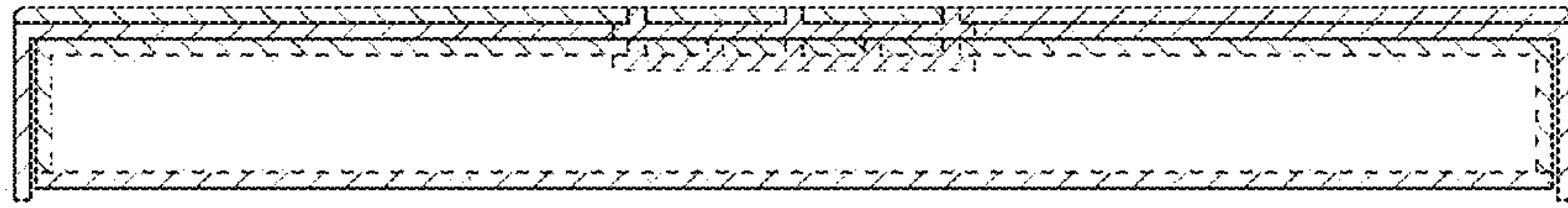
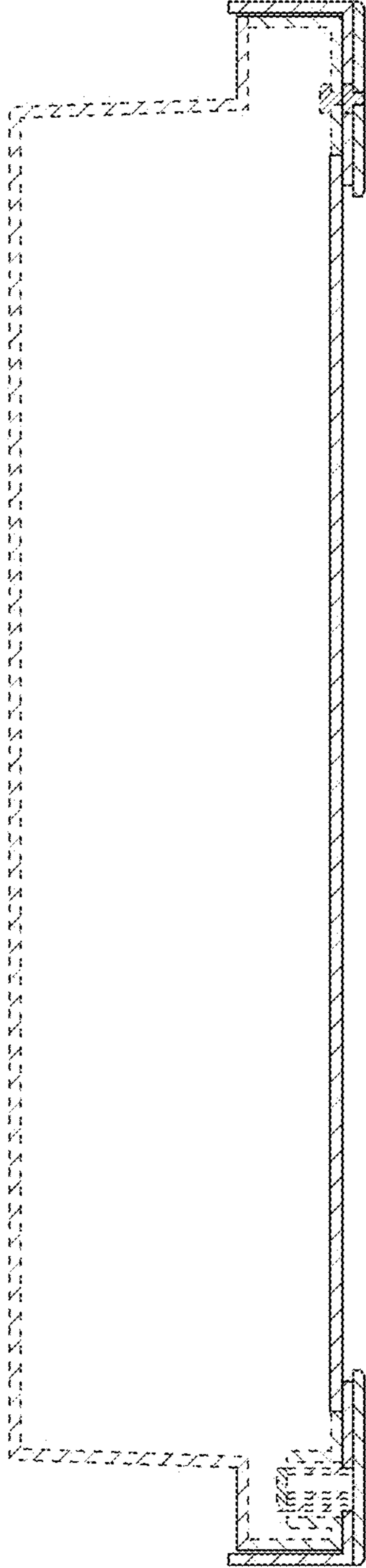


Fig. 20



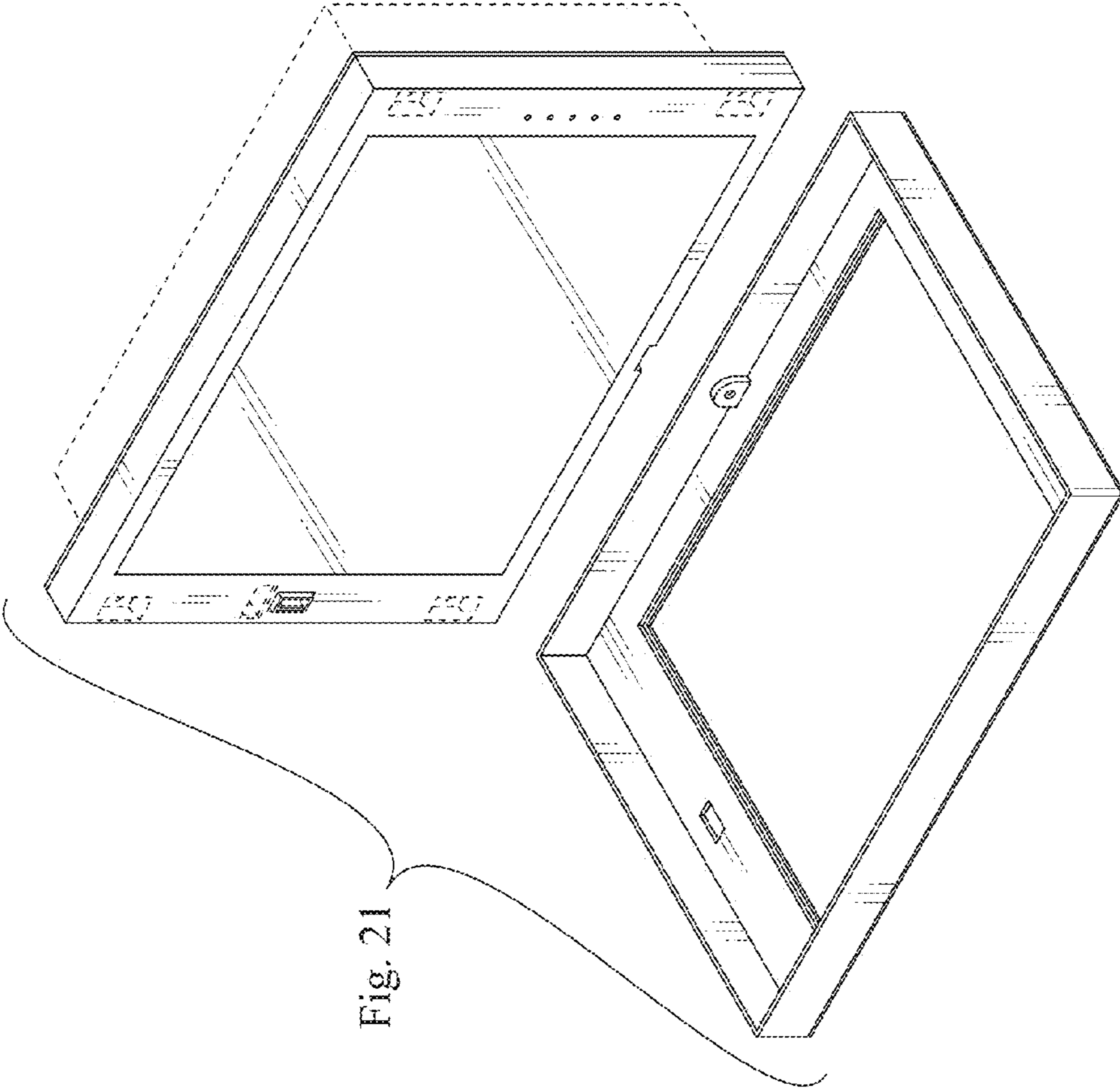


Fig. 21