



US00D742333S

(12) **United States Design Patent**  
**Engblom et al.**

(10) **Patent No.:** **US D742,333 S**  
(45) **Date of Patent:** **\*\* Nov. 3, 2015**

(54) **HUMAN MACHINE INTERFACE FOR A SOFTSTARTER**

(71) Applicants: **Goran Engblom**, Vasteras (SE); **Lars X. Eriksson**, Vasteras (SE); **Torbjorn Persson**, Vasteras (SE); **Chaopeng Li**, Jiangmen (CN)

(72) Inventors: **Goran Engblom**, Vasteras (SE); **Lars X. Eriksson**, Vasteras (SE); **Torbjorn Persson**, Vasteras (SE); **Chaopeng Li**, Jiangmen (CN)

(73) Assignee: **ABB Technology Ltd** (CH)

(\*\*) Term: **14 Years**

(21) Appl. No.: **29/499,562**

(22) Filed: **Aug. 15, 2014**

(30) **Foreign Application Priority Data**

Feb. 17, 2014 (EM) ..... 002406157-0001

(51) **LOC (10) Cl.** ..... **13-03**

(52) **U.S. Cl.**  
USPC ..... **D13/162**

(58) **Field of Classification Search**  
USPC ..... D13/113, 158, 162, 164  
CPC ..... G05B 19/409; G05B 2219/23406;  
G08C 17/02; H02P 1/16; H02M 7/003;  
H02M 1/36; H05K 7/1432  
See application file for complete search history.

(56) **References Cited**

**U.S. PATENT DOCUMENTS**

5,610,493 A \* 3/1997 Wieloch ..... 318/801  
5,666,268 A \* 9/1997 Rix et al. .... 361/692  
D406,830 S \* 3/1999 Herbstritt et al. .... D13/162  
6,091,604 A \* 7/2000 Plougsaard et al. .... 361/707

D450,305 S \* 11/2001 Masuzoe et al. .... D13/168  
6,351,113 B1 \* 2/2002 Becker et al. .... 324/117 H  
D455,399 S \* 4/2002 Imamura et al. .... D13/110  
D489,722 S \* 5/2004 Matuschek ..... D14/388  
D508,467 S \* 8/2005 Decosse ..... D13/162  
D511,150 S \* 11/2005 Nurmi et al. .... D13/184  
D512,026 S \* 11/2005 Nurmi et al. .... D13/162  
7,201,310 B2 \* 4/2007 Kawamata ..... 235/375  
D555,115 S \* 11/2007 Dornauer et al. .... D13/184  
D555,602 S \* 11/2007 Park et al. .... D13/162  
D560,608 S \* 1/2008 Dornauer et al. .... D13/113  
D608,302 S \* 1/2010 Liu ..... D13/164  
D612,339 S \* 3/2010 Braun et al. .... D13/168  
D618,182 S \* 6/2010 Stiles et al. .... D13/164  
D647,844 S \* 11/2011 Engblom et al. .... D13/113  
D647,845 S \* 11/2011 Engblom et al. .... D13/113  
D647,846 S \* 11/2011 Engblom et al. .... D13/113  
8,436,559 B2 \* 5/2013 Kidd et al. .... 318/34  
2003/0105535 A1 \* 6/2003 Rammler ..... 700/17  
2006/0049793 A1 \* 3/2006 Mayhew ..... 318/800  
2013/0198442 A1 \* 8/2013 Braun et al. .... 711/103  
2015/0077955 A1 \* 3/2015 Tio et al. .... 361/752

\* cited by examiner

*Primary Examiner* — Selina Sikder

(74) *Attorney, Agent, or Firm* — Whitmyer IP Group LLC

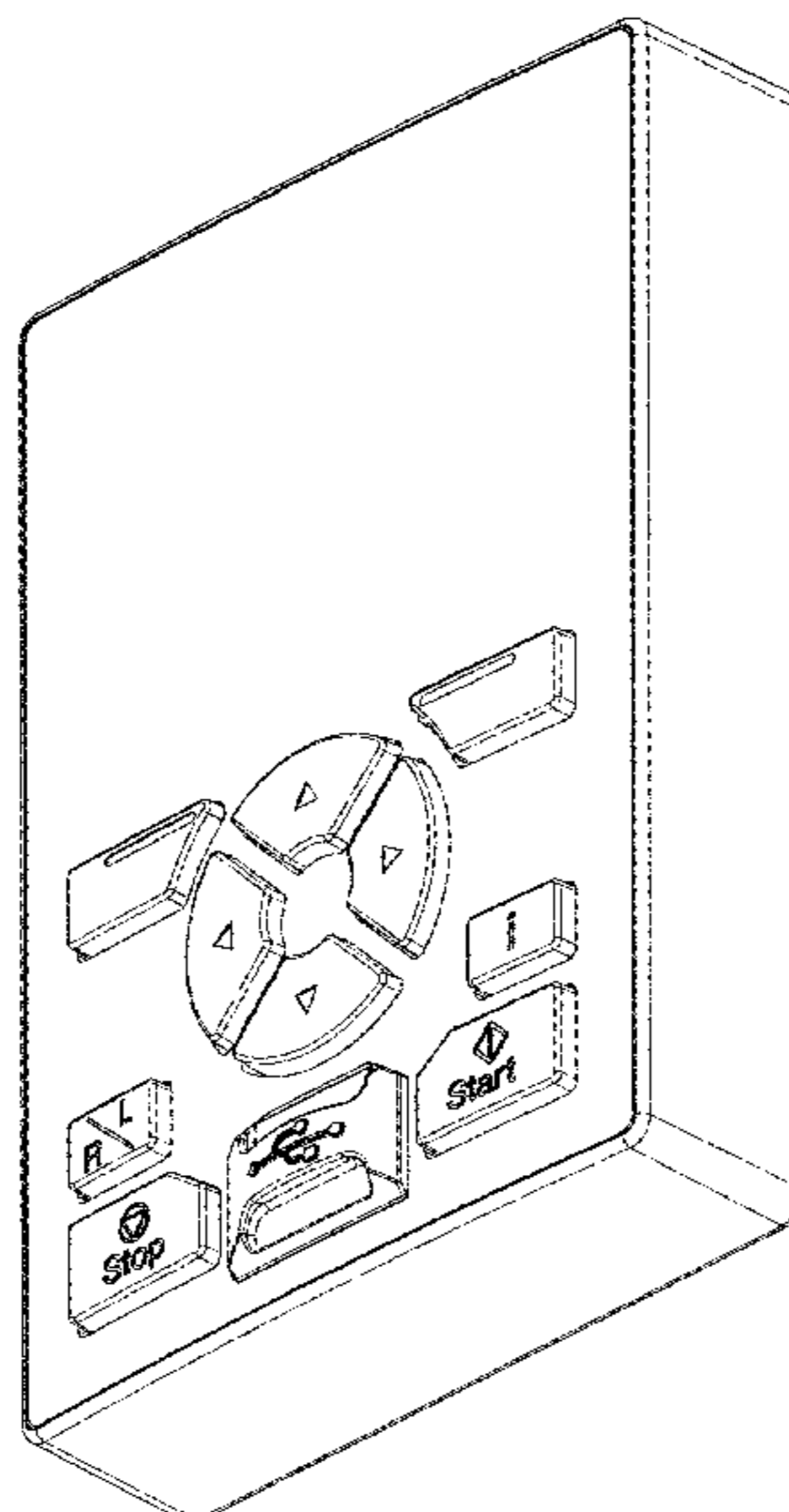
(57) **CLAIM**

The ornamental design for a human machine interface for a softstarter, as shown and described.

**DESCRIPTION**

FIG. 1 is a front left side isometric view of a human machine interface for a softstarter in accordance with the new design; FIG. 2 is a left side elevational view thereof; FIG. 3 is a right side elevational view thereof; FIG. 4 is a front elevational view thereof; FIG. 5 is a rear elevational view thereof wherein the broken lines are shown for illustrative purposes only and forms no part of the claimed design; FIG. 6 is a top plan view thereof; and, FIG. 7 is a bottom plan view thereof.

**1 Claim, 7 Drawing Sheets**



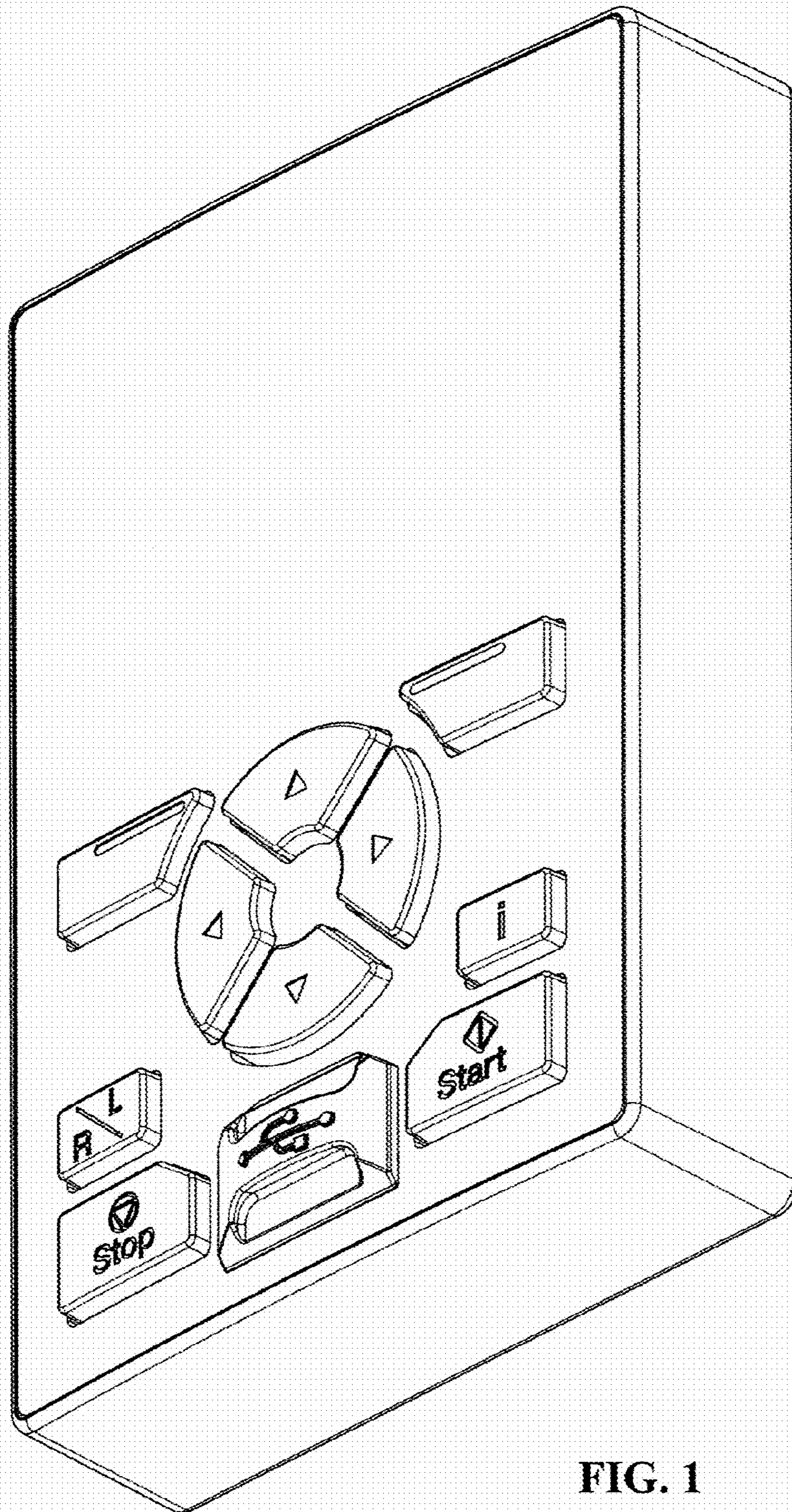


FIG. 1

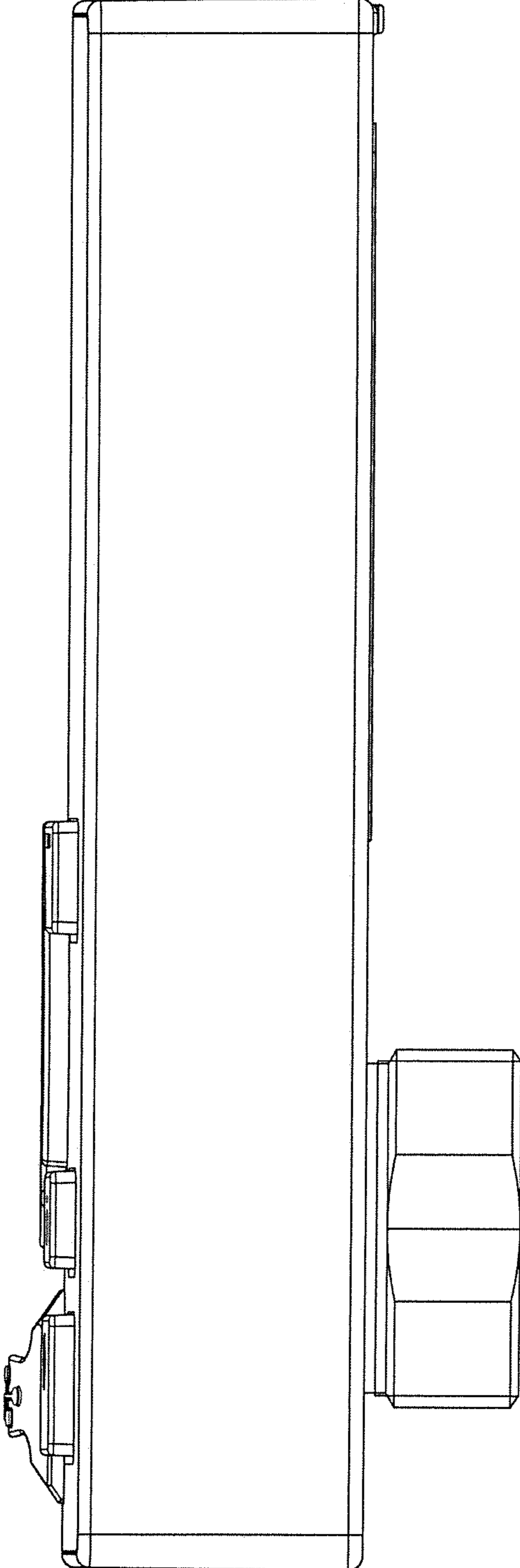


FIG. 2

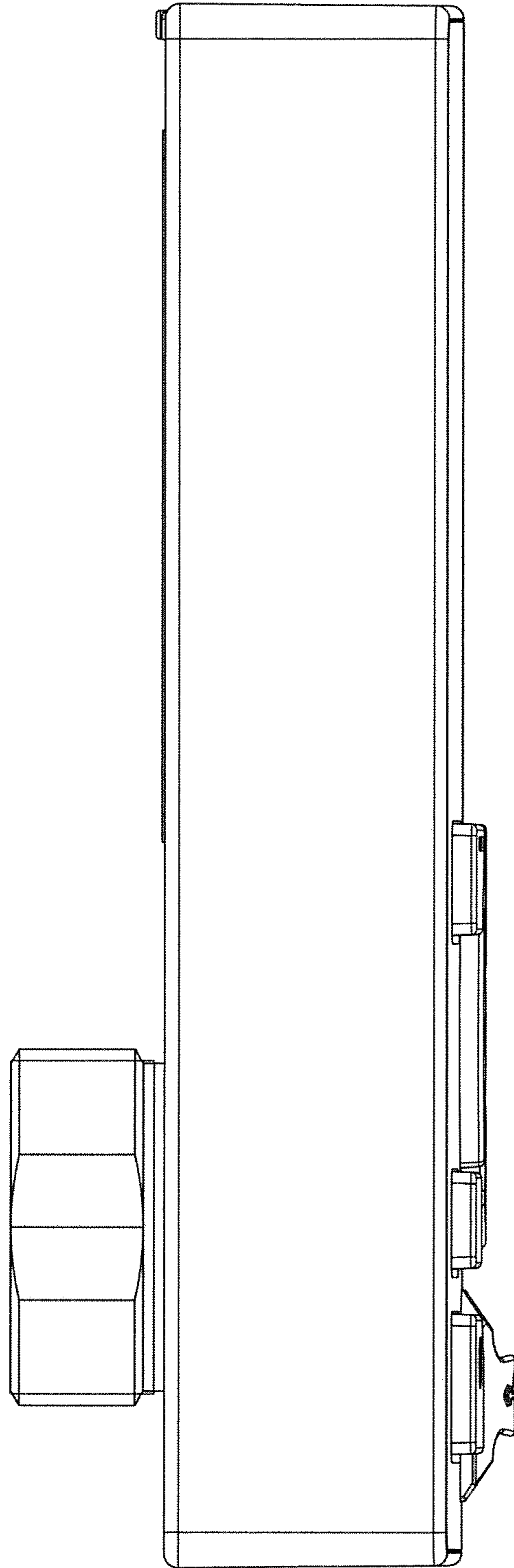


FIG. 3

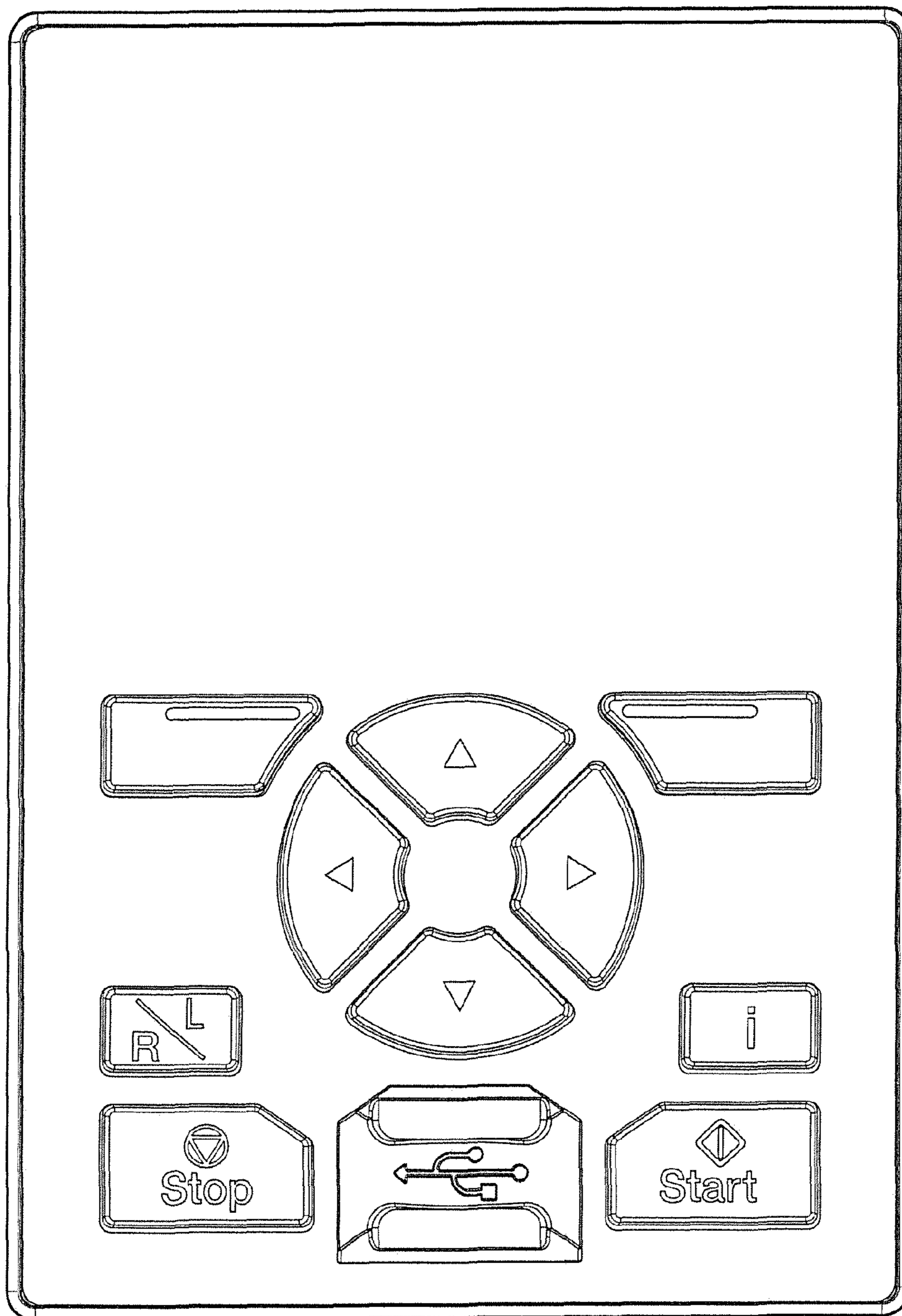


FIG. 4

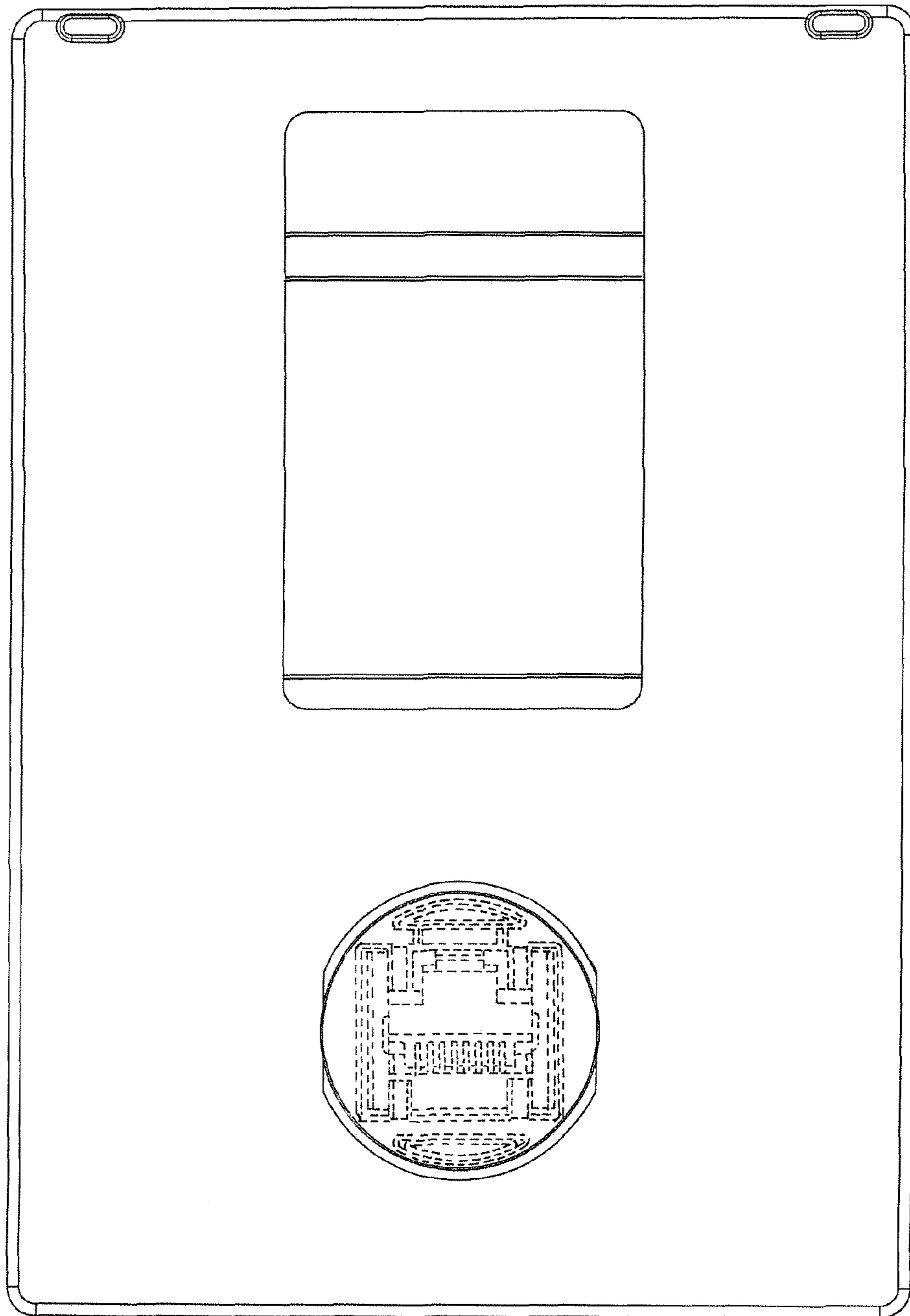


FIG. 5

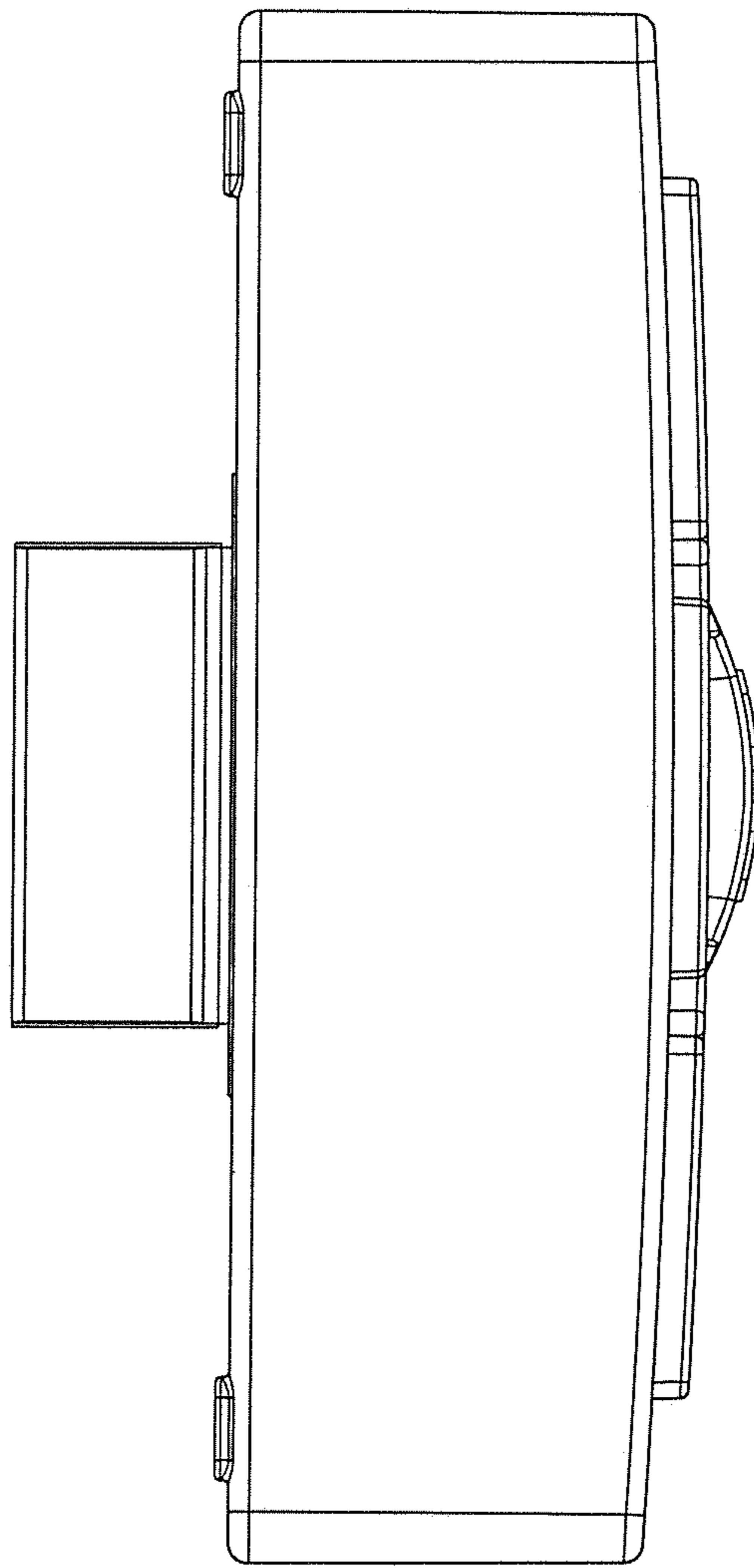


FIG. 6

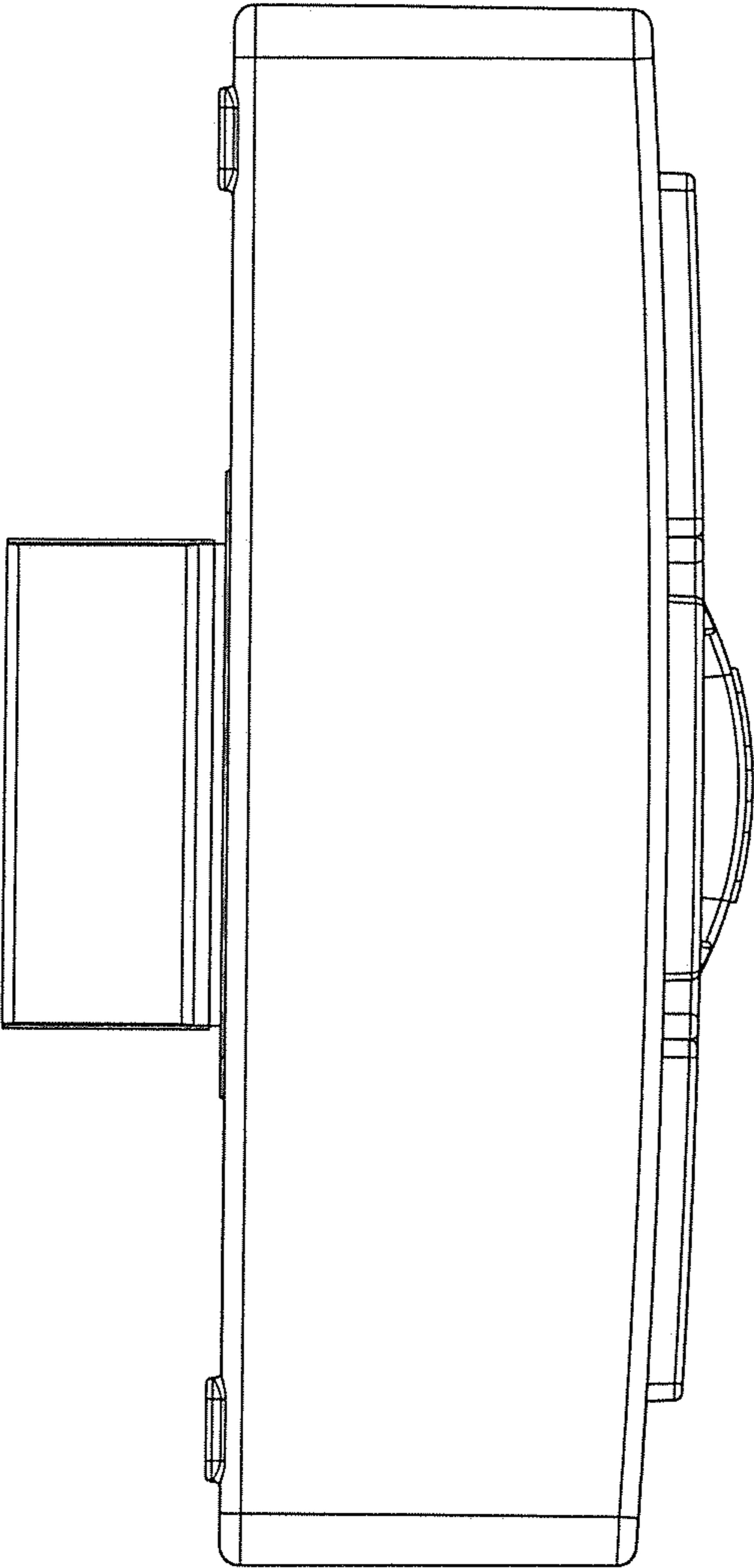


FIG. 7