



US00D742332S

(12) **United States Design Patent**
Matsuguma et al.

(10) **Patent No.:** **US D742,332 S**

(45) **Date of Patent:** **** Nov. 3, 2015**

(54) **CONTROL PANEL**

(71) Applicant: **Espec Corp.**, Osaka-shi, Osaka (JP)

(72) Inventors: **Osamu Matsuguma**, Osaka (JP);
Yasushi Watanabe, Osaka (JP)

(73) Assignee: **Espec Corp.**, Osaka-shi (JP)

(**) Term: **14 Years**

(21) Appl. No.: **29/498,682**

(22) Filed: **Aug. 6, 2014**

(30) **Foreign Application Priority Data**

Feb. 7, 2014 (JP) 2014-002507

(51) **LOC (10) Cl.** **13-03**

(52) **U.S. Cl.**
USPC **D13/162**

(58) **Field of Classification Search**
USPC D13/158, 162, 164; D10/49, 50, 52, 60;
D14/388; D15/138; 73/865.6

CPC G05B 15/00; G05B 15/02; G05B 19/00;
G05B 19/0405; G05B 19/0426; G05B 19/409;
G01N 17/002; H01H 2071/006

See application file for complete search history.

(56) **References Cited**

U.S. PATENT DOCUMENTS

D390,134 S * 2/1998 Ingebritson et al. D10/50
D393,214 S * 4/1998 Ingebritson et al. D10/50
D396,812 S * 8/1998 Kuipers D10/62
5,854,433 A * 12/1998 Patel et al. 73/865.6
D404,391 S * 1/1999 Herbstritt et al. D13/162
6,360,621 B1 * 3/2002 Eldred et al. 73/865.6

D548,702 S * 8/2007 Girard D13/162
D558,152 S * 12/2007 Tatsuyama et al. D13/162
D607,843 S * 1/2010 Borax D13/162
D611,005 S * 3/2010 Lanfear et al. D13/162
D710,312 S * 8/2014 Branson et al. D13/162
2007/0013543 A1 * 1/2007 Chai 340/825.56
2010/0005911 A1 * 1/2010 Scott et al. 73/865.6
2010/0296221 A1 * 11/2010 Shah et al. 361/170
2013/0062172 A1 * 3/2013 Shvach et al. 200/308
2014/0150574 A1 * 6/2014 Matsuguma et al. 73/865.6
2014/0318283 A1 * 10/2014 Alfekri et al. 73/865.6
2015/0090053 A1 * 4/2015 Matsuguma et al. 73/865.6

FOREIGN PATENT DOCUMENTS

JP 1415856 S 6/2011

* cited by examiner

Primary Examiner — Selina Sikder

(74) *Attorney, Agent, or Firm* — Birch, Stewart, Kolasch & Birch, LLP

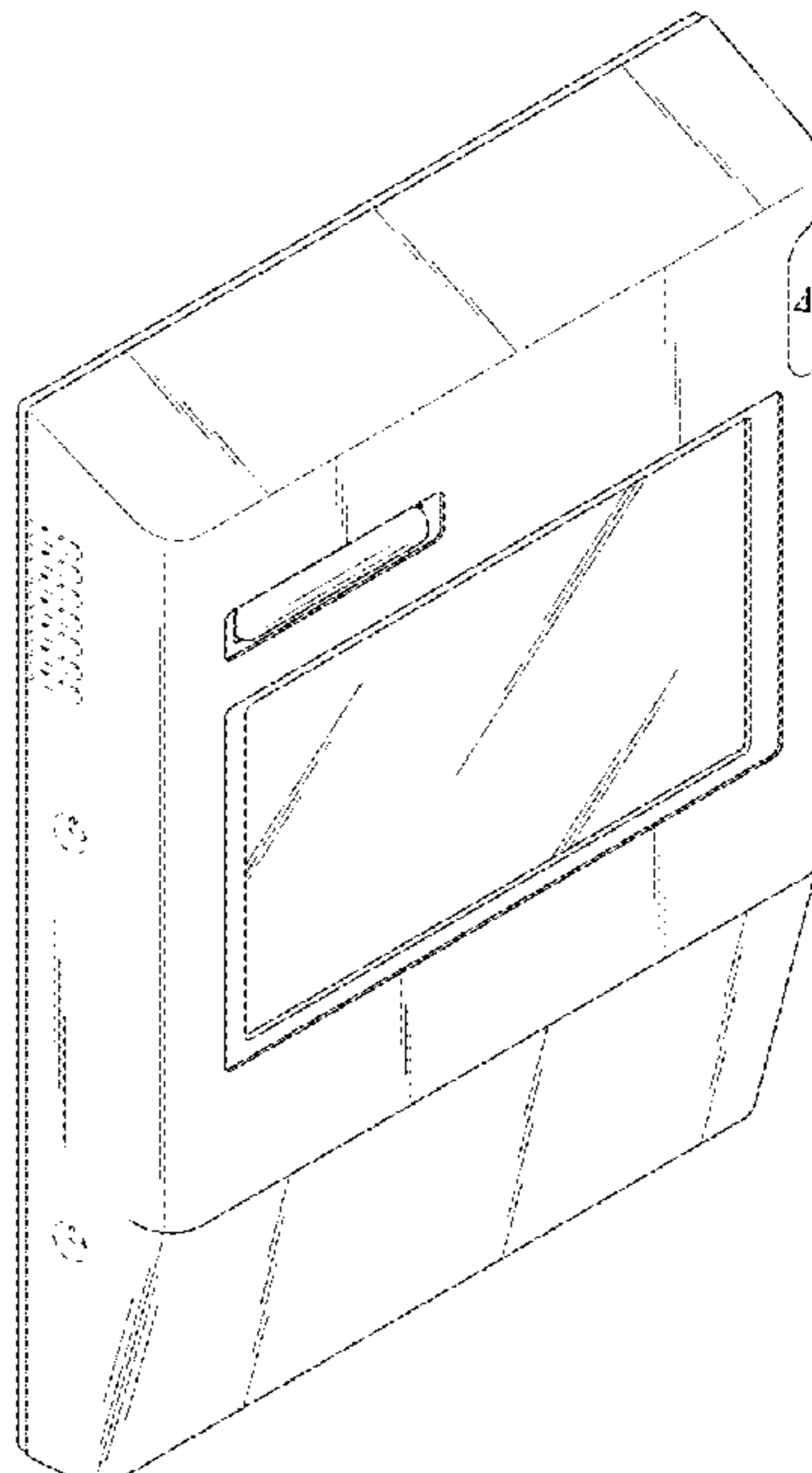
(57) **CLAIM**

The ornamental design for a control panel, as shown and described.

DESCRIPTION

FIG. 1 is a perspective view of a control panel;
FIG. 2 is a front view thereof;
FIG. 3 is a rear view thereof;
FIG. 4 is a left side view thereof;
FIG. 5 is a right side view thereof;
FIG. 6 is a top view thereof; and,
FIG. 7 is a bottom view thereof.
The portion shown by broken lines is for illustrative purposes only and forms no part of the claimed design.

1 Claim, 5 Drawing Sheets



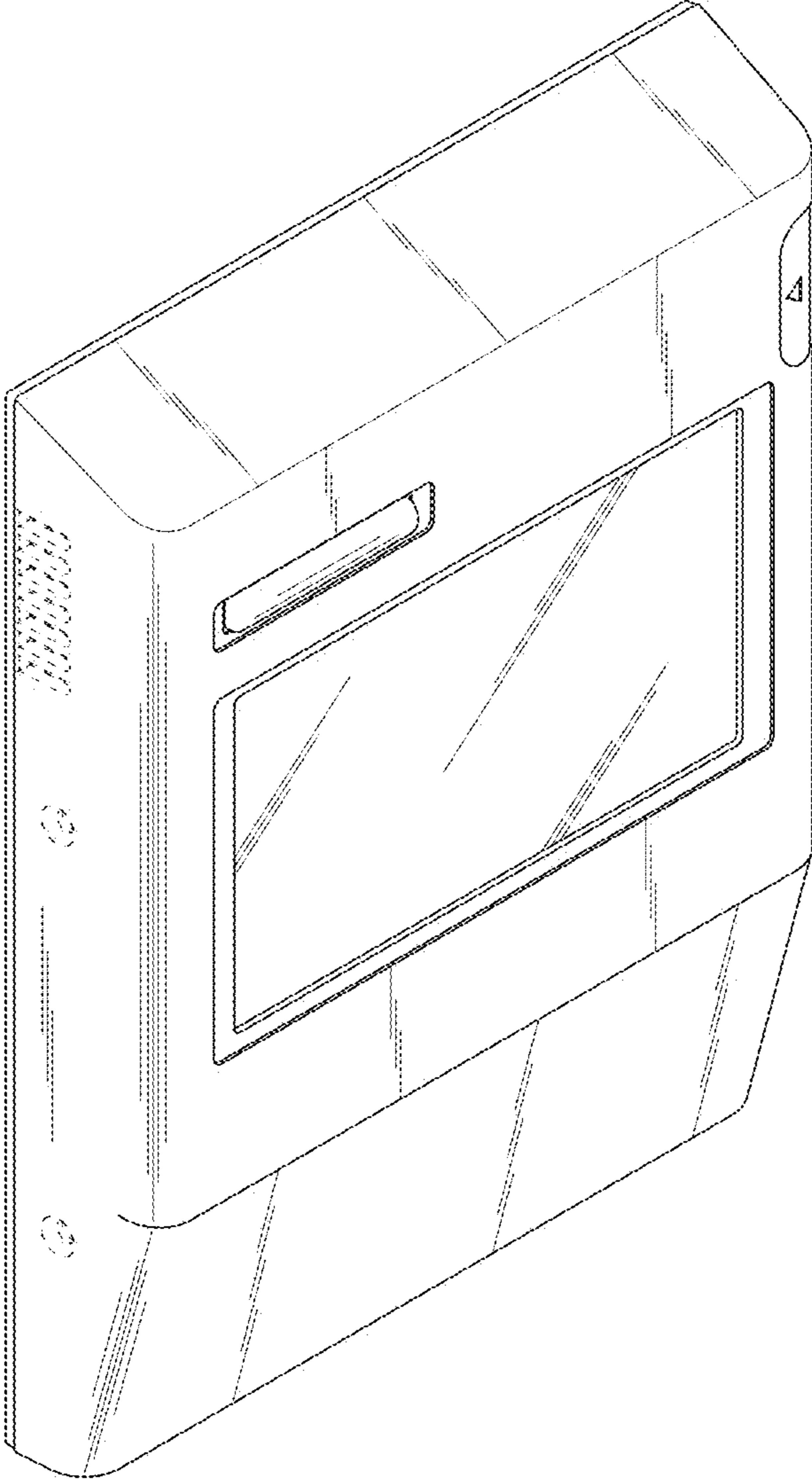


FIG.1

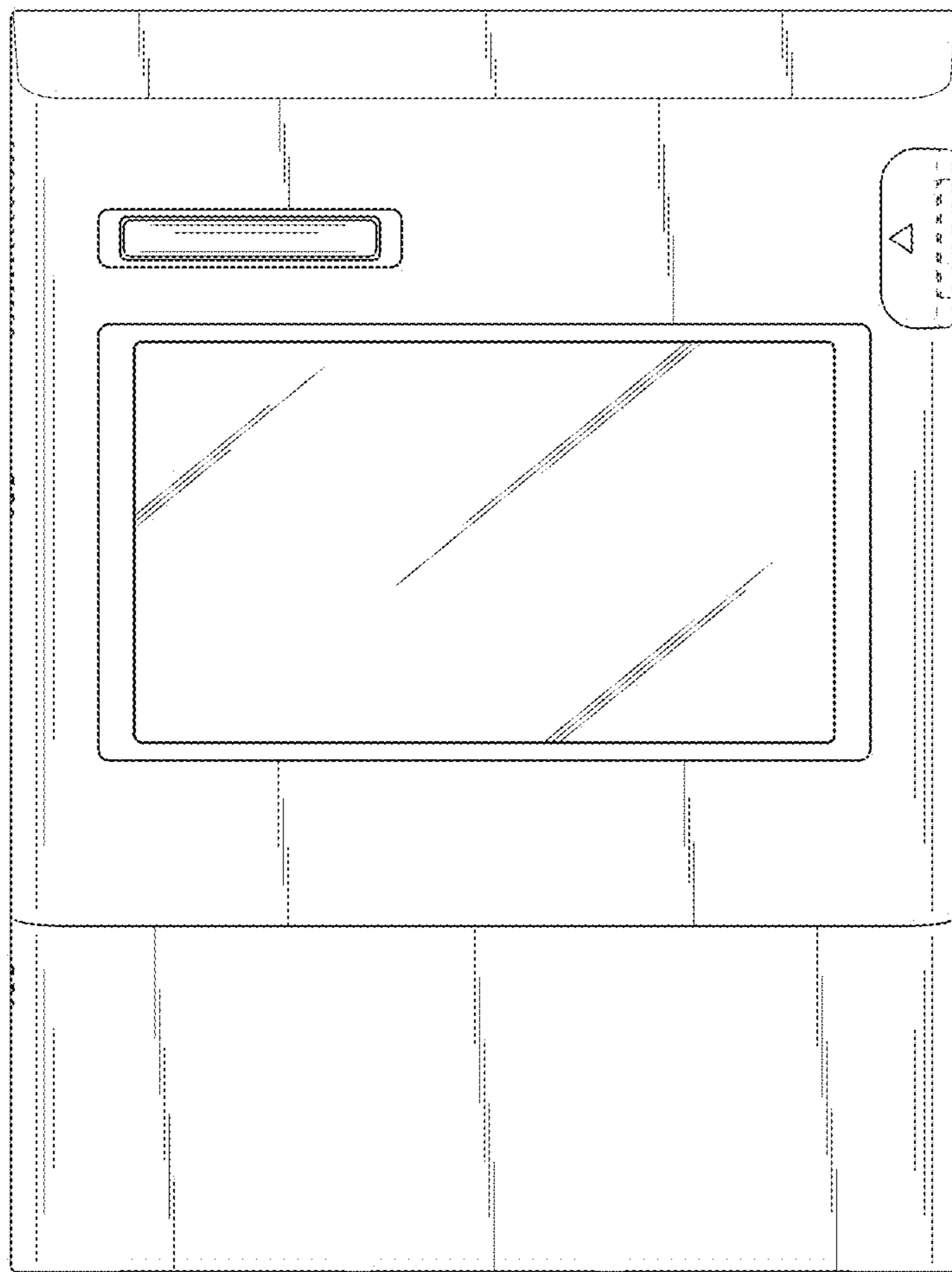


FIG.2



FIG.3

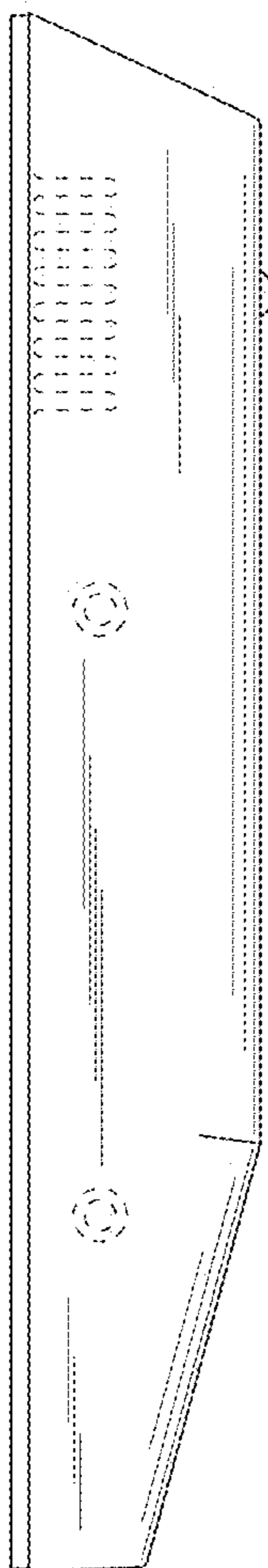


FIG. 4

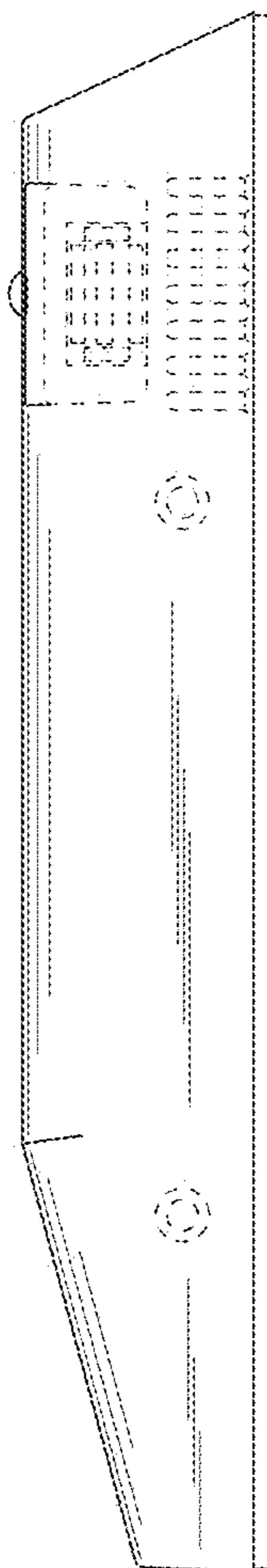


FIG. 5

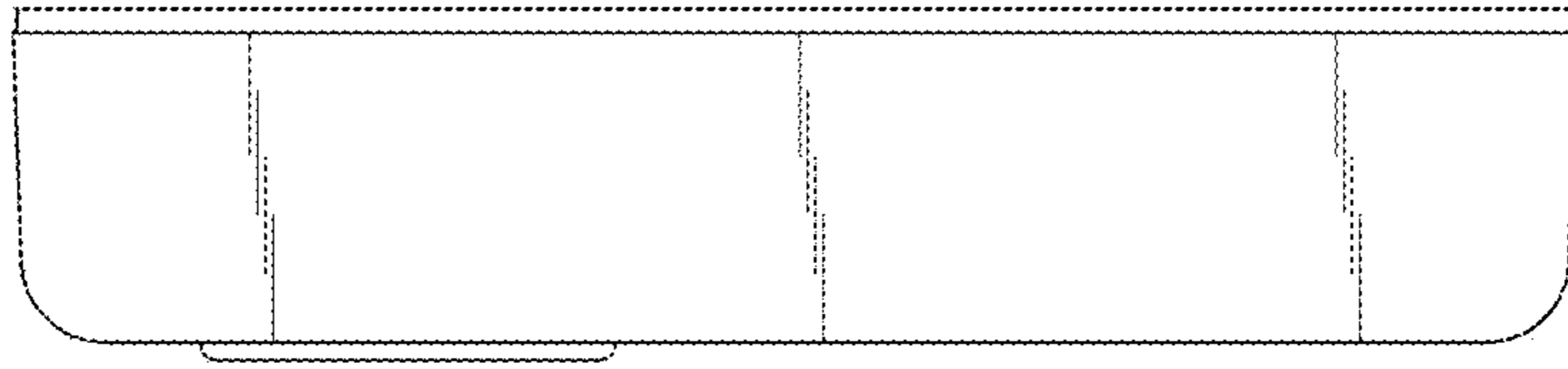


FIG. 6

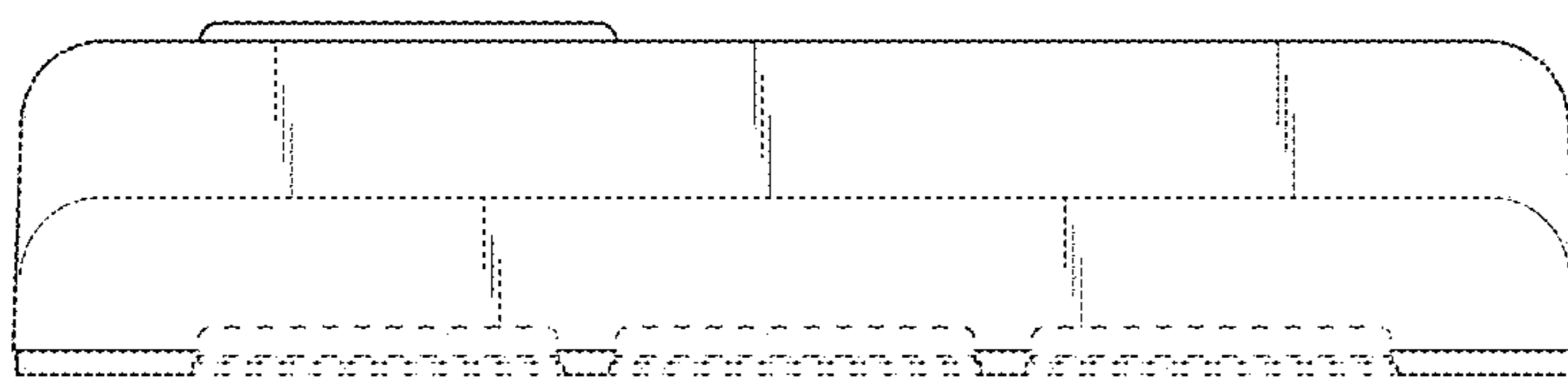


FIG. 7