



US00D742331S

(12) **United States Design Patent**
Min et al.

(10) **Patent No.:** **US D742,331 S**
(45) **Date of Patent:** **** Nov. 3, 2015**

(54) **SOCKET MODULE FOR AN ELECTRONIC RELAY**

H01R 9/2658; H01R 13/447; H01R 13/50;
H01R 13/501; H01R 29/00; H01R 31/08;
H01R 4/2433; H01R 1/365; H01R 2071/0292;
H01R 21/54; H01R 71/0271

(71) Applicant: **Phoenix Contact GmbH & Co. KG**,
Blomberg (DE)

See application file for complete search history.

(72) Inventors: **Che Min**, Nanjing (CN); **Sun Degan**,
Nanjing (CN); **Kay Lockstedt**, Hameln
(DE); **Markus Becker**, Paderborn (DE)

(56) **References Cited**

U.S. PATENT DOCUMENTS

(73) Assignee: **PHOENIX CONTACT GMBH & CO. KG**,
Blomberg (DE)

D471,158	S	3/2003	Mori et al.	
D471,866	S *	3/2003	Yano et al.	D13/147
D472,878	S *	4/2003	Kitamura	D13/147
7,553,199	B2	6/2009	Correll	
D599,311	S *	9/2009	Correll et al.	D13/184
D634,713	S	3/2011	Giordanino et al.	
D638,371	S	5/2011	Giordanino et al.	
D671,897	S	12/2012	Kettern et al.	
D701,176	S *	3/2014	Min et al.	D13/159
2002/0132504	A1	9/2002	Mori et al.	
2009/0035997	A1 *	2/2009	Correll	439/709

(**) Term: **14 Years**

(21) Appl. No.: **29/479,578**

(22) Filed: **Jan. 17, 2014**

Related U.S. Application Data

(62) Division of application No. 29/444,546, filed on Jan.
31, 2013, now Pat. No. Des. 701,176.

* cited by examiner

Primary Examiner — Thomas Johannes

Assistant Examiner — Shawn T Gingrich

(74) *Attorney, Agent, or Firm* — Roberts Mlotkowski Safran
& Cole, P.C.

(30) **Foreign Application Priority Data**

Jul. 31, 2012 (EM) 002081927

(51) **LOC (10) Cl.** **13-03**

(52) **U.S. Cl.**
USPC **D13/159**

(58) **Field of Classification Search**
USPC D13/101, 103, 110, 119, 123, 146, 147,
D13/151, 158, 164, 171, 173, 174, 177, 178,
D13/184, 199; D14/240, 433, 434; 200/237,
200/293, 294, 297, 302.3, 400, 401;
361/160, 166, 601, 622, 628, 686;
439/271, 535, 639, 652, 709, 715-718,
439/736

CPC F24D 19/1096; G05B 19/042; G05B
19/0426; G05B 2219/23043; G05B
2219/23051; G05B 2219/23297; G05B
2219/23406; G05B 2219/25085; G05B
2219/2625; H01H 35/027; H01H 1/0277;
H01H 2203/032; H01H 19/64; H01R 4/36;
H01R 4/4827; H01R 9/2491; H01R 9/26;

(57) **CLAIM**

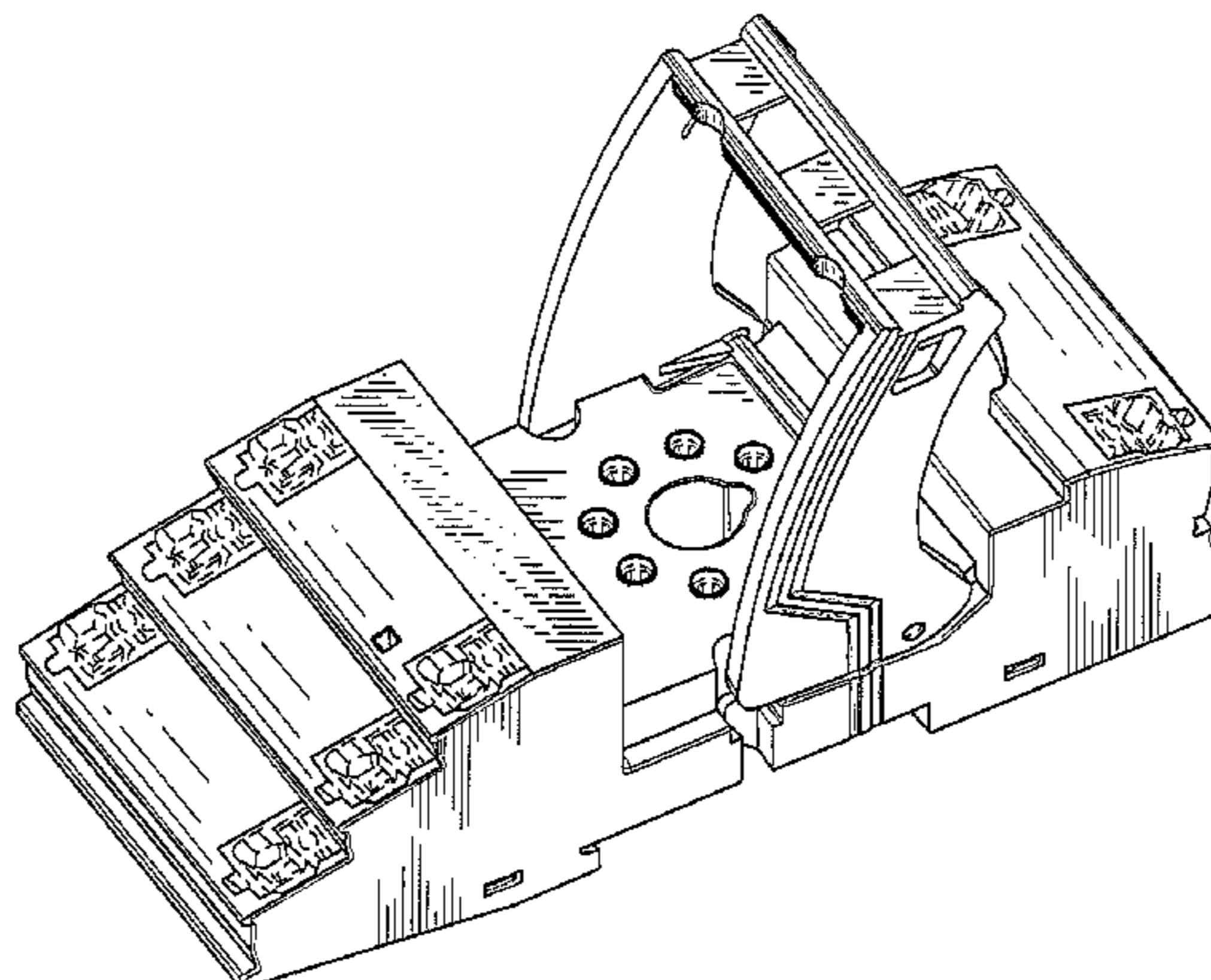
The ornamental design for a socket module for an electronic
relay, as shown the accompanying drawings.

DESCRIPTION

FIG. 1 is a perspective view from the front right of a socket
module for an electronic relay according to our design;
FIG. 2 is a front elevation view thereof;
FIG. 3 is a rear elevation view thereof;
FIG. 4 is a right side elevation view thereof;
FIG. 5 is a left side elevation view thereof; and,
FIG. 6 is a top plan view thereof.

The broken line portion of the figure drawings is included to
show unclaimed subject matter only and forms no part of the
claimed design.

1 Claim, 3 Drawing Sheets



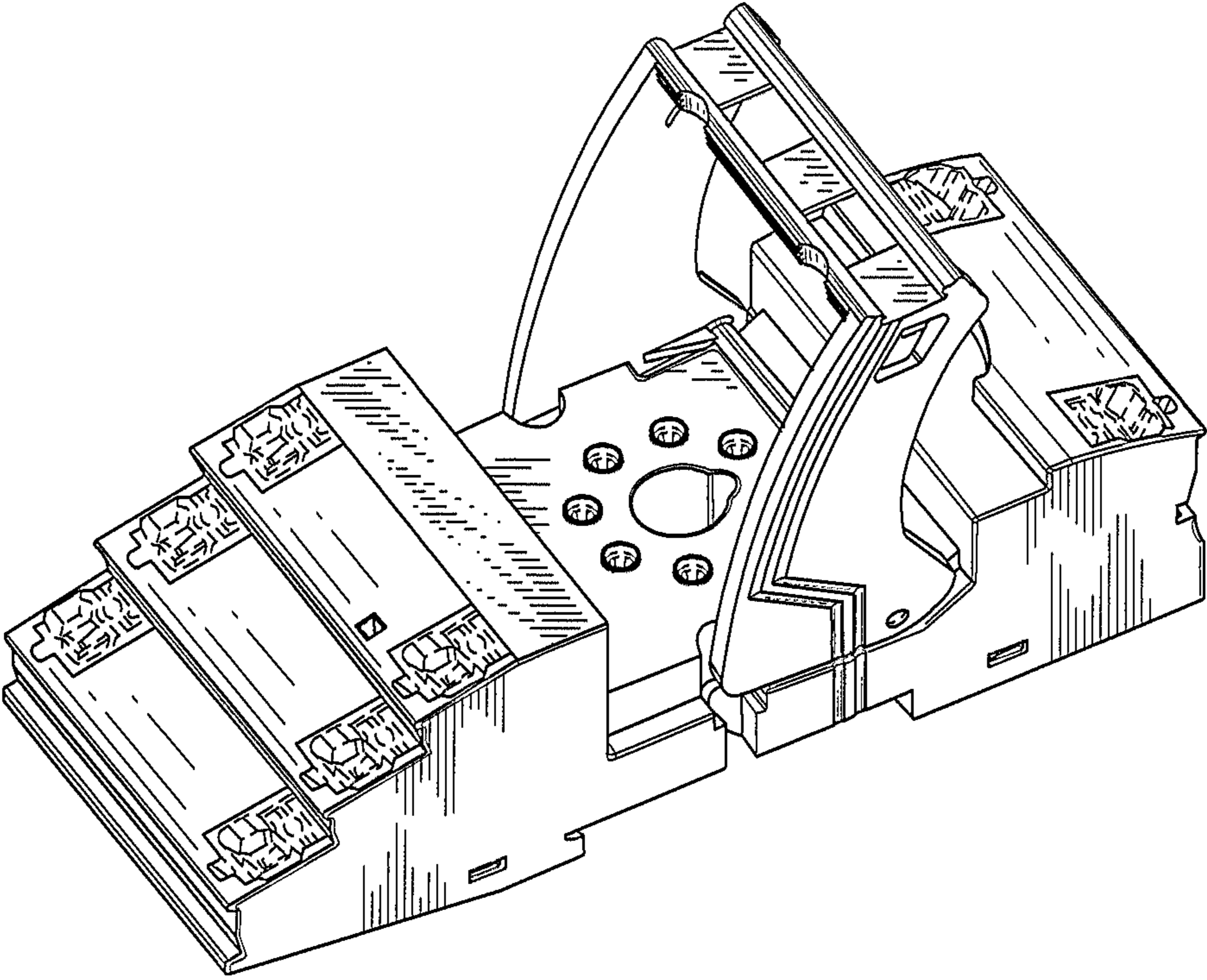


FIG. 1

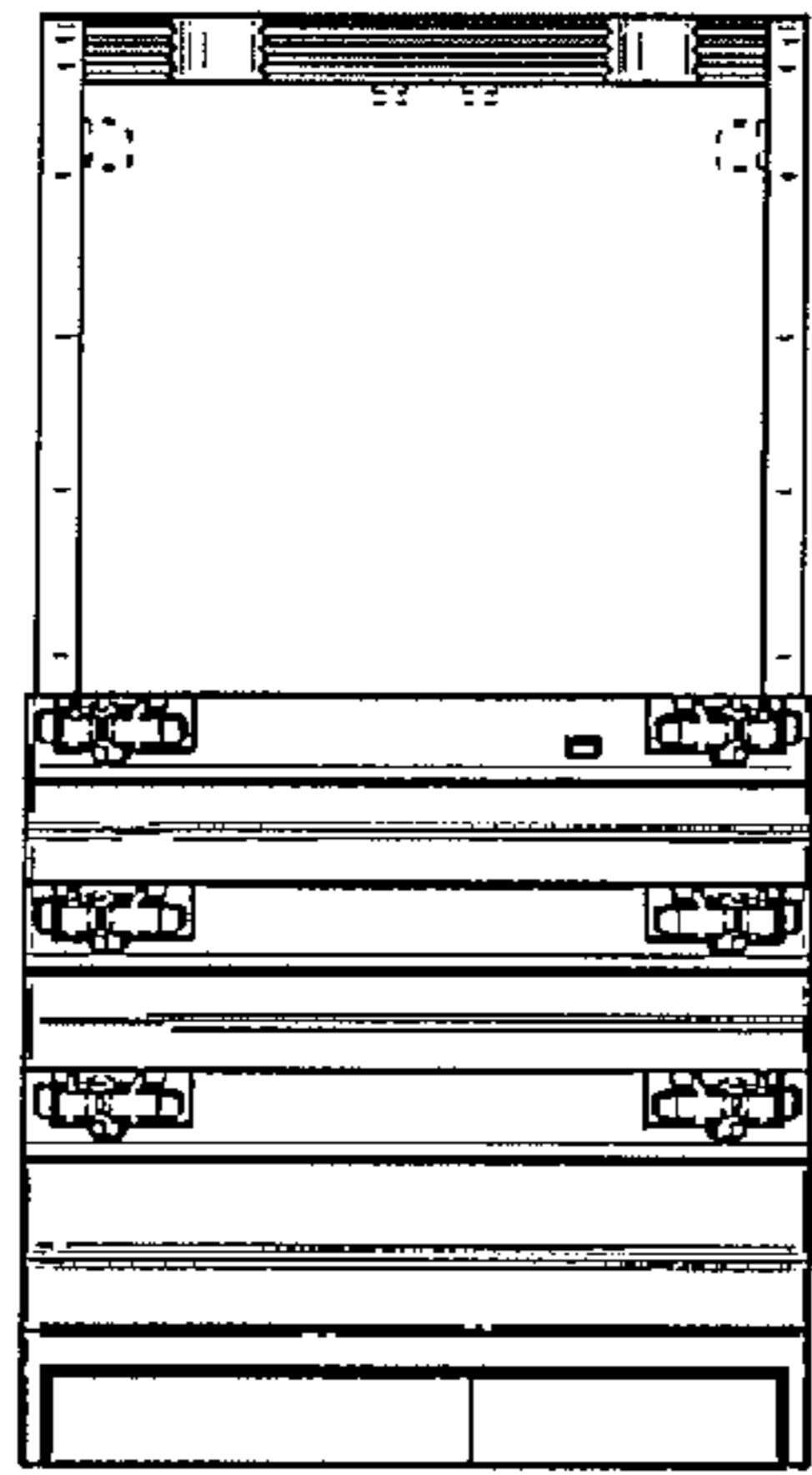


FIG. 2

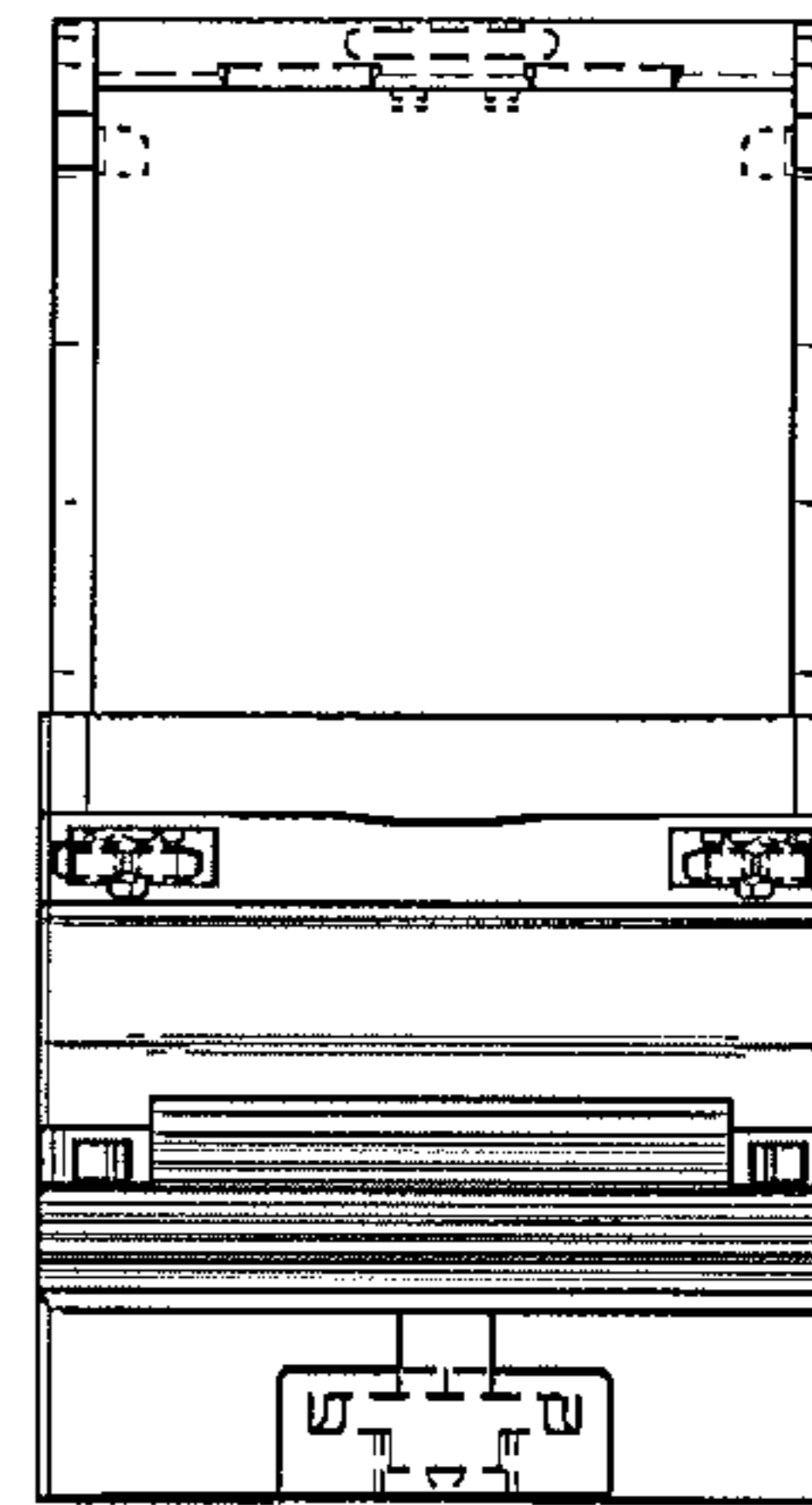


FIG. 3

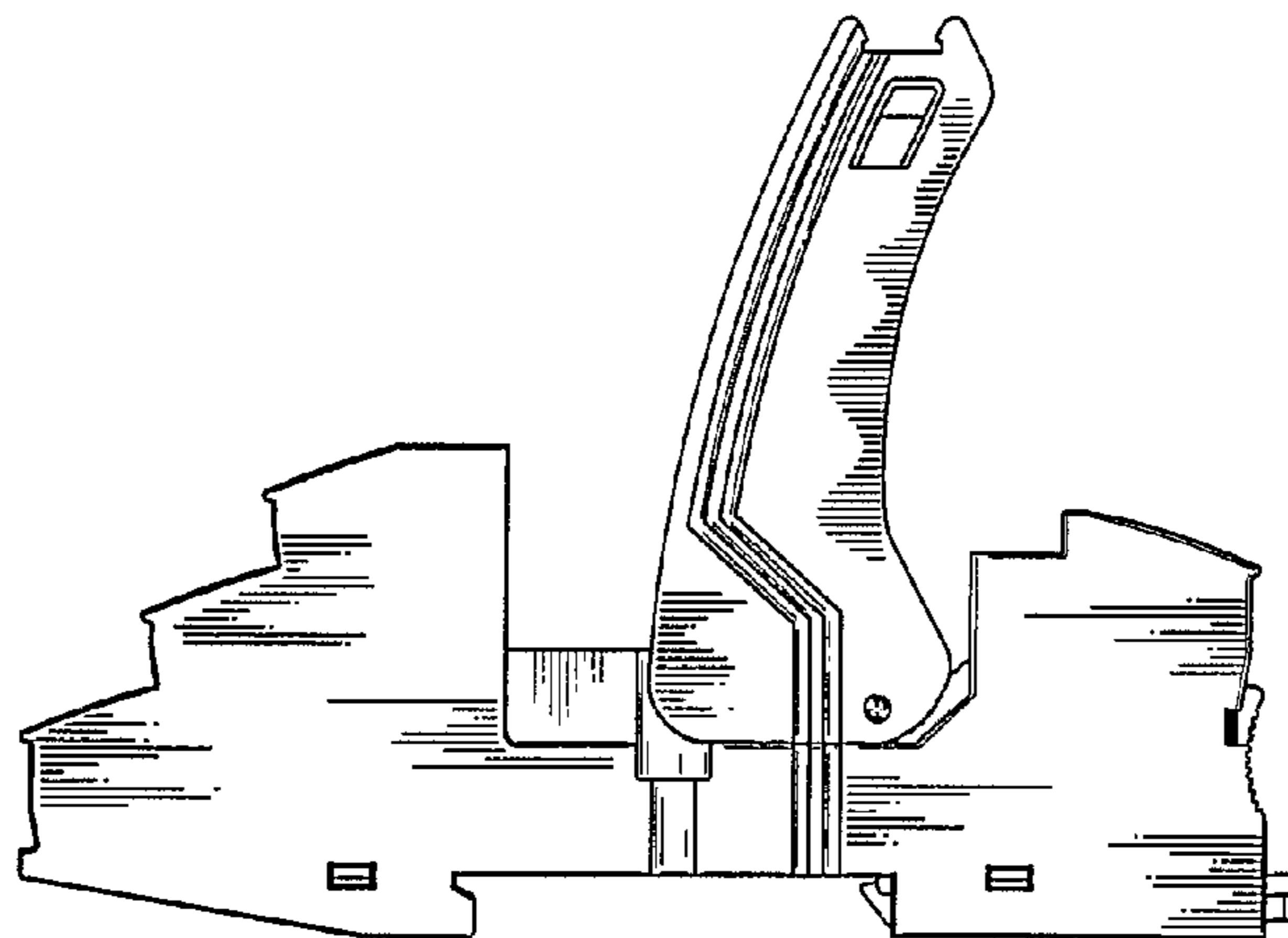


FIG. 4

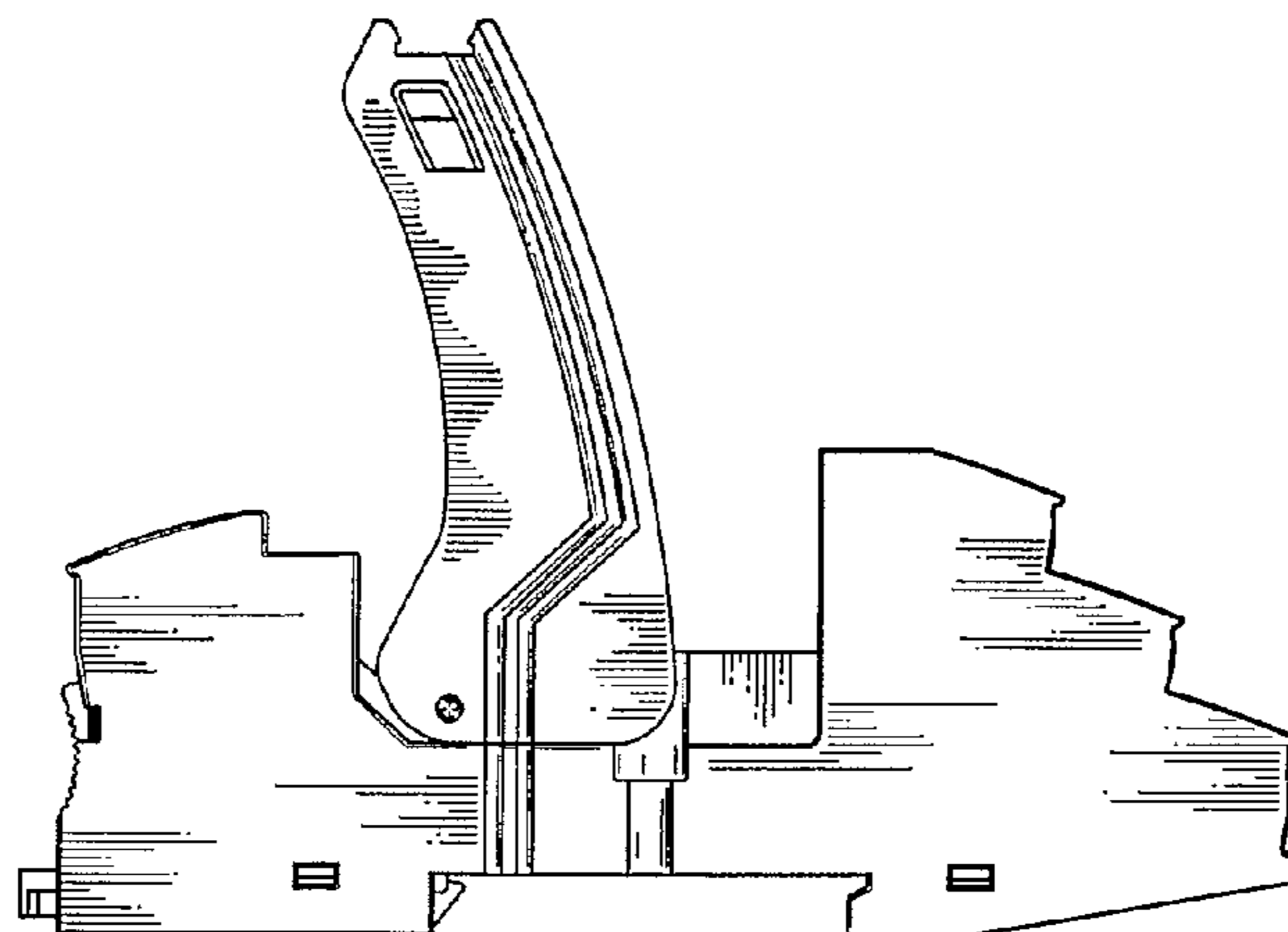


FIG. 5

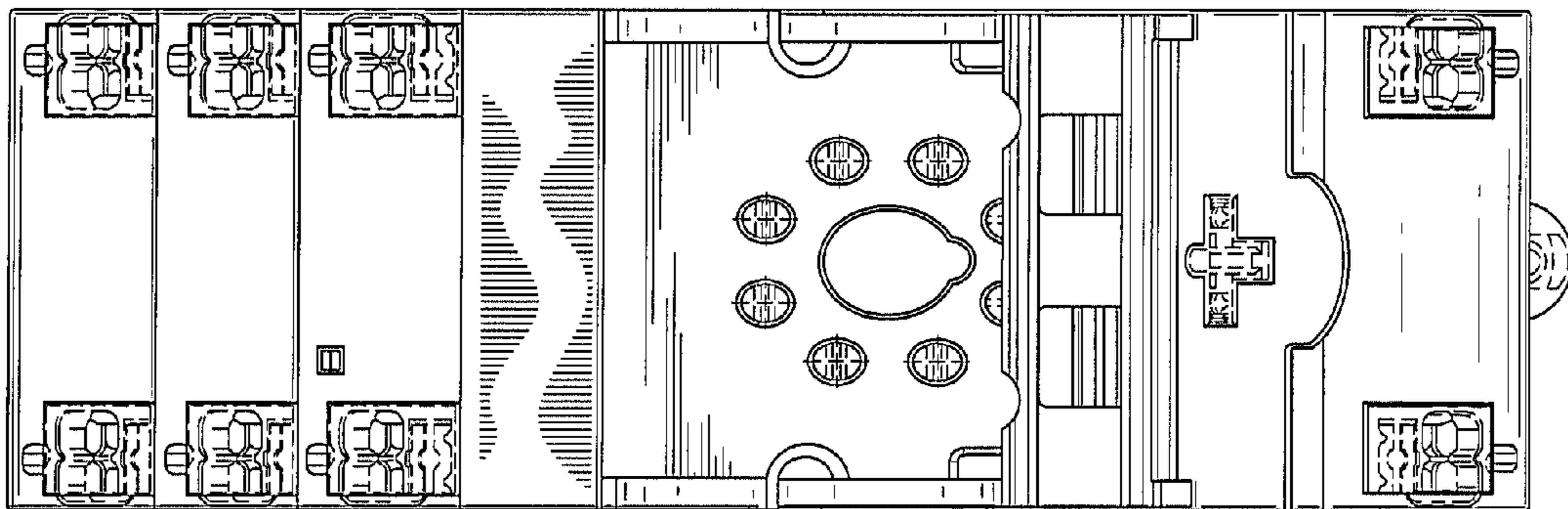


FIG. 6