

US00D742327S

(12) **United States Design Patent**
Nakai et al.

(10) **Patent No.:** **US D742,327 S**
(45) **Date of Patent:** **** Nov. 3, 2015**

- (54) **“OPTICAL FIBER CABLE”**
- (71) Applicant: **MITSUBISHI CABLE INDUSTRIES, LTD.**, Tokyo (JP)
- (72) Inventors: **Tadahiko Nakai**, Tokyo (JP); **Takeji Akutsu**, Hyogo (JP); **Takeshi Satake**, Hyogo (JP)
- (73) Assignee: **MITSUBISHI CABLE INDUSTRIES, LTD.**, Tokyo (JP)
- (**) Term: **14 Years**
- (21) Appl. No.: **29/446,016**
- (22) Filed: **Feb. 19, 2013**
- (51) **LOC (10) Cl.** **13-03**
- (52) **U.S. Cl.**
USPC **D13/154**
- (58) **Field of Classification Search**
USPC D13/133, 153, 154, 155, 156, 157, 184, D13/199; 439/578, 583, 585; 385/53, 71, 385/72, 76, 88, 89, 92, 94, 102, 103, 105, 385/111, 113, 146, 147
See application file for complete search history.

D675,567 S *	2/2013	Hyakutake	D13/133
D691,951 S *	10/2013	Evers et al.	D13/133
2003/0118298 A1 *	6/2003	Matsuyama et al.	385/110
2012/0063724 A1	3/2012	Kuffel et al.		

OTHER PUBLICATIONS

Office Action in U.S. Appl. No. 29/376,167, mailed Jun. 22, 2012.
Office Action in U.S. Appl. No. 29/376,167, mailed Oct. 24, 2012.

* cited by examiner

Primary Examiner — Daniel Bui

(74) *Attorney, Agent, or Firm* — Nixon Peabody LLP; Joseph Bach, Esq.

(57) **CLAIM**

The ornamental design for an optical fiber cable, as shown and described.

DESCRIPTION

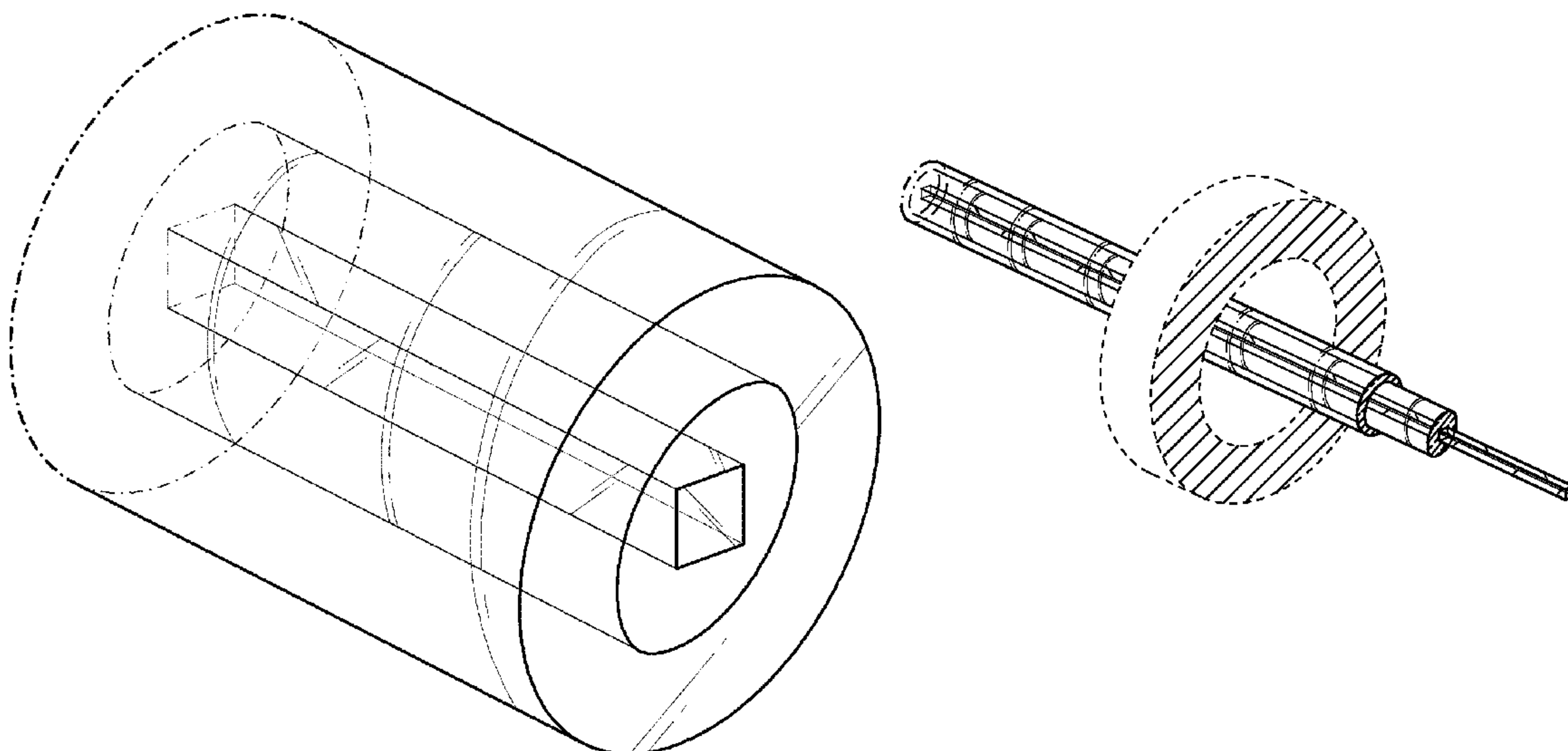
FIG. 1 is an enlarged perspective view of a section of an optical fiber cable showing our new design; FIG. 2 is front elevation view thereof, the back elevation view being identical to the front elevation view; FIG. 3 is a left side elevation view thereof, the right side elevation view being identical to the left side elevation view; FIG. 4 is a perspective view thereof, in use condition; FIG. 5 is another perspective view thereof, in use condition; FIG. 6 is a cross-sectional view thereof, taken along lines “6-6” of FIG. 5; FIG. 7 is another cross-sectional view thereof, taken along line “7-7” of FIG. 5; in an exploded condition; and, FIG. 8 is another cross-sectional view thereof, taken along line “8-8” of FIG. 5; in another exploded condition. The even-broken line shown in the drawing represents unclaimed environment and forms no part of the claimed design, the dash-dot line represents the boundaries of the claimed design.

(56) **References Cited**

U.S. PATENT DOCUMENTS

D224,788 S *	9/1972	Shlesinger, Jr.	D13/153
4,579,418 A	4/1986	Parchet et al.		
D312,813 S	12/1990	Takizawa		
D320,192 S	9/1991	Sisk		
5,181,267 A	1/1993	Gerace et al.		
D499,071 S	11/2004	Conway et al.		
D568,822 S	5/2008	Kuo		
D596,135 S	7/2009	Sakamoto		
D605,595 S	12/2009	Thomas		
D649,121 S	11/2011	Urban		
D665,359 S *	8/2012	Yamauchi et al.	D13/154

1 Claim, 5 Drawing Sheets



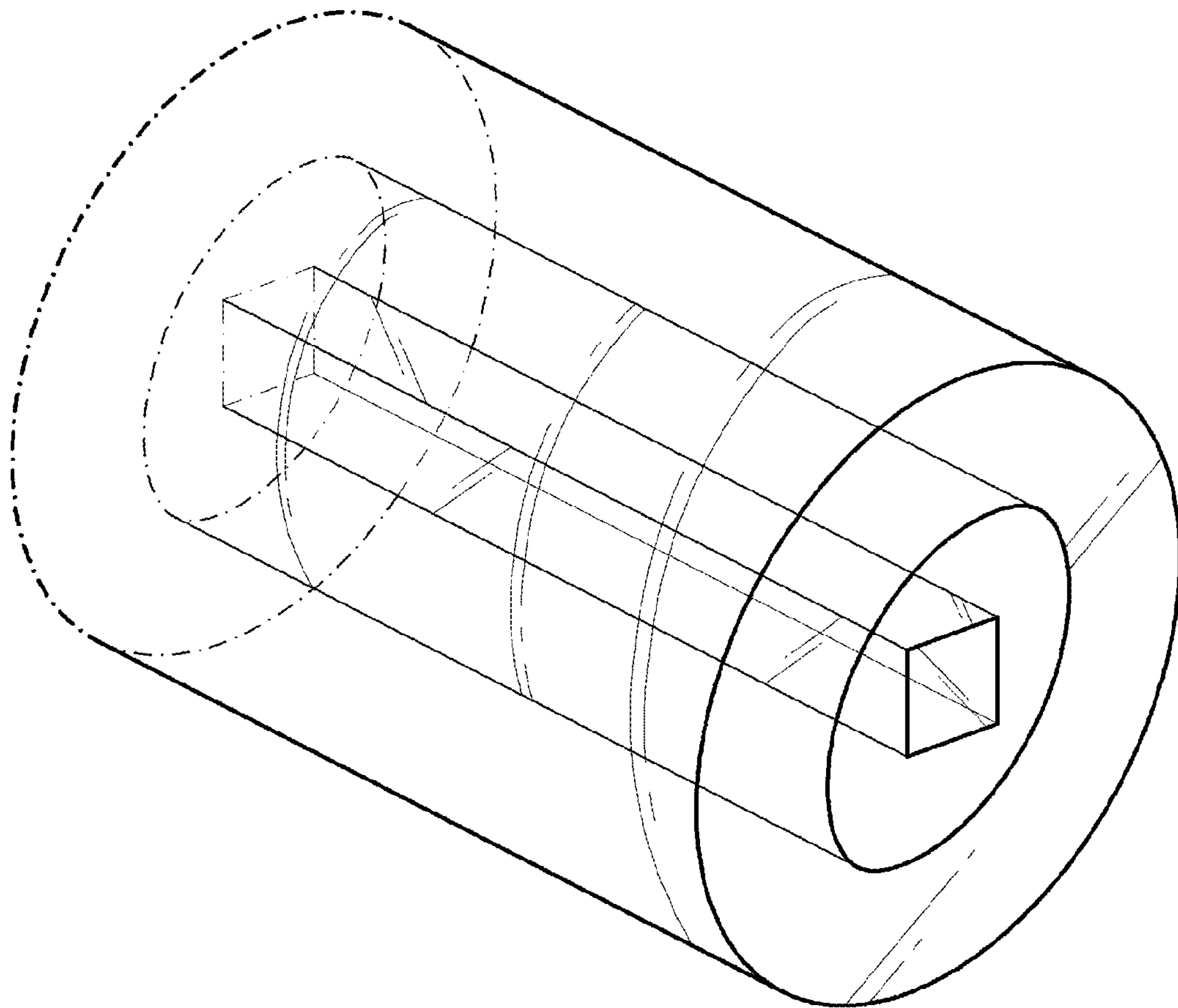


FIG. 1

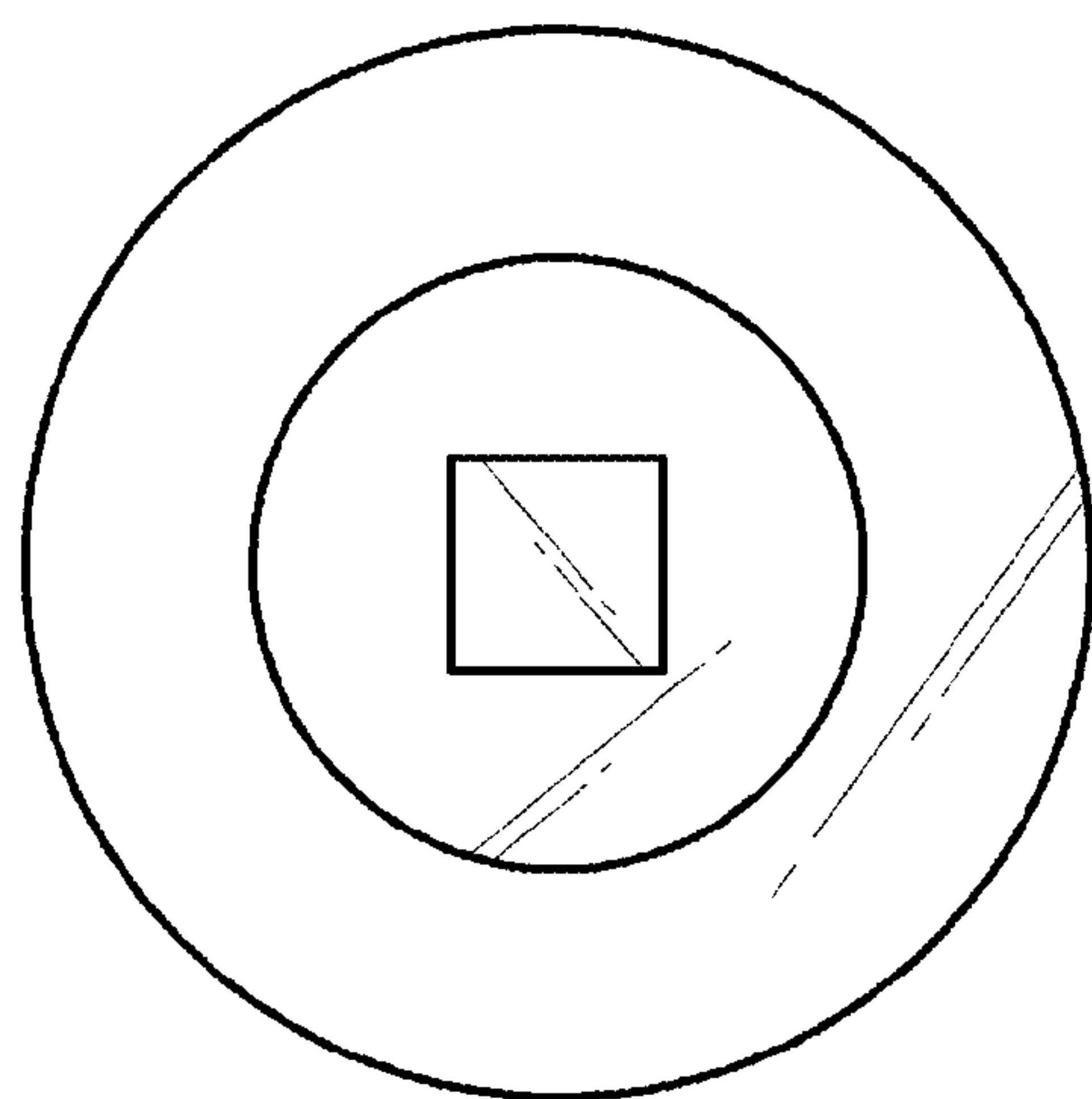


FIG. 2

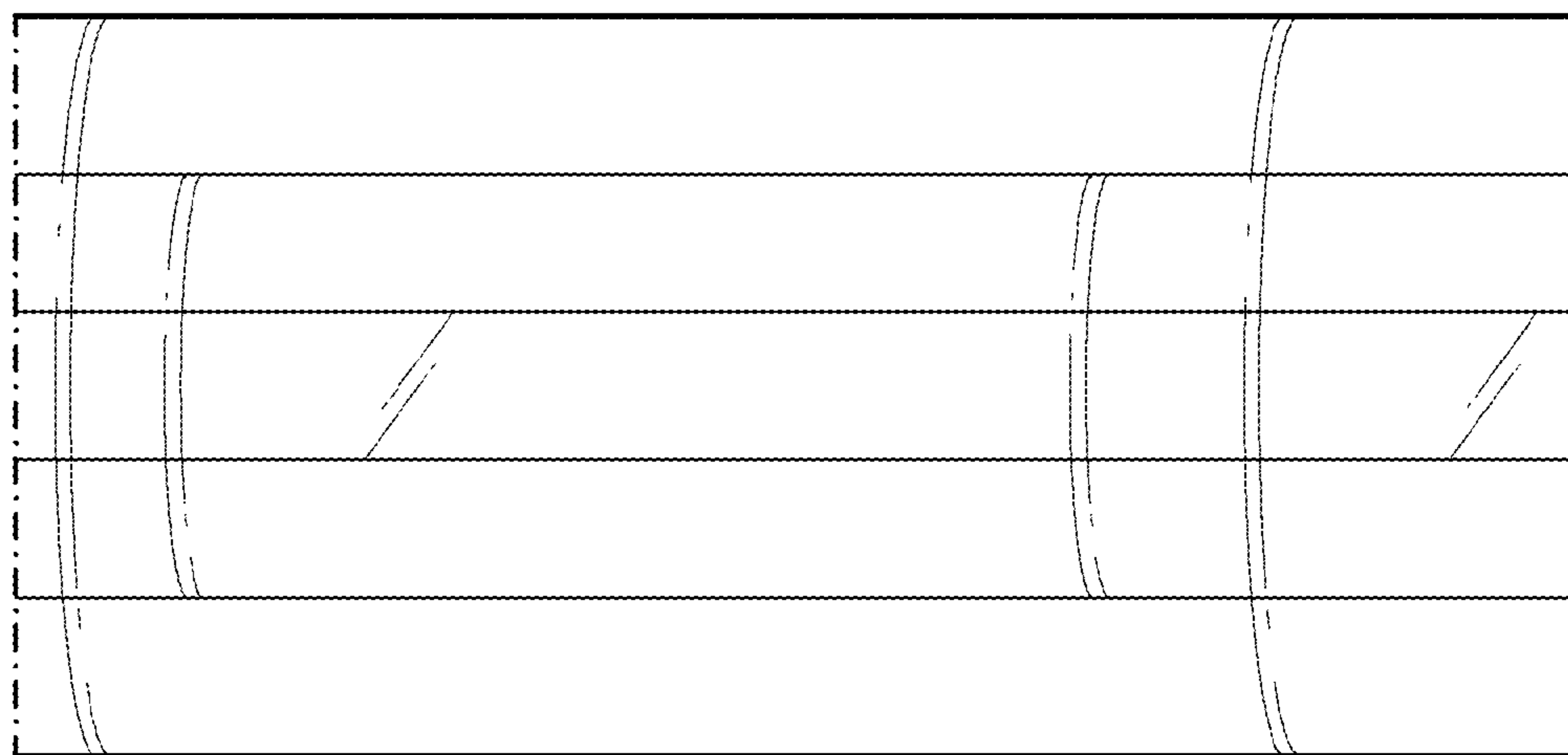


FIG. 3

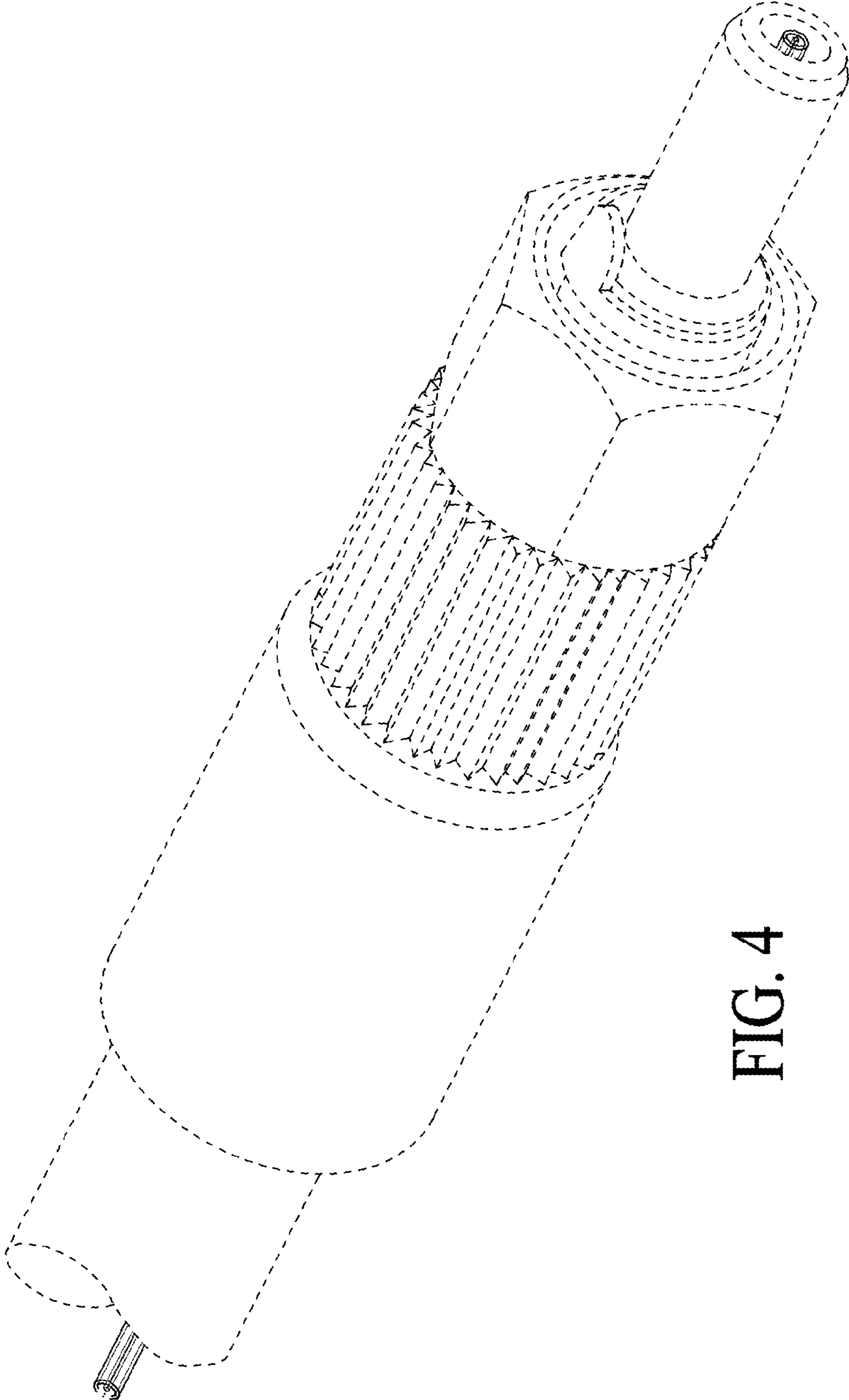


FIG. 4

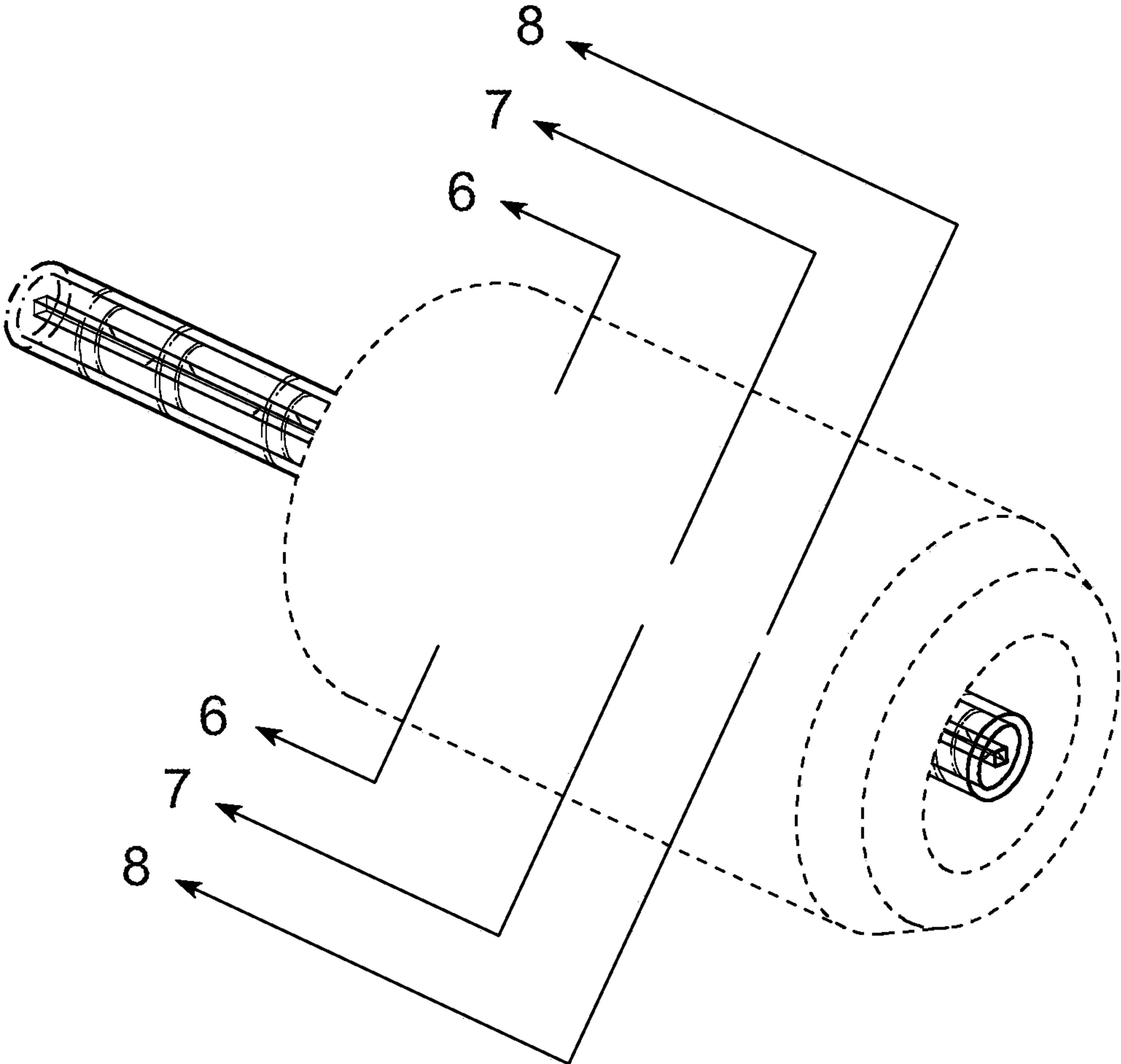


FIG. 5

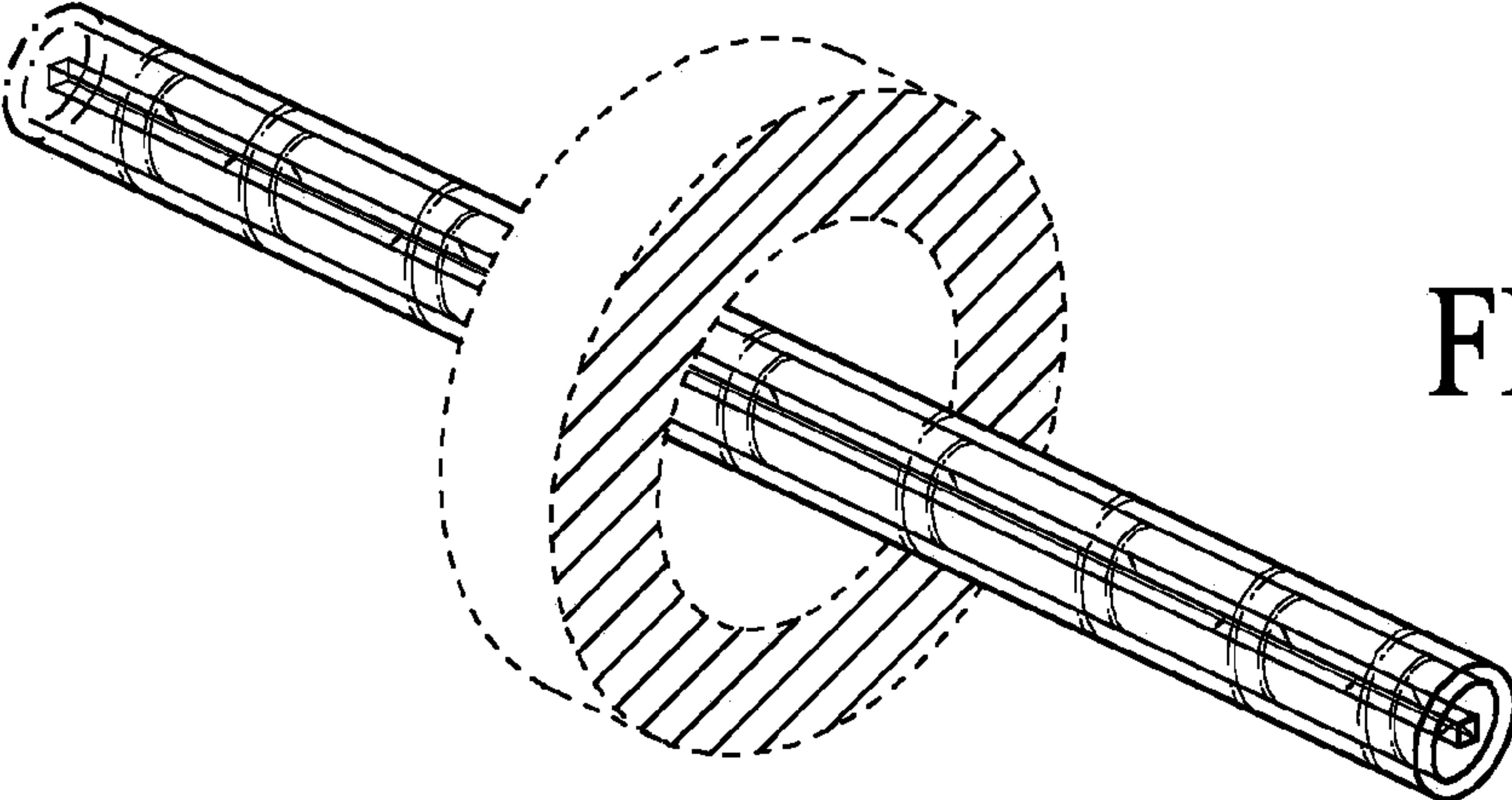


FIG. 6

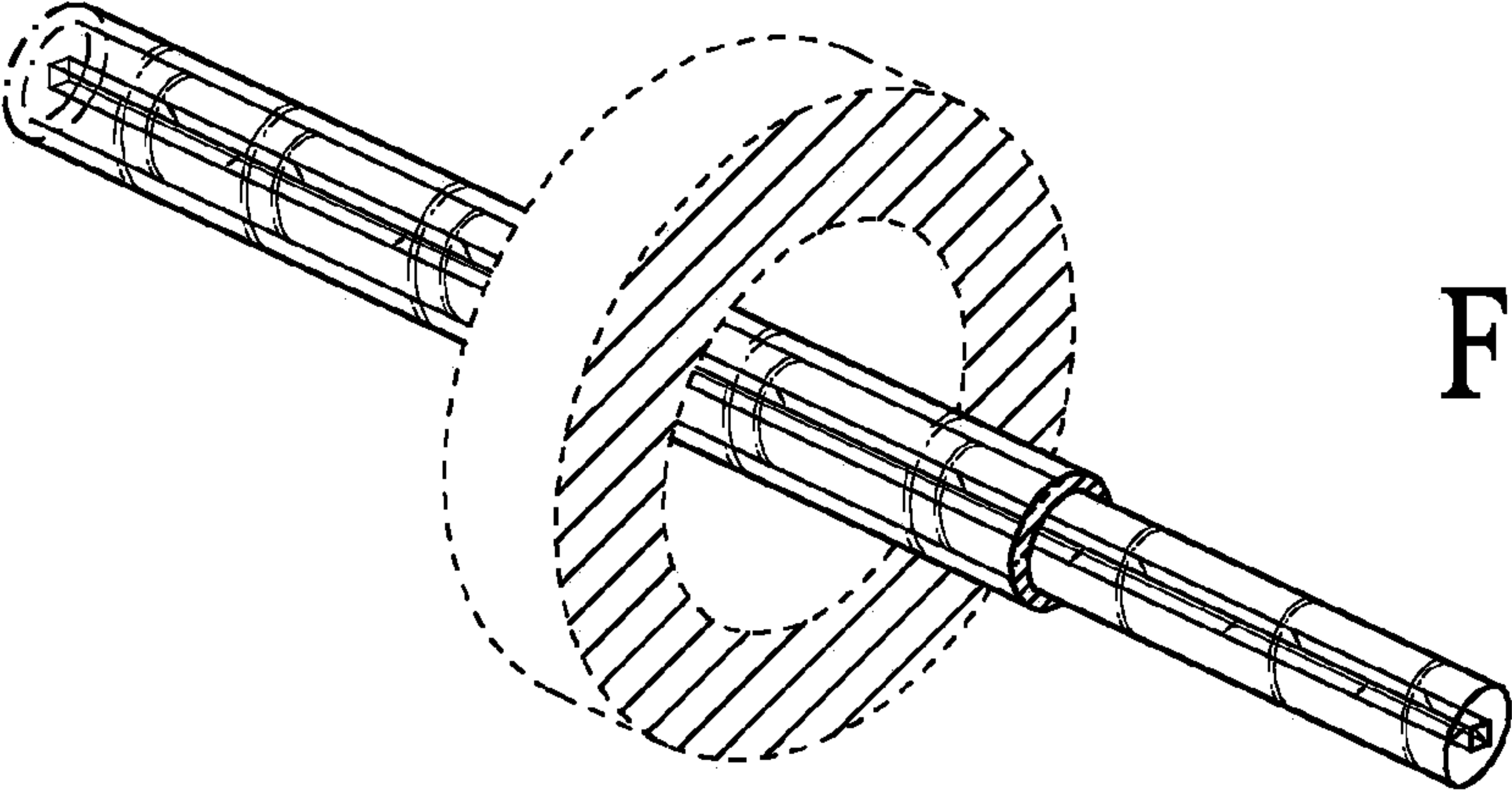


FIG. 7

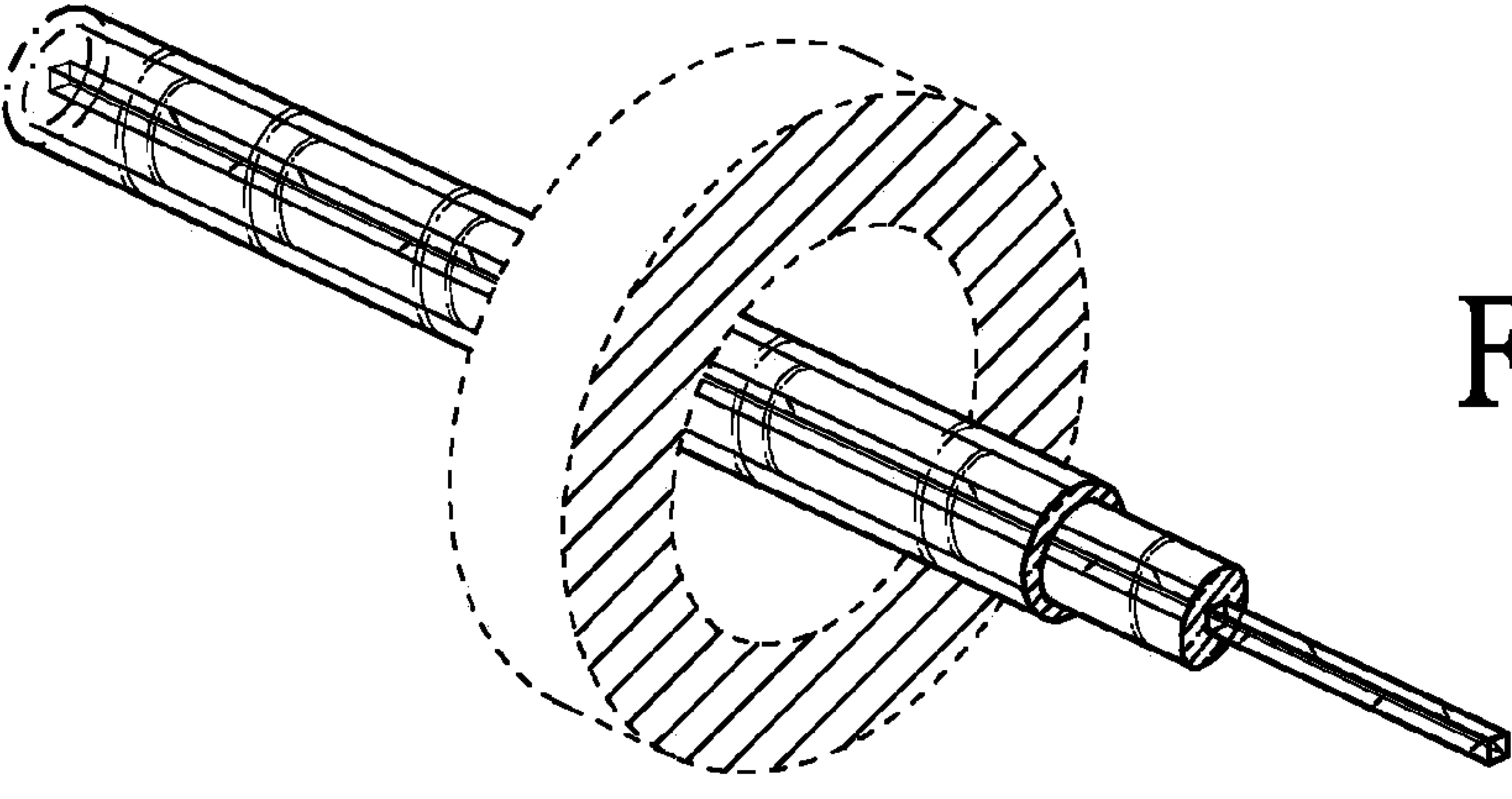


FIG. 8