



US00D742326S

(12) **United States Design Patent**
Leung

(10) **Patent No.:** **US D742,326 S**

(45) **Date of Patent:** **** *Nov. 3, 2015**

(54) **ELECTRICAL JUNCTION BOX LID**

(71) Applicant: **IPEX TECHNOLOGIES INC.,**
Mississauga (CA)

(72) Inventor: **Kwan Yu Leung,** Mississauga (CA)

(73) Assignee: **IPEX TECHNOLOGIES INC.,**
Mississauga (CA)

(*) Notice: This patent is subject to a terminal disclaimer.

(**) Term: **14 Years**

(21) Appl. No.: **29/474,294**

(22) Filed: **Aug. 6, 2014**

(30) **Foreign Application Priority Data**

Jul. 25, 2014 (CA) 157863

(51) **LOC (10) Cl.** **13-03**

(52) **U.S. Cl.**
USPC **D13/152**

(58) **Field of Classification Search**
USPC D13/152, 184, 147, 156, 177, 119;
174/58, 53; D8/350; 220/328, 325;
403/408.1
CPC F16J 13/10; F16B 5/02; H02G 3/123
See application file for complete search history.

(56) **References Cited**

U.S. PATENT DOCUMENTS

1,208,618 A	12/1916	Morrison	
2,263,842 A	11/1941	Gross	
2,263,843 A	11/1941	Gross	
2,642,016 A	6/1953	Thalmann	
3,296,763 A	1/1967	Curt	
3,480,311 A *	11/1969	Lanham, Jr.	403/408.1
3,951,300 A	4/1976	Kalasek	
4,129,395 A	12/1978	Theurer	

4,358,130 A	11/1982	Adams	
4,941,588 A	7/1990	Flider	
5,050,764 A	9/1991	Voss	
5,123,795 A	6/1992	Engel	
D331,225 S *	11/1992	Mooneyhan	D13/152
5,361,925 A *	11/1994	Wecke et al.	220/325
D372,703 S *	8/1996	Hannon et al.	D13/152
D374,429 S *	10/1996	Blais et al.	D13/156

(Continued)

OTHER PUBLICATIONS

IPEX Technologies Inc., Box and Gasket Assembly, Jul. 19, 2011, 1 page containing 3 photo views, Mississauga ON Canada.

Primary Examiner — Holly Baynham

Assistant Examiner — Rhea Shields

(57) **CLAIM**

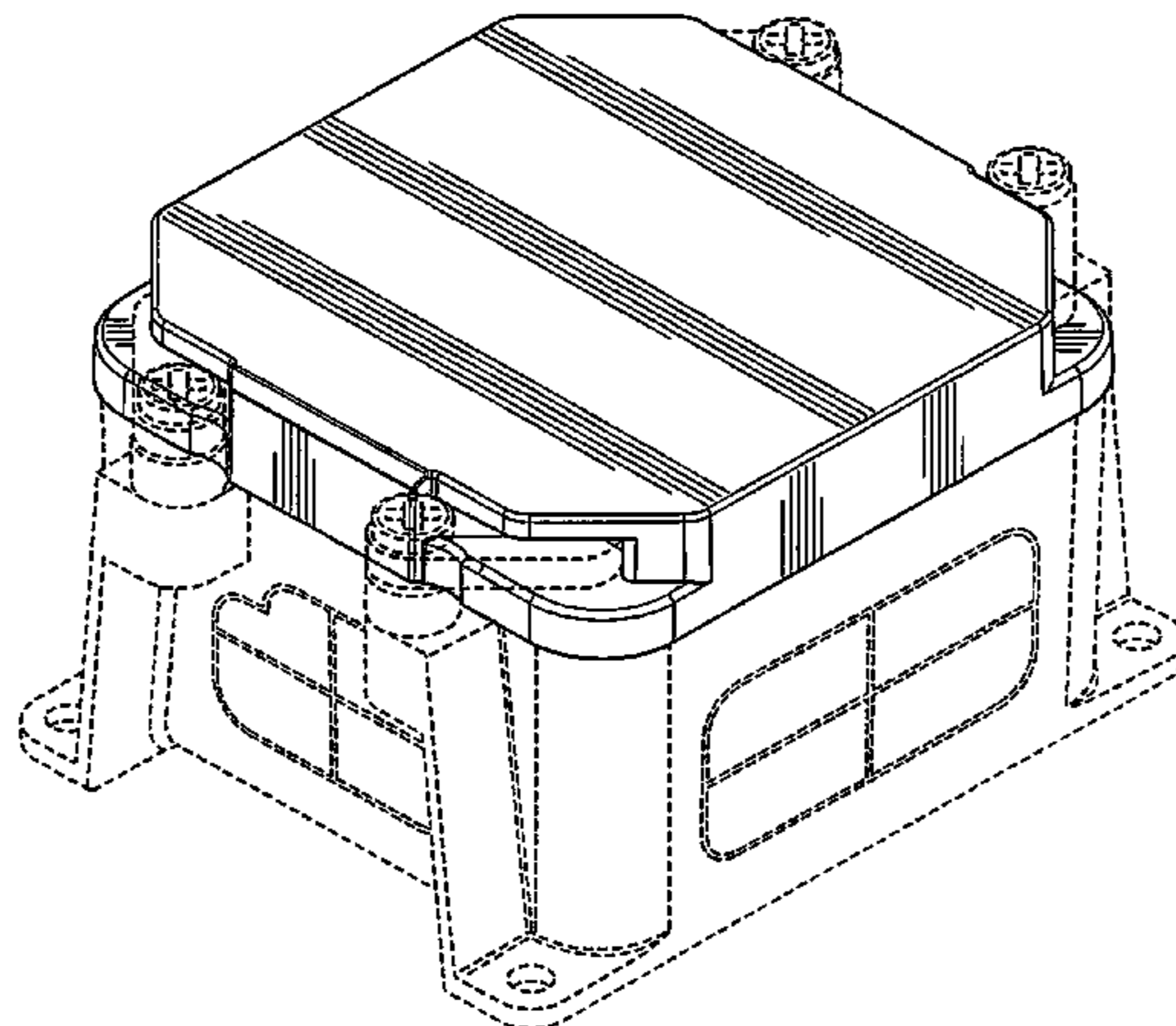
The ornamental design for an electrical junction box lid, as shown and described.

DESCRIPTION

FIG. 1 is a perspective view taken from the top and one side of the design;
 FIG. 2 is a front elevational view of the design shown in FIG. 1;
 FIG. 3 is a right side elevational view of the design shown in FIG. 1;
 FIG. 4 is a rear elevational view of the design shown in FIG. 1;
 FIG. 5 is a left side elevational view of the design shown in FIG. 1;
 FIG. 6 is a top elevational view of the design shown in FIG. 1;
 FIG. 7 is a bottom elevational view of the design shown in FIG. 1; and,
 FIG. 8 is a bottom perspective view of the design shown in FIG. 1.

In the drawings, the broken lines are for the purpose of illustrating environment only and form no part of the claimed design.

1 Claim, 8 Drawing Sheets



(56)

References Cited

U.S. PATENT DOCUMENTS

5,865,336 A 2/1999 Krzywdziak et al.
D417,437 S * 12/1999 Kim, II D13/177
D422,266 S * 4/2000 Roesch D13/152
D422,565 S * 4/2000 Kim, II D13/152
D423,461 S * 4/2000 Layton, Jr. D13/152
D424,523 S * 5/2000 Hughes D13/147
D462,329 S * 9/2002 Hughes et al. D13/152
6,530,629 B2 3/2003 Shyr
D499,070 S * 11/2004 Lavington D13/119
7,032,708 B2 4/2006 Popken
D556,143 S 11/2007 Ni
D560,170 S 1/2008 Ni
D563,895 S * 3/2008 Stuckmann et al. D13/152
D588,067 S * 3/2009 Seropian D13/152
D593,970 S * 6/2009 Sonntag D13/184
7,607,553 B2 * 10/2009 Weber 220/328
D606,033 S * 12/2009 Sonntag D13/184
D626,509 S * 11/2010 Severing D13/147

D632,256 S * 2/2011 Higuchi D13/152
D635,098 S * 3/2011 Ismert D13/152
D636,343 S * 4/2011 Leal et al. D13/152
D638,367 S * 5/2011 Isaacks et al. D13/152
7,997,841 B2 8/2011 Show
D676,814 S * 2/2013 Paul D13/152
D686,995 S * 7/2013 Nikayin D13/152
D686,997 S * 7/2013 Inaba et al. D13/152
D688,211 S * 8/2013 Xue et al. D13/152
D688,241 S 8/2013 Miller et al.
8,575,483 B2 * 11/2013 Gauthier 174/58
D698,318 S * 1/2014 Villen Hernandez
et al. D13/152
D702,198 S * 4/2014 Gretz D13/184
8,748,744 B2 * 6/2014 O'Connor et al. 174/53
D709,835 S * 7/2014 Jones D13/152
D711,834 S * 8/2014 Jones D13/152
D713,355 S * 9/2014 Jones et al. D13/152
D714,617 S * 10/2014 Miller et al. D8/350
2011/0262243 A1 10/2011 Glickman

* cited by examiner

Fig. 1

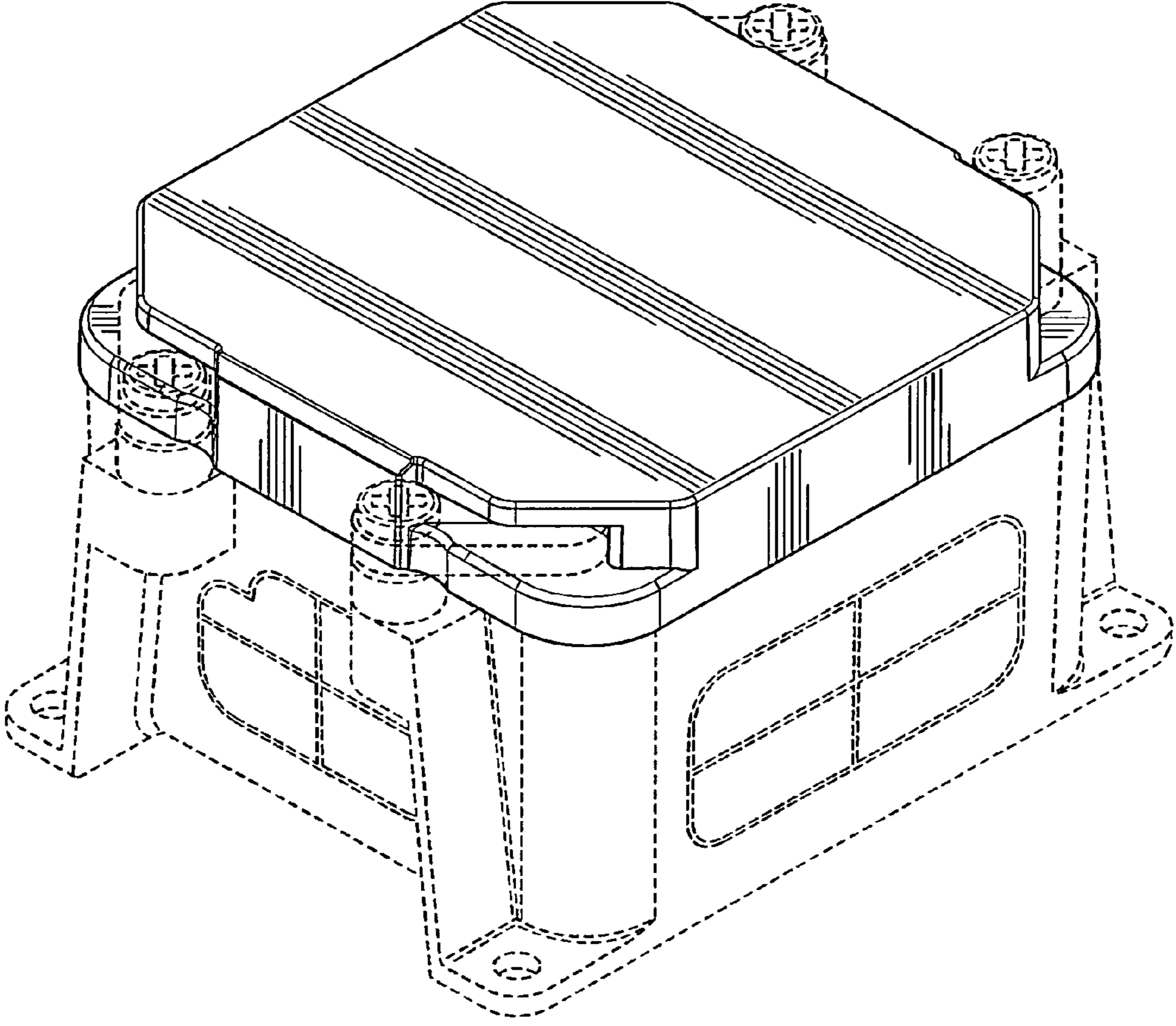


Fig. 2

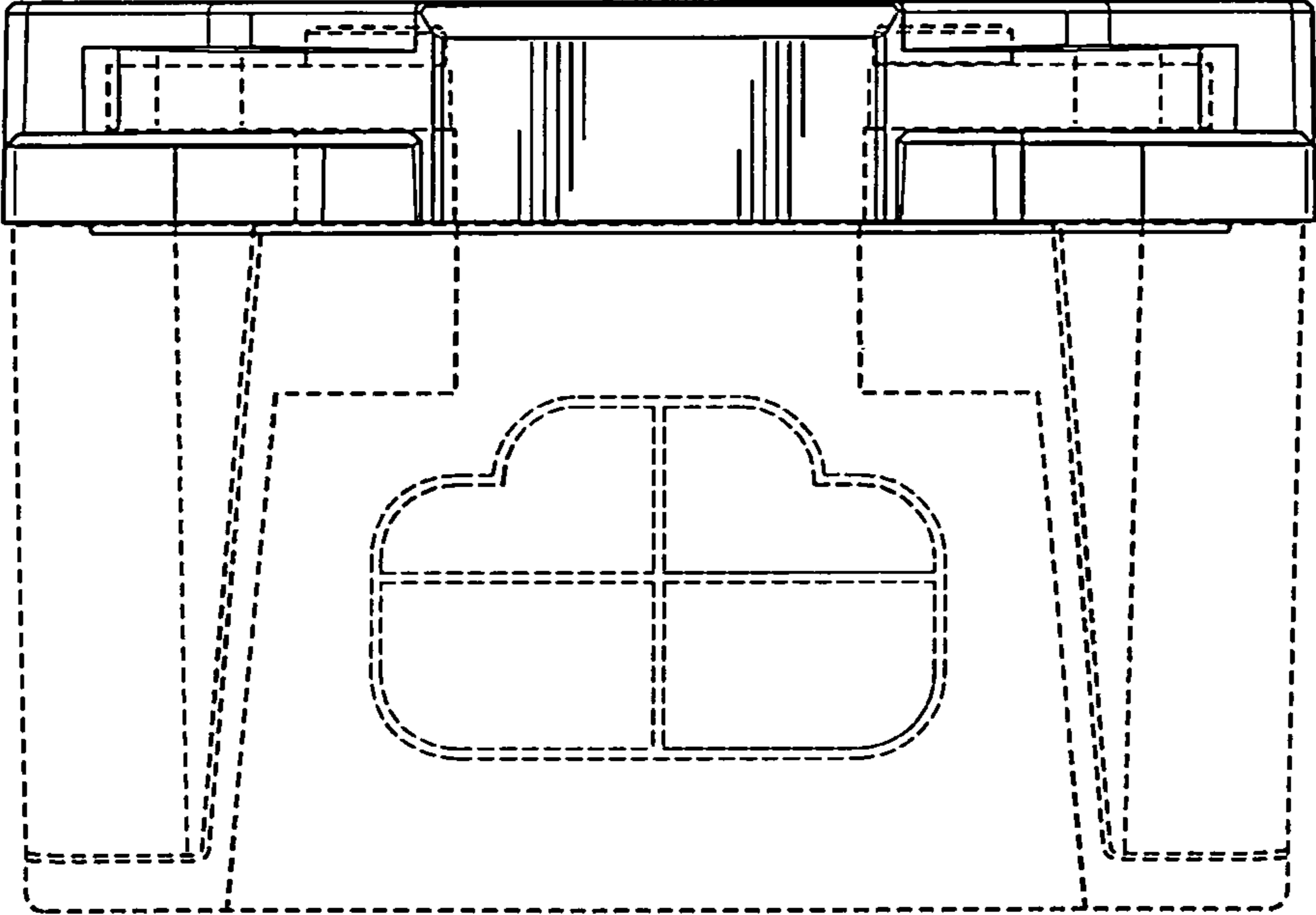


Fig. 3

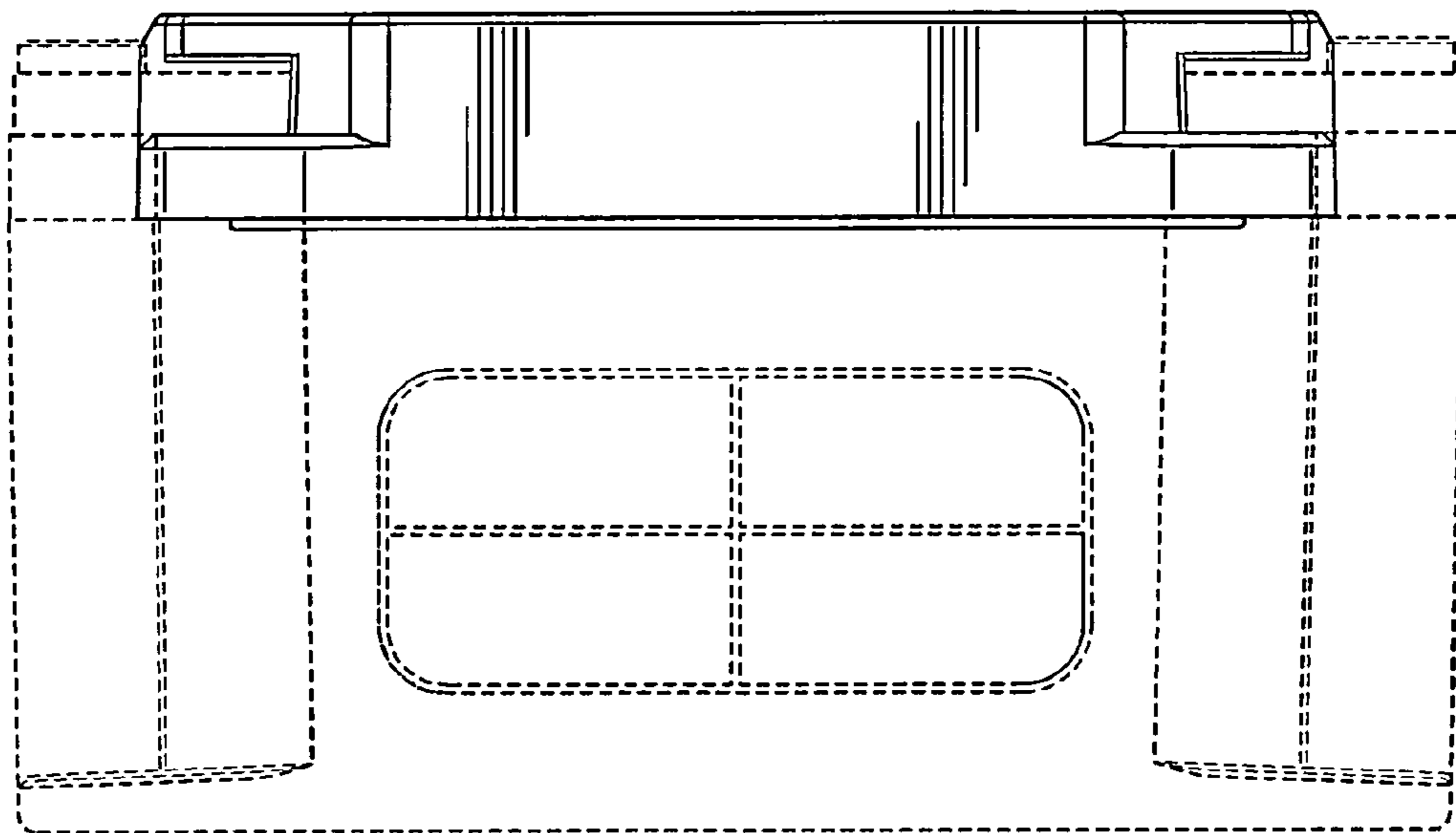


Fig. 4

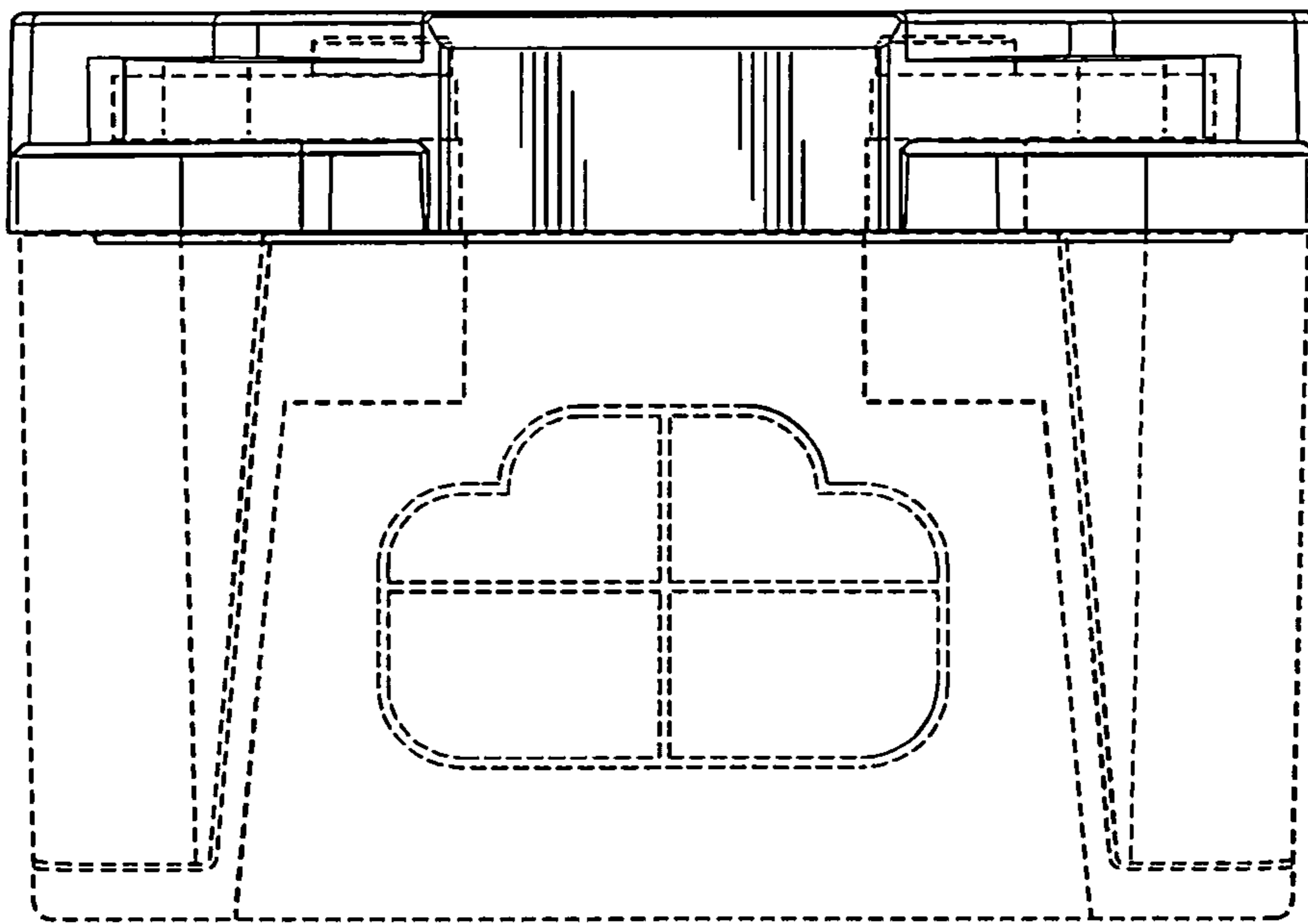


Fig. 5

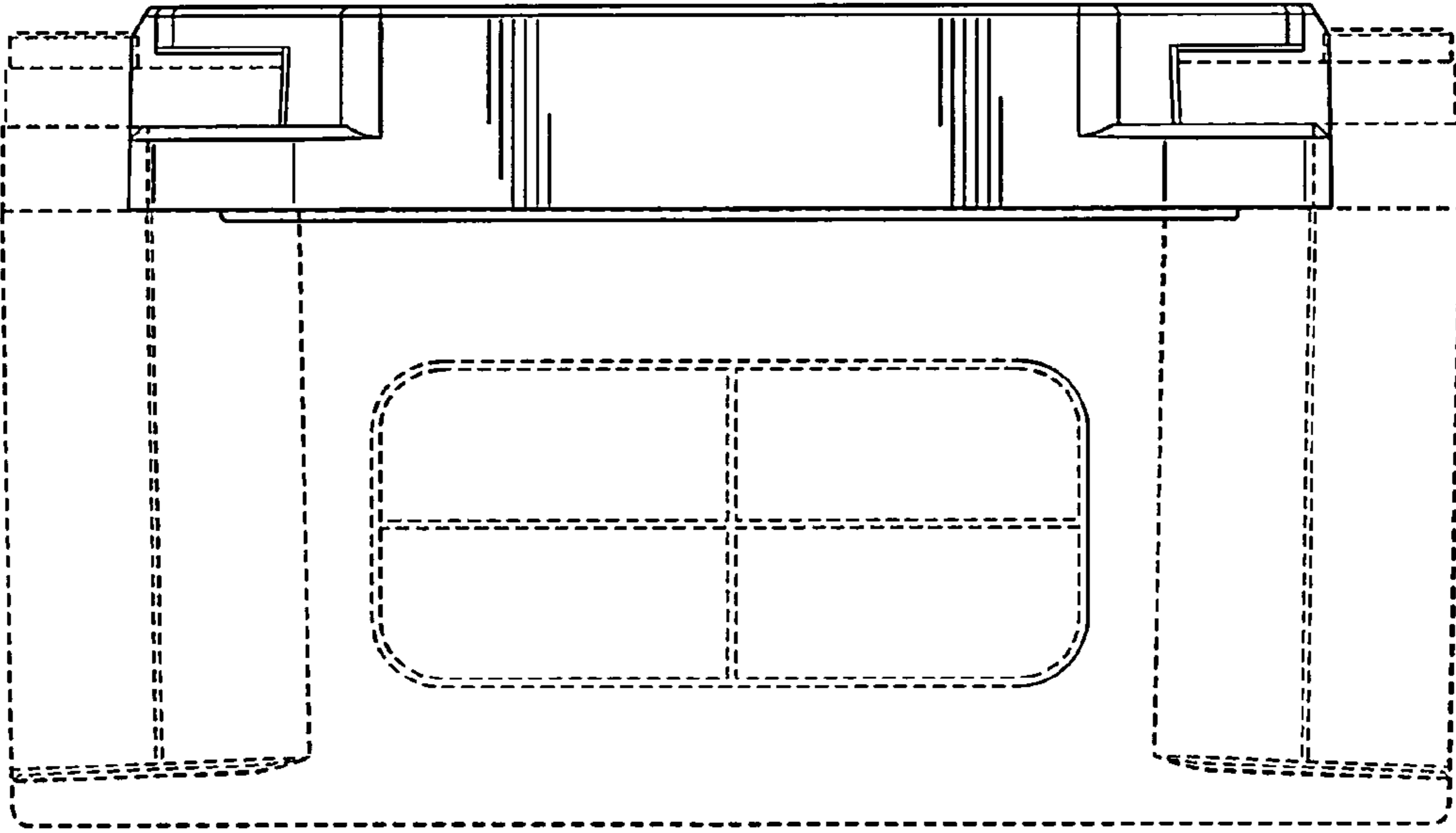


Fig. 6

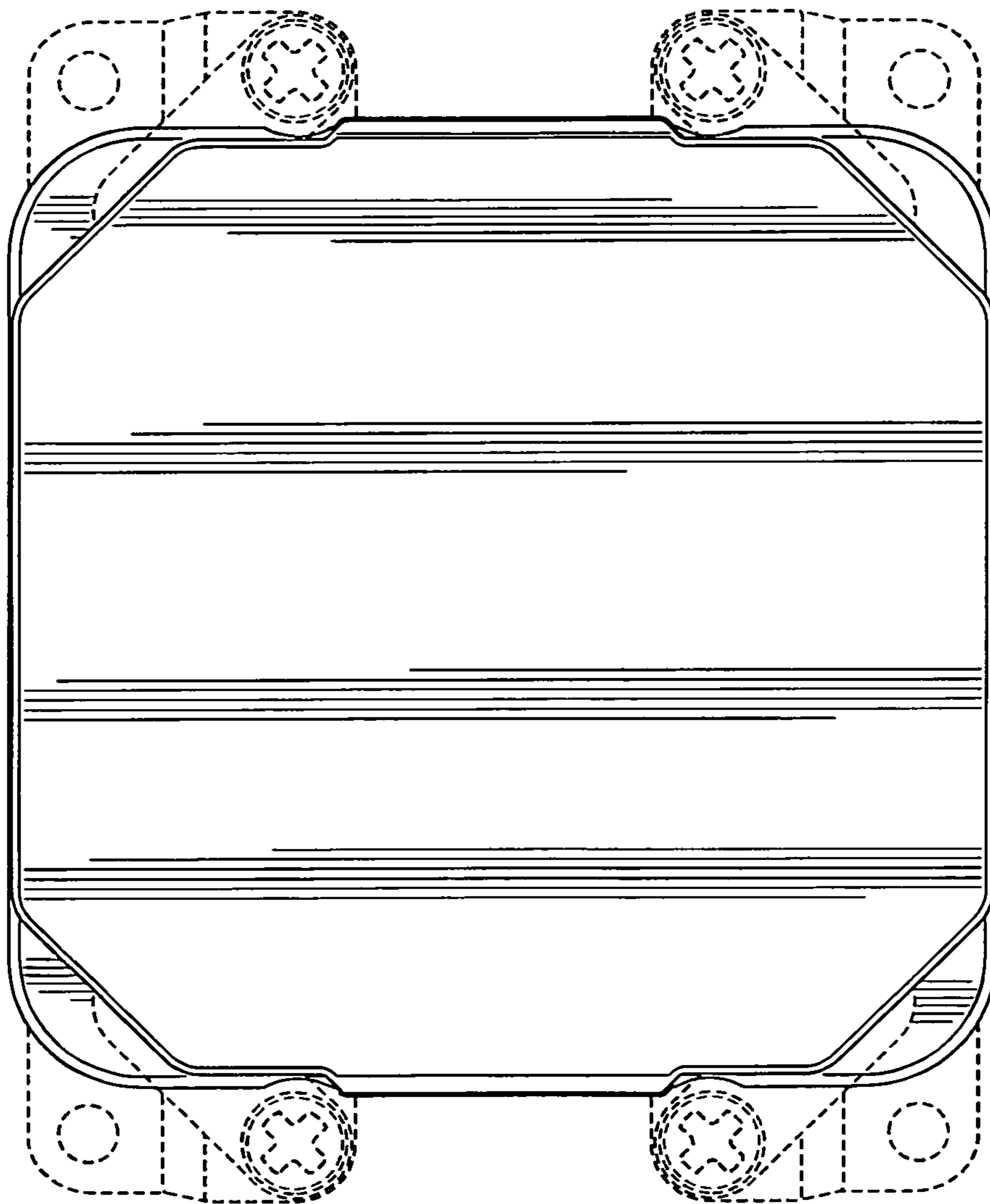


Fig. 7

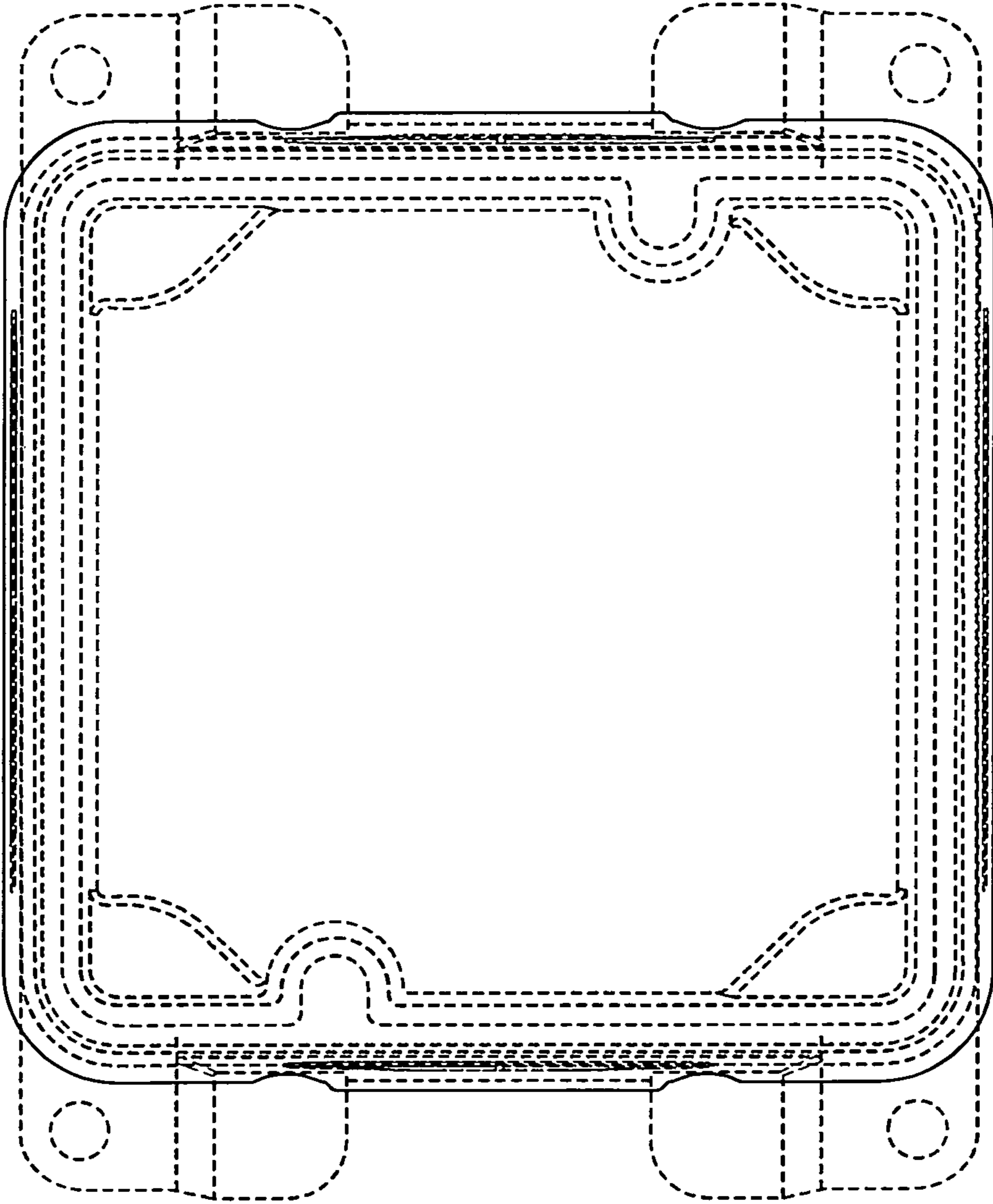


Fig. 8

