



US00D742325S

(12) **United States Design Patent**  
**Leung**

(10) **Patent No.:** **US D742,325 S**  
(45) **Date of Patent:** **\*\* Nov. 3, 2015**

(54) **ELECTRICAL JUNCTION BOX**

- (71) Applicant: **IPEX TECHNOLOGIES INC.**,  
Mississauga (CA)
- (72) Inventor: **Kwan Yu Leung**, Mississauga (CA)
- (73) Assignee: **IPEX TECHNOLOGIES INC.**,  
Mississauga (CA)
- (\*\*) Term: **14 Years**

- (21) Appl. No.: **29/474,289**
- (22) Filed: **Aug. 5, 2014**

(30) **Foreign Application Priority Data**

Jul. 25, 2014 (CA) ..... 157858

(51) **LOC (10) Cl.** ..... **13-03**

(52) **U.S. Cl.**  
USPC ..... **D13/152**

(58) **Field of Classification Search**  
USPC ..... D13/152, 184, 147, 156, 177, 119;  
174/58, 53; D8/350; 220/328, 325;  
403/408.1  
CPC ..... F16J 13/10; F16B 5/02  
See application file for complete search history.

(56) **References Cited**

**U.S. PATENT DOCUMENTS**

1,208,618 A	12/1916	Morrison	
2,263,842 A	11/1941	Gross	
2,263,843 A	11/1941	Gross	
2,642,016 A	6/1953	Thalmann	
3,296,763 A	1/1967	Curt	
3,480,311 A *	11/1969	Lanham, Jr.	403/408.1
3,951,300 A	4/1976	Kalasek	
4,129,395 A	12/1978	Theurer	

(Continued)

**OTHER PUBLICATIONS**

IPEX Technologies Inc., Box and Gasket Assembly, Jul. 19, 2011, 1 page containing 3 photo views, Mississauga ON Canada.

*Primary Examiner* — Holly Baynham  
*Assistant Examiner* — Rhea Shields

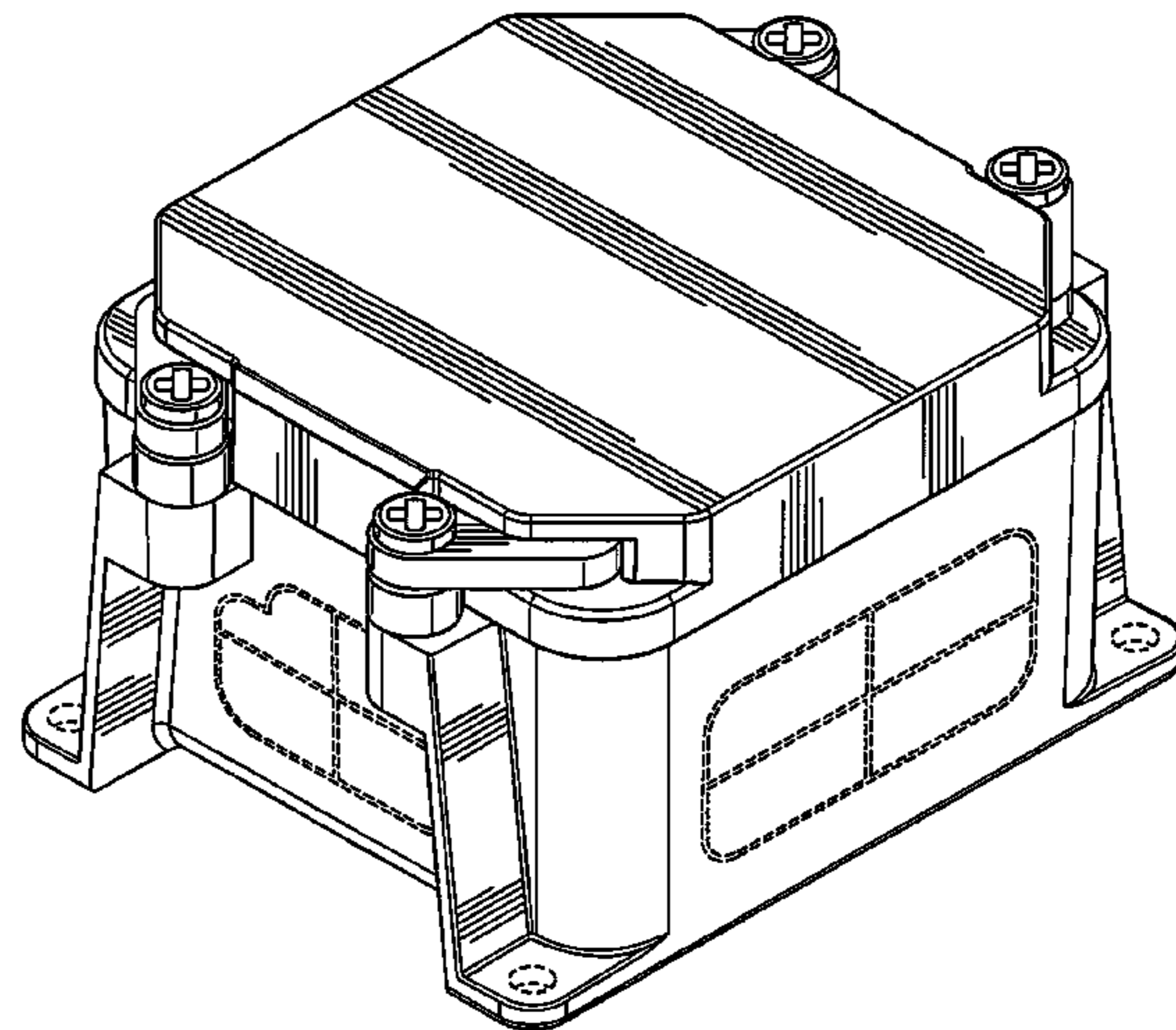
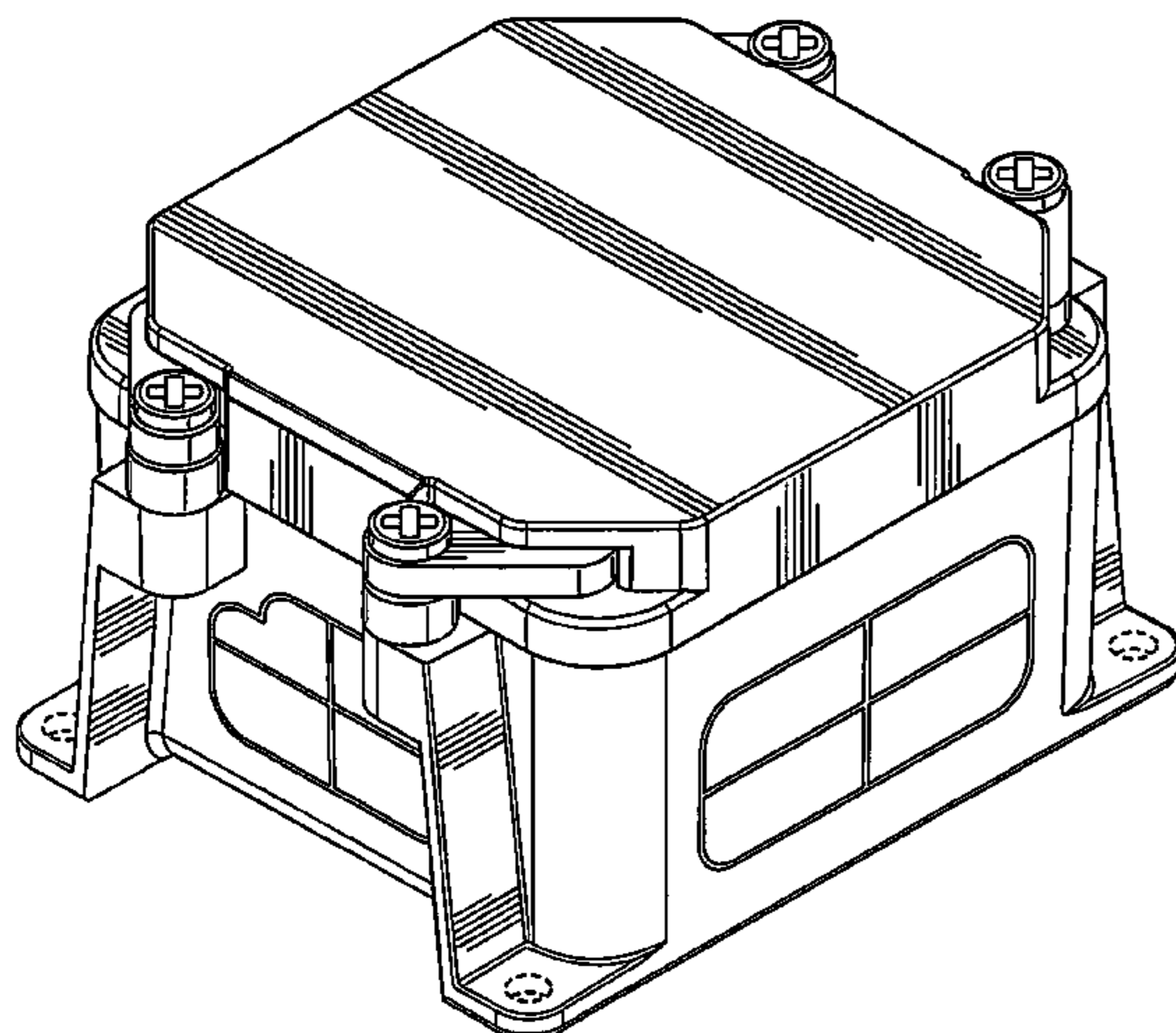
(57) **CLAIM**  
The ornamental design for an electrical junction box, as shown and described.

**DESCRIPTION**

FIG. 1 is a perspective front side view of a first embodiment of the electrical junction box;  
 FIG. 2 is a front elevational view of the design shown in FIG. 1;  
 FIG. 3 is a right side elevational view of the design shown in FIG. 1;  
 FIG. 4 is a rear elevational view of the design shown in FIG. 1;  
 FIG. 5 is a left side elevational view of the design shown in FIG. 1;  
 FIG. 6 is a top elevational view of the design shown in FIG. 1;  
 FIG. 7 is a bottom elevational view of the design shown in FIG. 1;  
 FIG. 8 is a perspective front view of a second embodiment of the electrical junction box;  
 FIG. 9 is a front elevational view of the design shown in FIG. 8;  
 FIG. 10 is a right side elevational view of the design shown in FIG. 8;  
 FIG. 11 is rear elevational view of the design shown in FIG. 8;  
 FIG. 12 is a left side elevational view of the design shown in FIG. 8;  
 FIG. 13 is a top perspective view of the design shown in FIG. 8; and,  
 FIG. 14 is a bottom perspective view of the design shown in FIG. 8.

In the drawings, the broken lines are for the purpose of illustrating environment only and form no part of the claimed design.

**1 Claim, 14 Drawing Sheets**



(56)

References Cited

U.S. PATENT DOCUMENTS

4,194,100	A	3/1980	Cox et al.				
4,358,130	A	11/1982	Adams				
4,827,504	A	5/1989	Collins et al.				
4,941,588	A	7/1990	Flider				
5,050,764	A	9/1991	Voss				
5,123,795	A	6/1992	Engel				
D331,225	S *	11/1992	Mooneyhan	.....	D13/152		
5,361,925	A *	11/1994	Wecke et al.	.....	220/325		
D372,703	S *	8/1996	Hannon et al.	.....	D13/152		
D374,429	S *	10/1996	Blais et al.	.....	D13/156		
5,865,336	A	2/1999	Krzywdziak				
D417,437	S *	12/1999	Kim, II	.....	D13/177		
D422,266	S *	4/2000	Roesch	.....	D13/152		
D422,565	S *	4/2000	Kim, II	.....	D13/152		
D423,461	S *	4/2000	Layton, Jr.	.....	D13/152		
D424,523	S *	5/2000	Hughes	.....	D13/147		
D462,329	S *	9/2002	Hughes et al.	.....	D13/152		
6,530,629	B2	3/2003	Shyr				
D499,070	S *	11/2004	Lavington	.....	D13/119		
7,032,708	B2	4/2006	Popken				
D556,143	S	11/2007	Ni				
D560,170	S	1/2008	Ni				
D563,895	S *	3/2008	Stuckmann et al.	.....	D13/152		
D588,067	S *	3/2009	Seropian	.....	D13/152		
D593,970	S *	6/2009	Sonntag	.....	D13/184		
7,607,553	B2 *	10/2009	Weber	.....	220/328		
D606,033	S *	12/2009	Sonntag	.....	D13/184		
D626,509	S *	11/2010	Severing	.....	D13/147		
D632,256	S *	2/2011	Higuchi	.....	D13/152		
D635,098	S *	3/2011	Ismert	.....	D13/152		
D636,343	S *	4/2011	Leal et al.	.....	D13/152		
D638,367	S *	5/2011	Isaacks et al.	.....	D13/152		
D638,387	S	5/2011	Honda				
7,997,841	B2	8/2011	Show				
8,152,125	B2	4/2012	Romerein et al.				
8,272,528	B2	9/2012	Dunn				
D676,814	S *	2/2013	Paul	.....	D13/152		
8,437,119	B2	5/2013	Tagano				
D686,995	S *	7/2013	Nikayin	.....	D13/152		
D686,997	S *	7/2013	Inaba et al.	.....	D13/152		
D688,211	S *	8/2013	Xue et al.	.....	D13/152		
D688,241	S	8/2013	Miller et al.				
8,575,483	B2 *	11/2013	Gauthier	.....	174/58		
D698,318	S *	1/2014	Villen Hernandez				
			et al.	.....	D13/152		
D702,198	S *	4/2014	Gretz	.....	D13/184		
8,689,932	B2	4/2014	Dupont				
8,708,183	B2	4/2014	Burke				
8,748,744	B2 *	6/2014	O'Connor et al.	.....	174/53		
D709,835	S *	7/2014	Jones	.....	D13/152		
D711,834	S *	8/2014	Jones	.....	D13/152		
D713,355	S *	9/2014	Jones et al.	.....	D13/152		
D714,617	S *	10/2014	Miller et al.	.....	D8/350		
2003/0066832	A1	4/2003	Kipka et al.				
2011/0199747	A1	8/2011	Ishii				
2011/0262243	A1	10/2011	Glickman				
2013/0228569	A1	9/2013	Jolly				

\* cited by examiner

Fig. 1

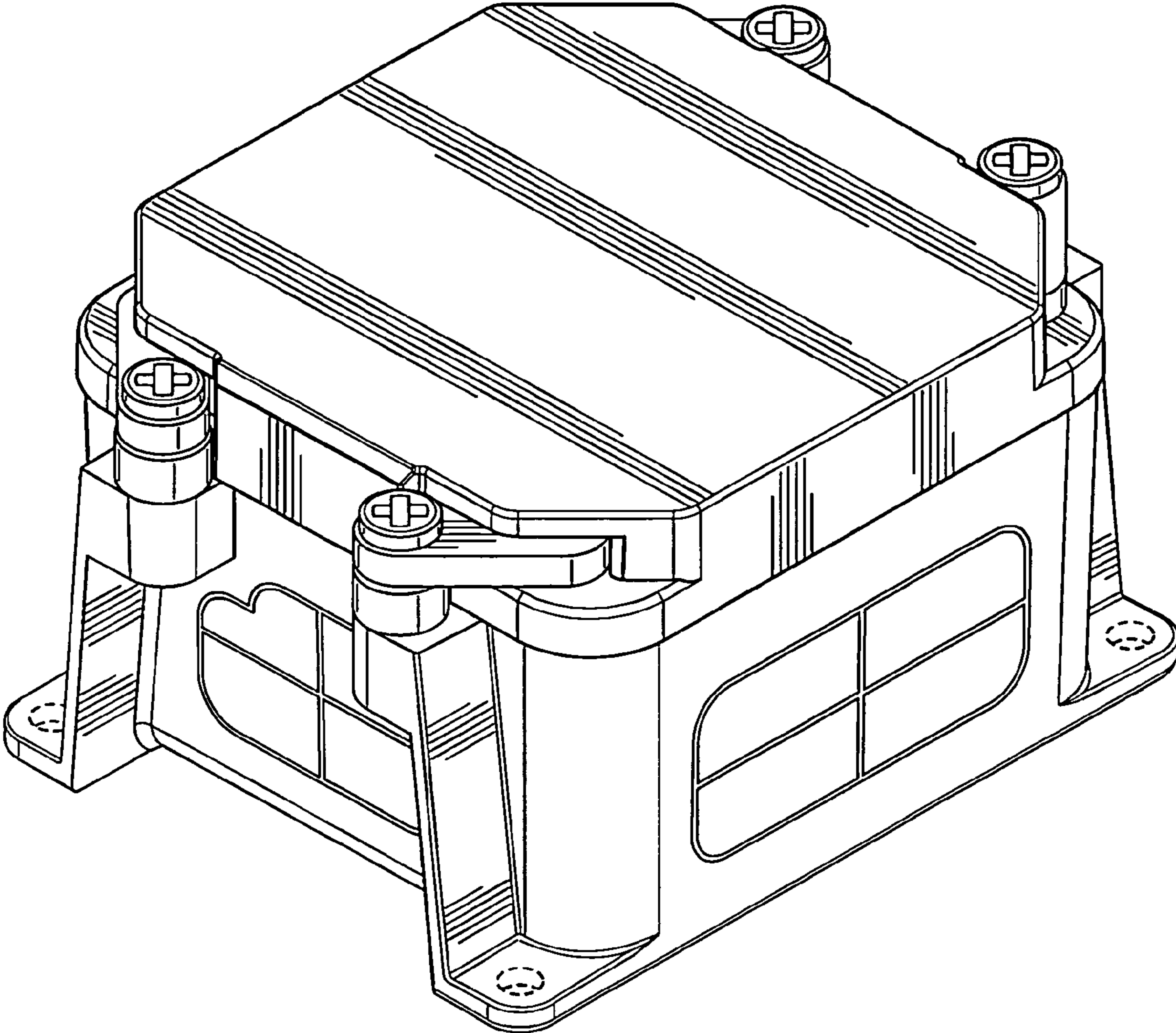


Fig. 2

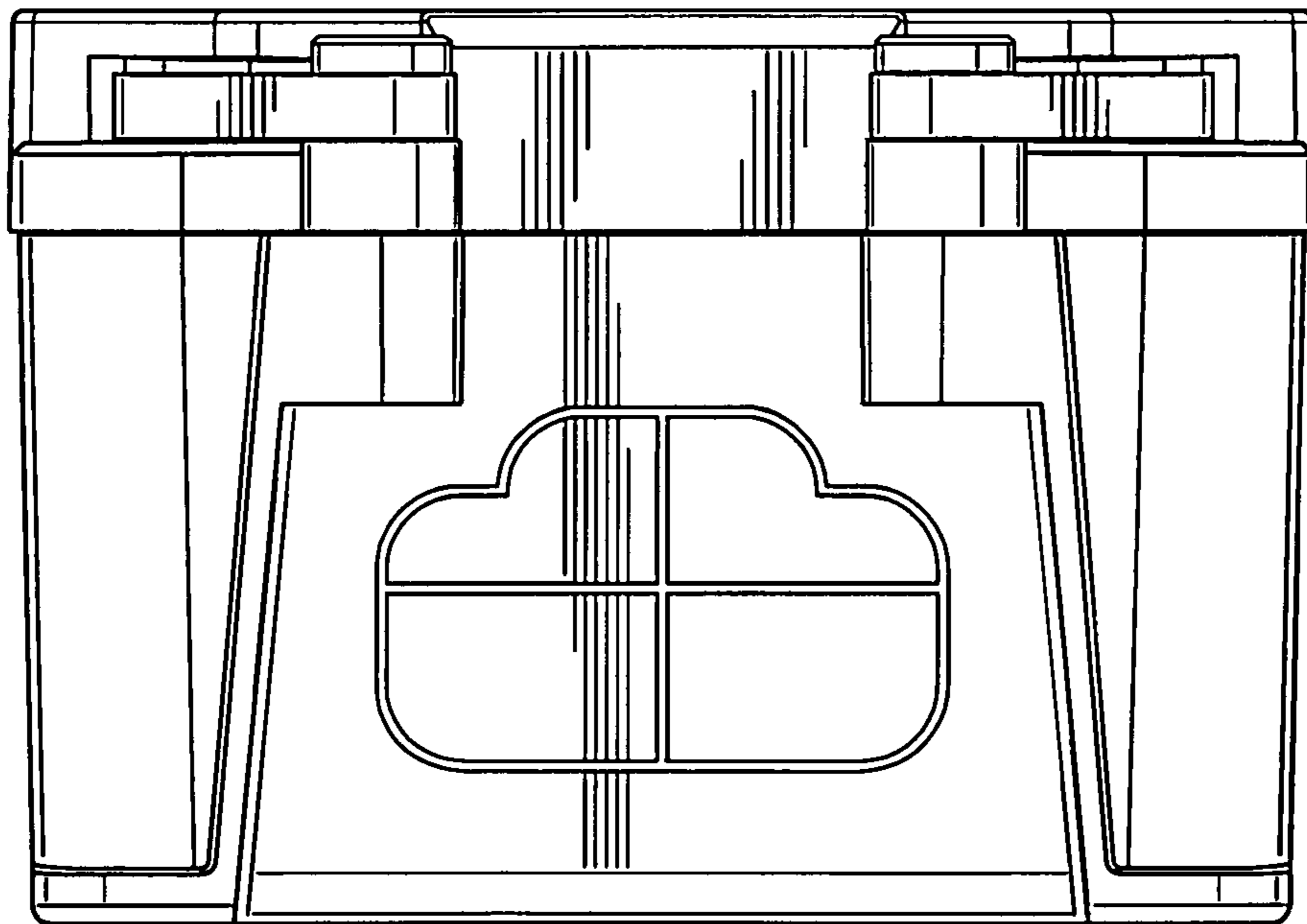


Fig. 3

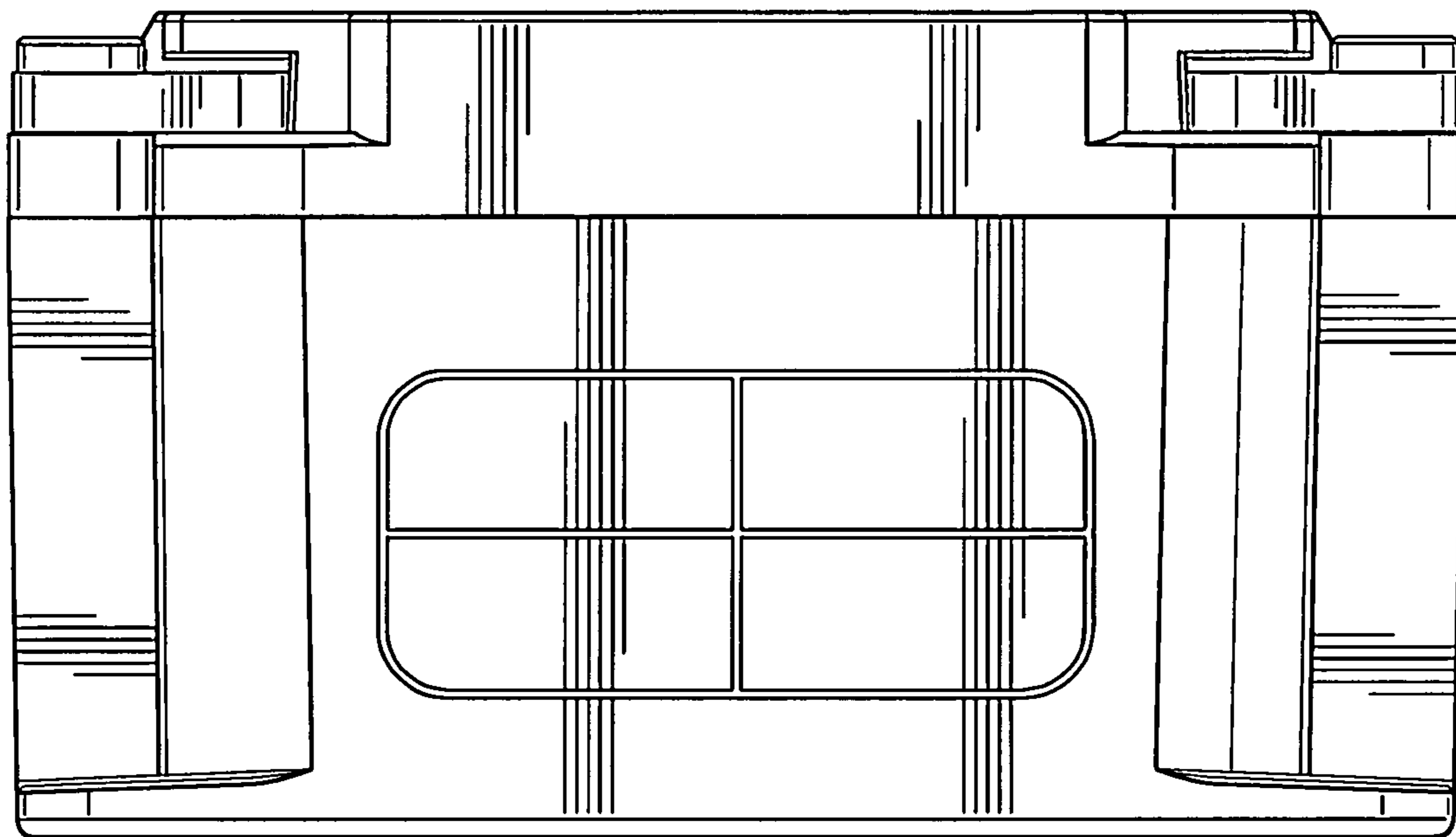


Fig. 4

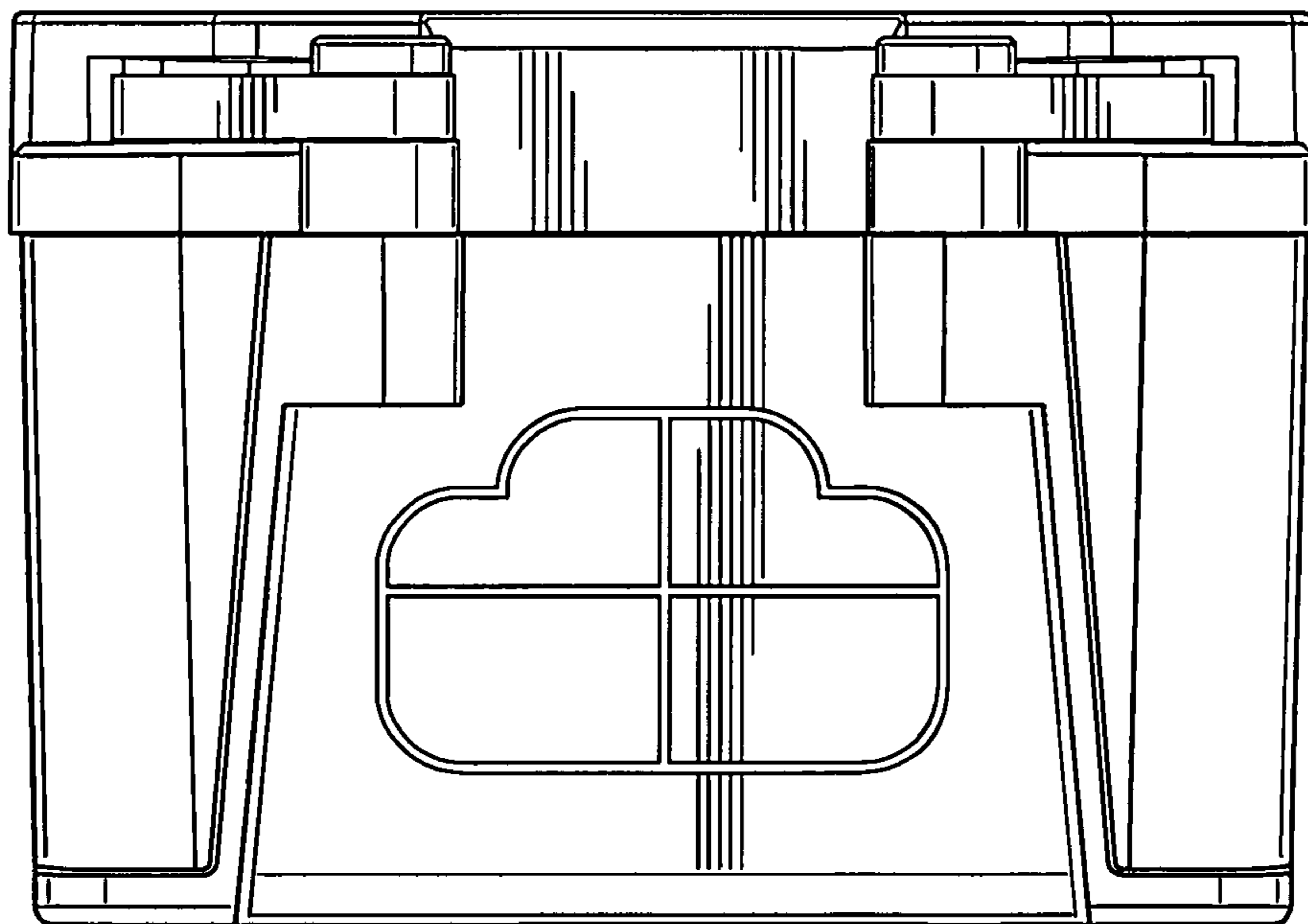


Fig. 5

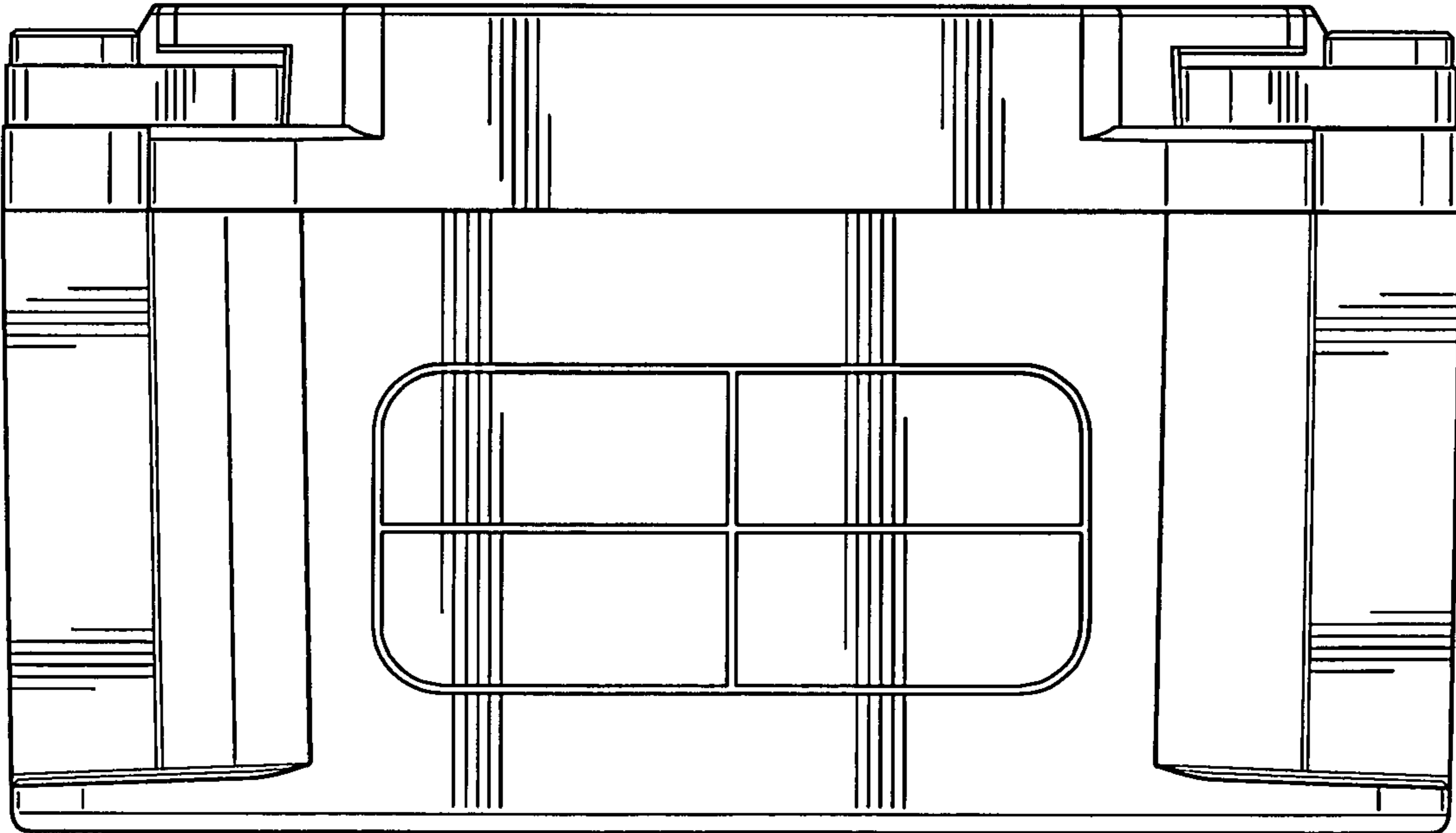


Fig. 6

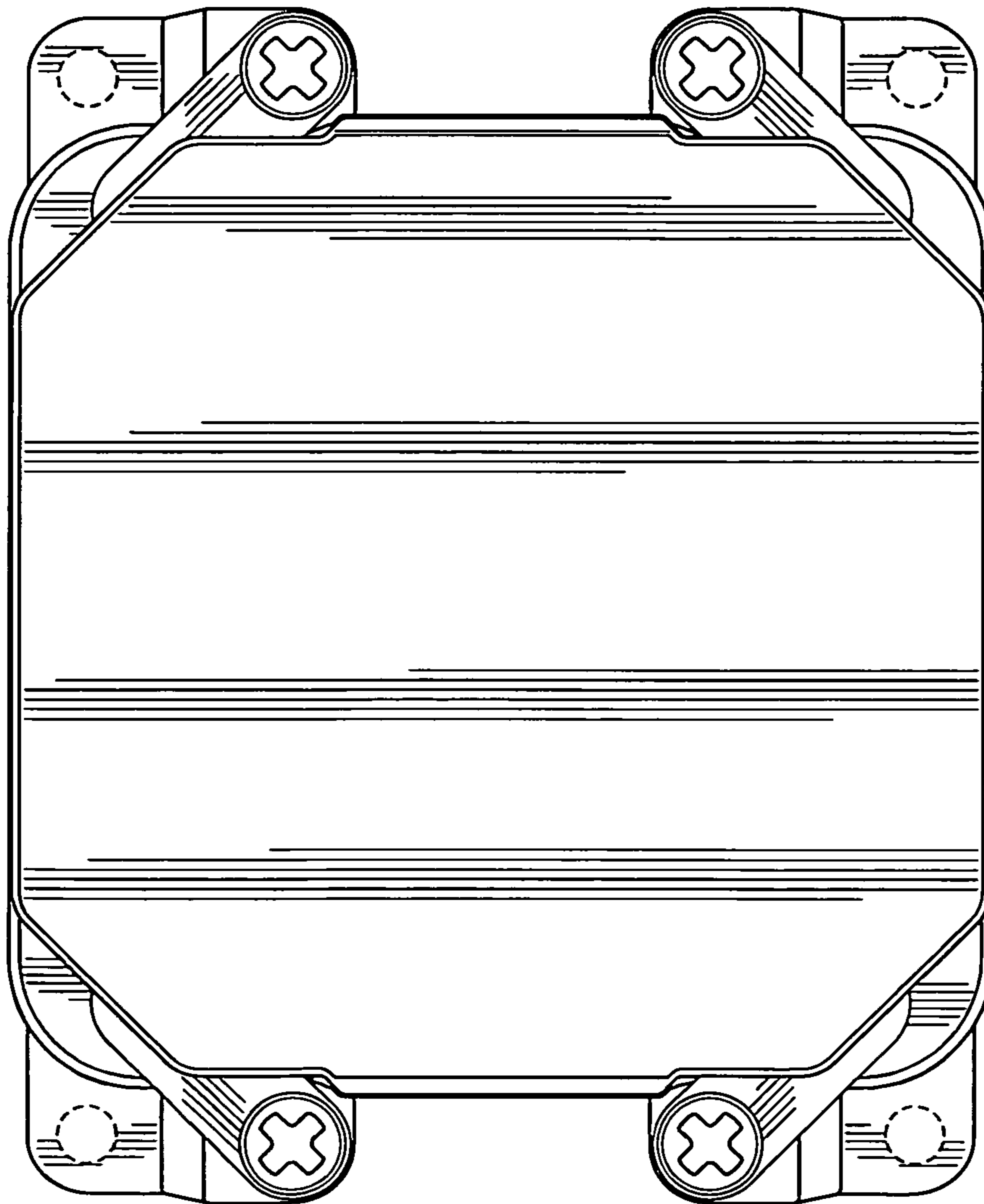




Fig. 7

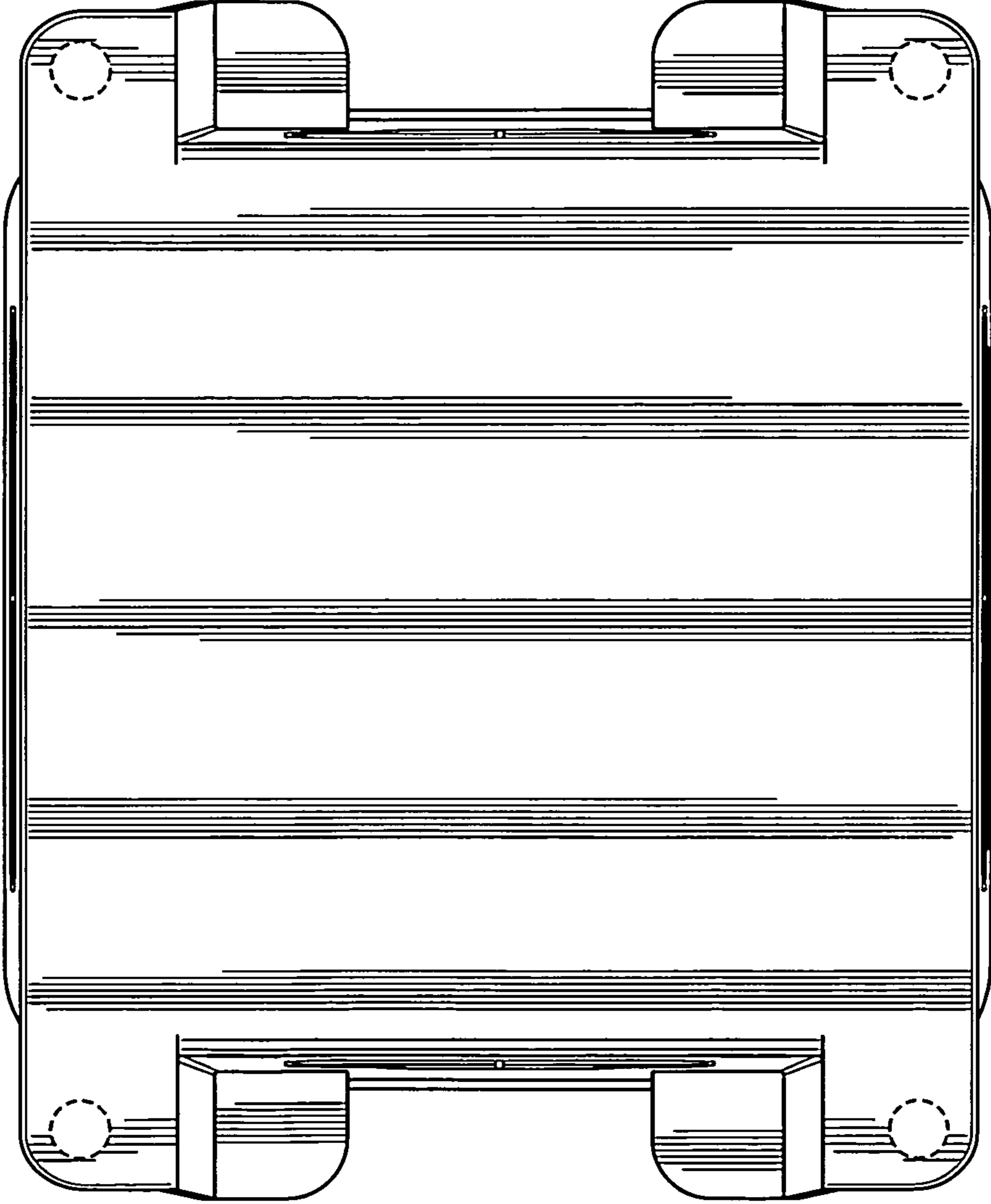


Fig. 8

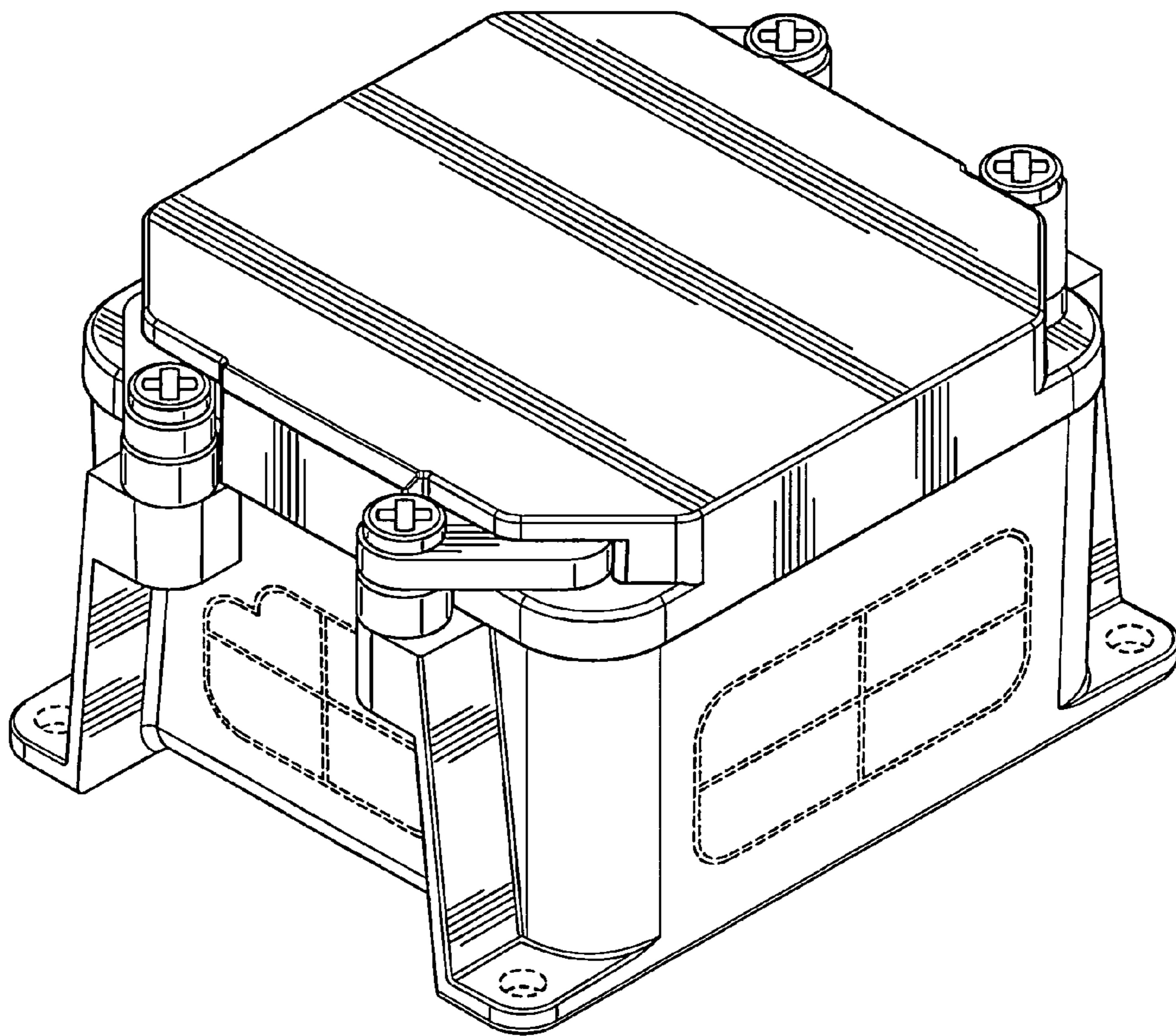


Fig. 9

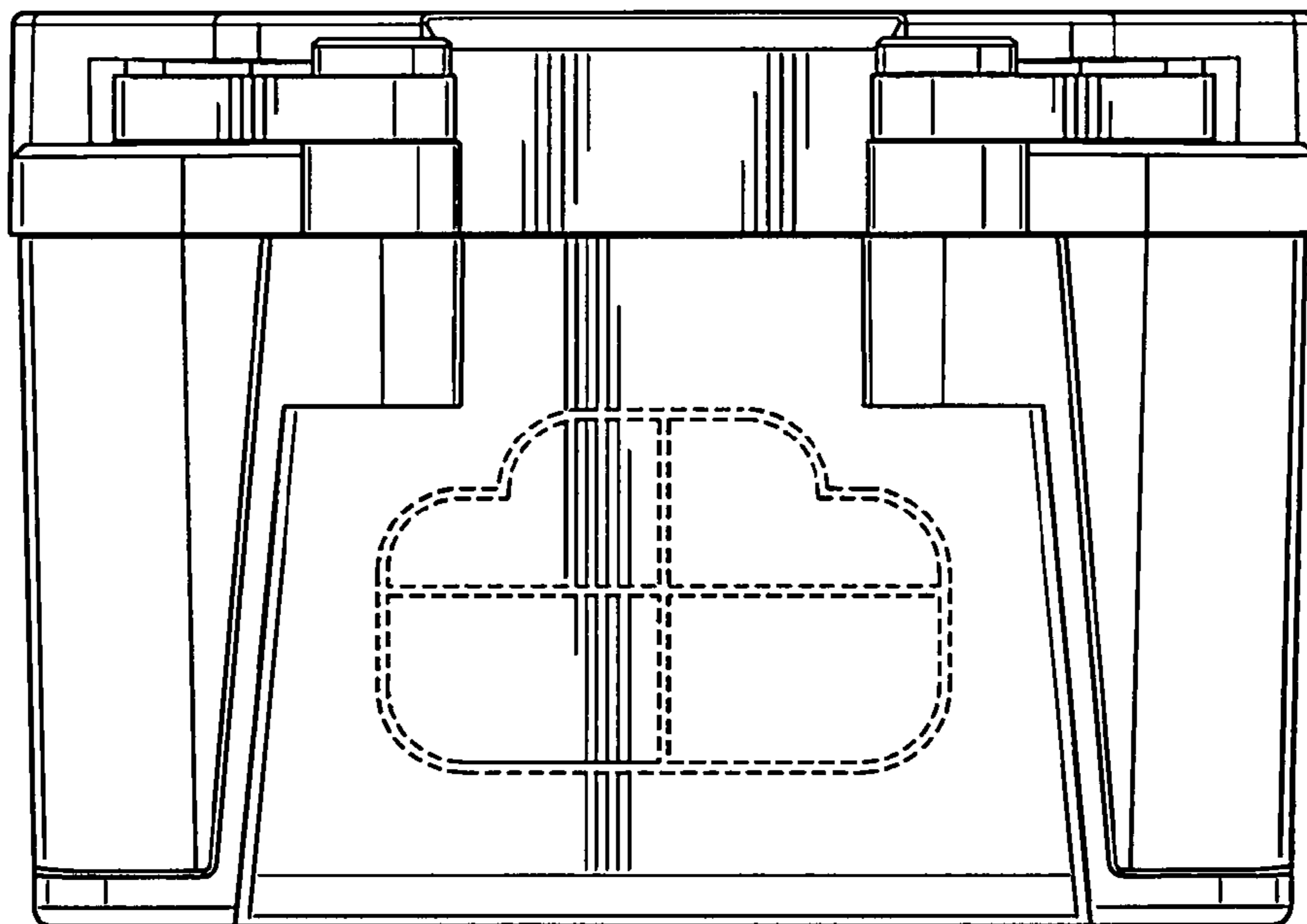


Fig. 10

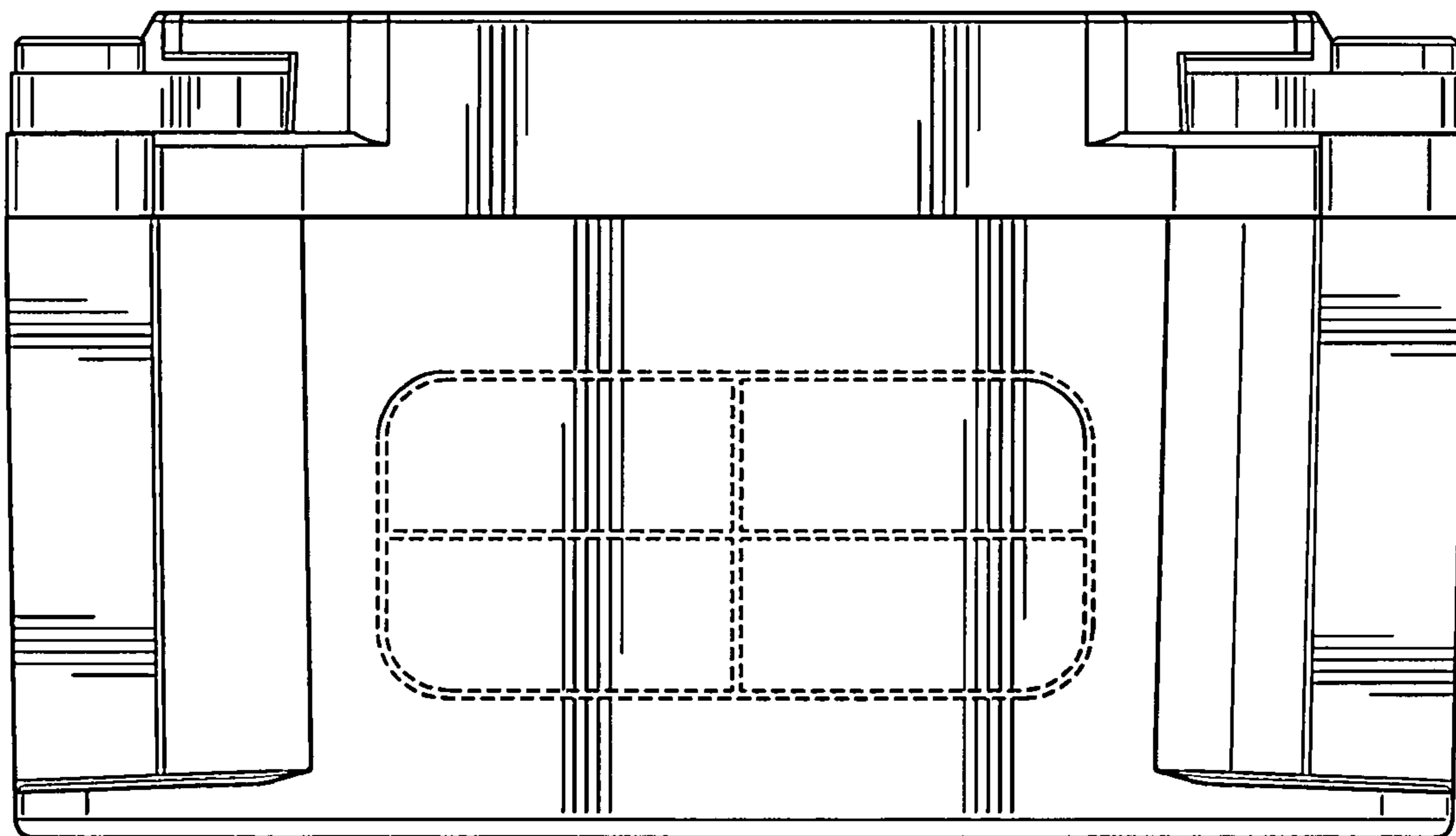


Fig. 11

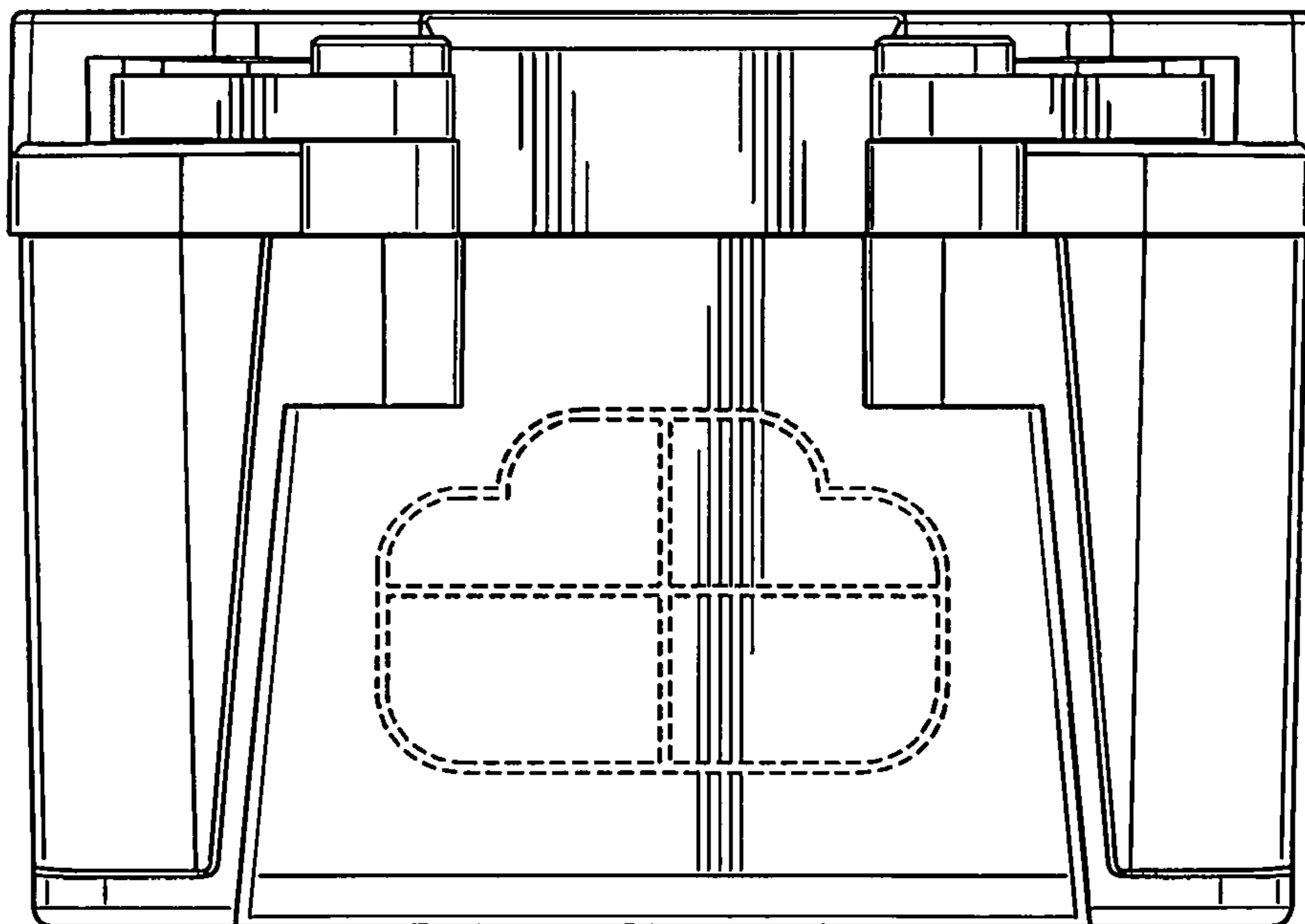


Fig. 12

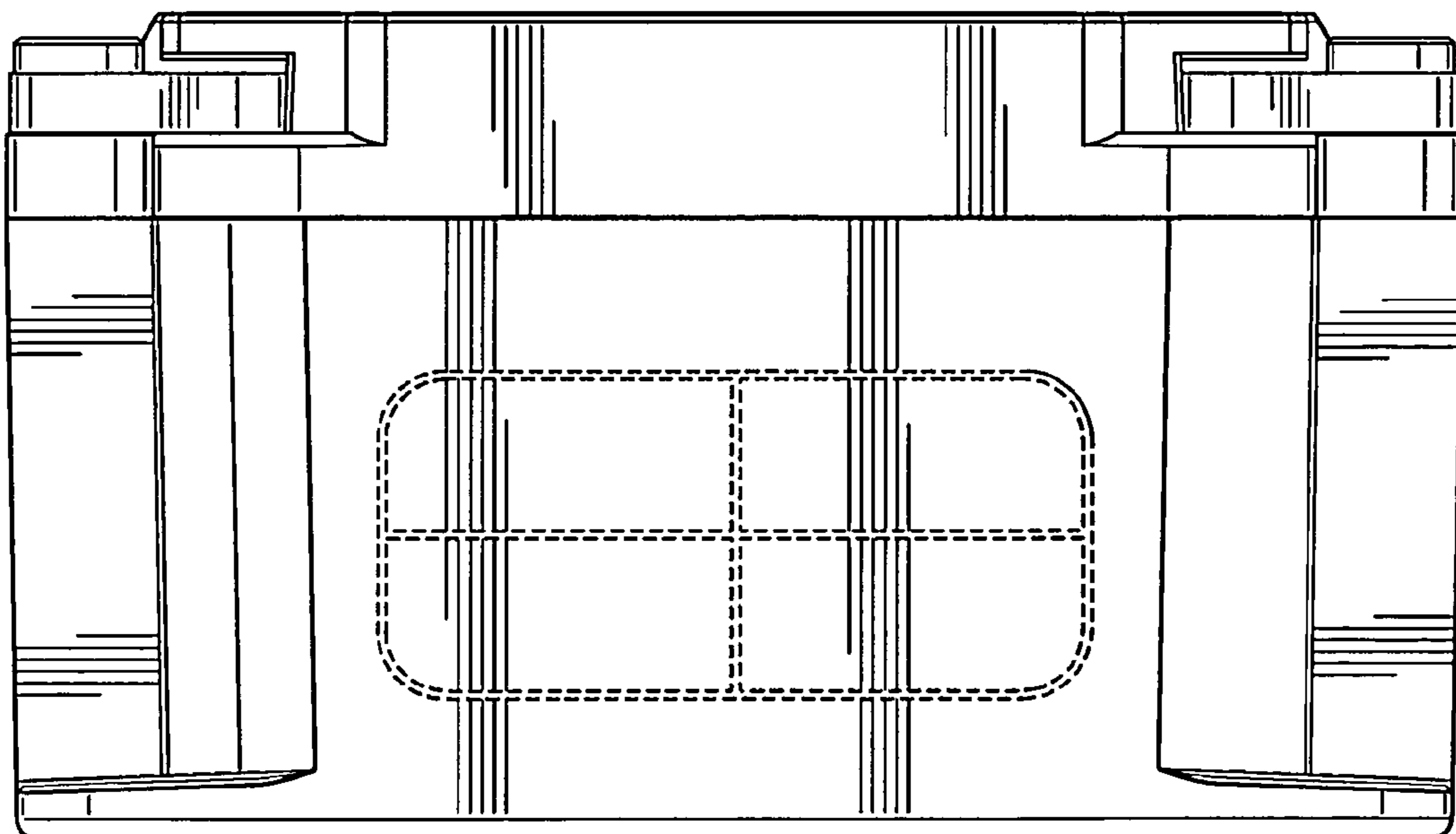


Fig. 13

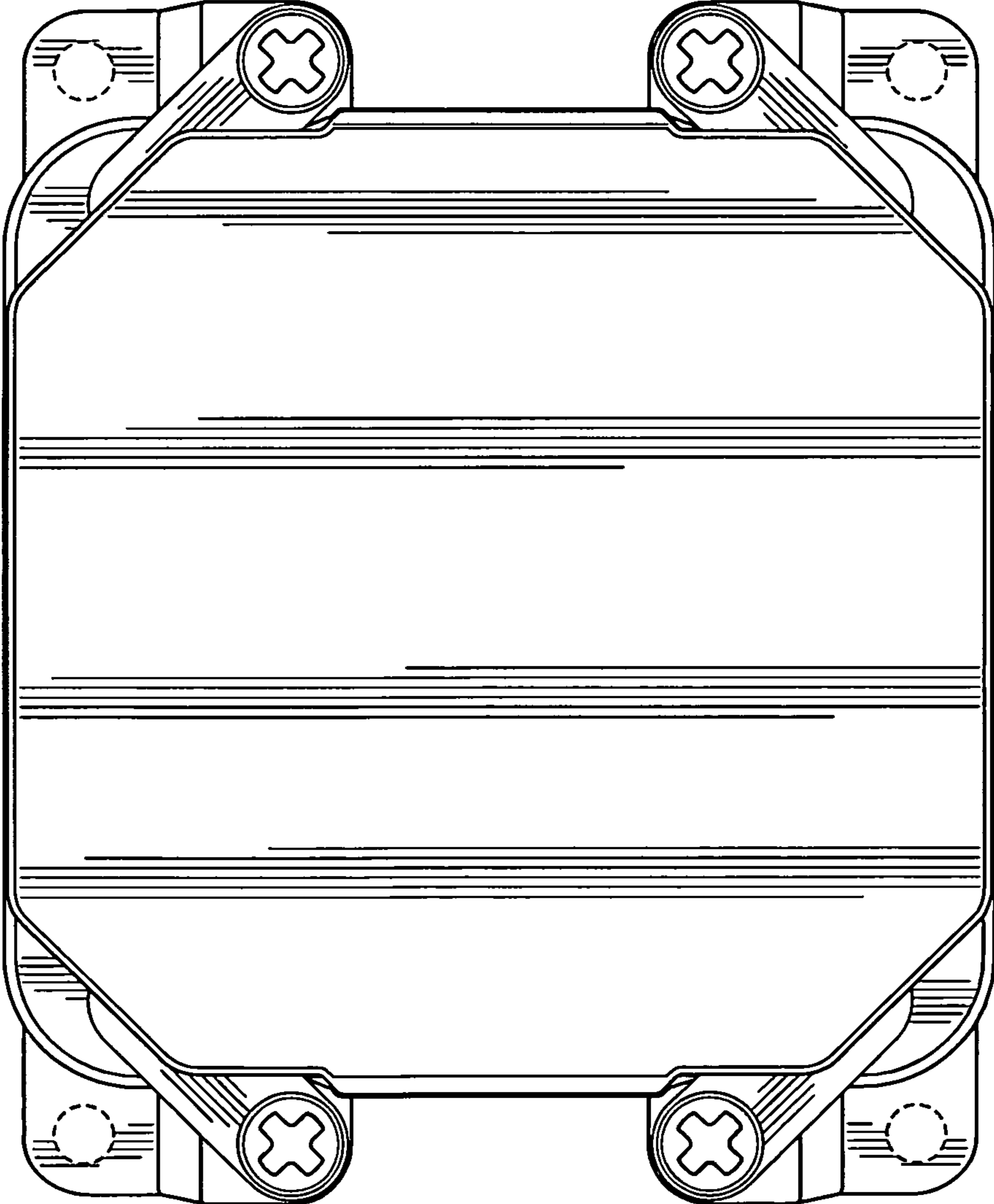


Fig. 14

