



US00D742323S

(12) **United States Design Patent**
Endo et al.

(10) **Patent No.:** **US D742,323 S**
(45) **Date of Patent:** **** Nov. 3, 2015**

(54) **HOUSING FOR AN ELECTRIC CONNECTOR**

(71) Applicant: **DAI-ICHI SEIKO CO., LTD.**, Kyoto (JP)

(72) Inventors: **Takayoshi Endo**, Shizuoka (JP); **Jun Mukunoki**, Shizuoka (JP); **Daisuke Matsushita**, Shizuoka (JP); **Hikaru Naoi**, Shizuoka (JP)

(73) Assignee: **DAI-ICHI SEIKO CO., LTD.**, Kyoto (JP)

(**) Term: **14 Years**

(21) Appl. No.: **29/513,470**

(22) Filed: **Dec. 31, 2014**

(30) **Foreign Application Priority Data**

Jul. 9, 2014 (JP) 2014-015044
Jul. 11, 2014 (JP) 2014-015217

(51) **LOC (10) Cl.** **13-03**

(52) **U.S. Cl.**
USPC **D13/147**

(58) **Field of Classification Search**
USPC D13/133, 147, 154, 184, 199
See application file for complete search history.

(56) **References Cited**

U.S. PATENT DOCUMENTS

D335,649 S * 5/1993 Ogawa D13/147
D463,370 S * 9/2002 Chen D13/147
D502,922 S * 3/2005 Cheng et al. D13/147

D523,399 S * 6/2006 Sakamaki et al. D13/147
D605,133 S * 12/2009 Tanaka et al. D13/147
D614,140 S * 4/2010 Lee et al. D13/147
D639,746 S * 6/2011 Lee et al. D13/147
D640,634 S * 6/2011 Lee et al. D13/147
D718,246 S * 11/2014 Endo et al. D13/147
D719,098 S * 12/2014 Endo et al. D13/147

* cited by examiner

Primary Examiner — Daniel Bui

(74) *Attorney, Agent, or Firm* — Wenderoth, Lind & Ponack, L.L.P.

(57) **CLAIM**

The ornamental design for a housing for an electric connector, as shown in the drawings and described above.

DESCRIPTION

FIG. 1 is a front, top, and right side perspective view of a housing for an electric connector showing our new design; FIG. 2 is a front, bottom, and right side perspective view thereof;

FIG. 3 is a front elevation view thereof;

FIG. 4 is a rear elevation view thereof;

FIG. 5 is a top plan view thereof;

FIG. 6 is a bottom plan view thereof;

FIG. 7 is a right side view thereof;

FIG. 8 is a left side view thereof;

FIG. 9 is a front, bottom, and right side perspective view thereof, in an exploded condition; and,

FIG. 10 is a front, top, and right side perspective view thereof, in use condition.

The broken lines shown in the drawings are included for the purpose of illustrating unclaimed environment only, and form no part of the claimed design.

1 Claim, 5 Drawing Sheets

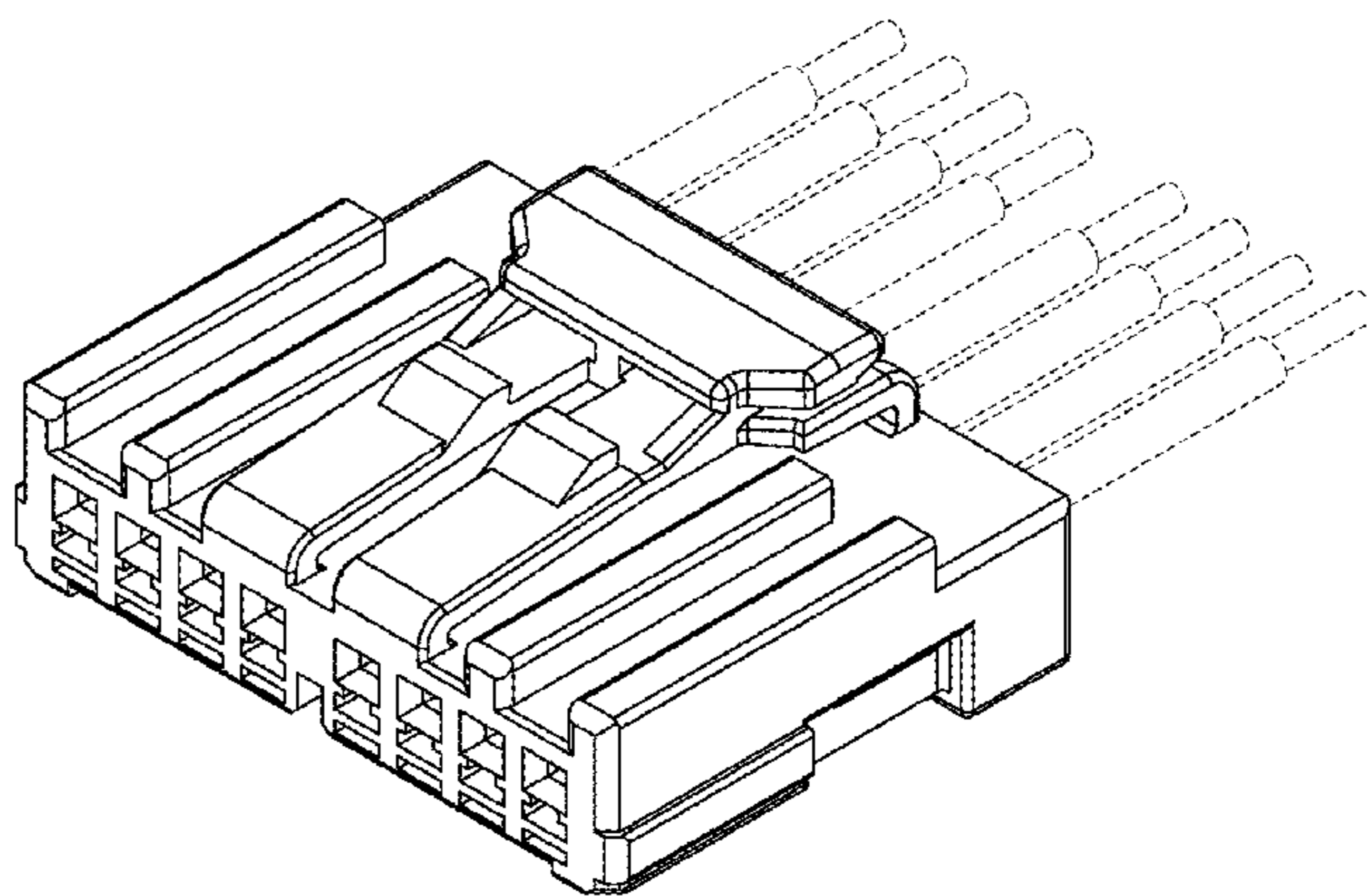
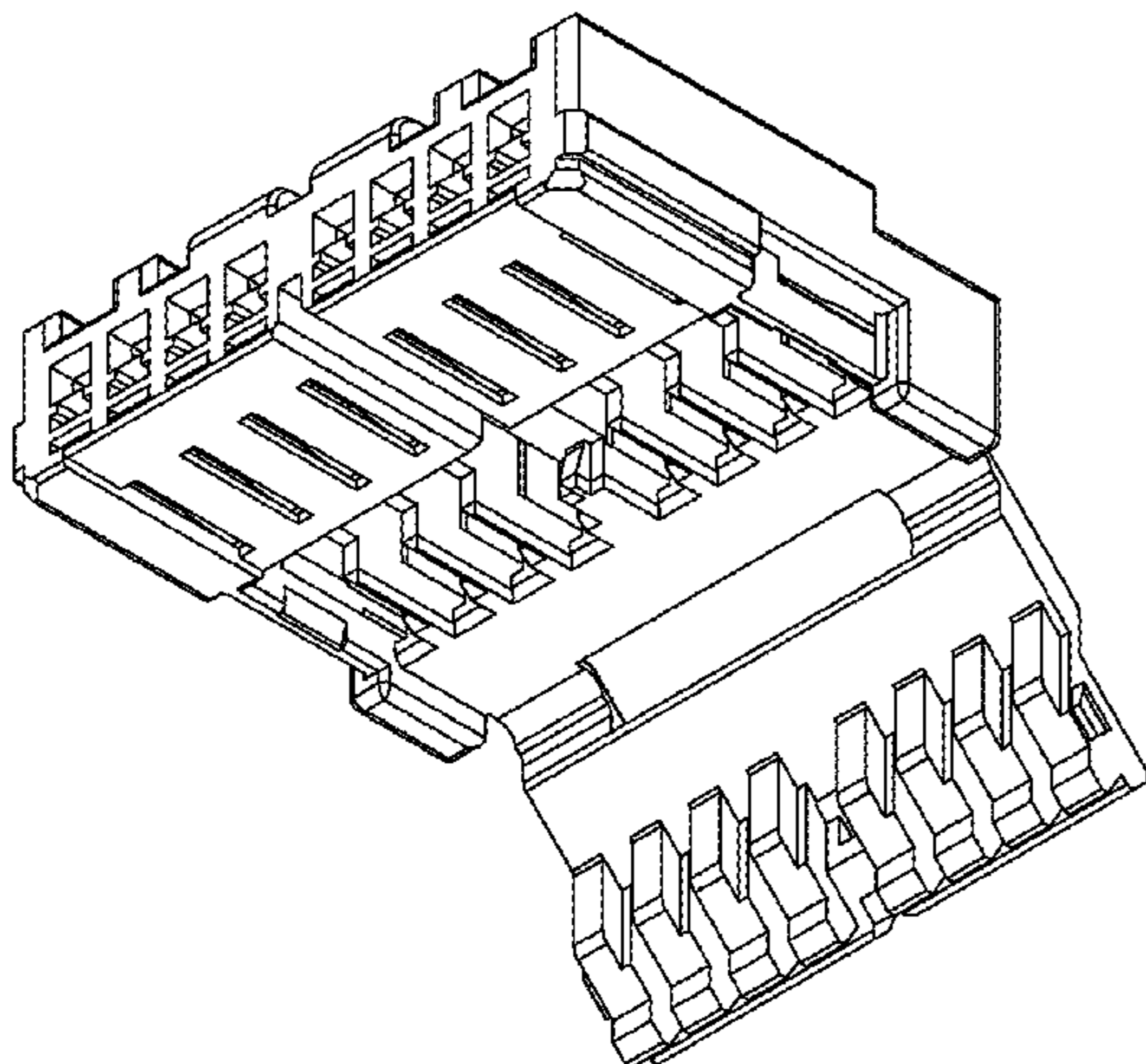


FIG. 1

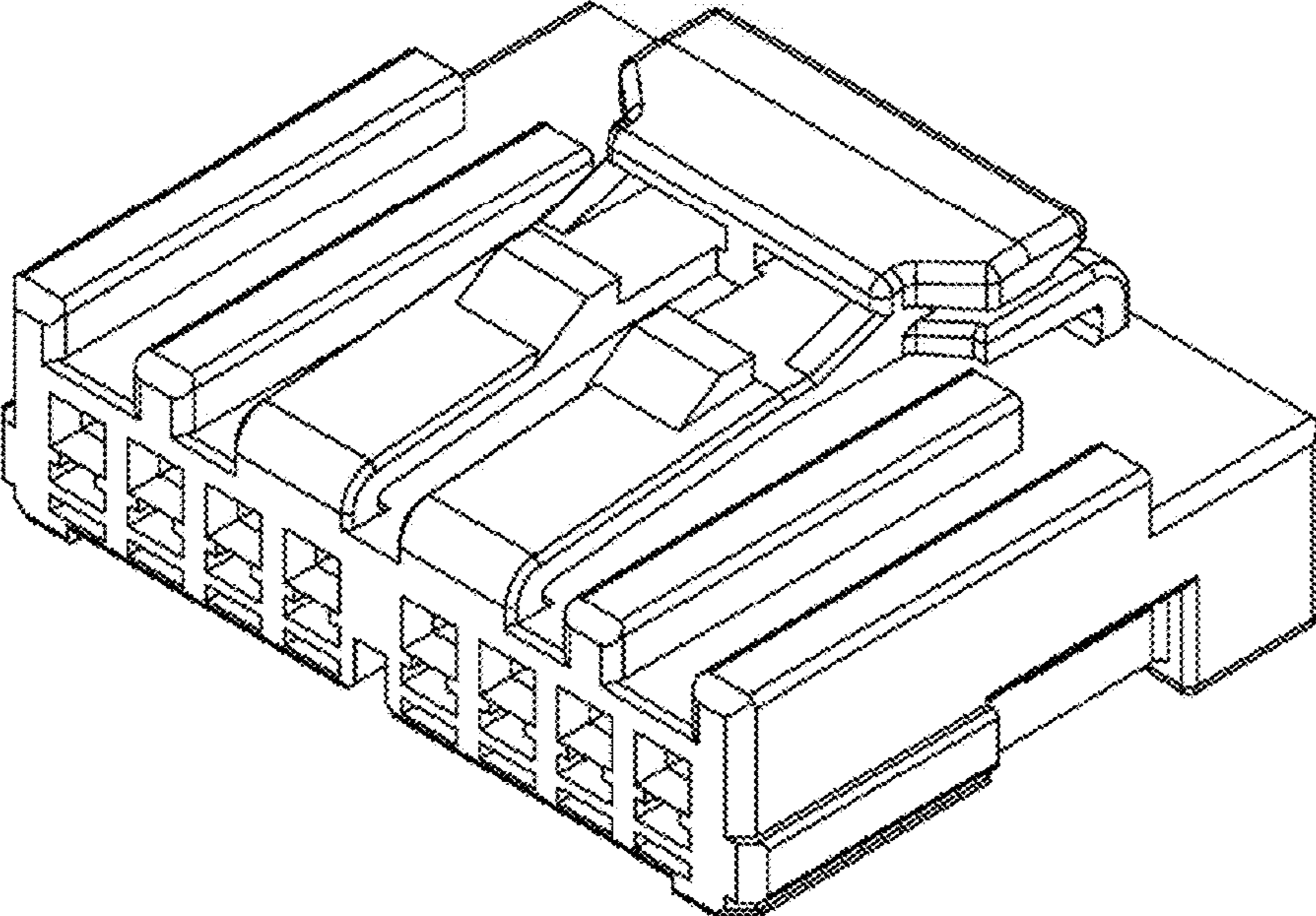


FIG. 2

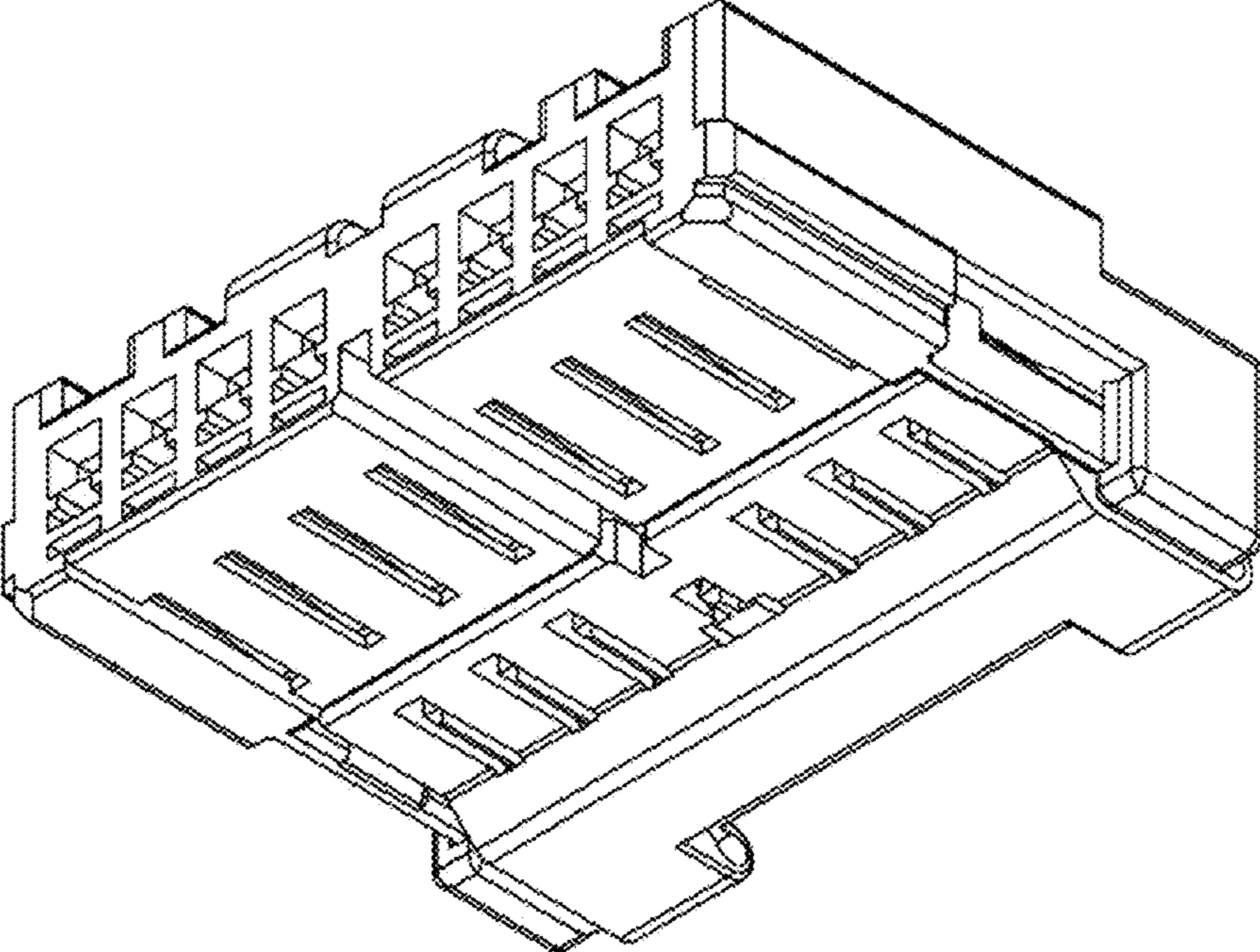


FIG. 3

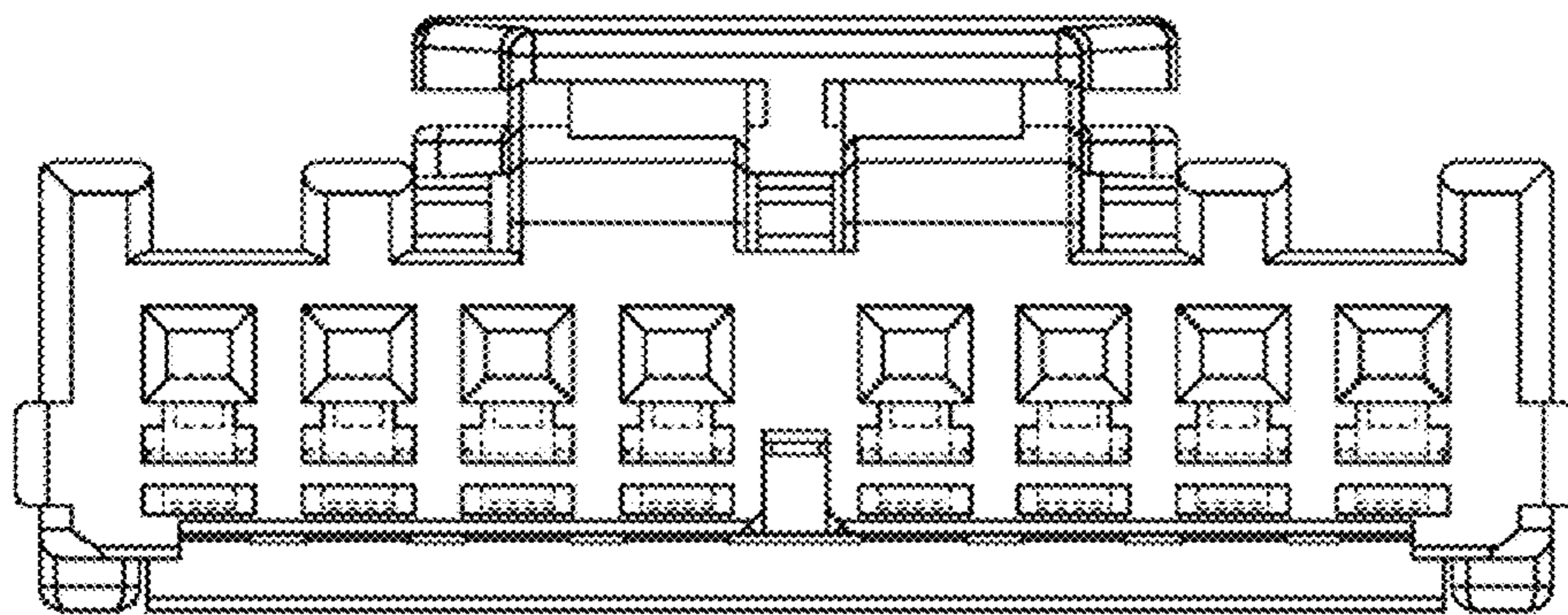


FIG. 4

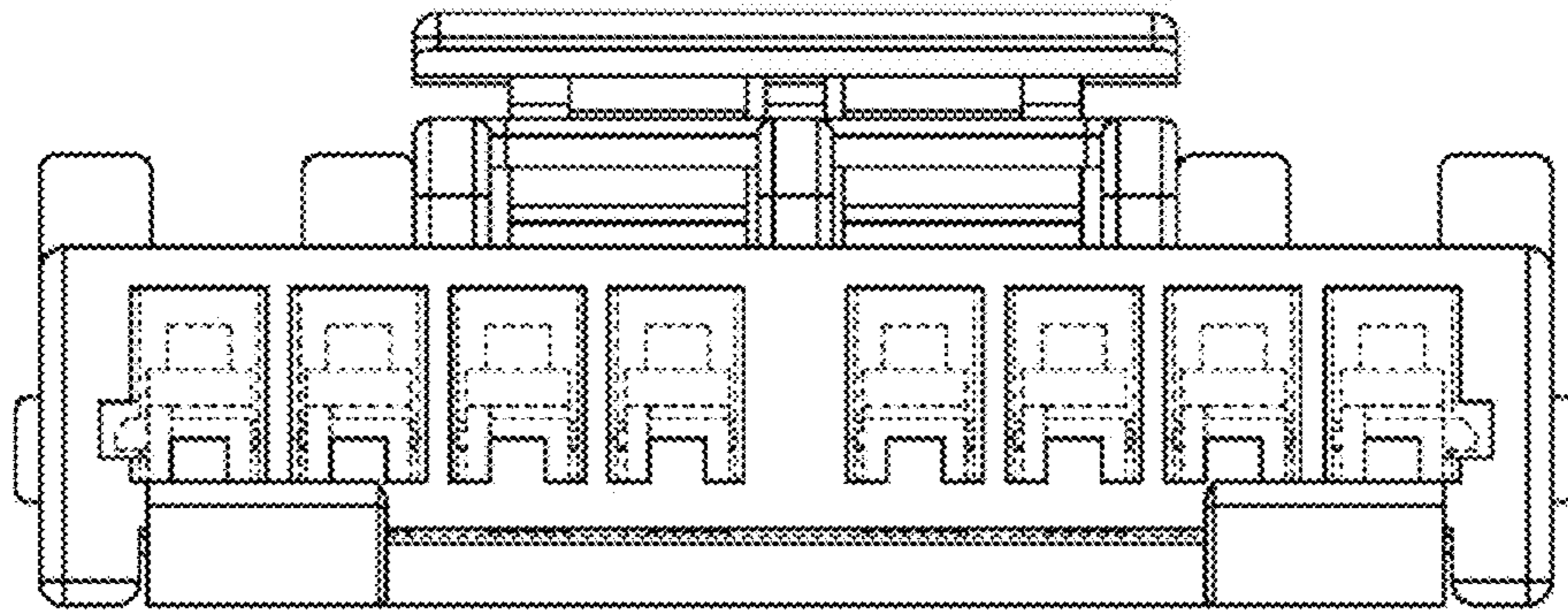


FIG. 5

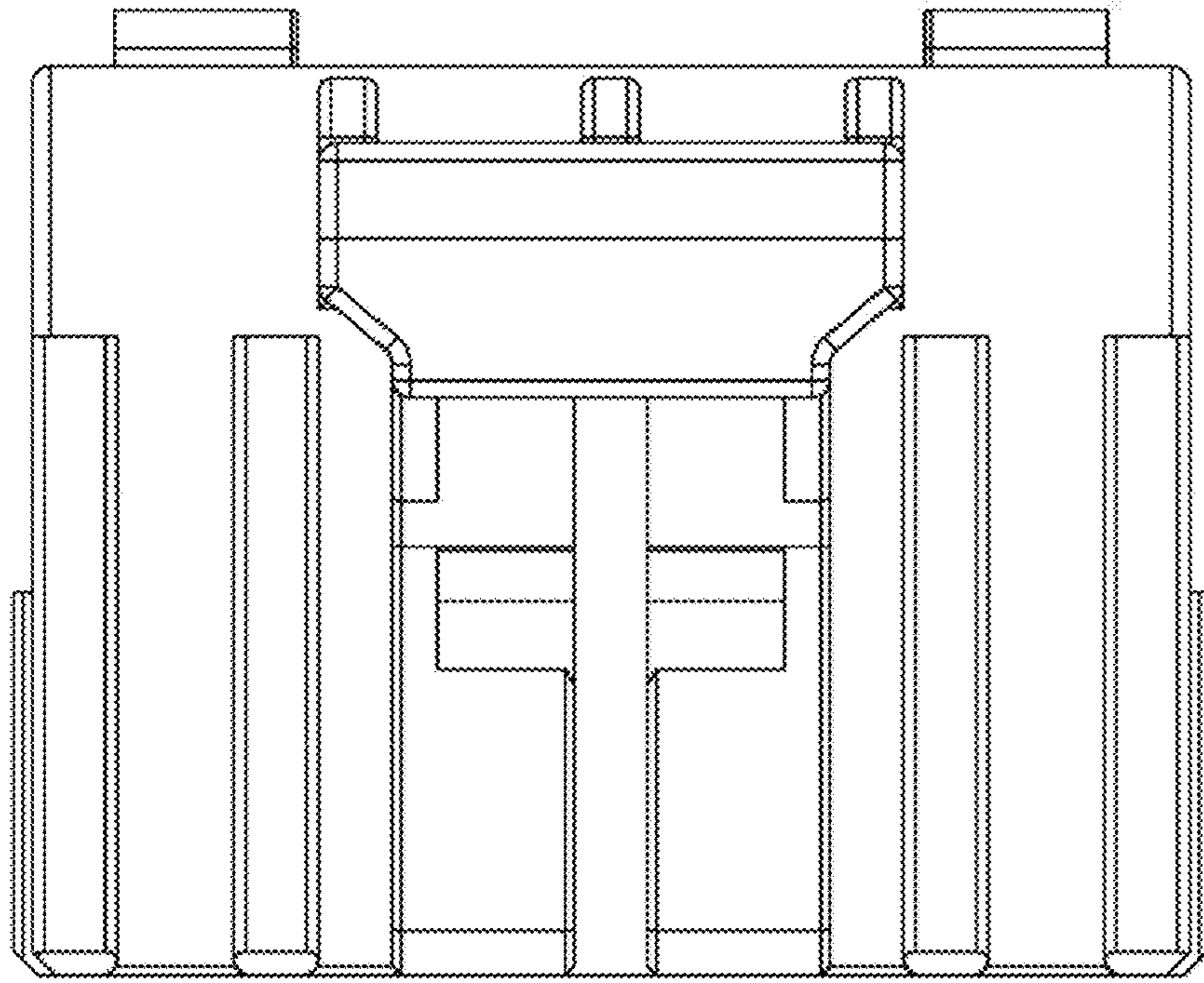


FIG. 6

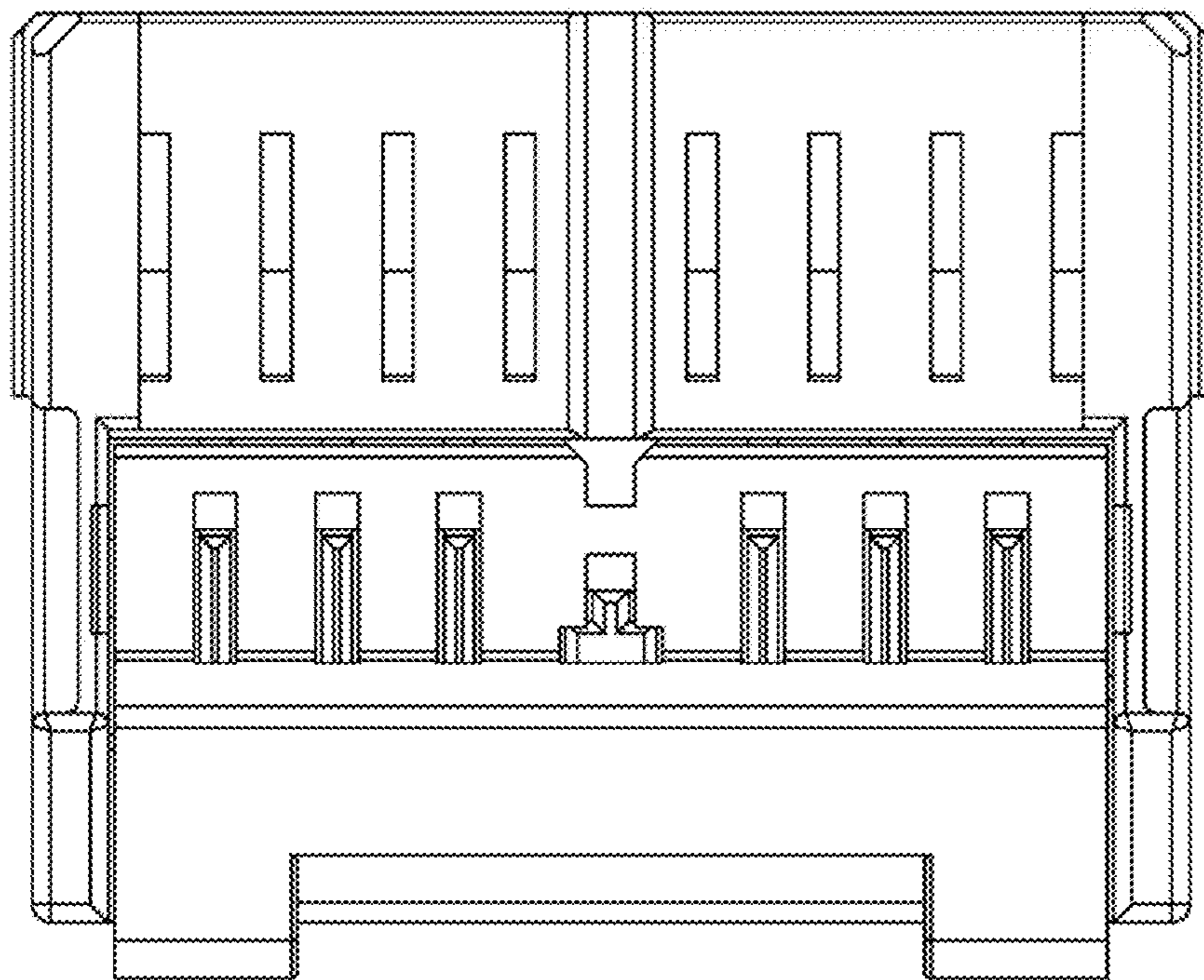


FIG. 7

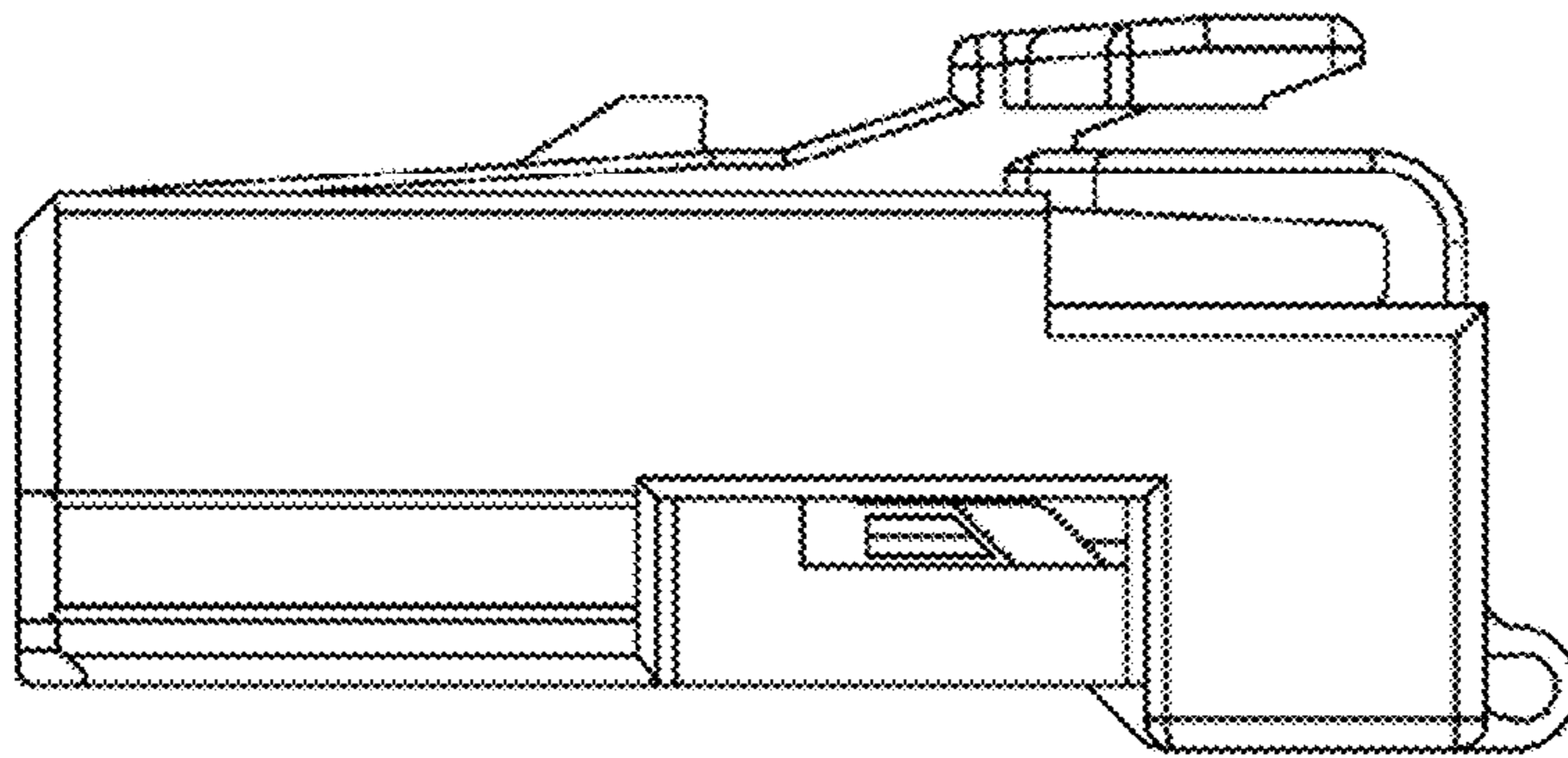


FIG. 8

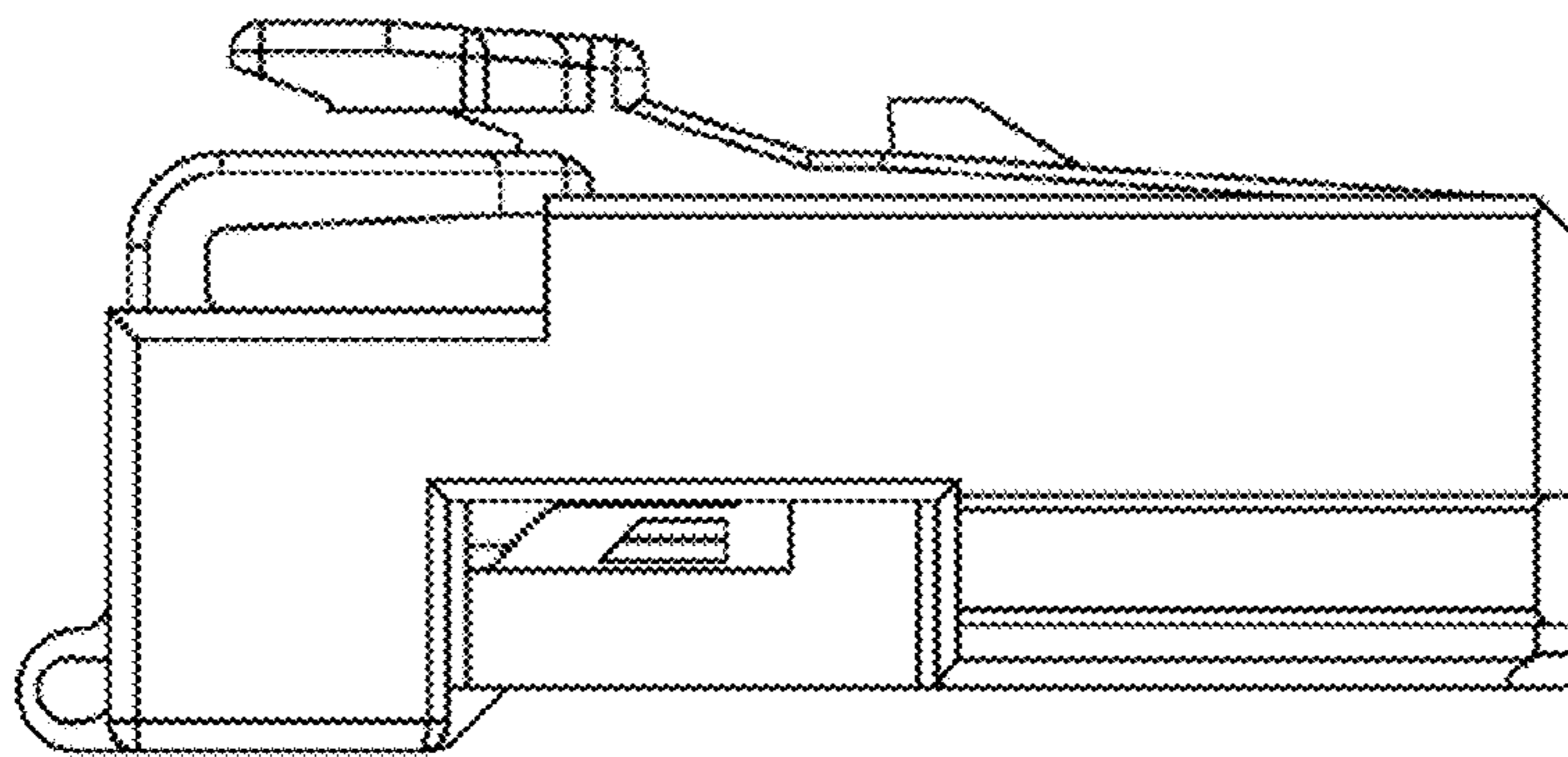


FIG. 9

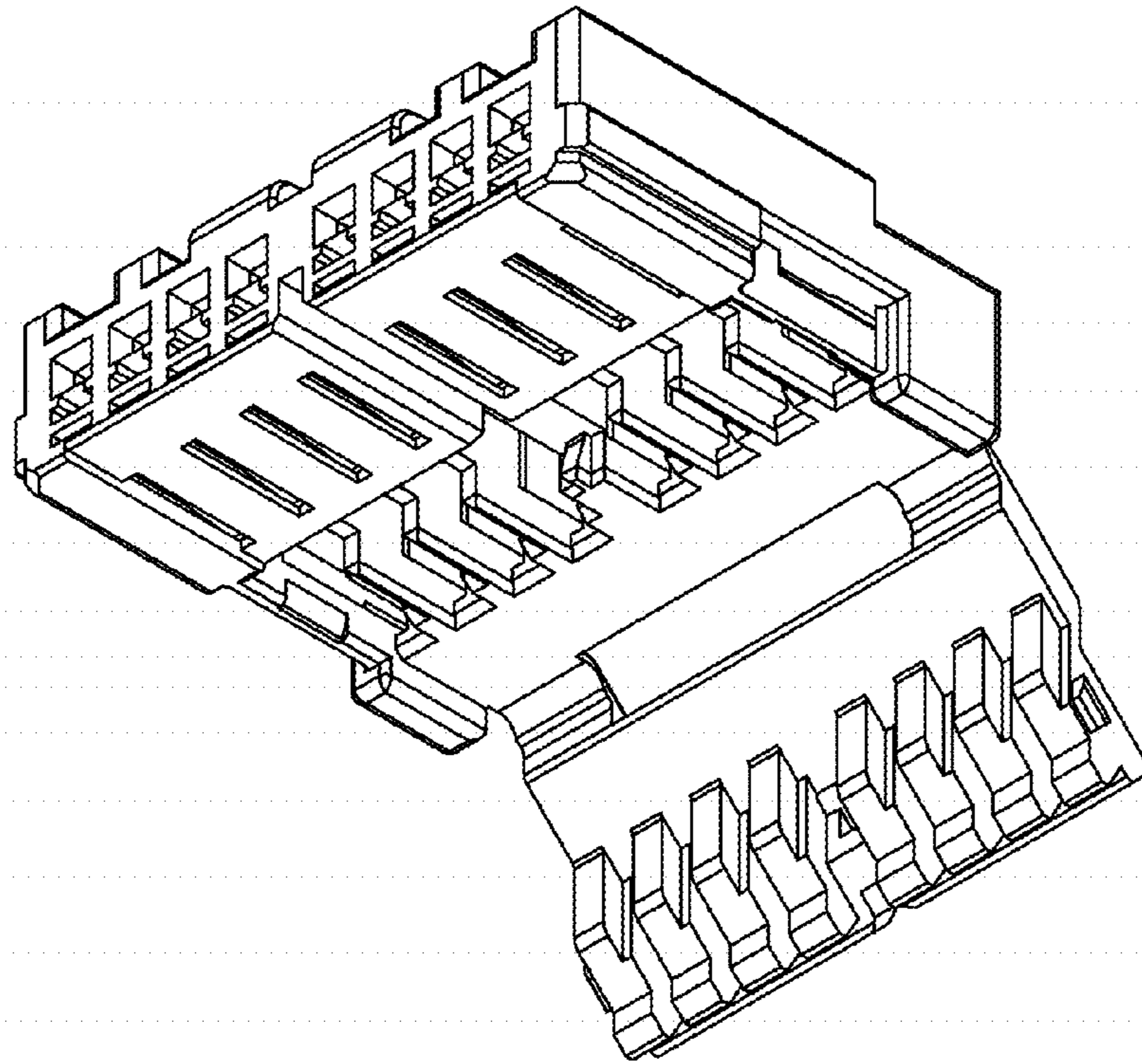


FIG. 10

