



US00D742322S

(12) **United States Design Patent**
Endo et al.

(10) **Patent No.:** **US D742,322 S**
(45) **Date of Patent:** **** Nov. 3, 2015**

(54) **ELECTRIC CONNECTOR**

(71) Applicant: **DAI-ICHI SEIKO CO., LTD.**, Kyoto (JP)
(72) Inventors: **Takayoshi Endo**, Shizuoka (JP); **Jun Mukunoki**, Shizuoka (JP); **Koji Hanaki**, Shizuoka (JP)
(73) Assignee: **DAI-ICHI SEIKO CO., LTD.**, Kyoto (JP)

(**) Term: **14 Years**

(21) Appl. No.: **29/513,469**

(22) Filed: **Dec. 31, 2014**

(30) **Foreign Application Priority Data**

Jul. 11, 2014 (JP) 2014-015218
Jul. 11, 2014 (JP) 2014-015219

(51) **LOC (10) Cl.** **13-03**

(52) **U.S. Cl.**
USPC **D13/147**

(58) **Field of Classification Search**
USPC D13/133, 147, 154, 184, 199
See application file for complete search history.

(56) **References Cited**

U.S. PATENT DOCUMENTS

D518,443 S * 4/2006 Kawahara et al. D13/147
D562,246 S * 2/2008 Matsuzaki et al. D13/147
D574,330 S * 8/2008 Matsuzaki et al. D13/147
D655,678 S * 3/2012 Kobayashi et al. D13/147

* cited by examiner

Primary Examiner — Daniel Bui
(74) *Attorney, Agent, or Firm* — Wenderoth, Lind & Ponack, L.L.P.

(57) **CLAIM**

The ornamental design for an electric connector, as shown in the drawings and described above.

DESCRIPTION

FIG. 1 is a front, top, and right side perspective view of an electric connector;
FIG. 2 is a rear, top, and left side perspective view thereof;
FIG. 3 is a front elevation view thereof;
FIG. 4 is a rear elevation view thereof;
FIG. 5 is a top plan view thereof;
FIG. 6 is a bottom plan view thereof;
FIG. 7 is a right side view thereof;
FIG. 8 is a left side view thereof; and,
FIG. 9 is a front, top and right side perspective view thereof, in an used condition.

The broken lines shown in the drawings are included for the purpose of illustrating unclaimed environment only, and form no part of the claimed design.

1 Claim, 5 Drawing Sheets

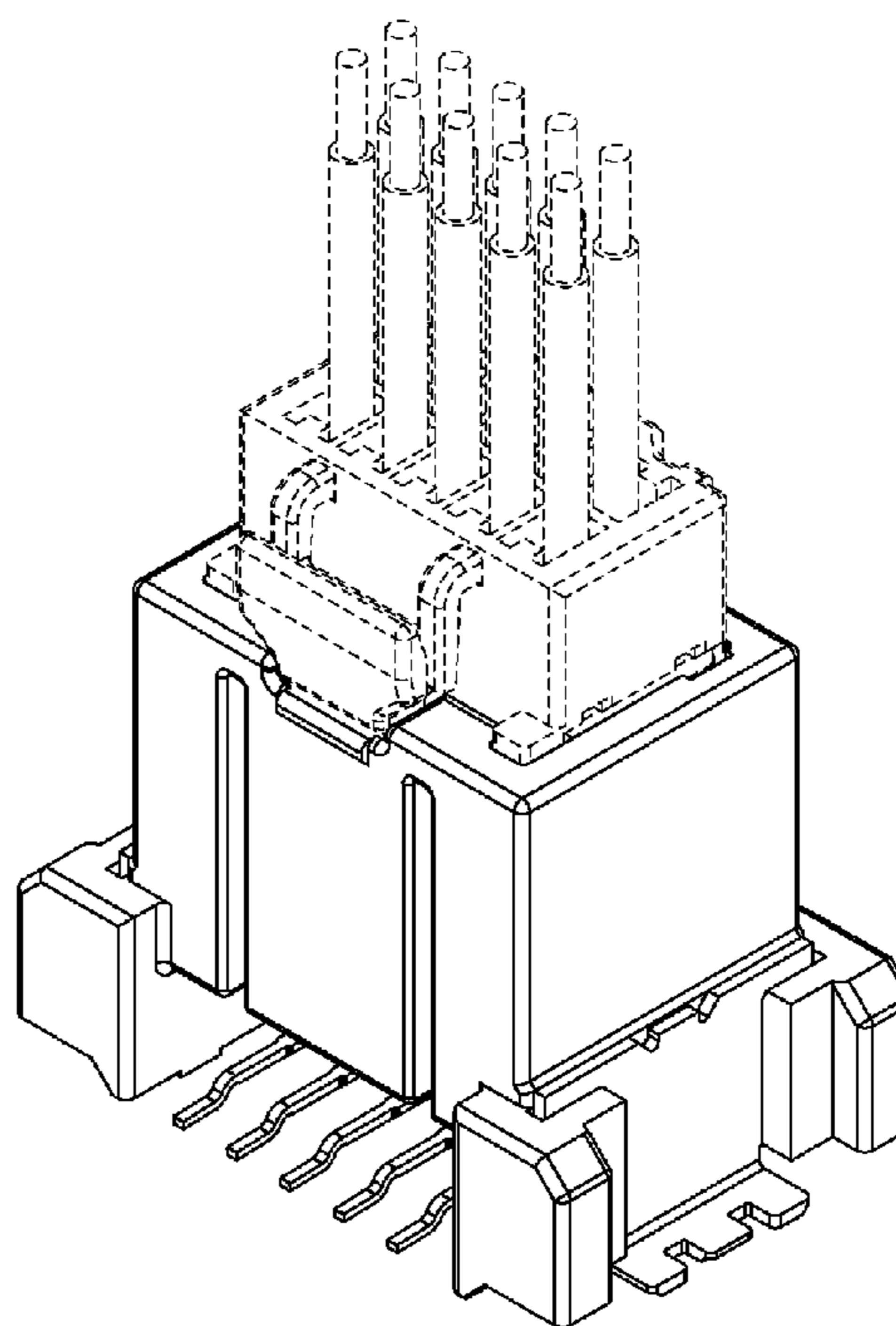
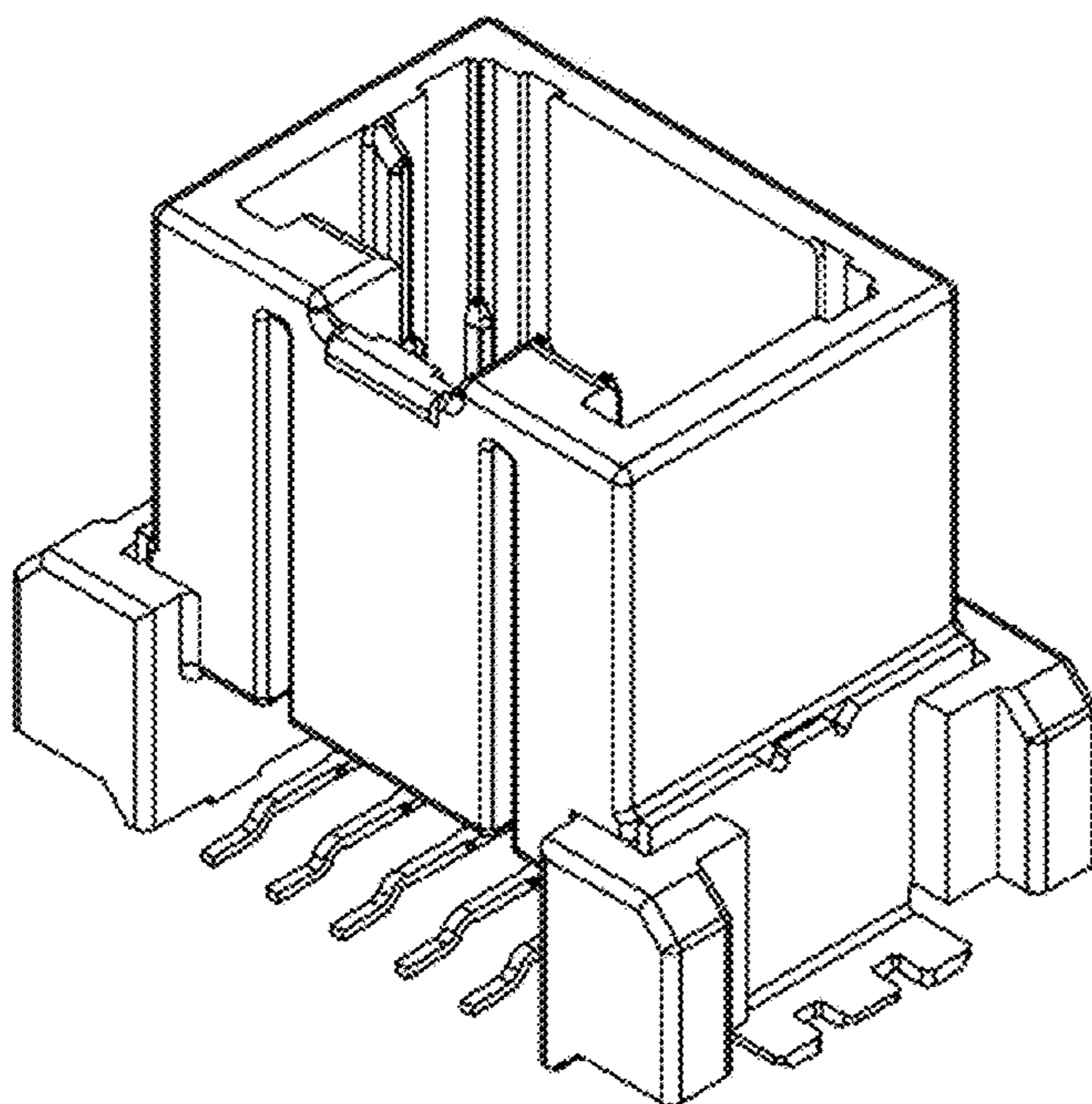


FIG. 1

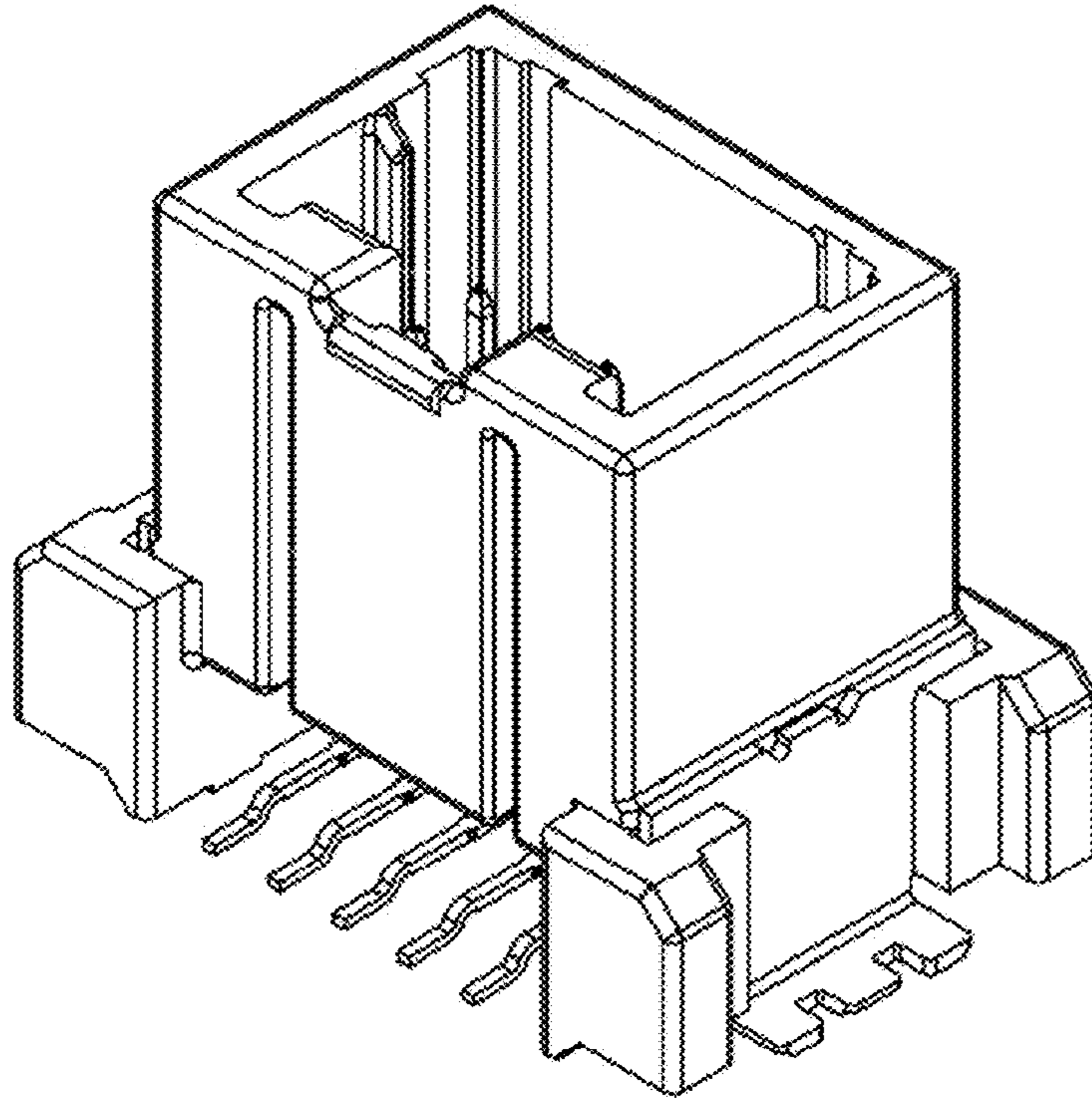


FIG. 2

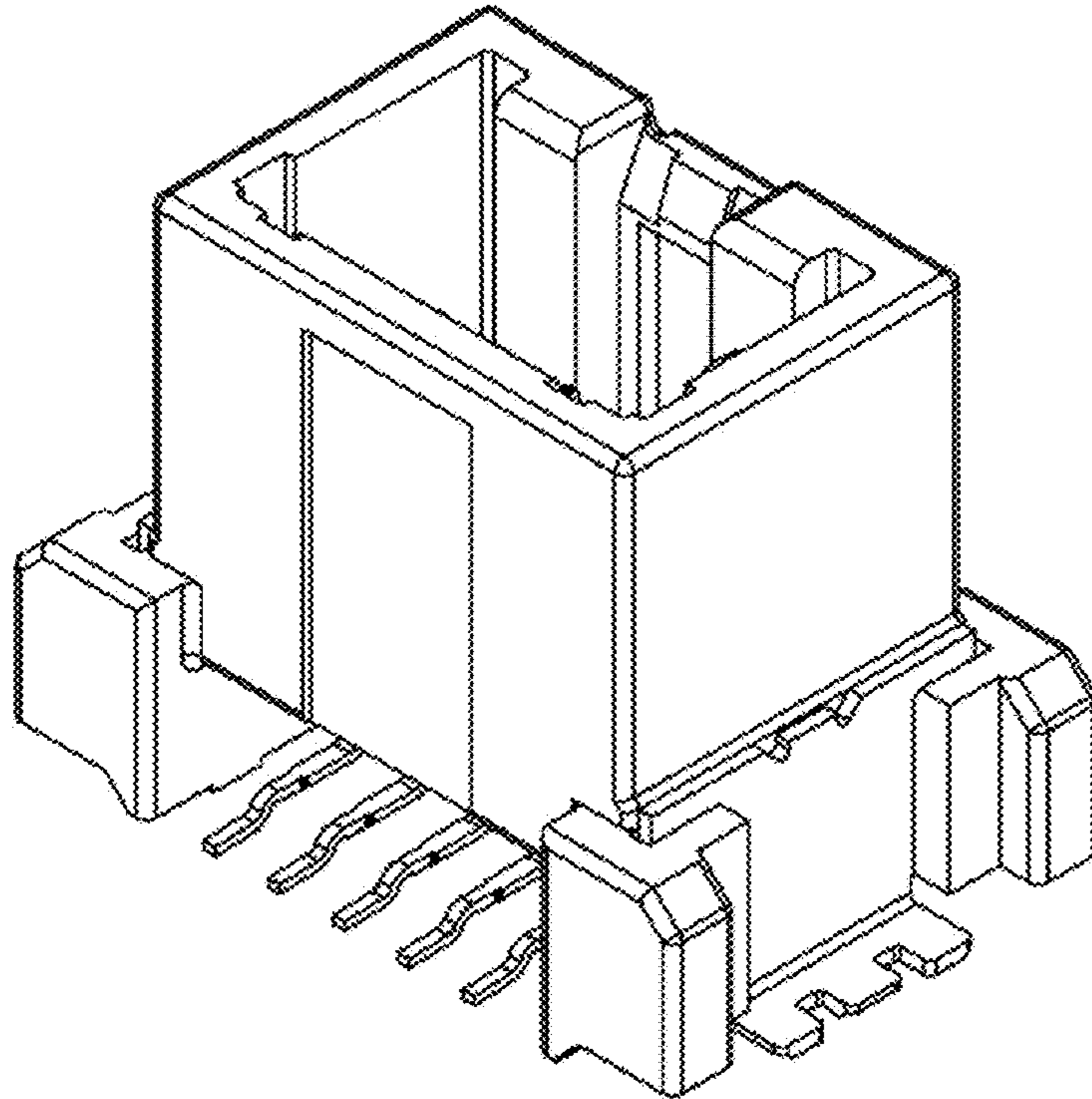


FIG. 3

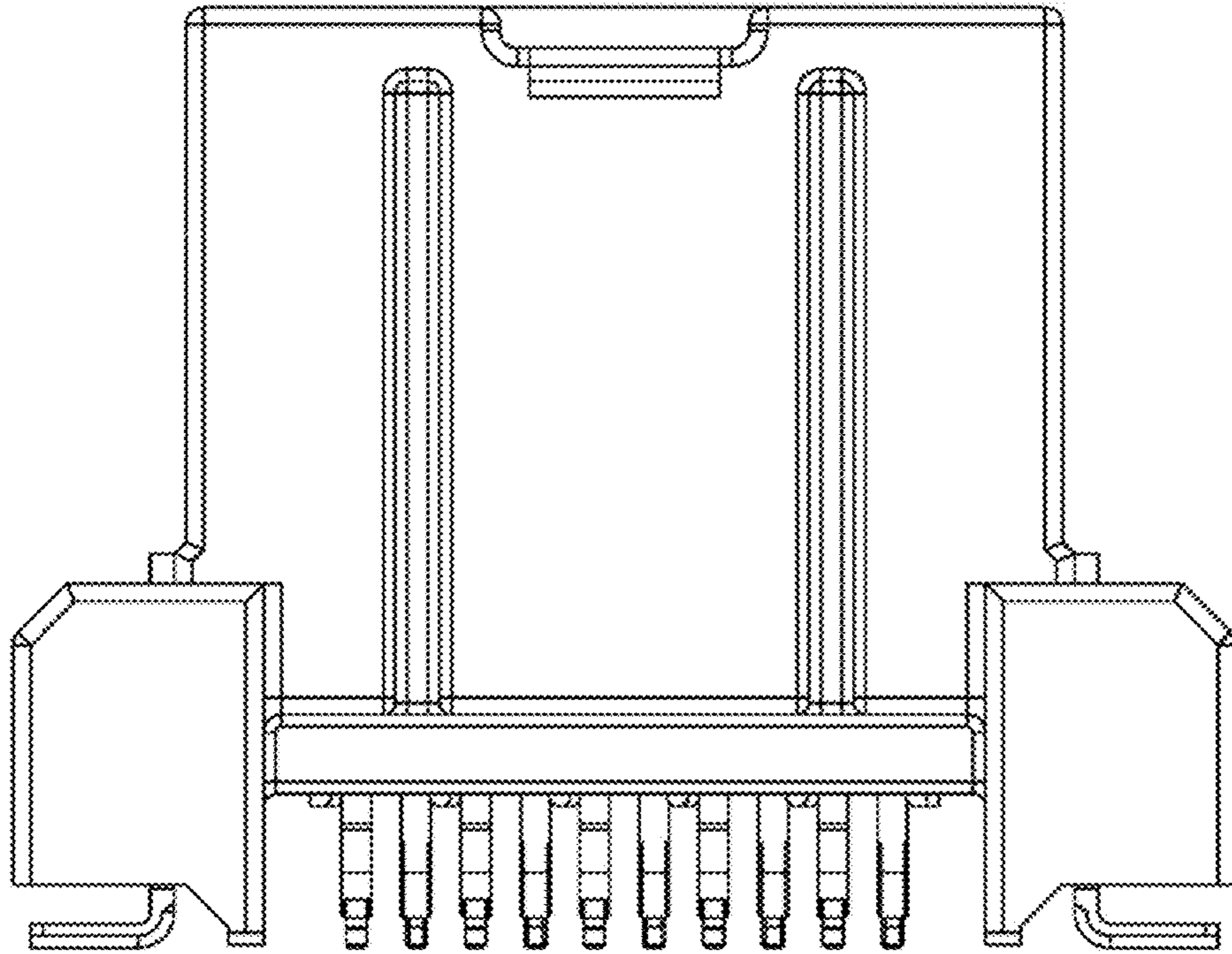


FIG. 4

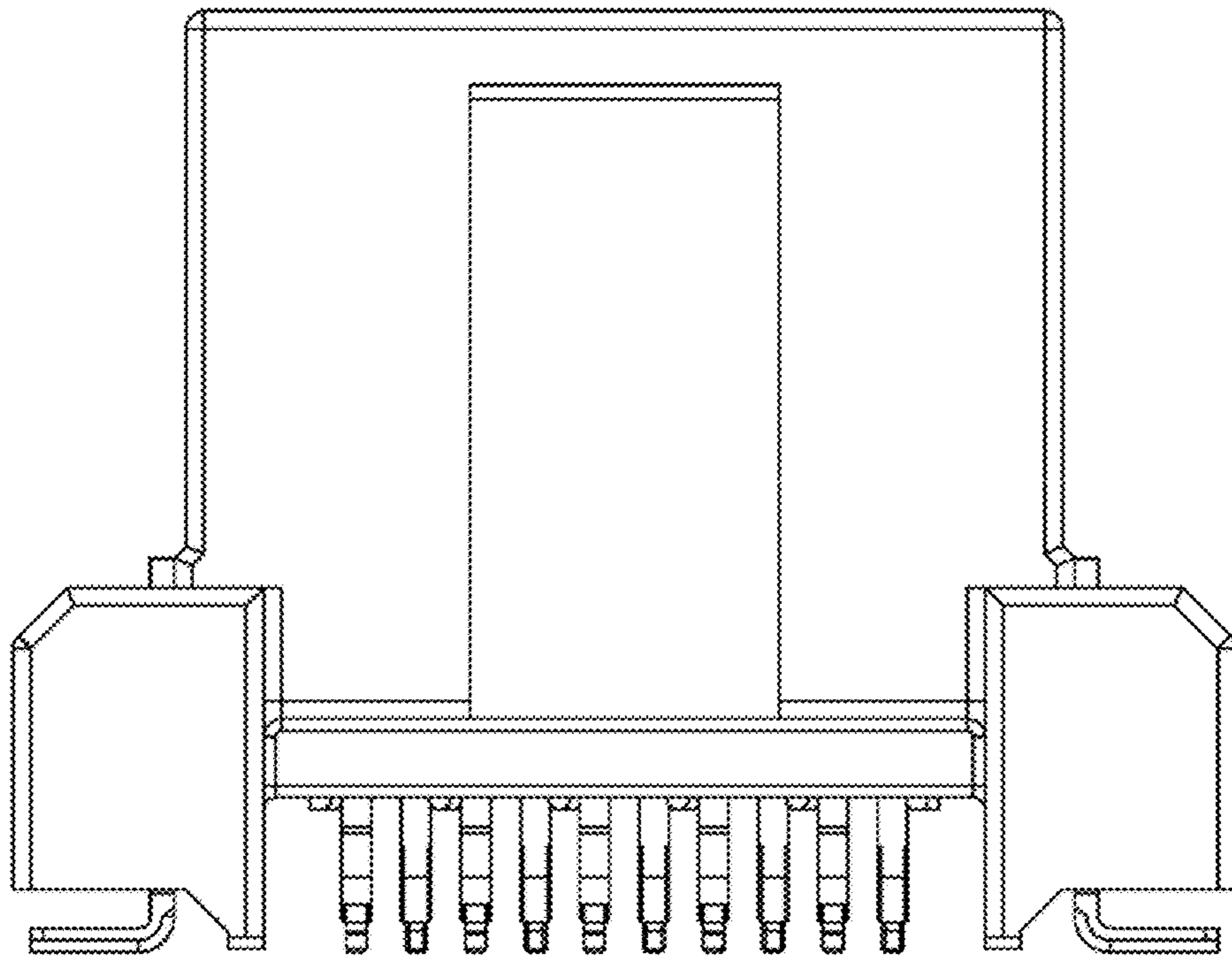


FIG. 5

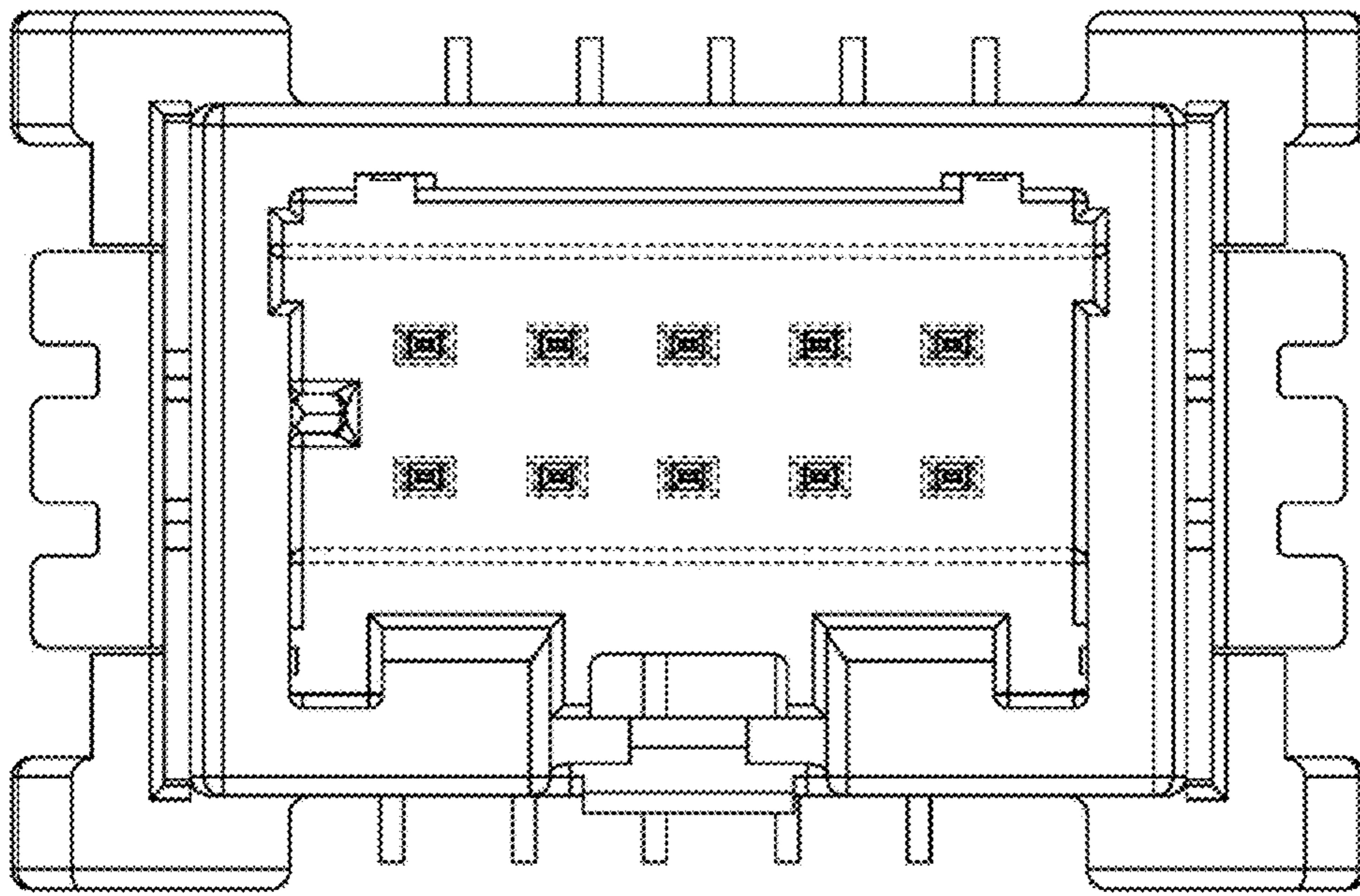


FIG. 6

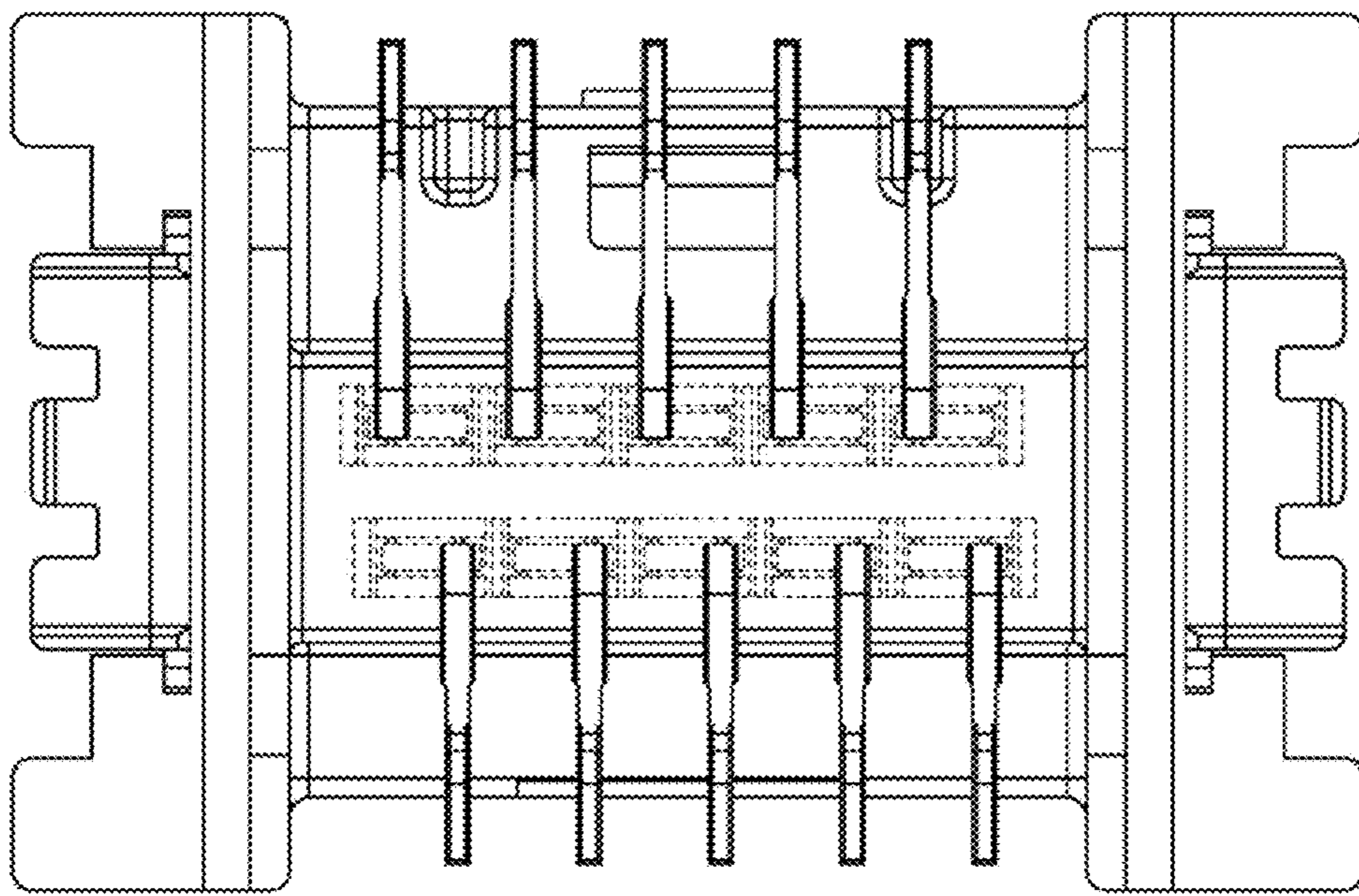


FIG. 7

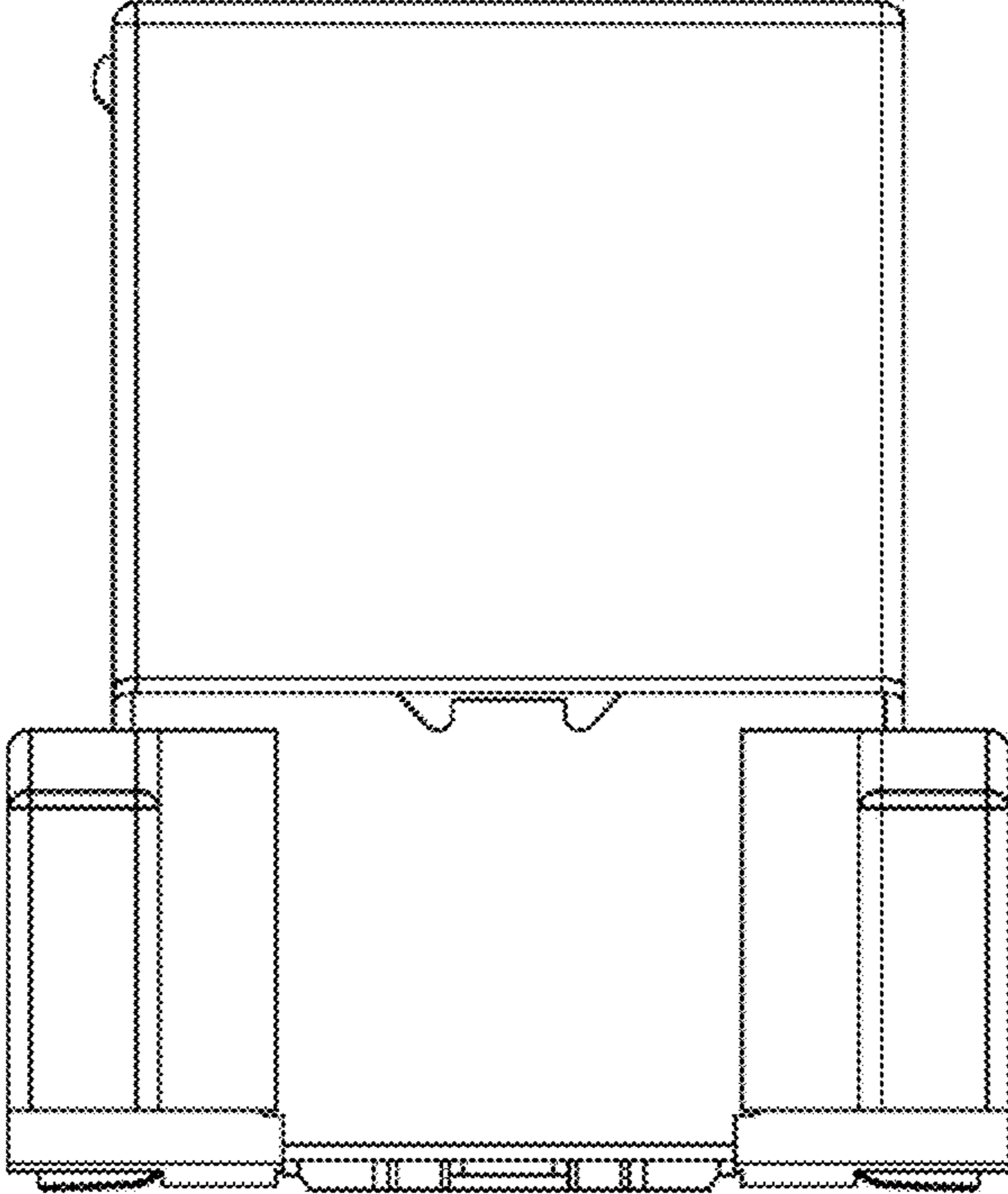


FIG. 8

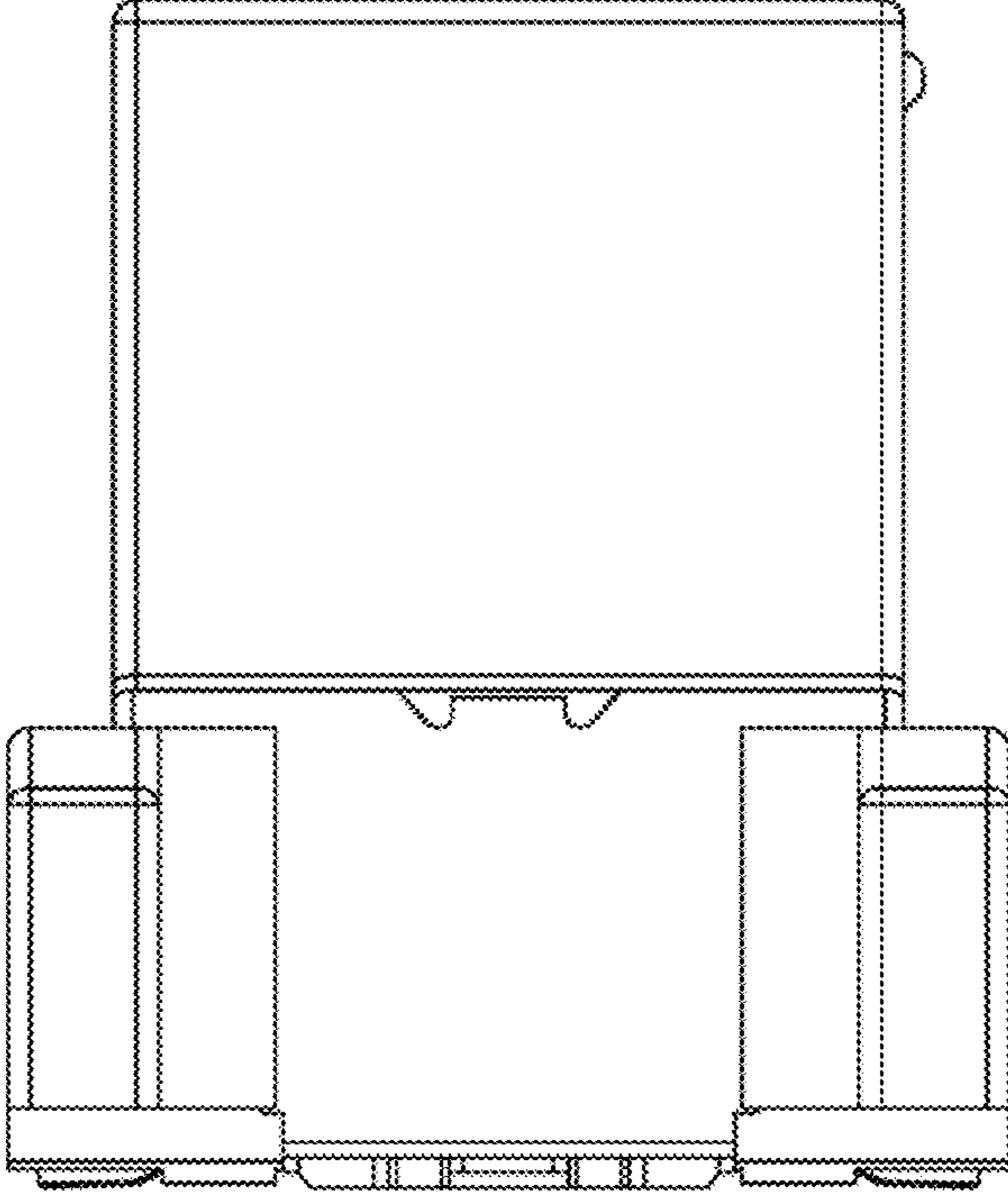


FIG. 9

