



US00D742319S

(12) **United States Design Patent**
DeCosta

(10) **Patent No.:** **US D742,319 S**
(45) **Date of Patent:** **** Nov. 3, 2015**

(54) **POWER RECEPTACLE WITH REARWARD CONNECTOR**

Primary Examiner — Daniel Bui

(71) Applicant: **Thomas DeCosta**, Westport, MA (US)

(72) Inventor: **Thomas DeCosta**, Westport, MA (US)

(**) Term: **14 Years**

(21) Appl. No.: **29/474,490**

(22) Filed: **Oct. 7, 2014**

(51) **LOC (10) Cl.** **13-03**

(52) **U.S. Cl.**
USPC **D13/146**

(58) **Field of Classification Search**
USPC D13/147, 154, 184, 199
See application file for complete search history.

(56) **References Cited**

U.S. PATENT DOCUMENTS

D332,085 S *	12/1992	Bender	D13/146
D543,941 S *	6/2007	Hargreaves et al.	D13/146
D545,764 S *	7/2007	Allison	D13/137.1
D687,778 S *	8/2013	Utz	D13/133

* cited by examiner

(57) **CLAIM**

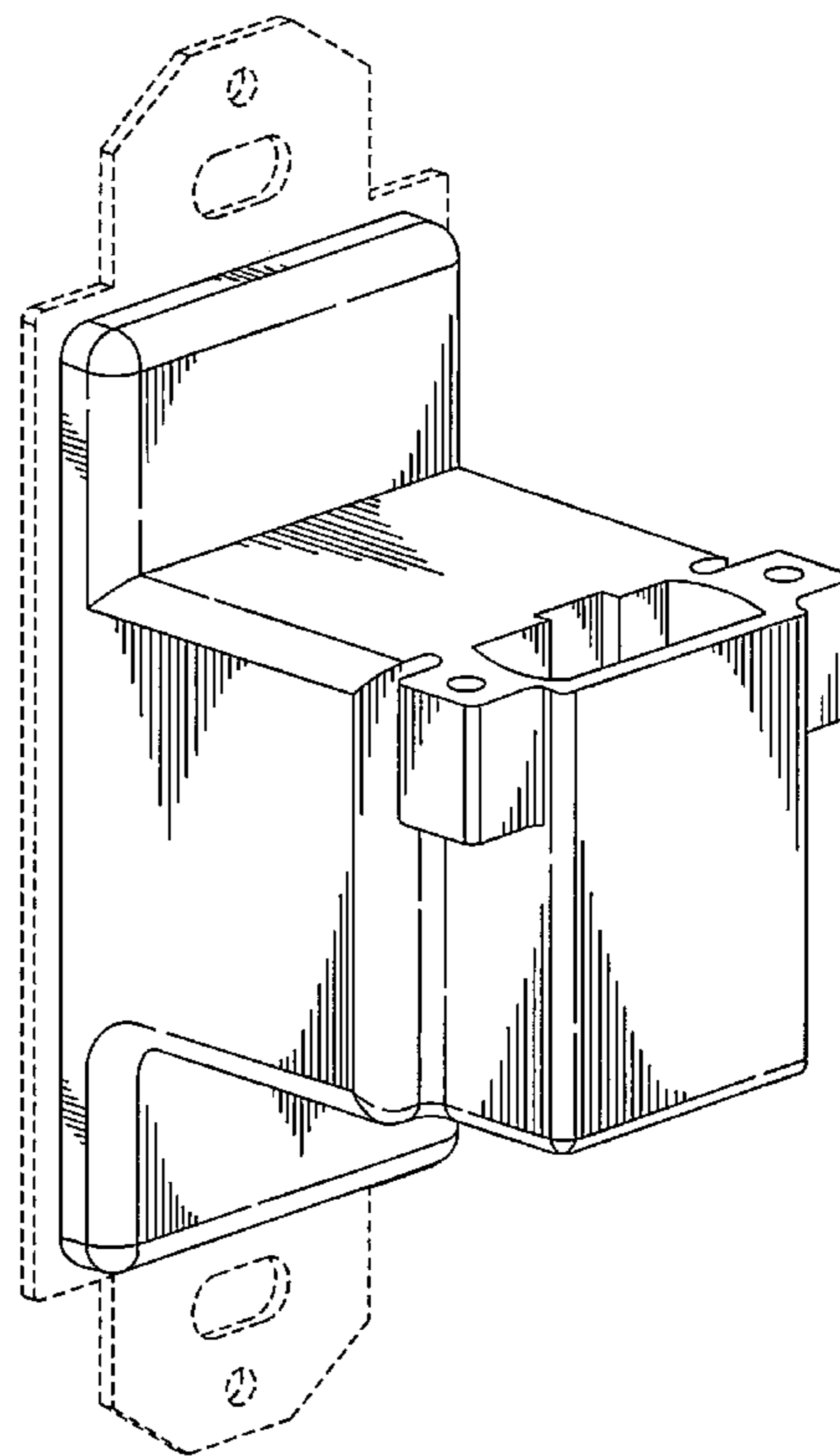
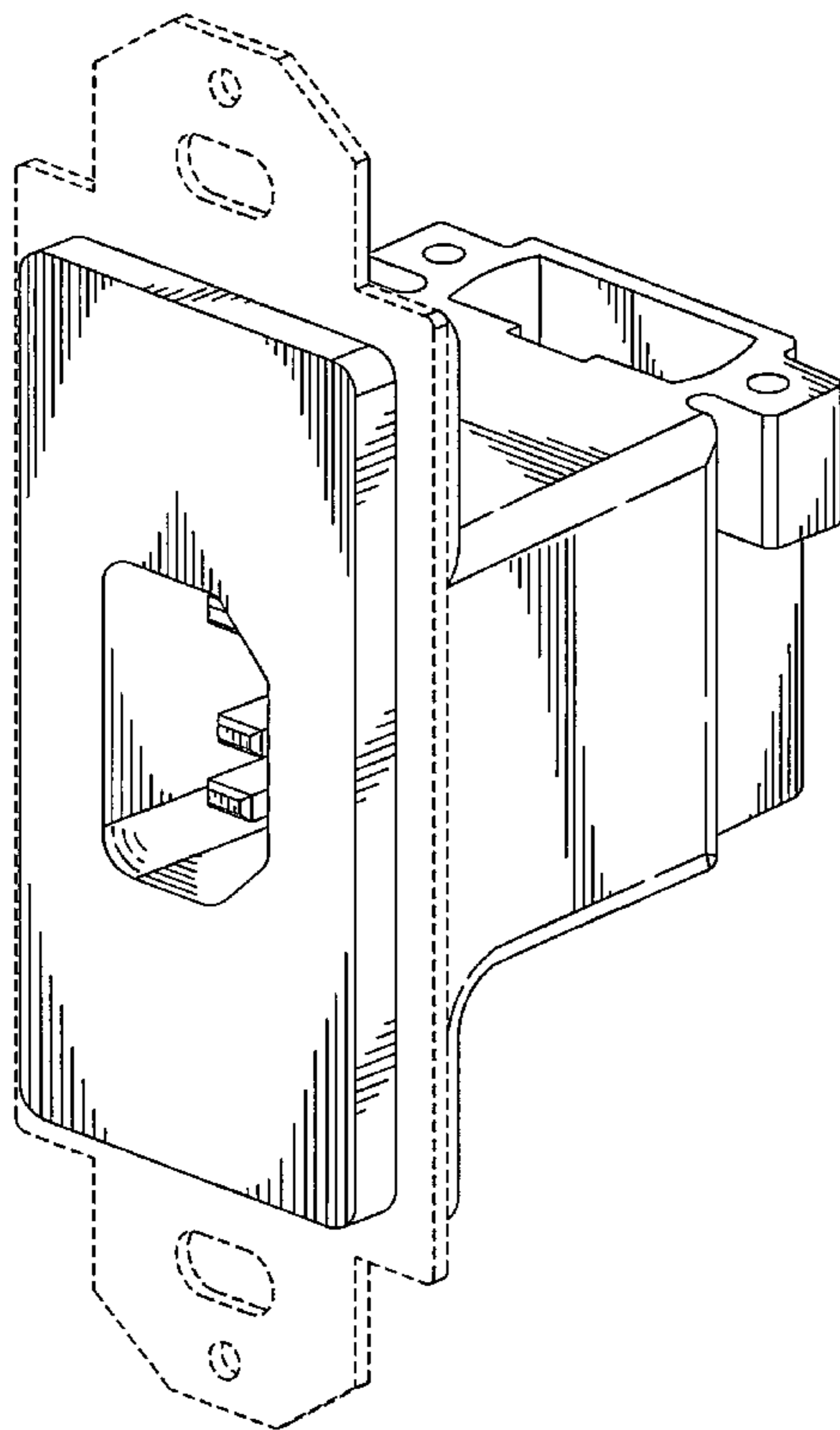
The ornamental design for a power receptacle with rearward connector, as shown and described.

DESCRIPTION

FIG. 1 is a front perspective view of a power receptacle with rearward connector, showing my new design; FIG. 2 is a rear perspective view thereof; FIG. 3 is a front elevation view thereof; FIG. 4 is a rear elevation view thereof; FIG. 5 is a right side elevation view thereof; FIG. 6 is a left side elevation view thereof; FIG. 7 is a top elevation view thereof; and, FIG. 8 is a bottom elevation view thereof.

The broken lines in the figure drawings are included for the purposes of illustrating unclaimed environment only and forms no part of the claimed design.

1 Claim, 8 Drawing Sheets



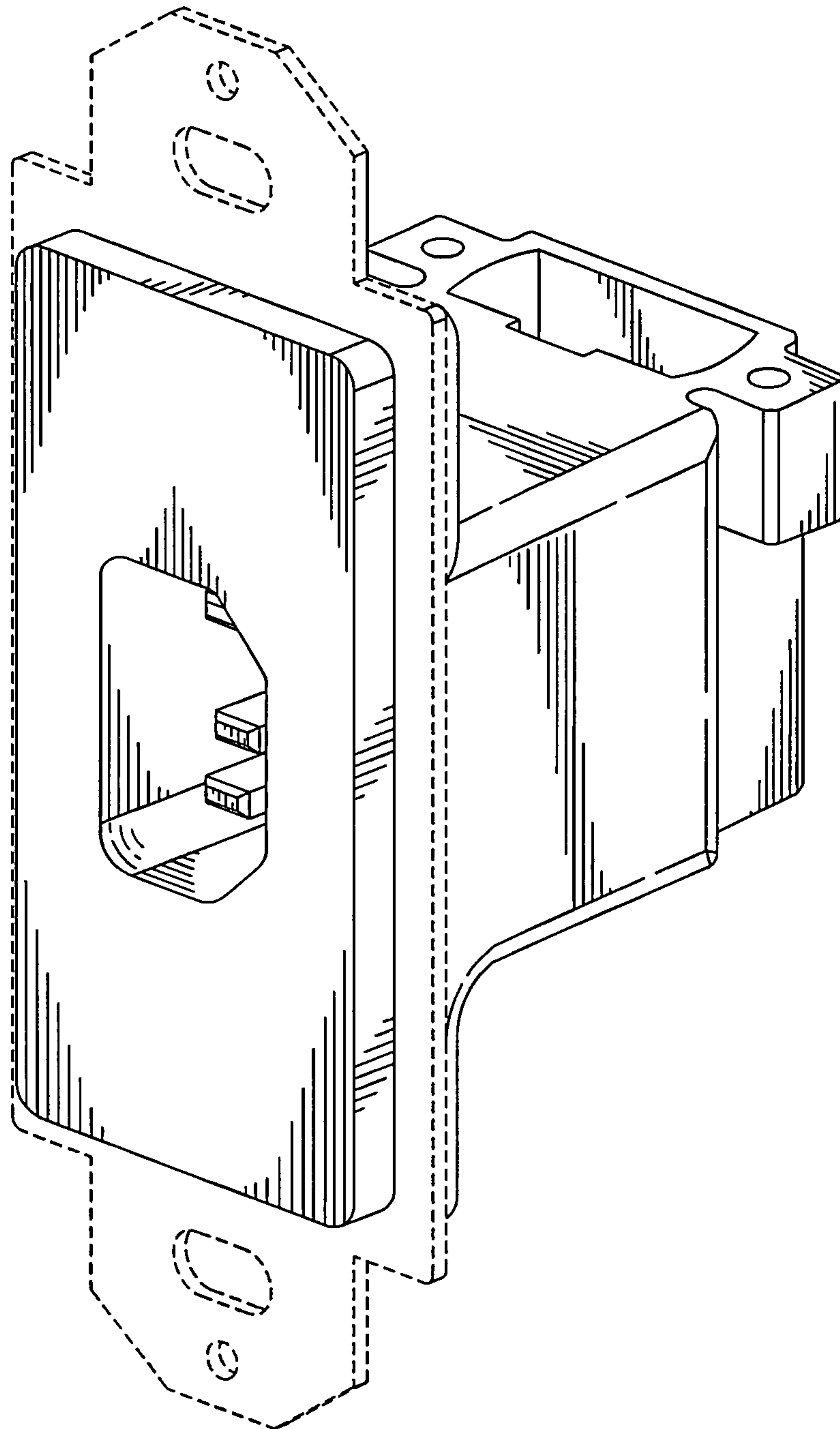


FIG. 1

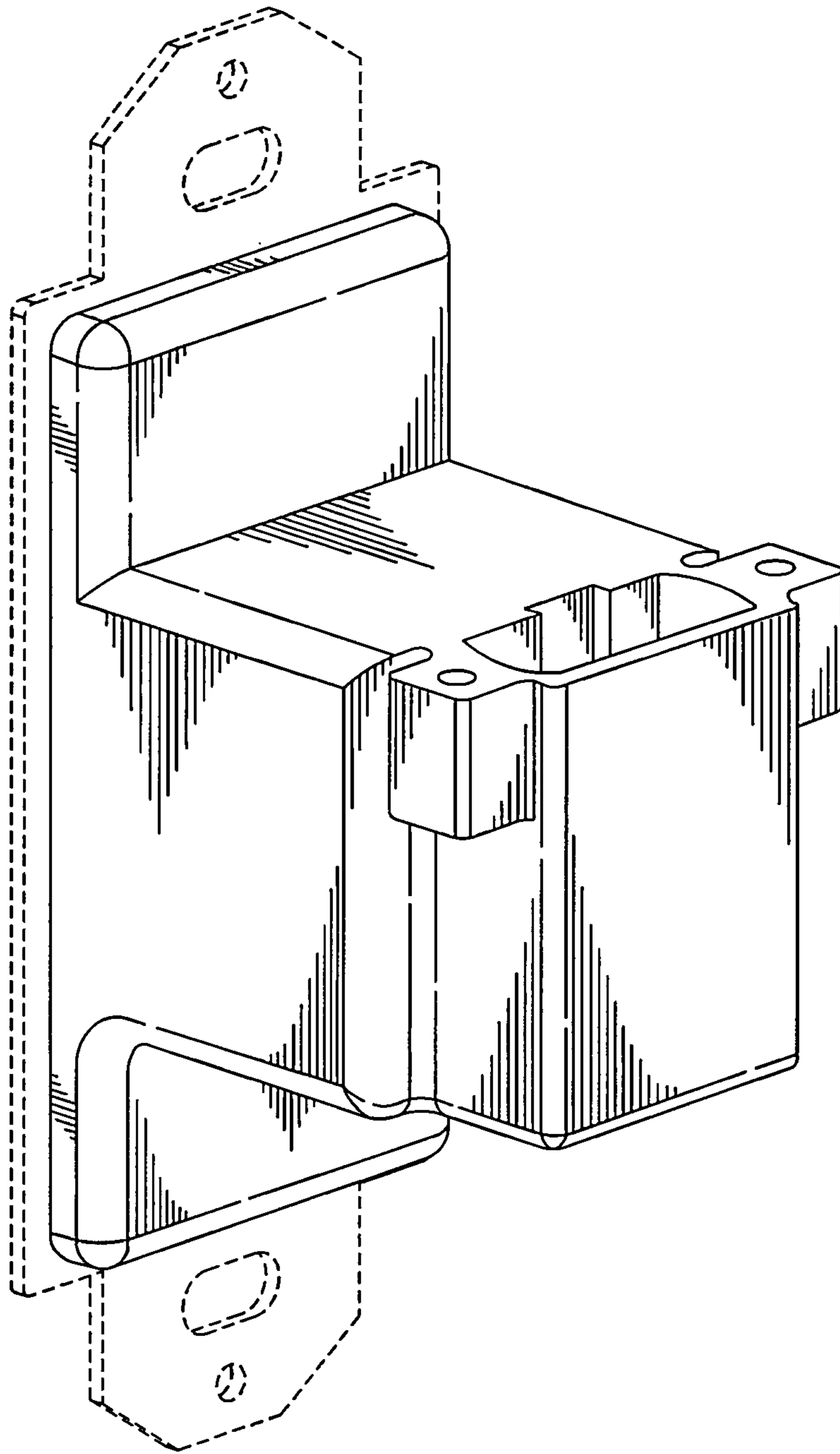


FIG. 2

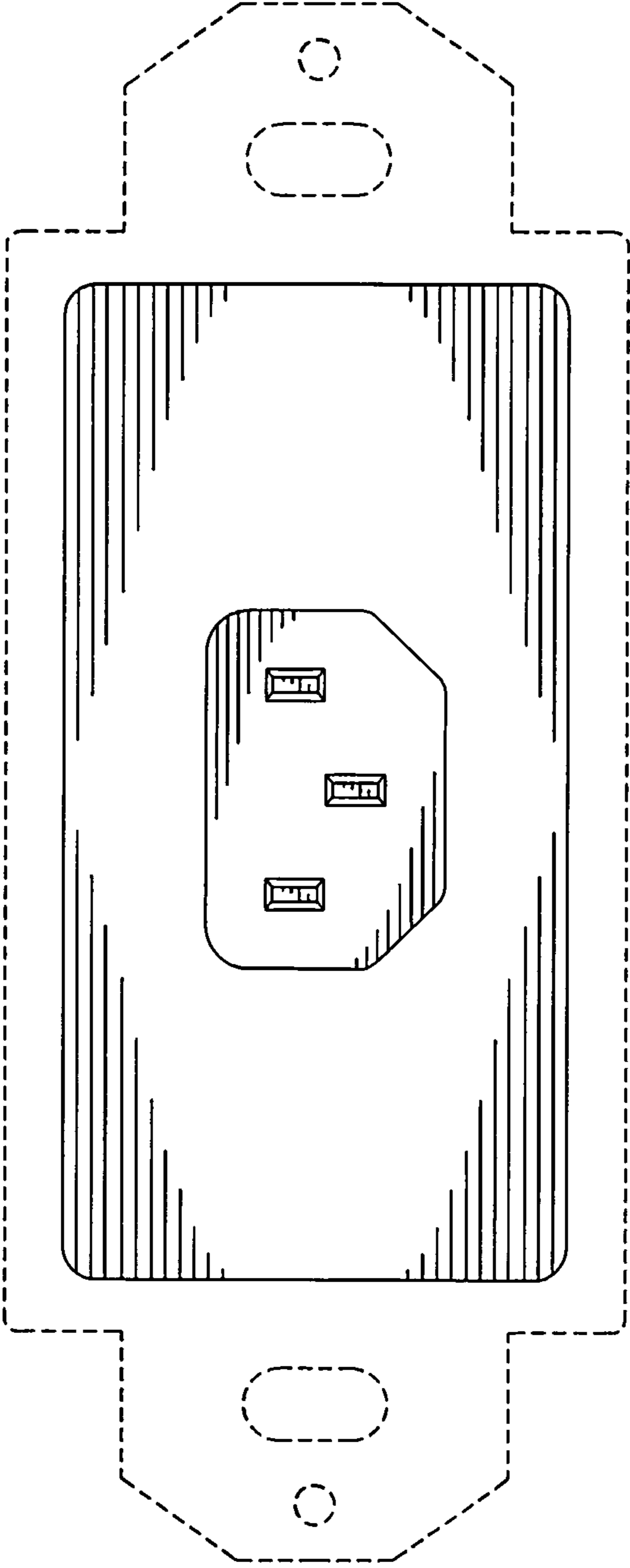


FIG. 3

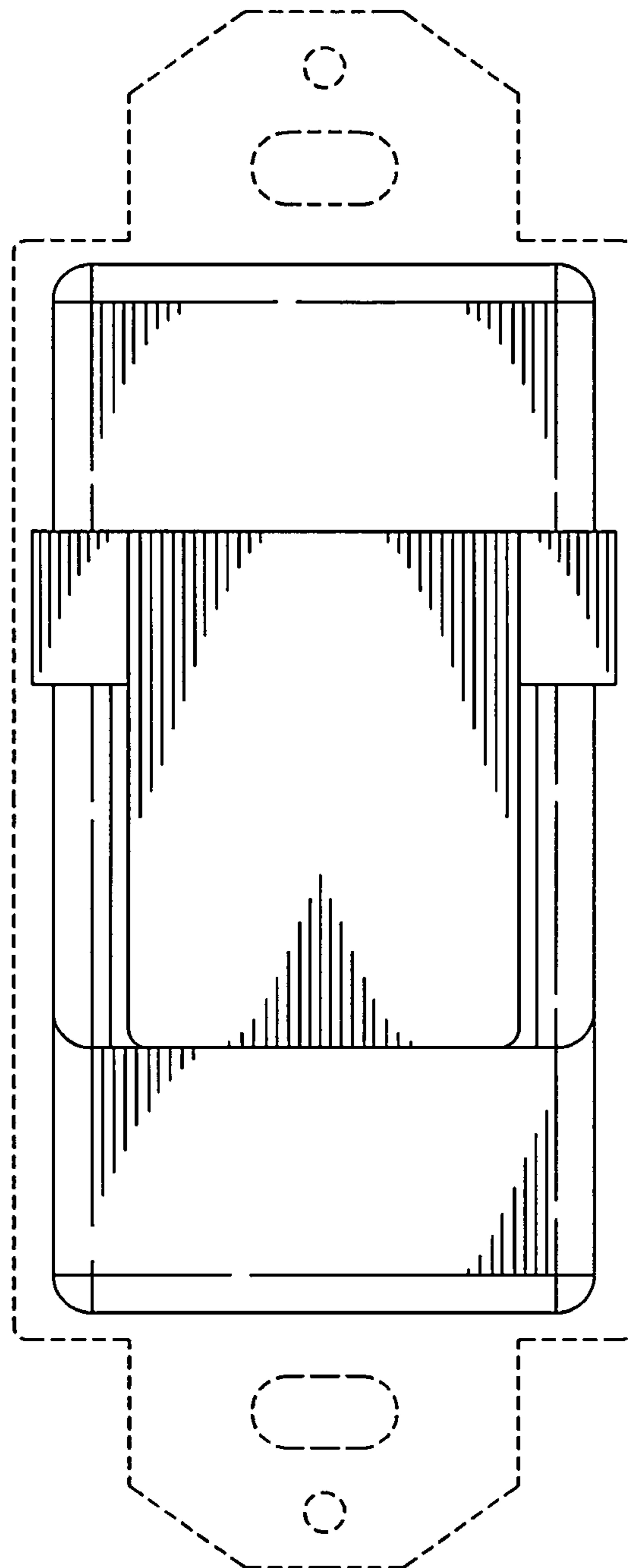


FIG. 4

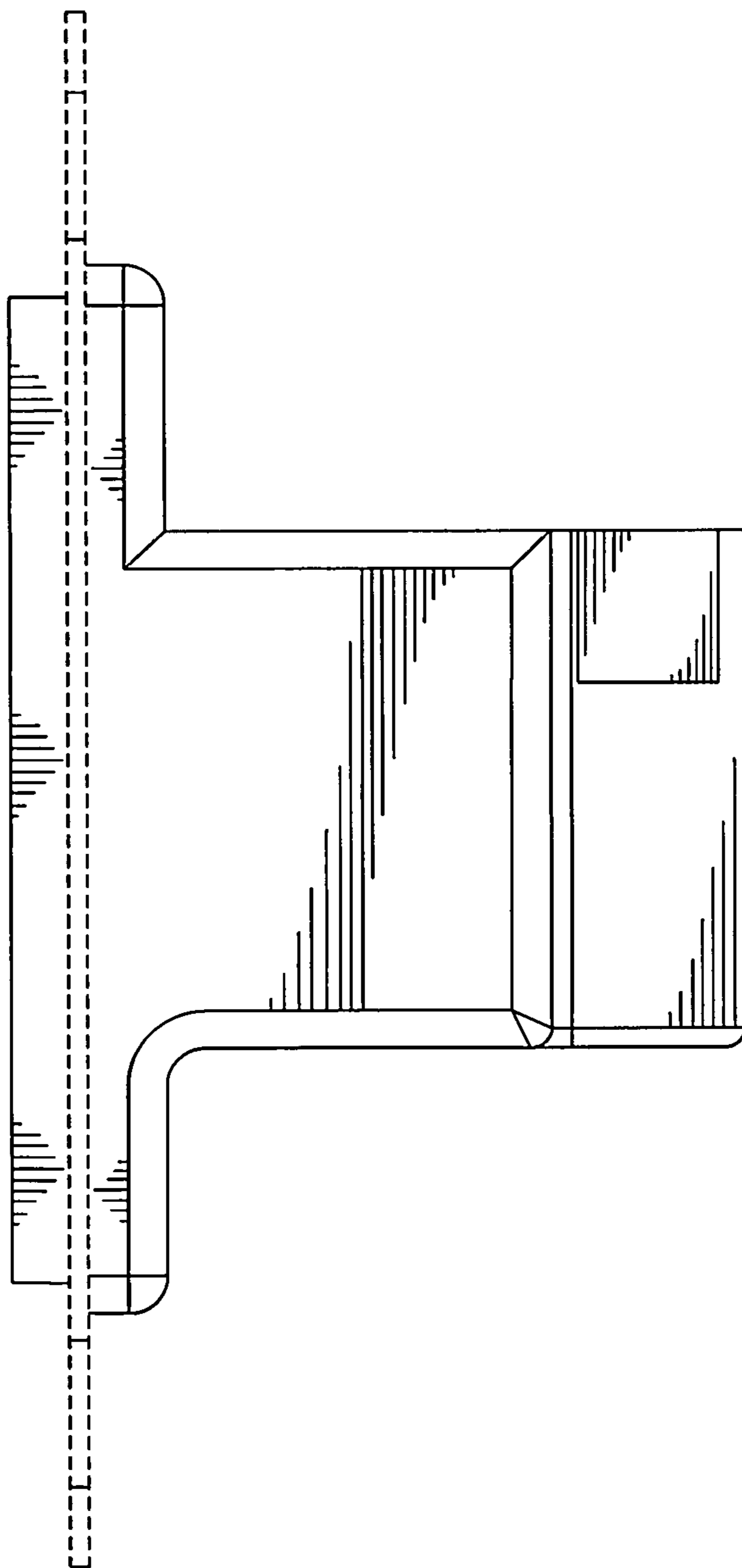


FIG. 5

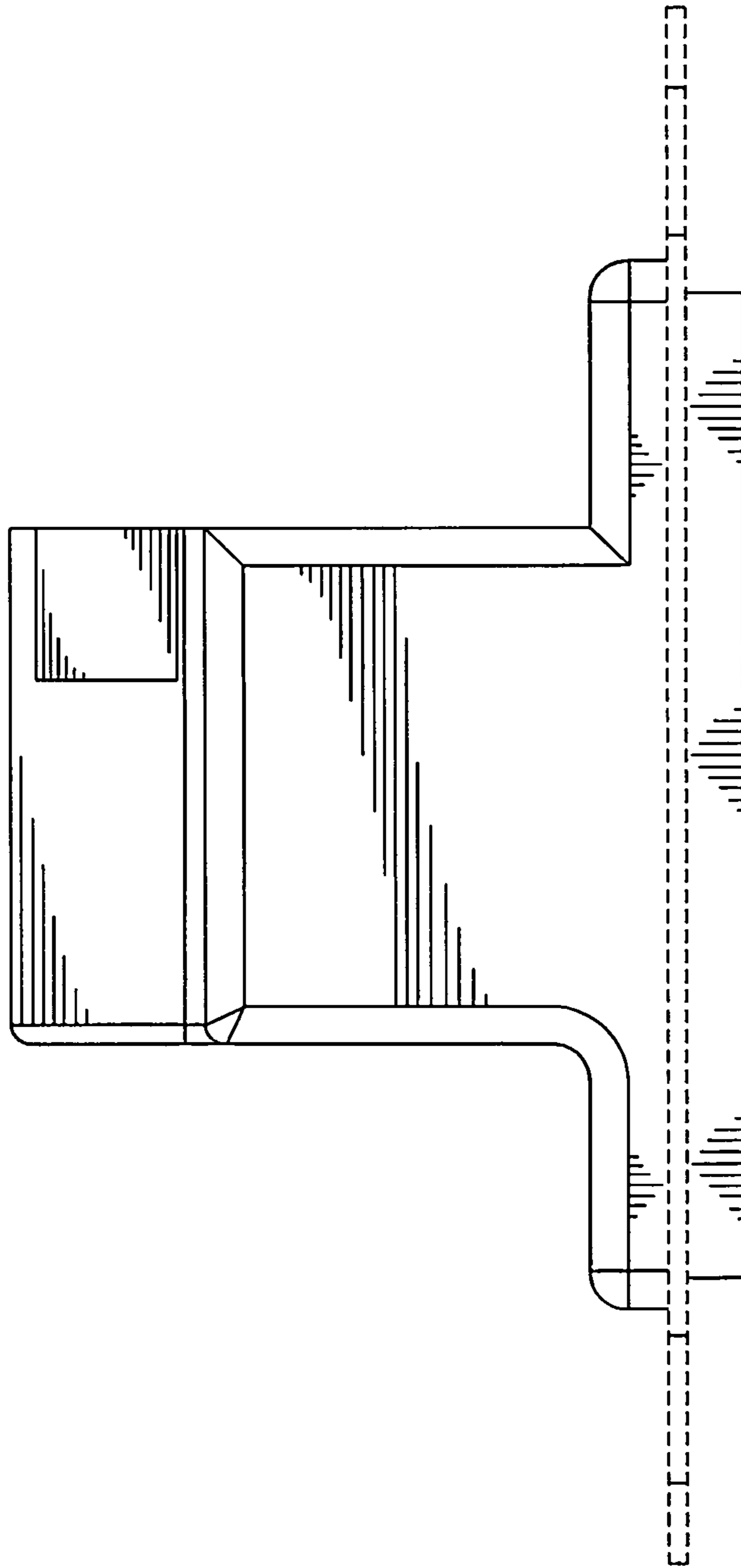


FIG. 6

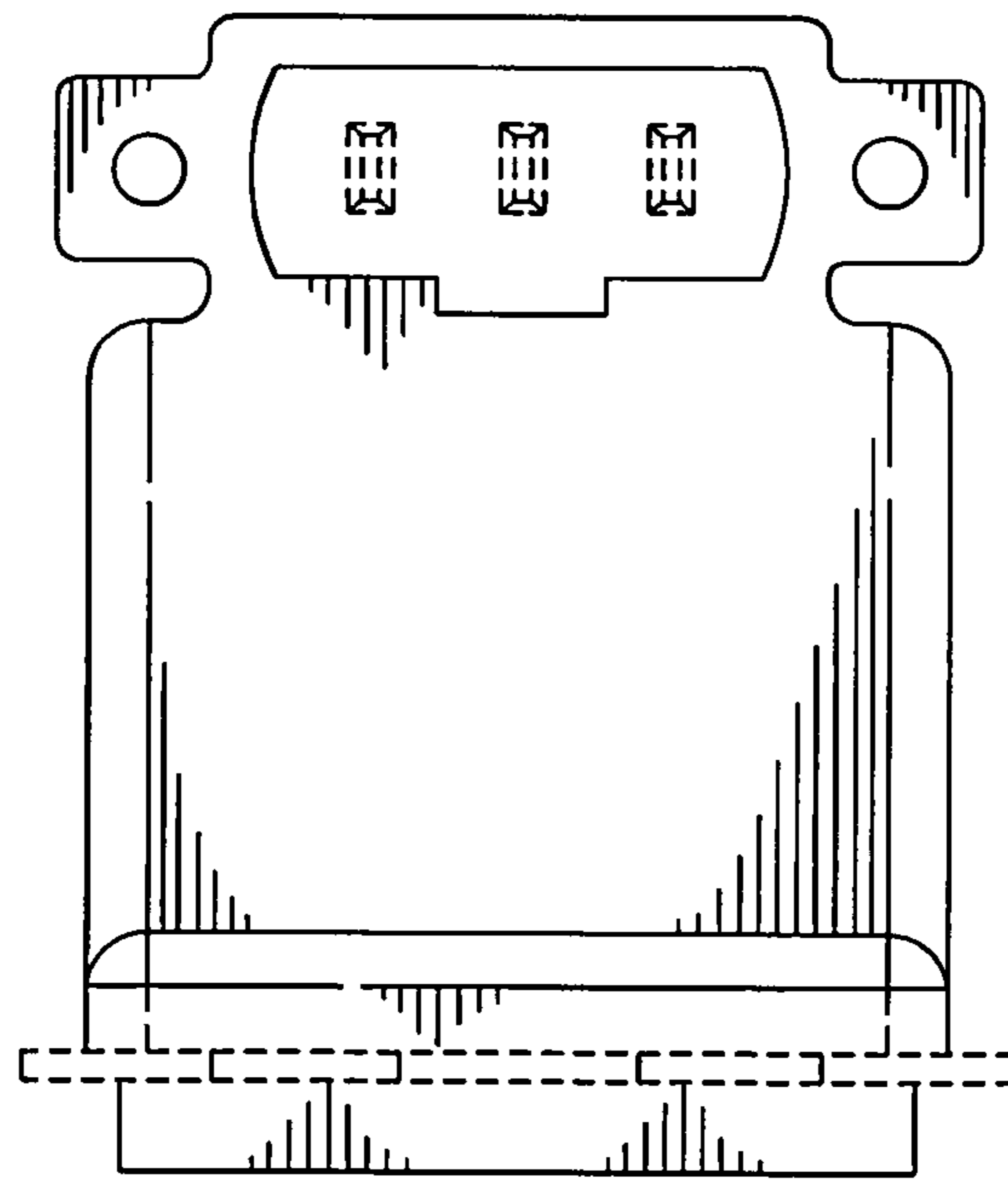


FIG. 7

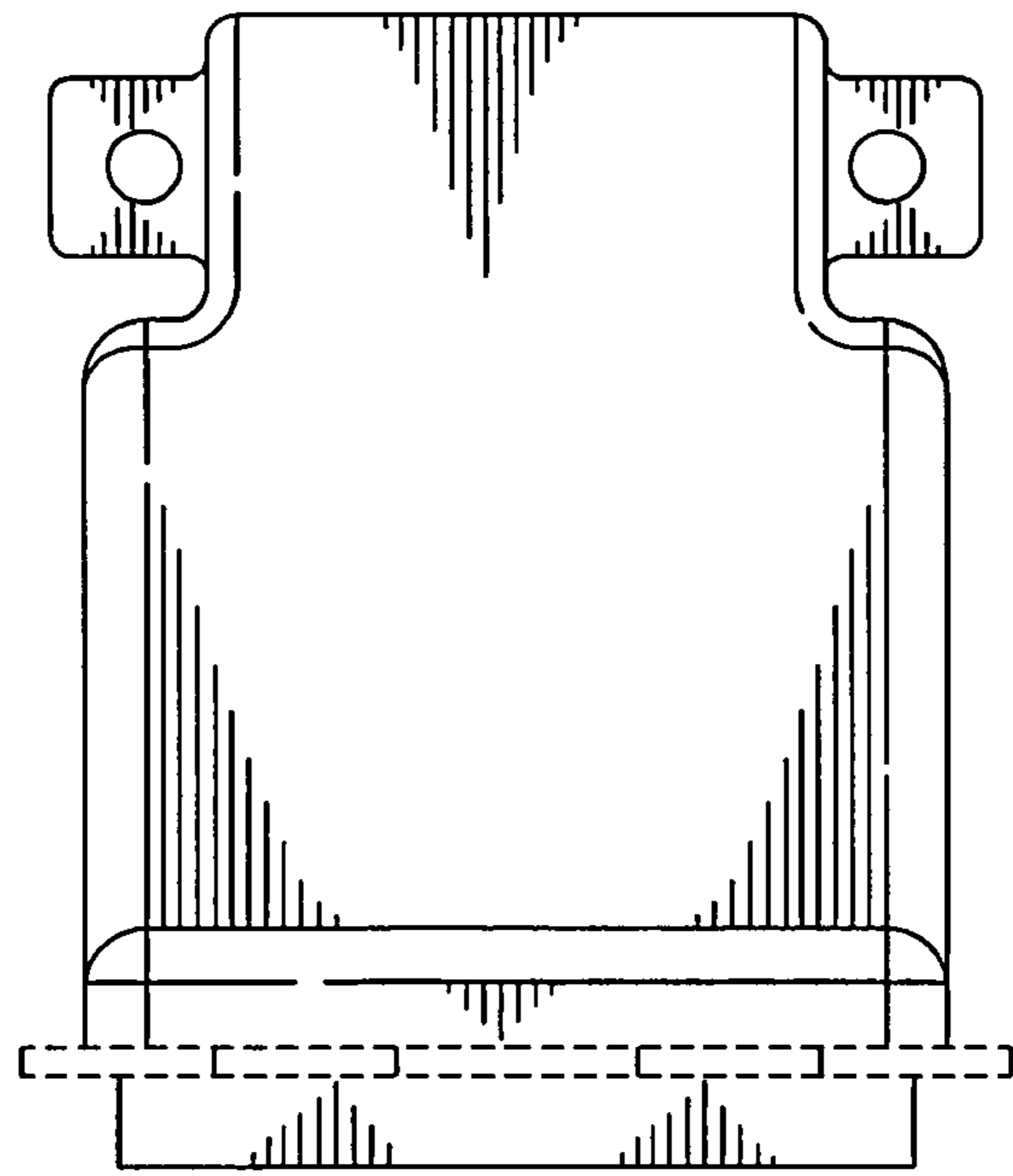


FIG. 8