



US00D742317S

(12) **United States Design Patent**
Thayer

(10) **Patent No.:** **US D742,317 S**

(45) **Date of Patent:** **** Nov. 3, 2015**

(54) **RECLOSER FOR CAPACITOR SWITCHING**

(71) Applicant: **James Thayer**, Mishawaka, IN (US)

(72) Inventor: **James Thayer**, Mishawaka, IN (US)

(**) Term: **14 Years**

(21) Appl. No.: **29/442,179**

(22) Filed: **Dec. 26, 2012**

(51) **LOC (10) Cl.** **13-03**

(52) **U.S. Cl.**
USPC **D13/125**

(58) **Field of Classification Search**
USPC D13/123-125, 133, 154, 158; 361/271,
361/277, 301.1-301.4, 328-330, 763;
438/171, 190, 238, 239, 381, 386, 393,
438/396
CPC H02K 15/10; H02K 11/00; H02K 7/14;
H01H 21/18; H01H 9/28

See application file for complete search history.

(56) **References Cited**

U.S. PATENT DOCUMENTS

D659,100 S * 5/2012 Deiss D13/151
D712,840 S * 9/2014 Sykes et al. D13/151

* cited by examiner

Primary Examiner — Thomas Johannes

Assistant Examiner — Shawn T Gingrich

(74) *Attorney, Agent, or Firm* — Ryan M. Fountain

(57) **CLAIM**

The ornamental design for a recloser for capacitor switching, substantially as shown and described.

DESCRIPTION

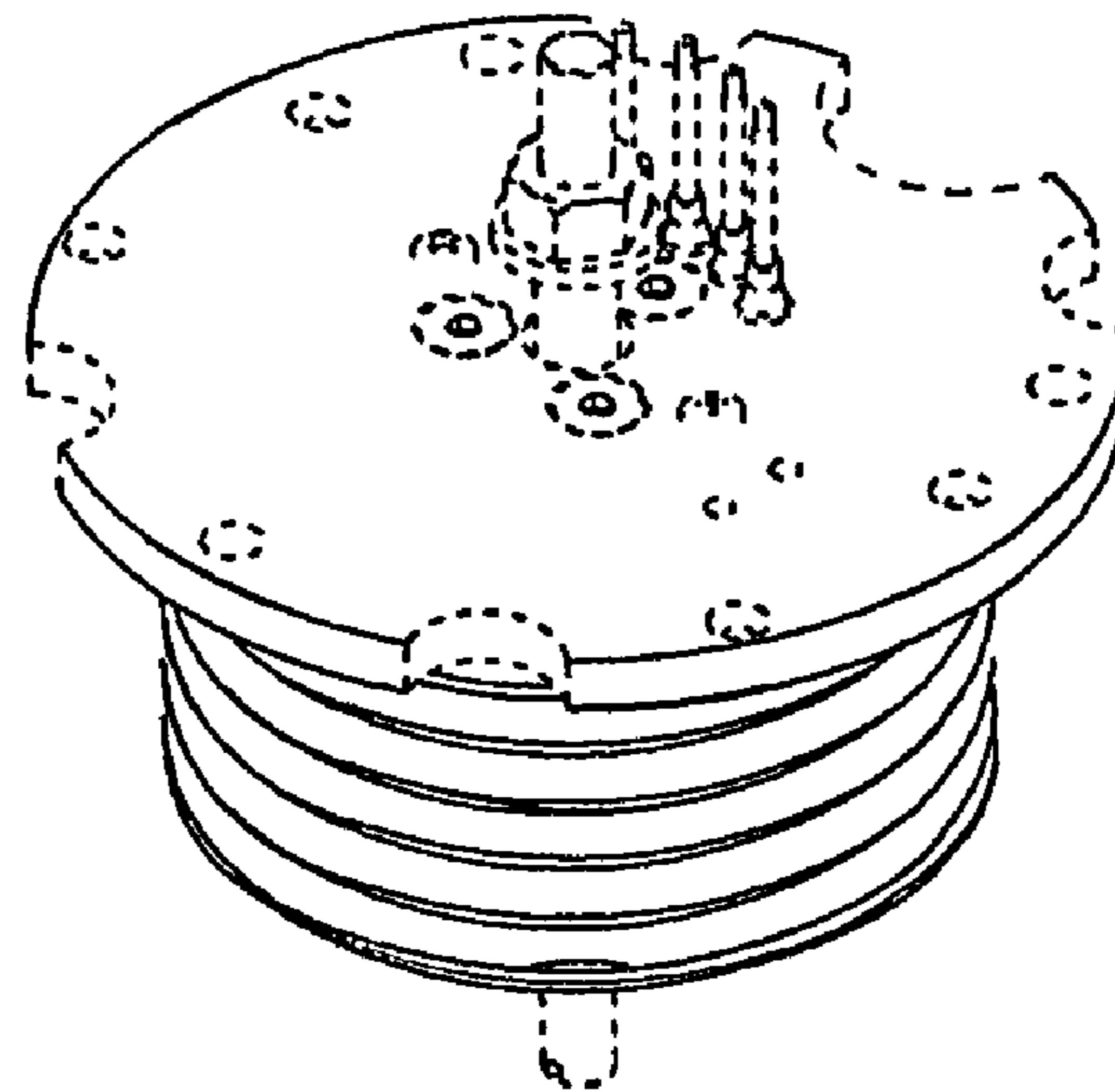
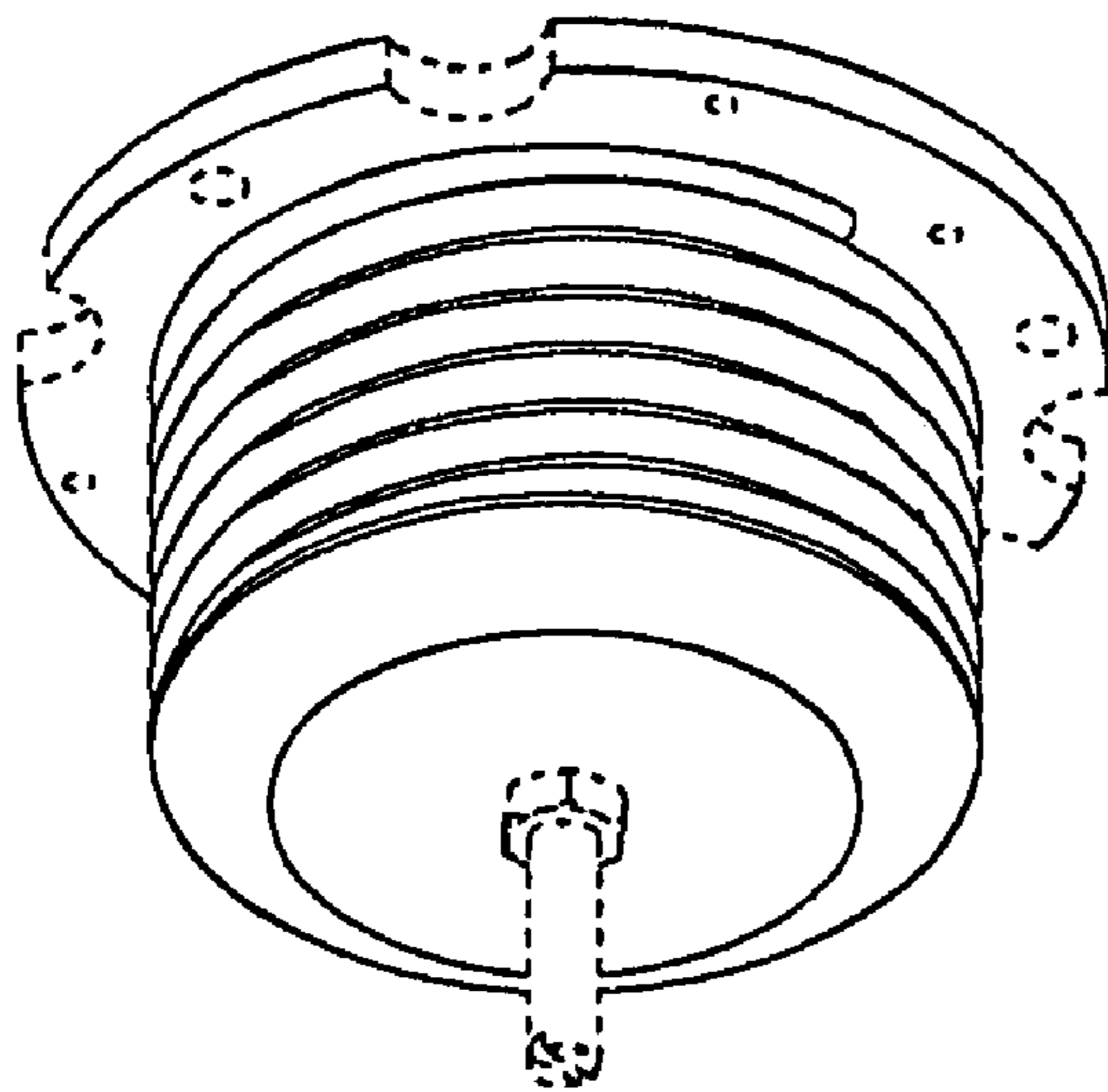
FIG. 1 shows a top view of a recloser for capacitor switching. FIG. 2 is a front view thereof.

FIG. 3 is a right side view thereof, the left side view being a mirror image thereof.

FIG. 4 is a bottom, right front perspective view thereof; and, FIG. 5 is a top, right front perspective view thereof.

The broken line portions of the figure drawings are included to show unclaimed subject matter and form no part of the claimed design.

1 Claim, 1 Drawing Sheet



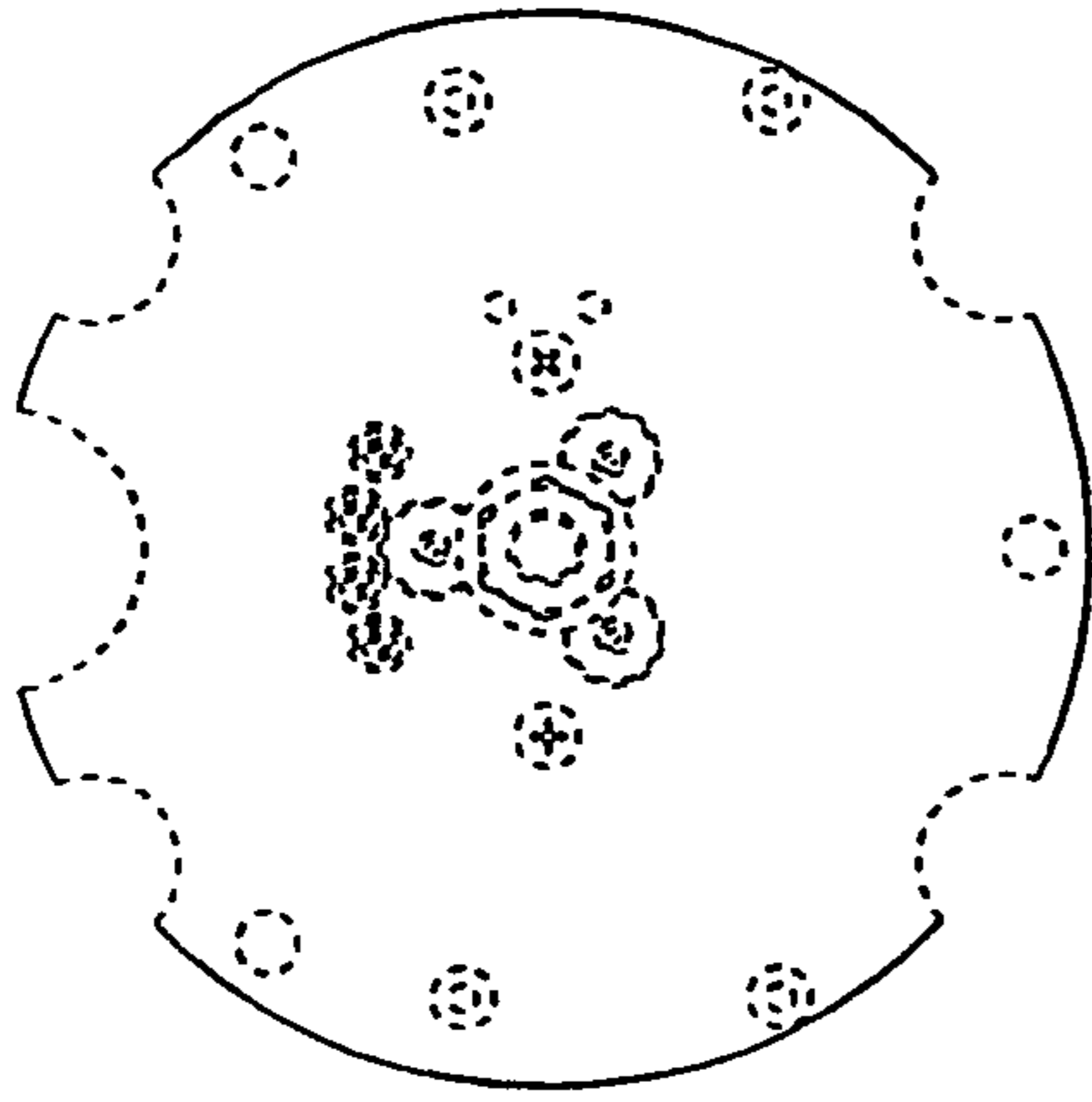


FIG. 1

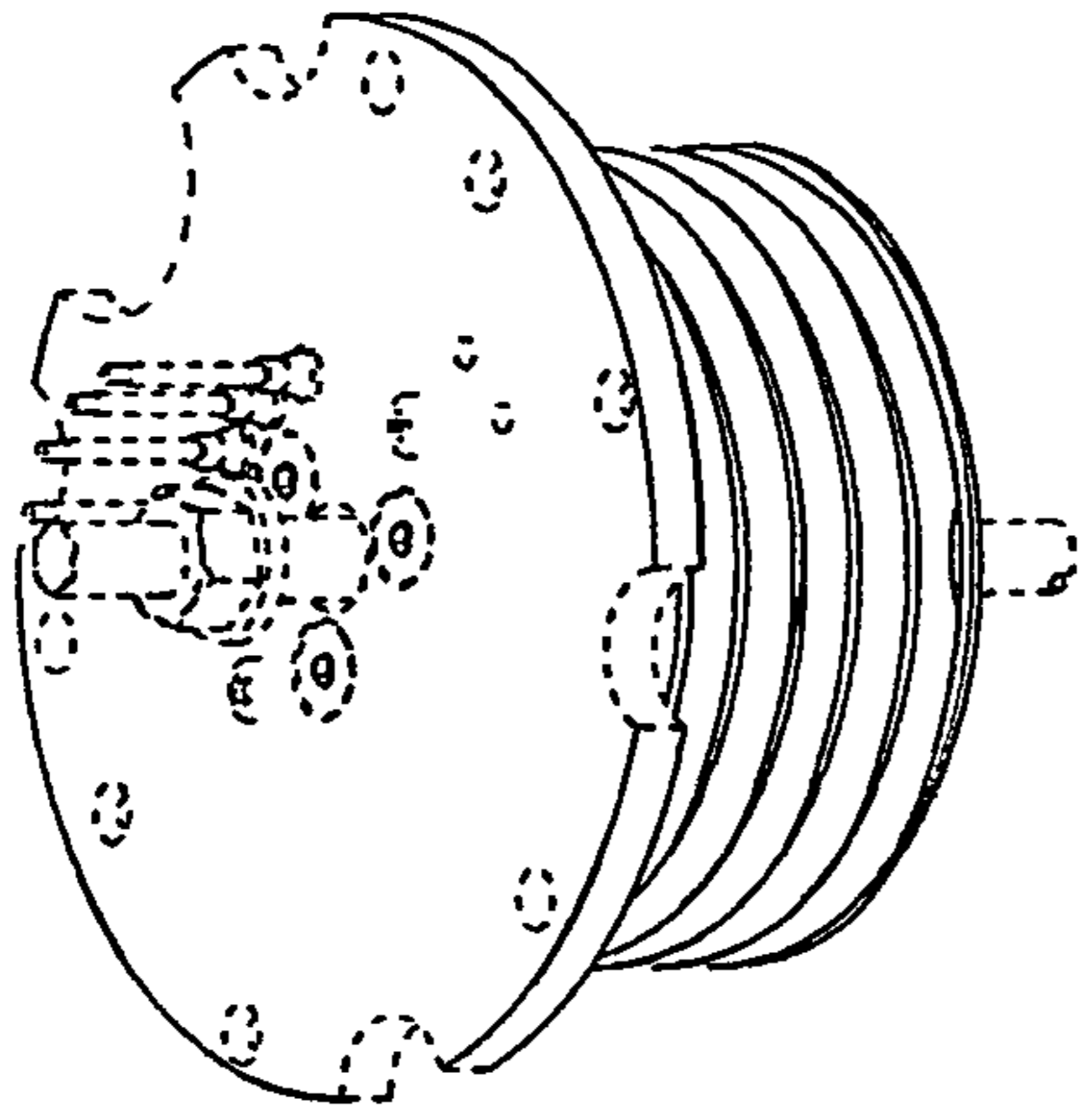


FIG. 5

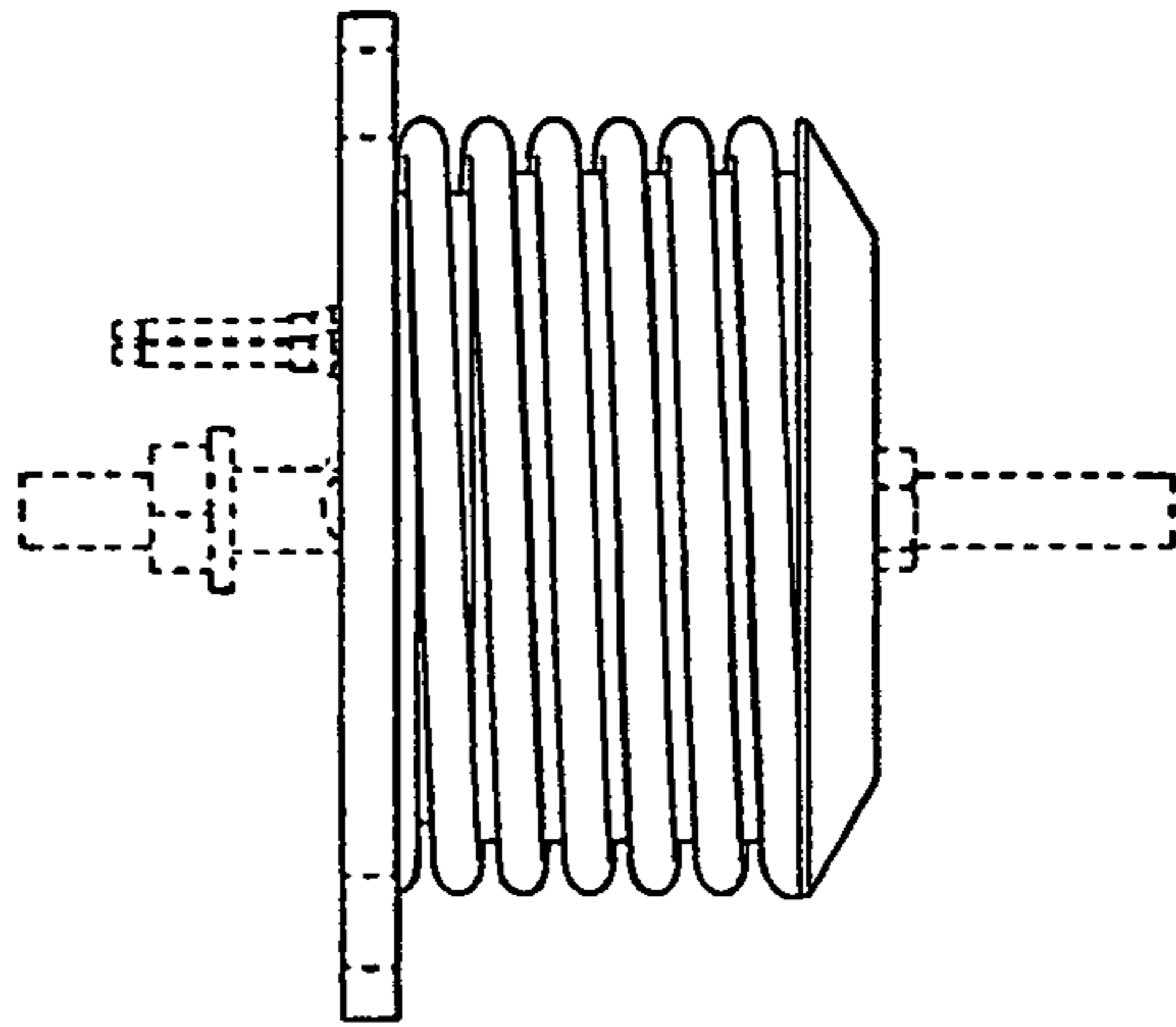


FIG. 3

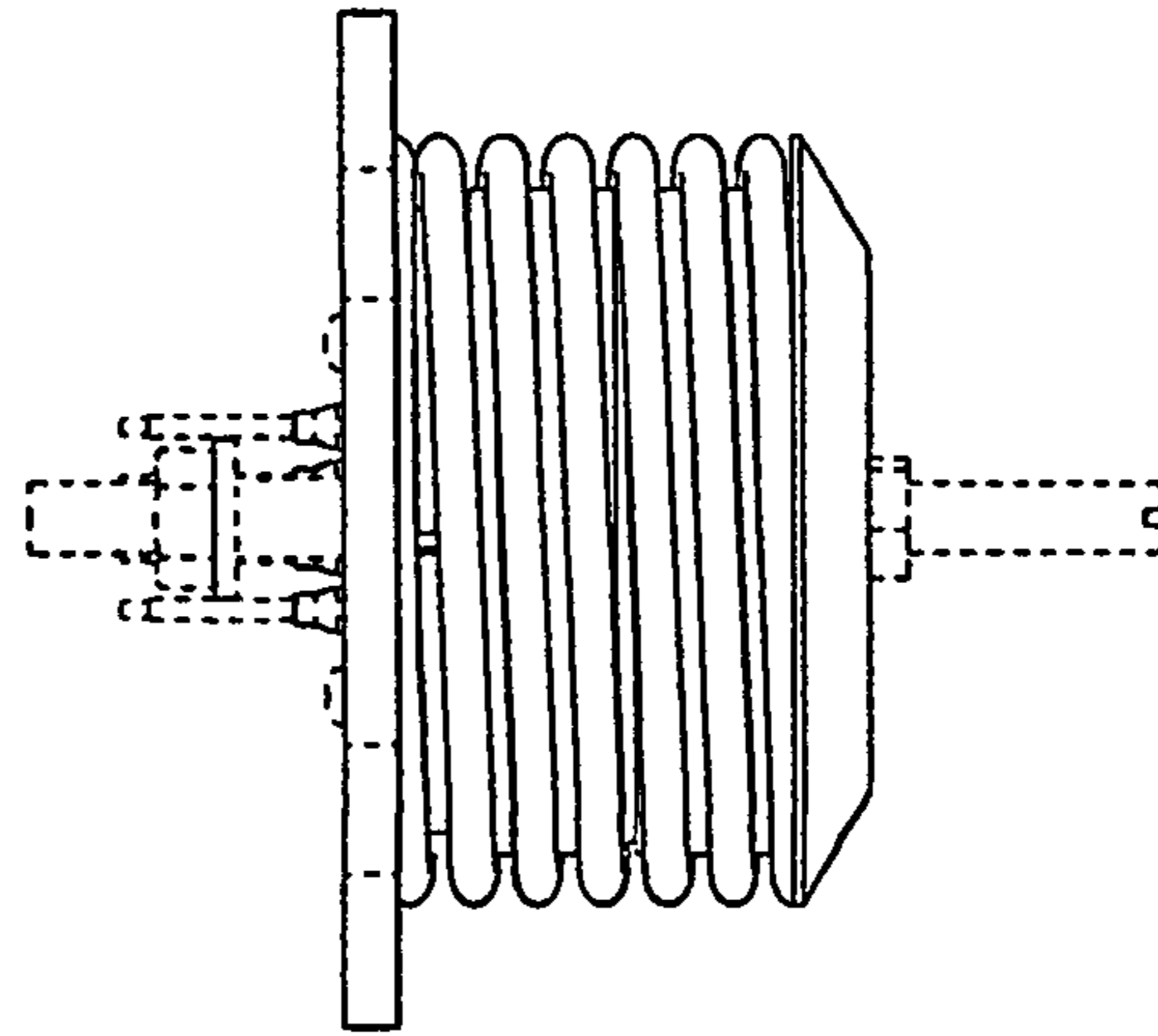


FIG. 2

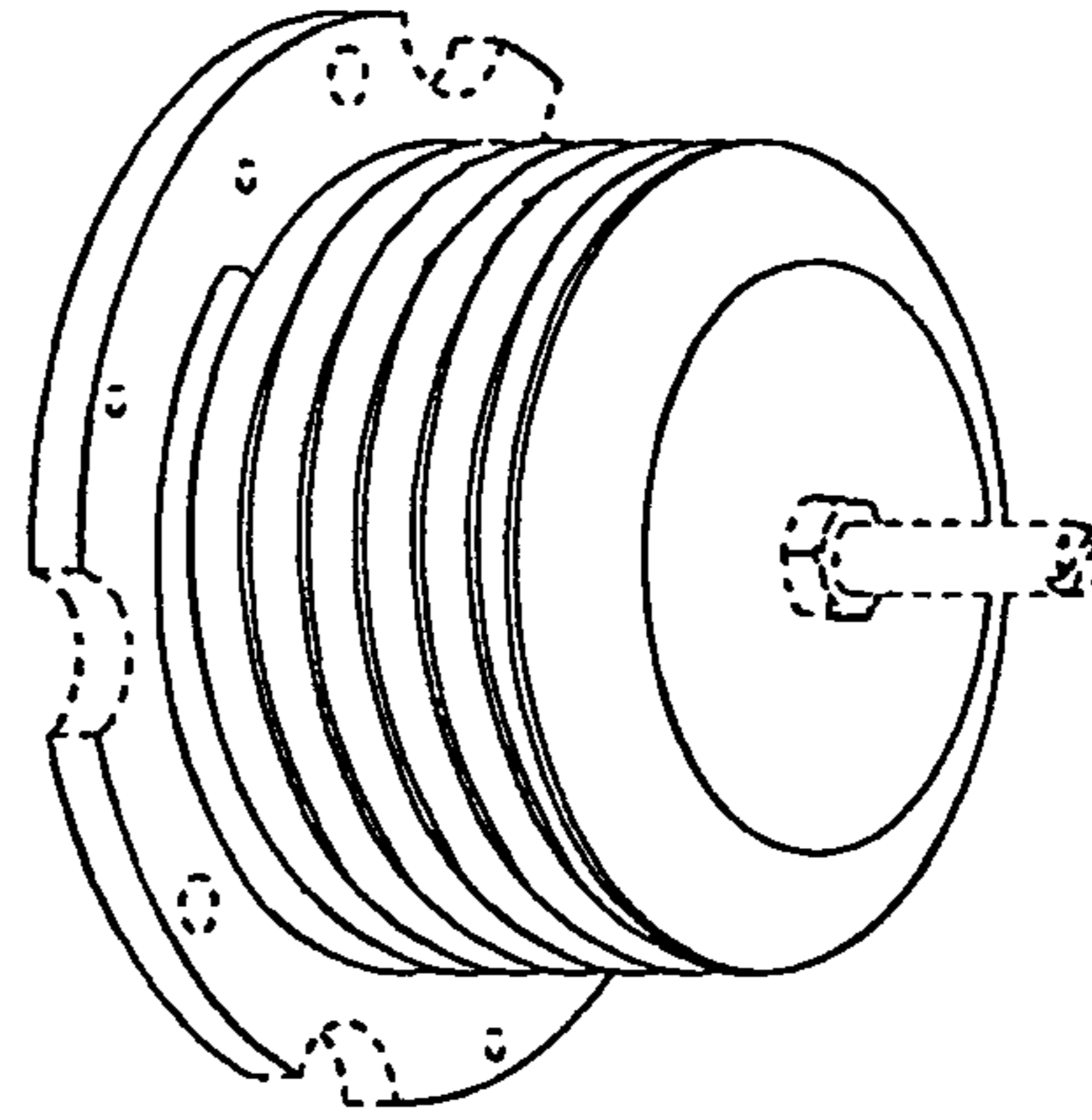


FIG. 4