



US00D742316S

(12) **United States Design Patent**
Sato et al.

(10) **Patent No.:** **US D742,316 S**
(45) **Date of Patent:** **** Nov. 3, 2015**

- (54) **MOTOR**
- (71) Applicant: **Panasonic Intellectual Property Management Co., Ltd., Osaka (JP)**
- (72) Inventors: **Hiroki Sato, Osaka (JP); Hiroaki Kawasaki, Osaka (JP); Ichi Nakamura, Osaka (JP)**
- (73) Assignee: **Panasonic Intellectual Property Management Co., Ltd., Osaka (JP)**
- (**) Term: **14 Years**
- (21) Appl. No.: **29/512,591**
- (22) Filed: **Dec. 19, 2014**
- (51) **LOC (10) Cl.** **13-01**
- (52) **U.S. Cl.**
USPC **D13/112**
- (58) **Field of Classification Search**
USPC D13/112, 101, 110, 113-118, 122, 123, D13/154, 162, 164, 184, 199; D15/3, 5, D15/199; 29/596, 598; 310/10, 40 MM, 310/40 R, 64, 80, 83, 85, 88, 89, 91, 109, 310/236, 239, 254; 322/16, 39; 318/255, 318/245; 74/606 R, 609; 361/688, 704, 709
CPC F02B 63/04; H02K 3/24; H02K 3/47
See application file for complete search history.

D611,410 S *	3/2010	Sturm et al.	D13/112
D619,620 S *	7/2010	Mayer et al.	D15/5
D668,264 S *	10/2012	Tiefenthaler	D15/5
D673,980 S *	1/2013	Tiefenthaler	D15/5
D707,629 S *	6/2014	Cocks et al.	D13/122
D709,030 S *	7/2014	Lillington	D13/118
D733,186 S *	6/2015	Bink et al.	D15/5
2011/0285224 A1 *	11/2011	Iki et al.	310/64

FOREIGN PATENT DOCUMENTS

CN	200703114699.5	3/2008
CN	200830245515.3	10/2009
CN	200930145820.X	3/2010
CN	201130319084.2	2/2012

* cited by examiner

Primary Examiner — Derrick Holland
Assistant Examiner — Jennifer O King

(74) *Attorney, Agent, or Firm* — Panasonic Patent Center

(57) **CLAIM**

We claim the ornamental design for a motor, as shown and described.

DESCRIPTION

FIG. 1 is a front perspective view of a motor of the present invention;
 FIG. 2 is a first rear perspective view thereof;
 FIG. 3 is a second rear perspective view thereof;
 FIG. 4 is a front view thereof;
 FIG. 5 is a rear view thereof;
 FIG. 6 is a left side view thereof;
 FIG. 7 is a right side view thereof;
 FIG. 8 is a top view thereof;
 FIG. 9 is a bottom view thereof; and,
 FIG. 10 is an enlarged view taken along the line 10-10 of FIG. 5.

The broken lines shown represent unclaimed subject matter and form no part of the claimed design.

1 Claim, 10 Drawing Sheets

(56) **References Cited**

U.S. PATENT DOCUMENTS

D172,769 S *	8/1954	Sundberg	D13/112
D173,547 S *	11/1954	Sundberg	D13/112
D173,682 S *	12/1954	Shaffer	D13/112
D187,791 S *	5/1960	Dunn	D13/112
D196,651 S *	10/1963	Baclawski	D13/112
D245,498 S *	8/1977	Andreas	D13/112
D398,286 S *	9/1998	Becker et al.	D13/114
D401,553 S *	11/1998	Pearce et al.	D13/112
D603,793 S *	11/2009	Lindberg	D13/112

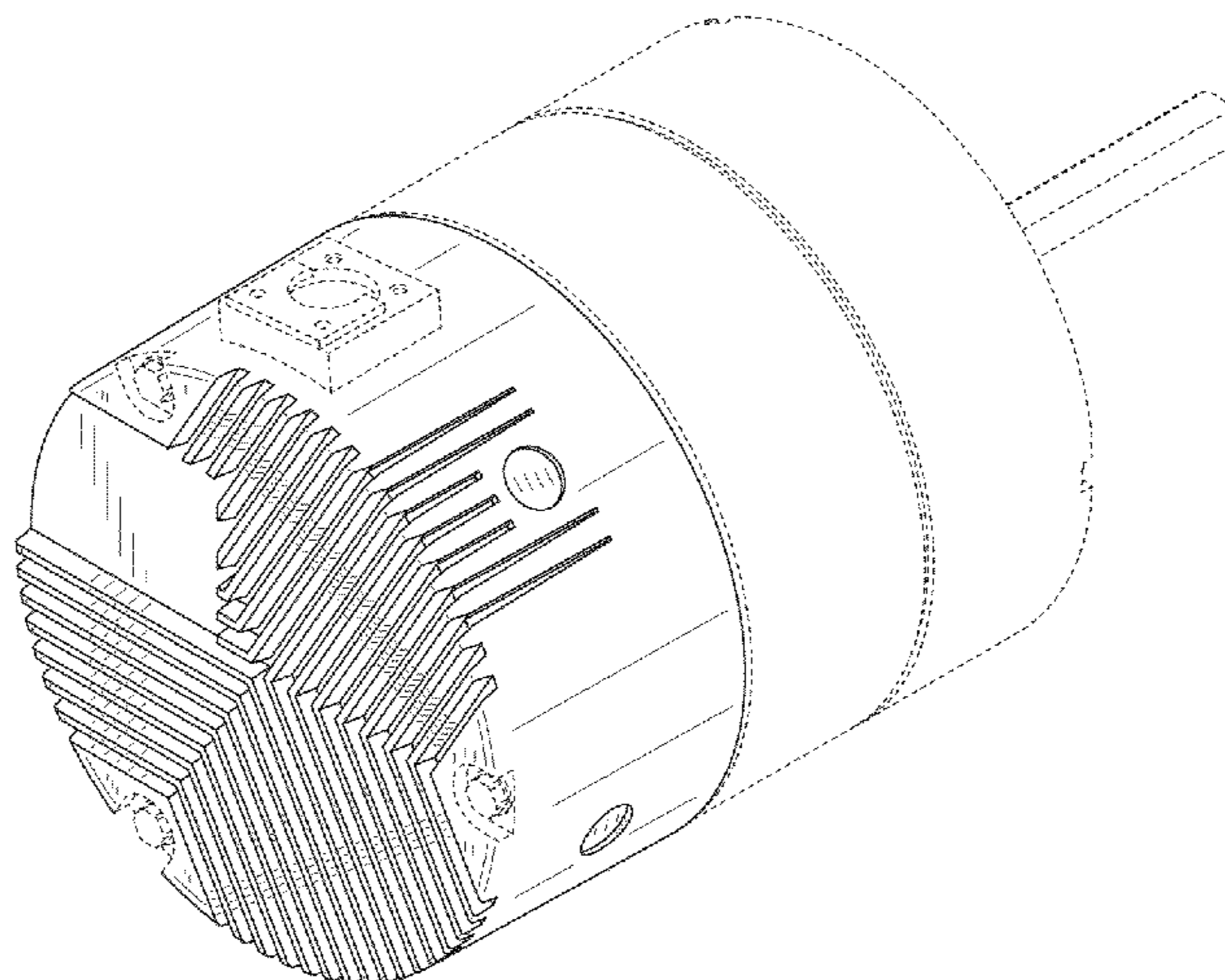


FIG. 1

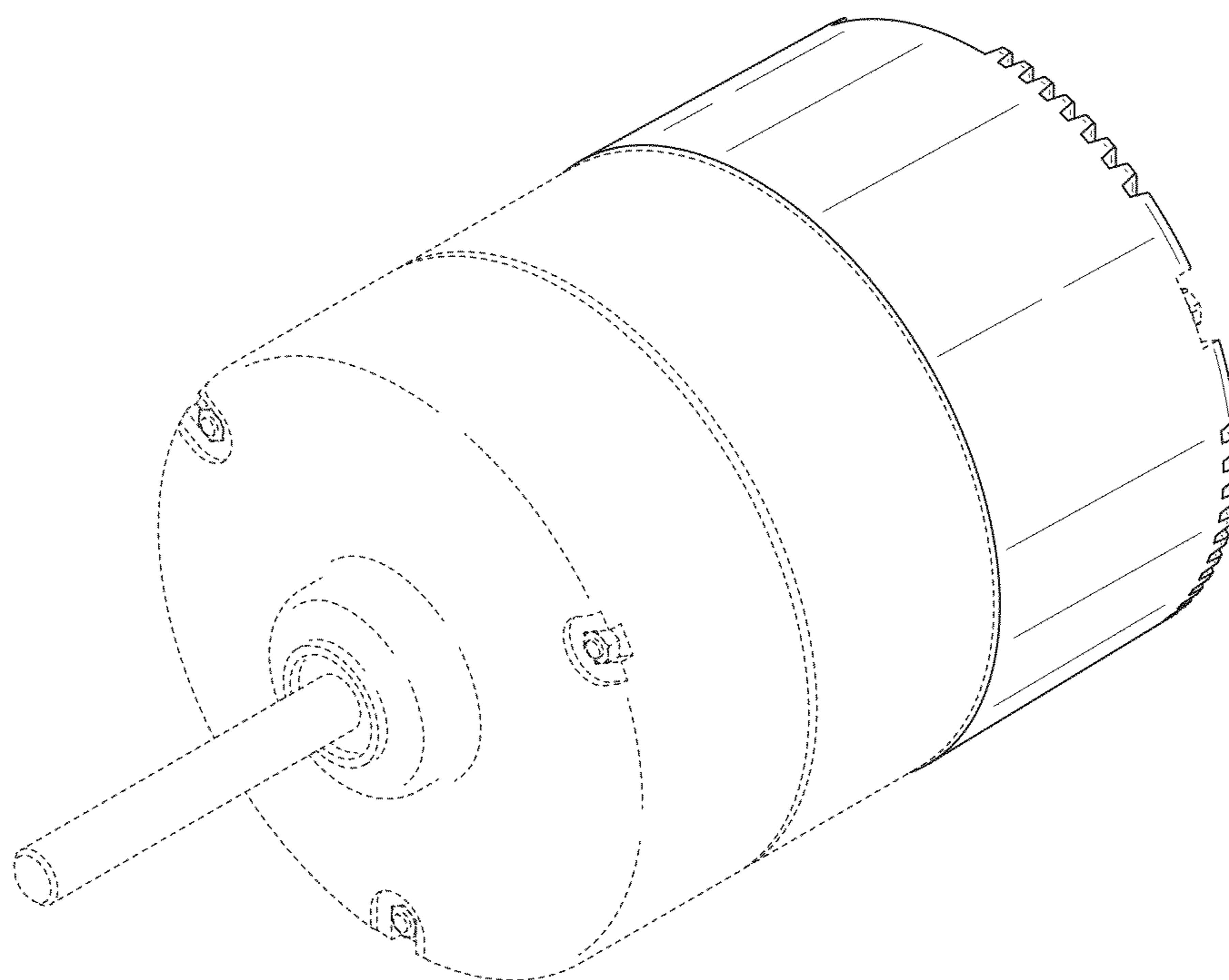


FIG. 2

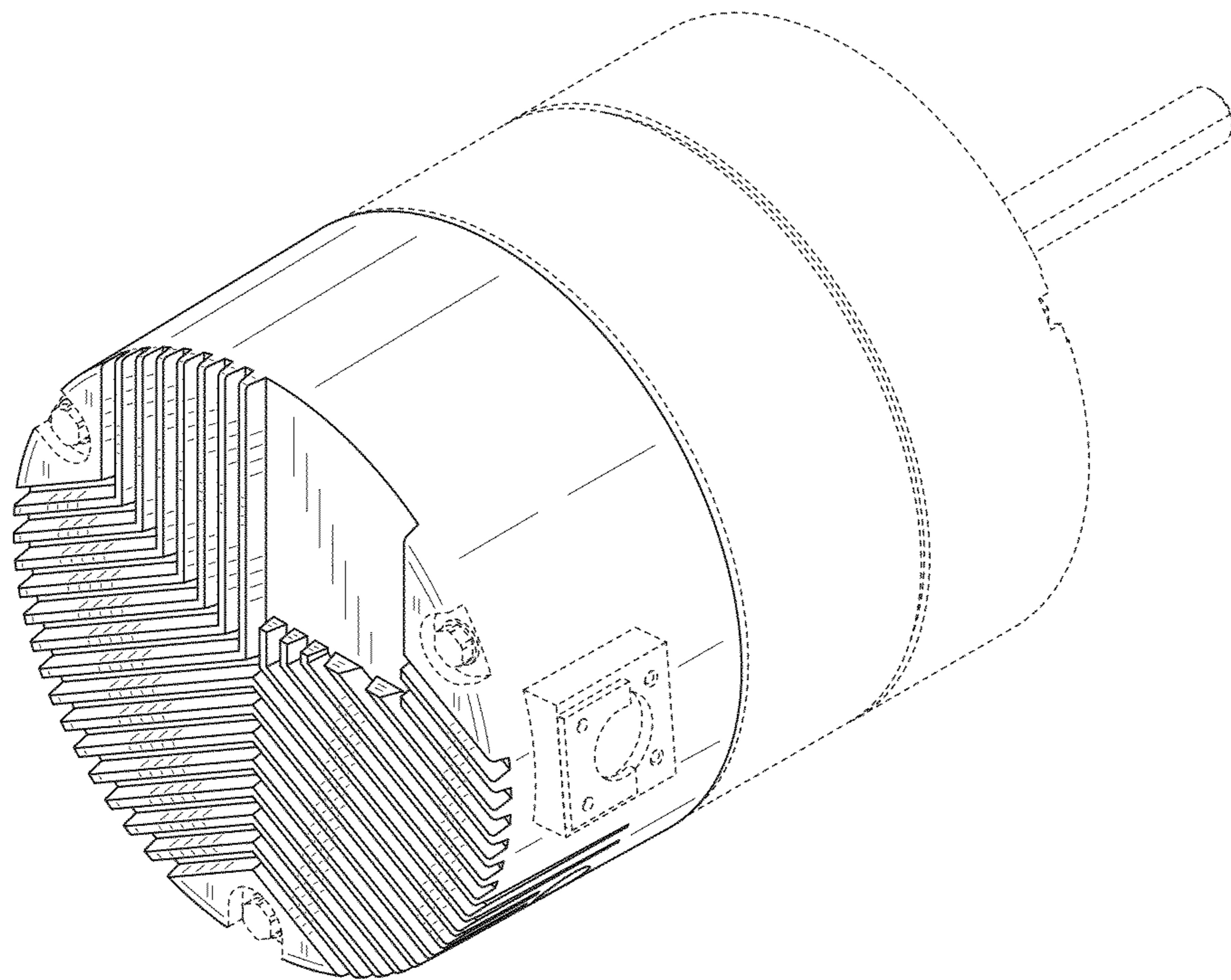


FIG. 3

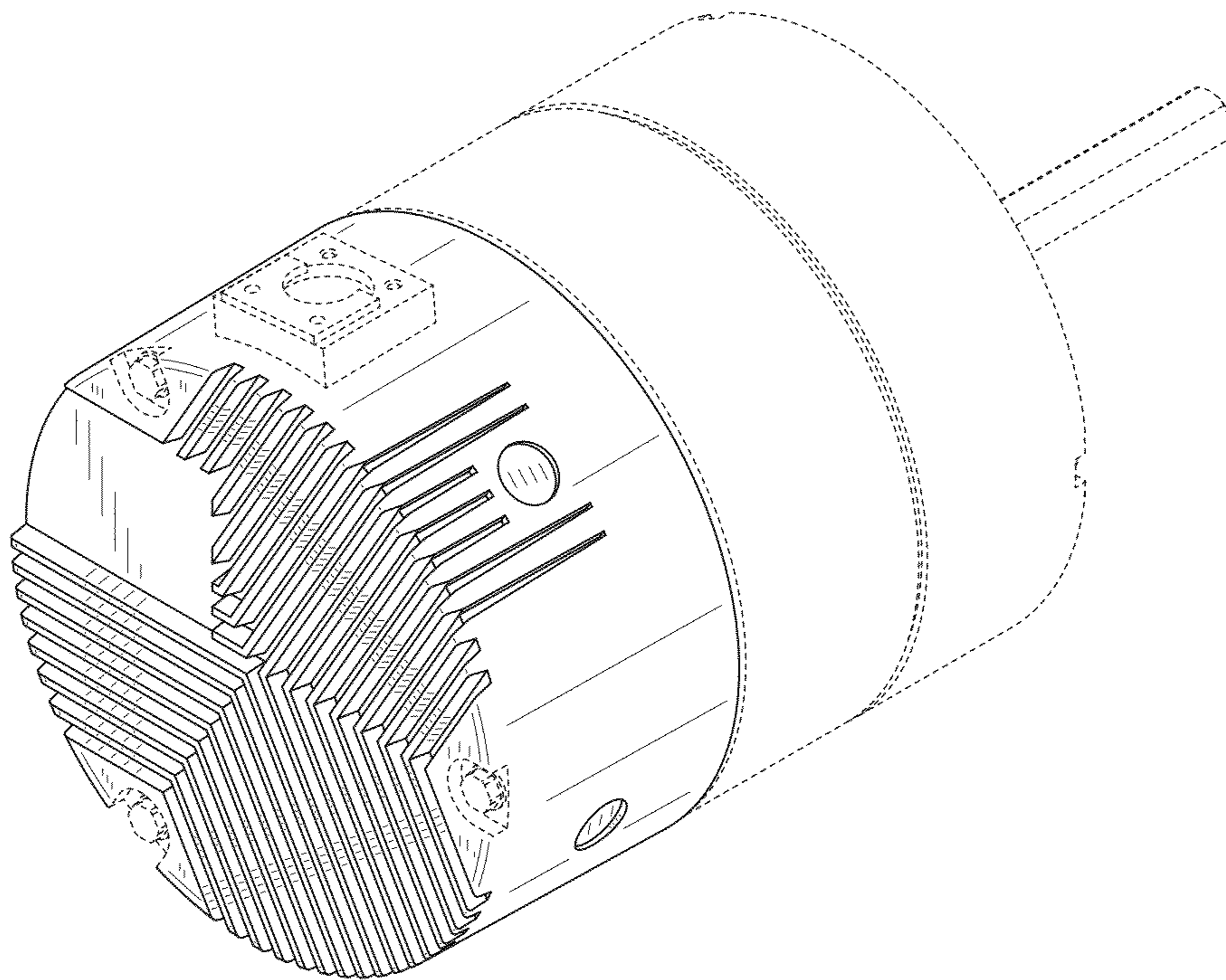


FIG. 4

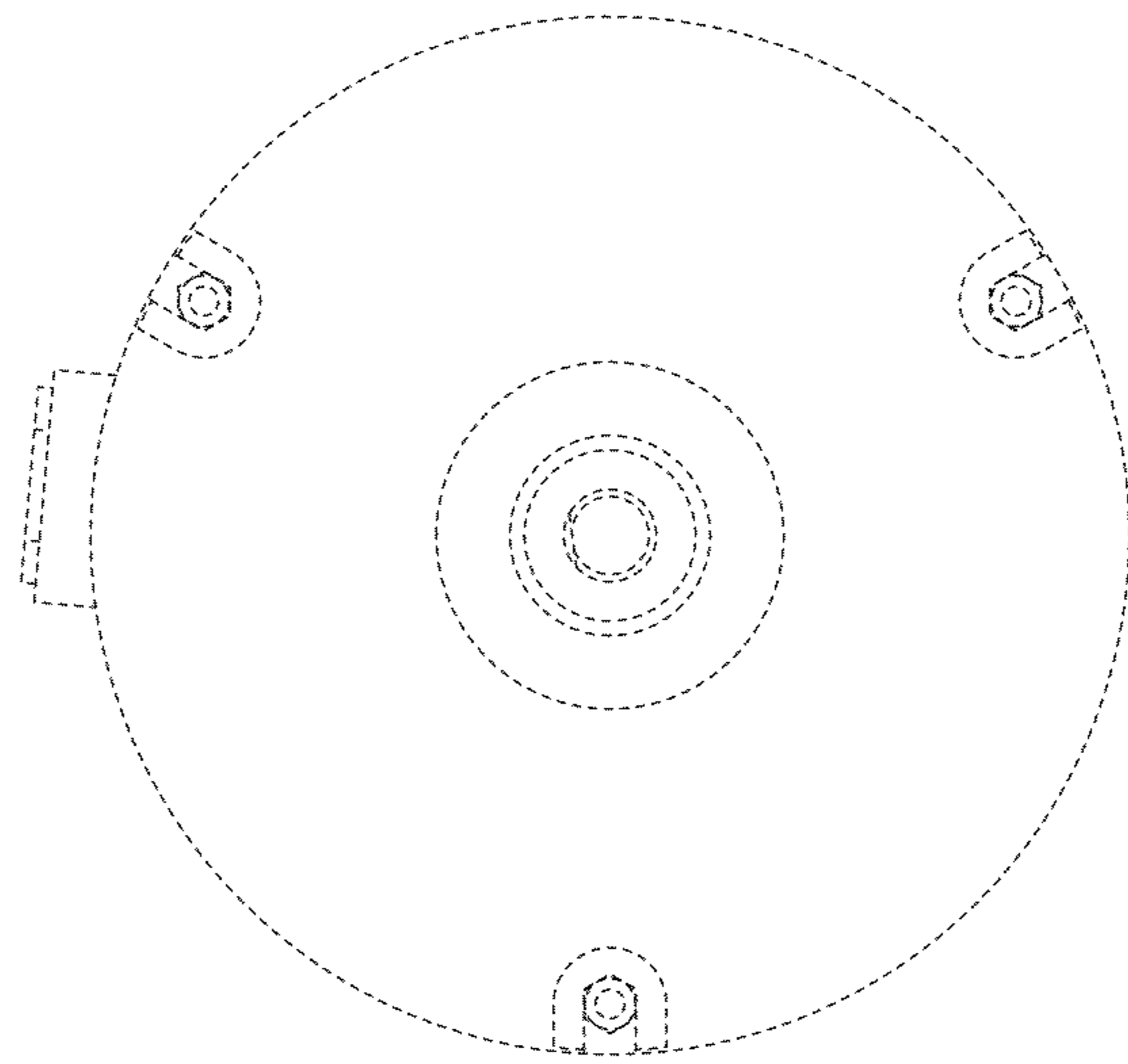


FIG. 5

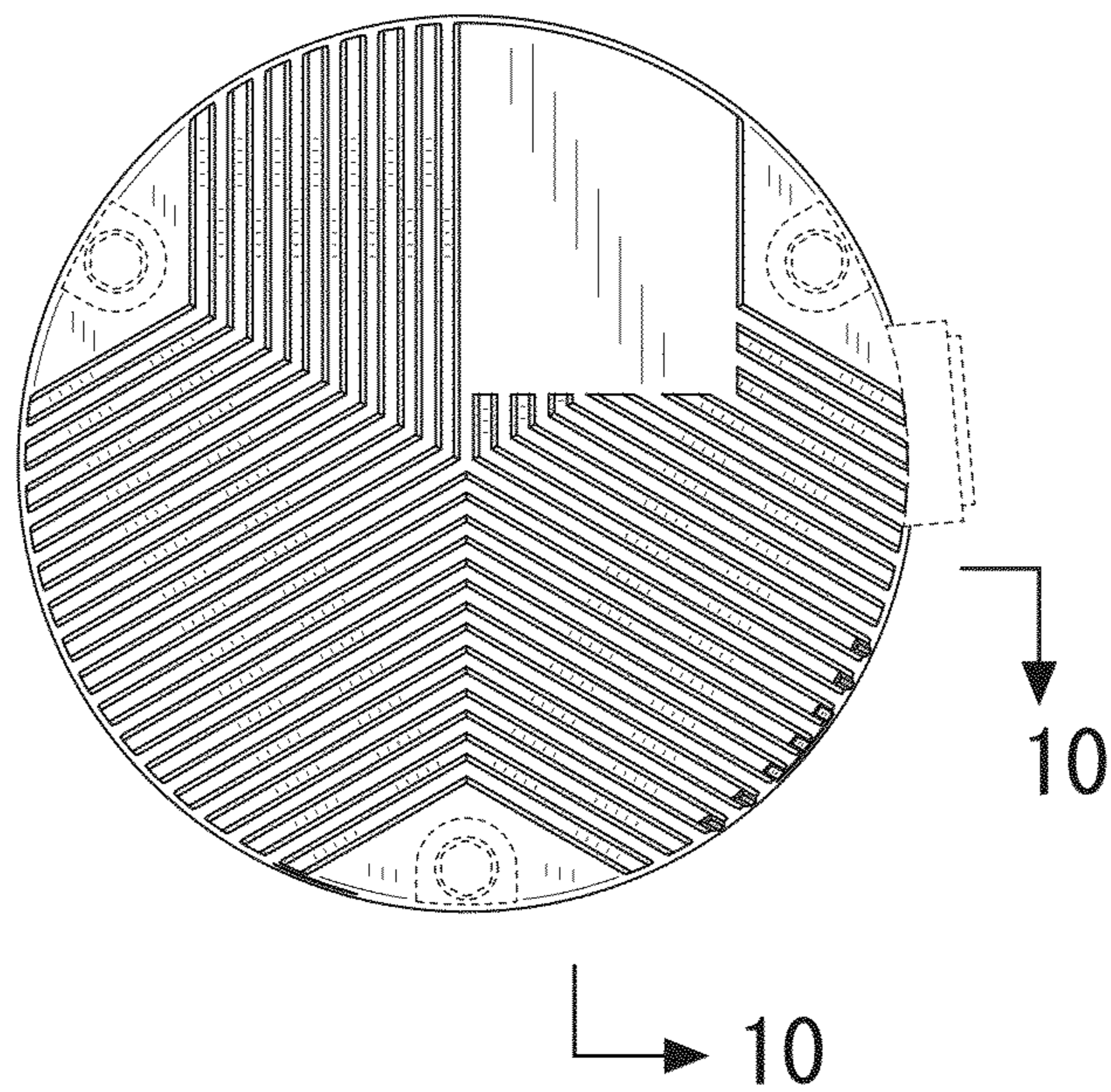


FIG. 6

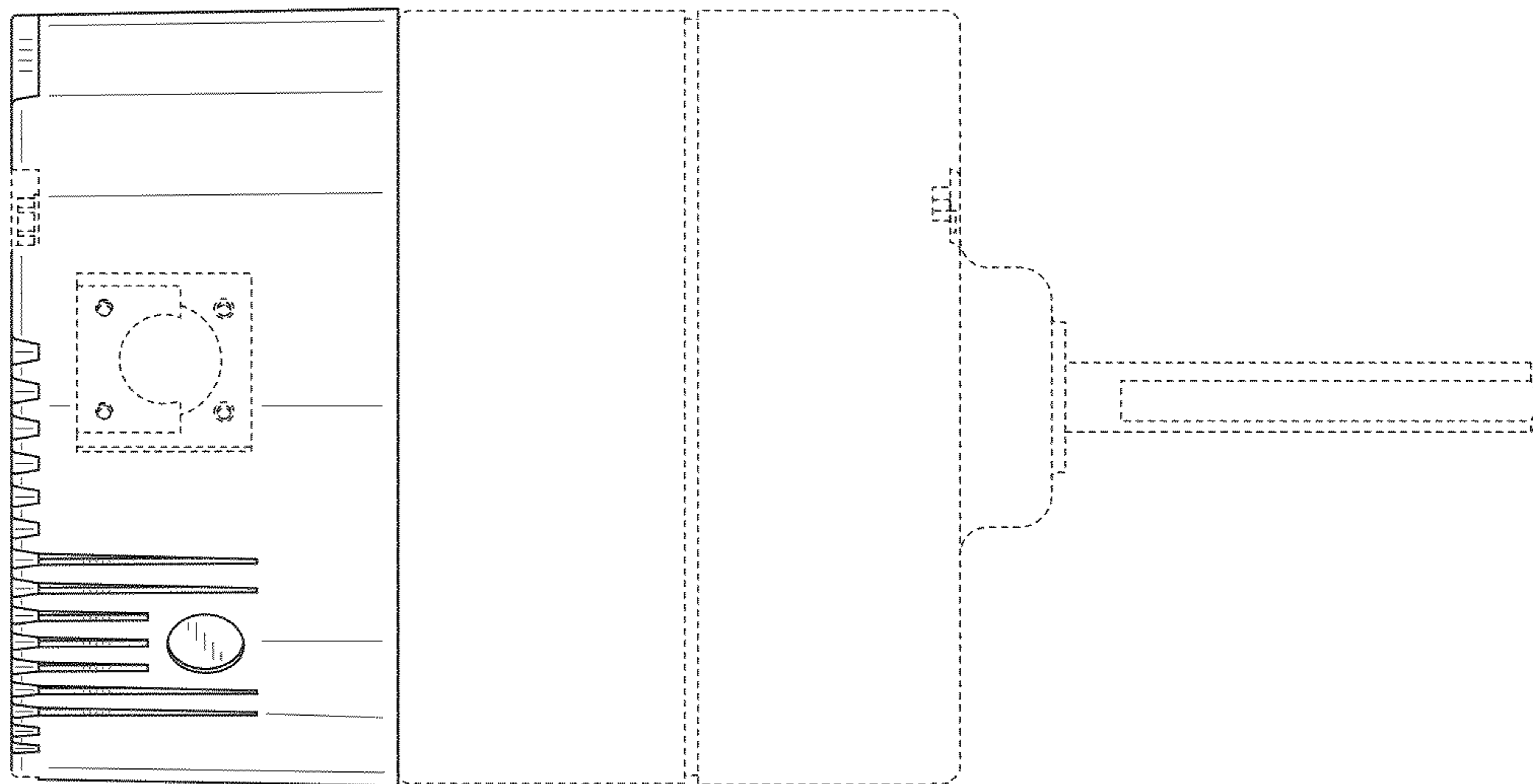


FIG. 7

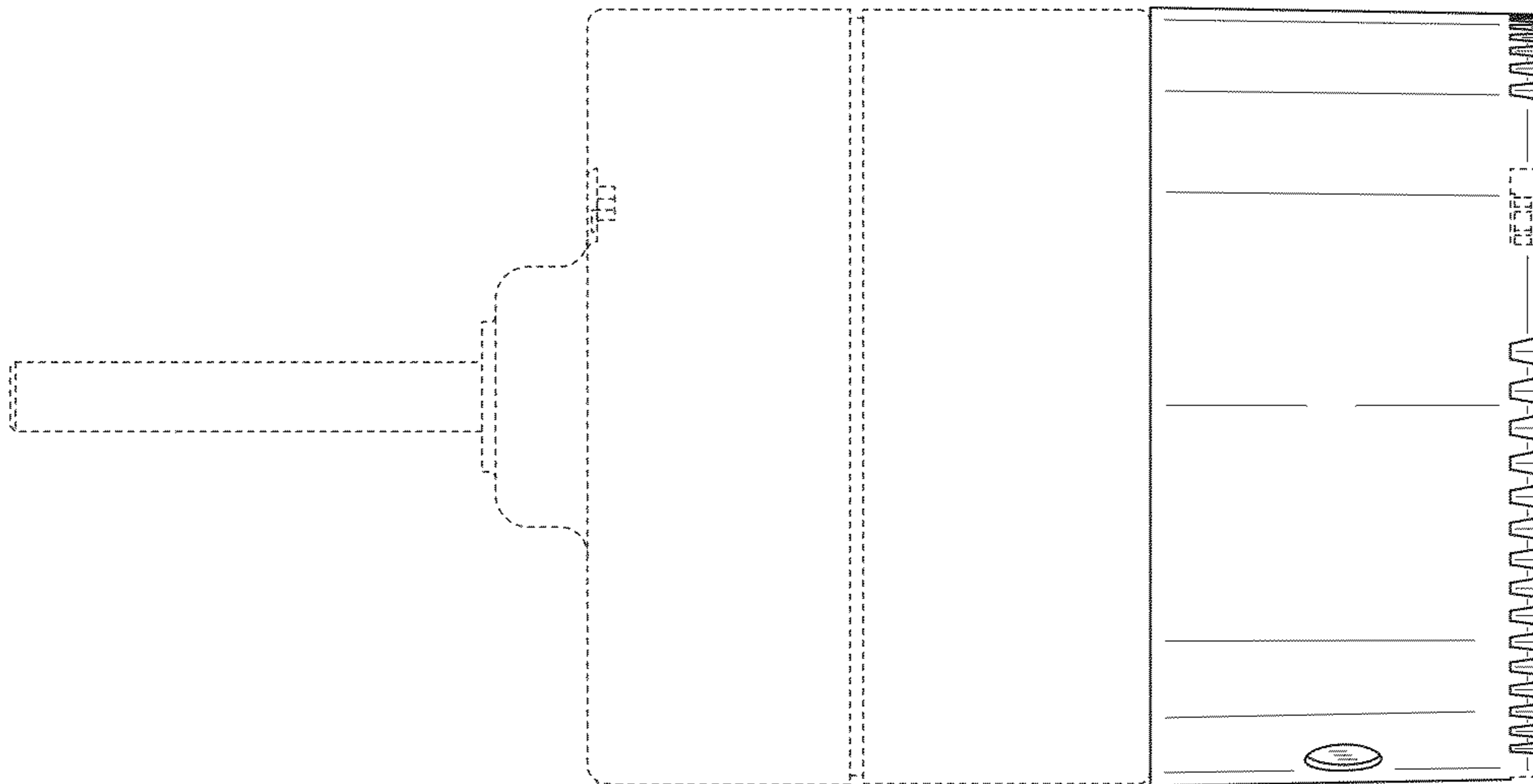


FIG. 8

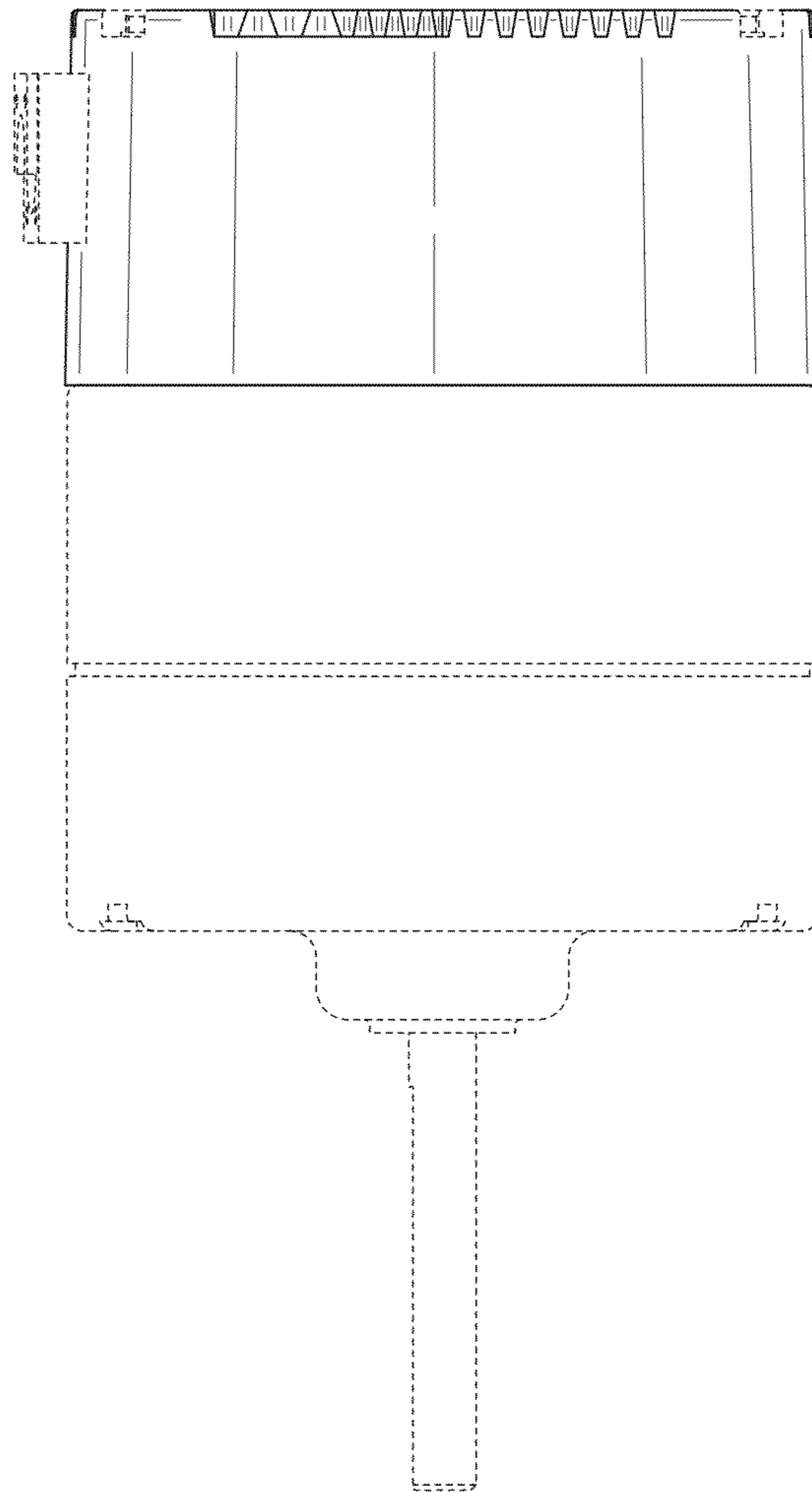


FIG. 9

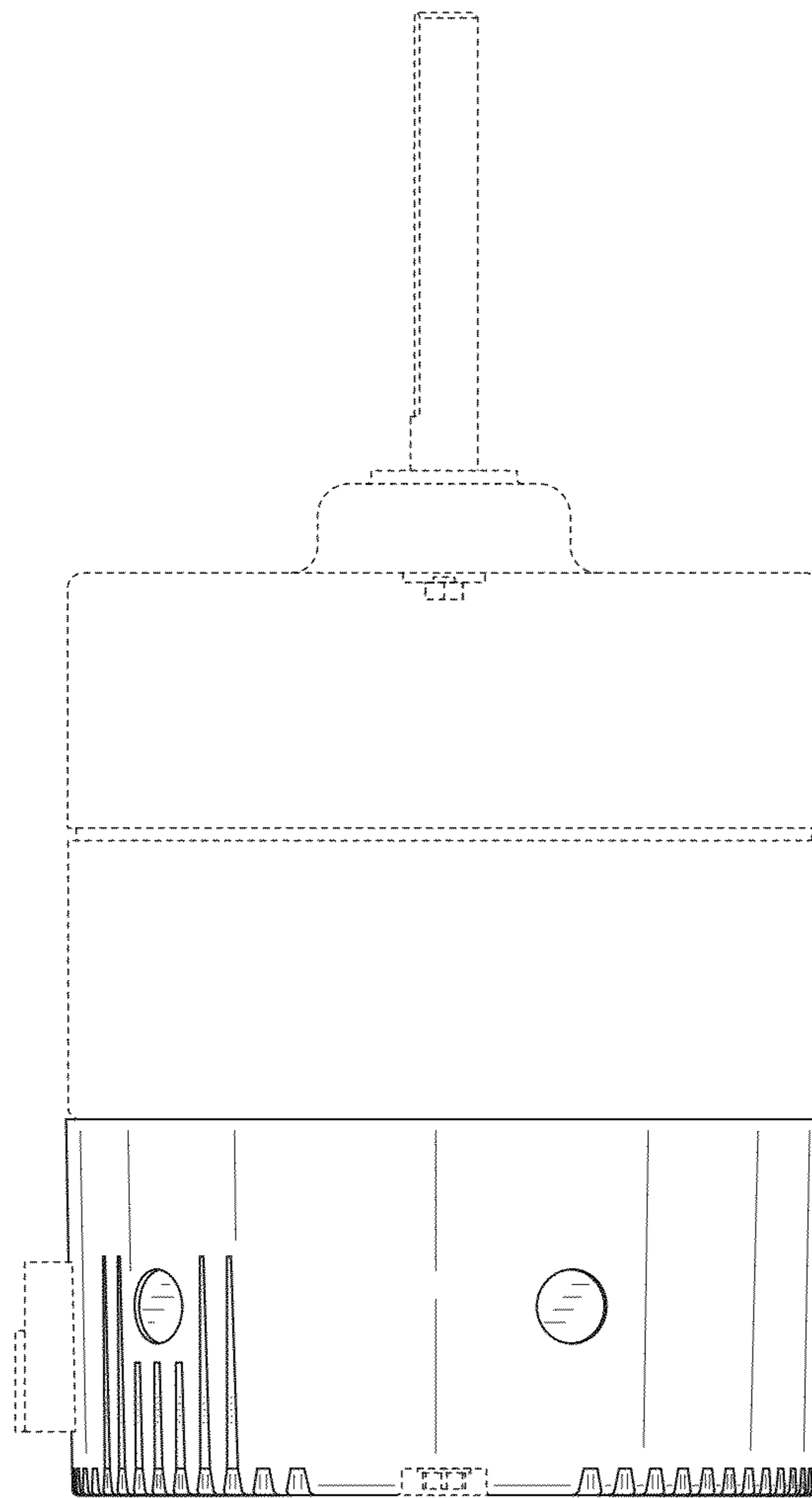


FIG. 10

