



US00D742311S

(12) **United States Design Patent**
Miller et al.

(10) **Patent No.:** **US D742,311 S**
(45) **Date of Patent:** **** Nov. 3, 2015**

- (54) **PORTABLE POWER CHARGER**
- (71) Applicants: **Garold C. Miller**, Glastonbury, CT (US); **Nathan Daniel Weinstein**, Glastonbury, CT (US)
- (72) Inventors: **Garold C. Miller**, Glastonbury, CT (US); **Nathan Daniel Weinstein**, Glastonbury, CT (US)
- (73) Assignee: **Halo2Cloud LLC.**, Glastonbury, CT (US)
- (**) Term: **14 Years**
- (21) Appl. No.: **29/504,183**
- (22) Filed: **Oct. 2, 2014**
- (51) **LOC (10) Cl.** **13-02**
- (52) **U.S. Cl.**
USPC **D13/108**; D13/103
- (58) **Field of Classification Search**
USPC D13/103, 107-110, 118-119, 182, 199; D14/251, 253, 432, 434; 320/107-115
CPC Y02E 60/12; Y02T 90/14; Y02T 90/122; Y02T 90/128; Y02T 90/163; H02J 7/025; H02J 7/0042; H02J 7/0044; H02J 7/0045; H02J 7/0003; H01F 38/14; H01R 13/6675; H01M 2/1022; H01M 2/1055; H01M 10/44; H01M 10/46; H01M 10/425; B60L 11/182
See application file for complete search history.

- (56) **References Cited**
U.S. PATENT DOCUMENTS
D592,138 S * 5/2009 Mahaffey et al. D13/123
D618,237 S 6/2010 Wang
D628,153 S * 11/2010 Fujii et al. D13/108
D628,535 S * 12/2010 Cheng D13/108
D641,754 S 7/2011 Camarena et al.

D643,427 S	8/2011	McGoldrick et al.	
D656,096 S *	3/2012	Sasada et al.	D13/108
D659,094 S *	5/2012	Brand et al.	D13/108
D663,684 S *	7/2012	Yang	D13/108
D663,685 S *	7/2012	Yang	D13/108
D680,063 S *	4/2013	Sasada	D13/103
D682,196 S *	5/2013	Leung	D13/103
D682,197 S *	5/2013	Leung	D13/103
D697,867 S *	1/2014	Weinstein et al.	D13/108
D713,785 S *	9/2014	Tehrani	D13/108
D715,219 S *	10/2014	Cepress et al.	D13/108
D722,961 S *	2/2015	Lin et al.	D13/108
D727,257 S *	4/2015	Miller et al.	D13/108
D727,258 S *	4/2015	Miller et al.	D13/108
2009/0267562 A1	10/2009	Guccione et al.	
2013/0150134 A1 *	6/2013	Pliner et al.	455/573
2014/0042969 A1 *	2/2014	Miller et al.	320/111
2015/0028797 A1 *	1/2015	Miller et al.	320/103
2015/0094123 A1	4/2015	Yeiser, IV.	

* cited by examiner

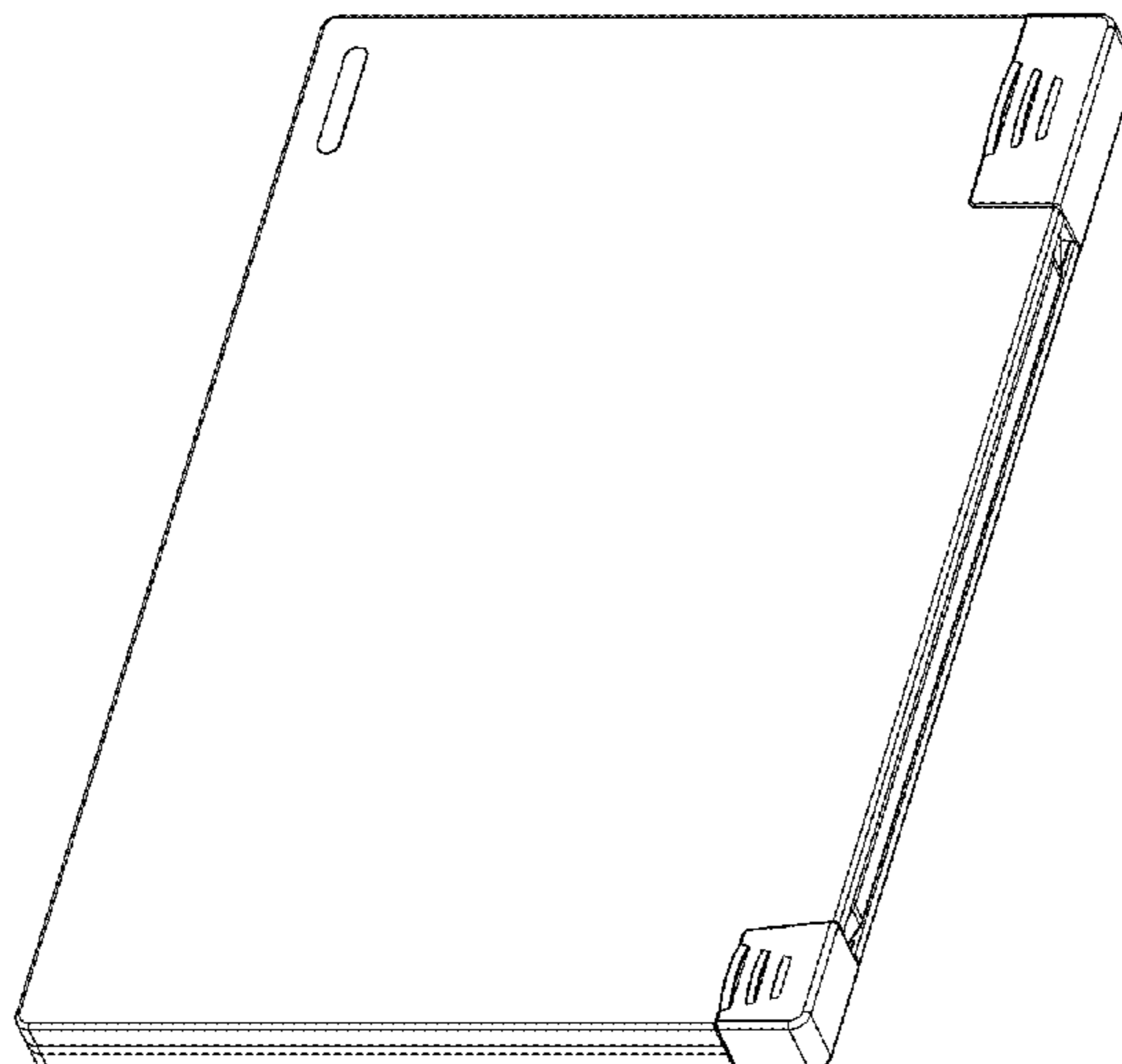
Primary Examiner — Rosemary K Tarcza
(74) *Attorney, Agent, or Firm* — McCormick, Paulding & Huber, LLP

(57) **CLAIM**
The ornamental design for a portable power charger, substantially as shown and described.

DESCRIPTION

FIG. 1 is a front, bottom, right-hand side perspective view of a portable power charger comprising a first embodiment of a new, original and ornamental design;
FIG. 2 is a front view thereof;
FIG. 3 is a rear view thereof;
FIG. 4 is a left-hand side view thereof;
FIG. 5 is a right-hand side view thereof;
FIG. 6 is a top view thereof; and,
FIG. 7 is a bottom view thereof.

1 Claim, 2 Drawing Sheets



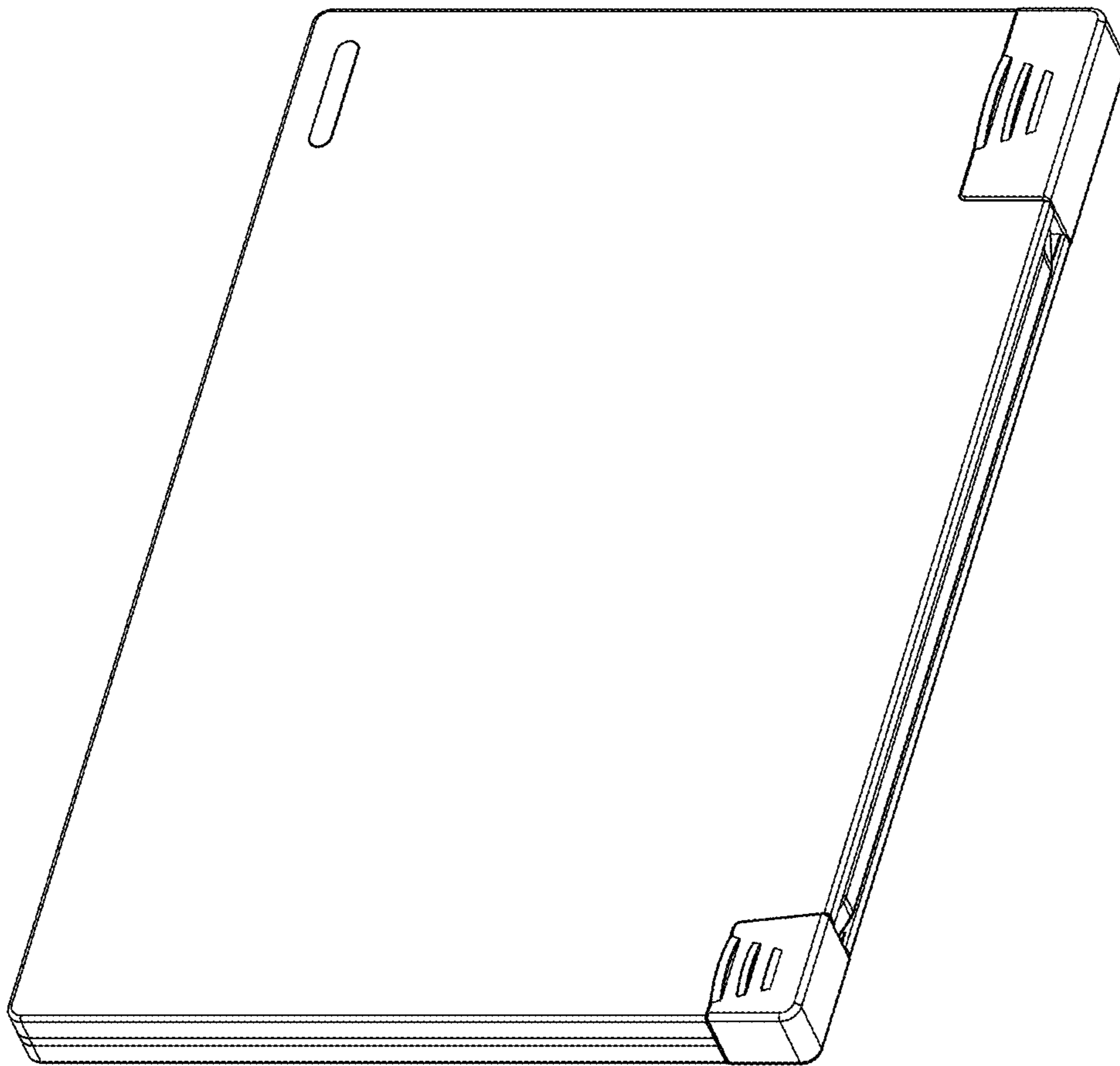


FIG. 1

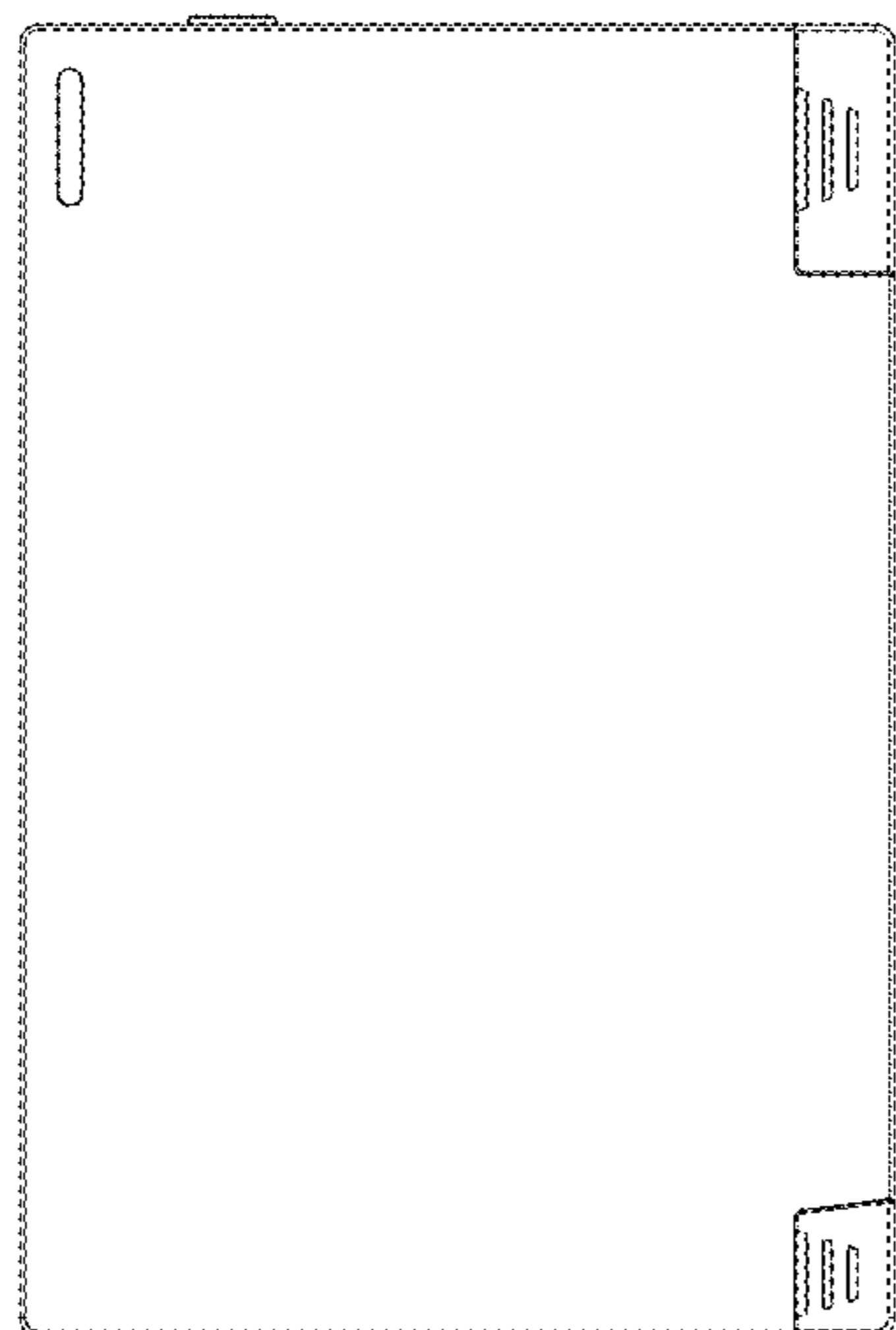


FIG. 2

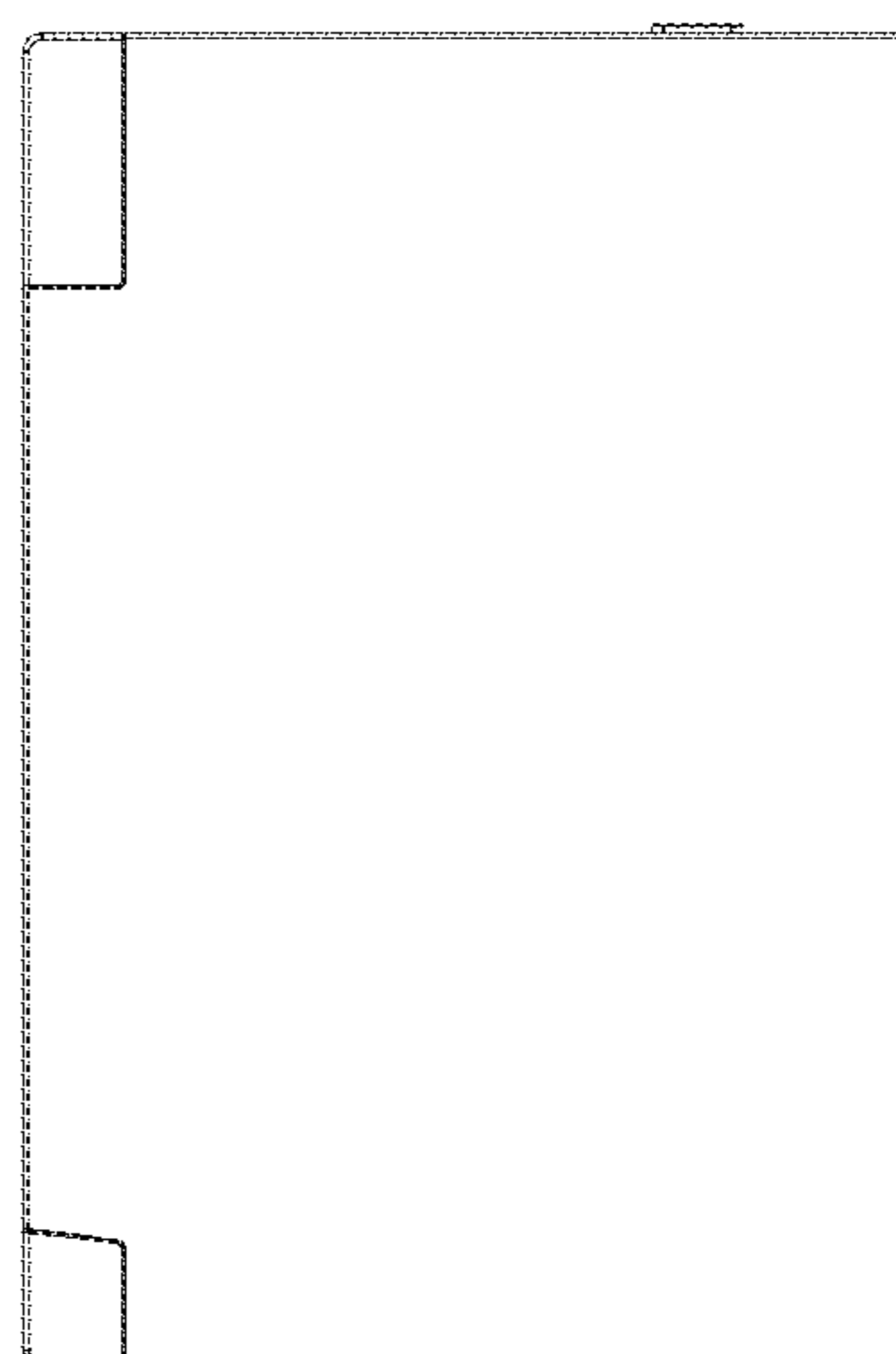


FIG. 3

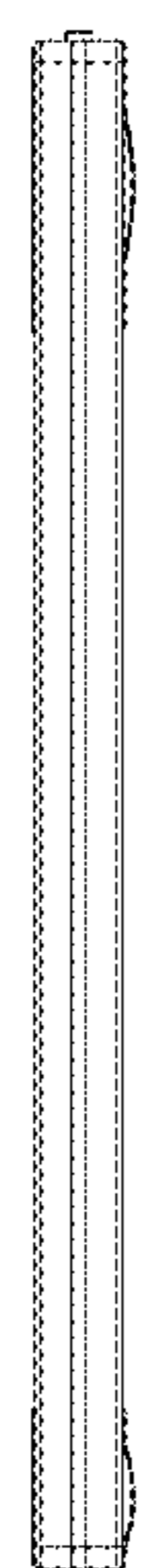


FIG. 4

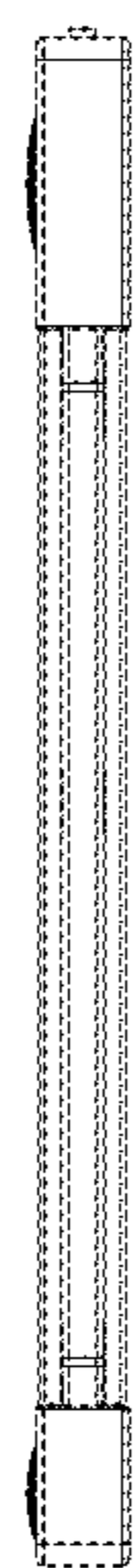


FIG. 5



FIG. 6

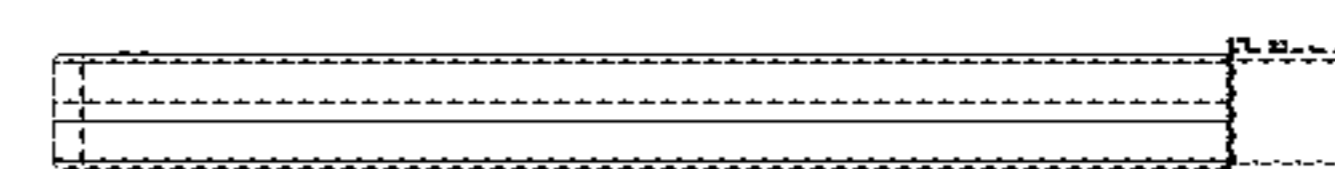


FIG. 7