



US00D742308S

(12) **United States Design Patent**  
**James**

(10) **Patent No.:** **US D742,308 S**

(45) **Date of Patent:** **\*\* Nov. 3, 2015**

(54) **BATTERY STARTER**

(71) Applicant: **Harbor Freight Tools USA, Inc.,**  
Calabasas, CA (US)

(72) Inventor: **Chad James, Greenville, SC (US)**

(73) Assignee: **HARBOR FREIGHT TOOLS USA,**  
**INC., Calabasas, CA (US)**

(\*\*) Term: **14 Years**

(21) Appl. No.: **29/514,610**

(22) Filed: **Jan. 14, 2015**

**Related U.S. Application Data**

(62) Division of application No. 29/451,284, filed on Mar. 29, 2013, now Pat. No. Des. 722,954.

(51) **LOC (10) Cl.** ..... **13-02**

(52) **U.S. Cl.**  
USPC ..... **D13/107**

(58) **Field of Classification Search**

USPC ..... D13/107-110, 118-119, 184, 199;  
D15/9; 320/103-115  
CPC ..... Y02E 60/12; Y02T 90/14; Y02T 90/122;  
Y02T 90/128; Y02T 90/163; Y02T 10/7005;  
Y02T 10/705; Y02T 10/7088; H02J 7/025;  
H02J 7/0034; H02J 7/0042; H02J 7/0044;  
H02J 7/0045; H02J 7/0054; H02J 7/1423;  
H02J 7/0003; H02J 2001/006; H01F 38/14;  
H01R 13/6675; H01M 2/1022; H01M 2/1055;  
H01M 10/44; H01M 10/46; H01M 10/425;  
B60L 11/182

See application file for complete search history.

(56) **References Cited**

**U.S. PATENT DOCUMENTS**

D423,451 S \* 4/2000 Heckenast et al. .... D13/110  
D432,985 S \* 10/2000 Wan ..... D13/107

D444,125 S \* 6/2001 Shy ..... D13/110  
D452,474 S \* 12/2001 Casarella ..... D13/107  
6,356,050 B1 \* 3/2002 Hussaini ..... 320/105  
D479,194 S \* 9/2003 Casarella ..... D13/107  
D503,378 S \* 3/2005 Hussaini et al. .... D13/107  
D504,396 S \* 4/2005 Hussaini et al. .... D13/107  
D512,685 S \* 12/2005 Krieger et al. .... D13/107  
D517,983 S \* 3/2006 Krieger et al. .... D13/107  
D519,448 S \* 4/2006 Leung ..... D13/107  
D530,664 S \* 10/2006 Wingerter et al. .... D13/107  
D530,666 S \* 10/2006 Krieger et al. .... D13/107

(Continued)

*Primary Examiner* — Rosemary K Tarcza

(74) *Attorney, Agent, or Firm* — Tarter Krinsky & Drogin LLP

(57) **CLAIM**

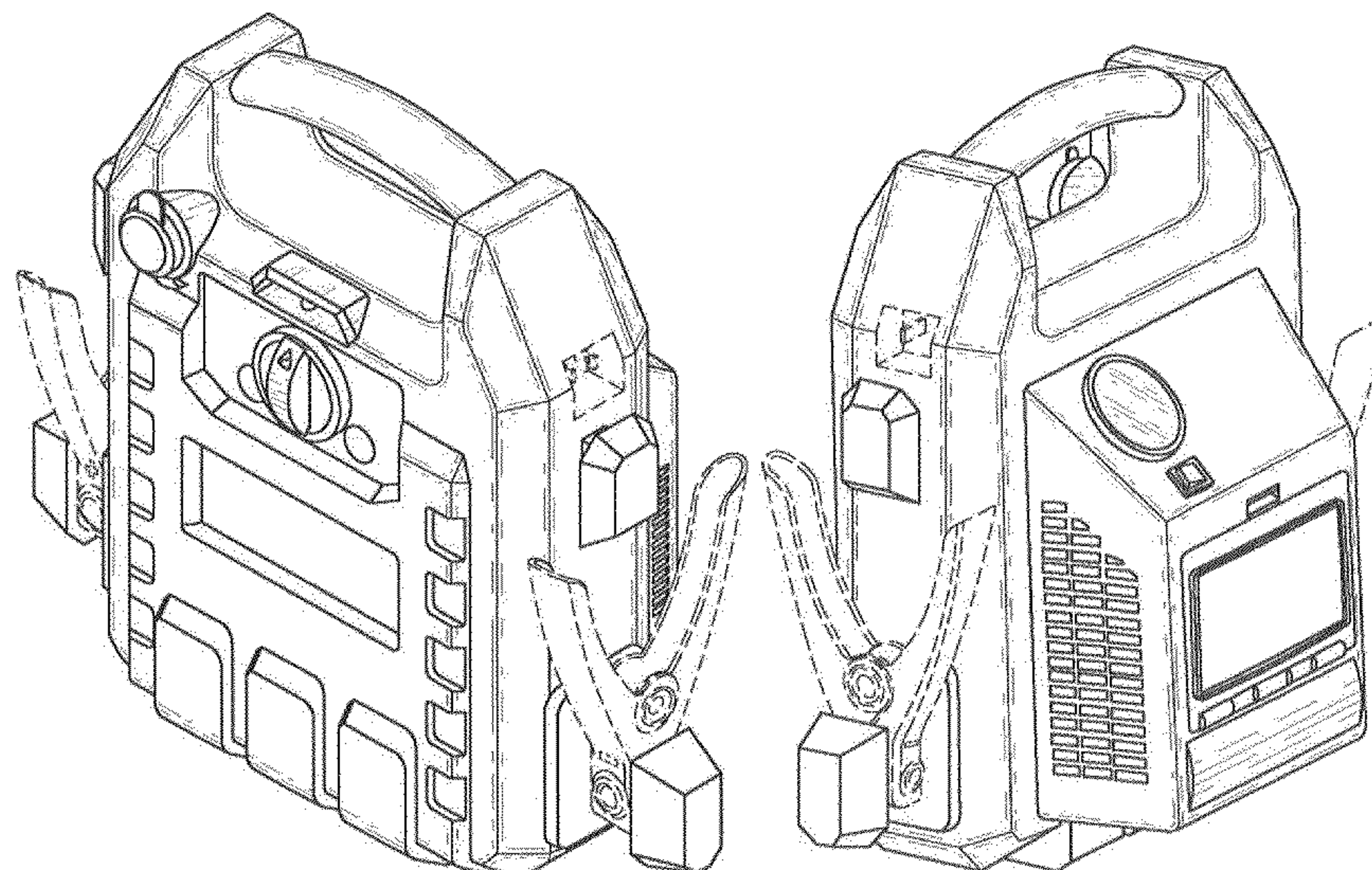
The ornamental design for a battery starter, as shown and described.

**DESCRIPTION**

FIG. 1 is a front view of a first embodiment of a battery starter; FIG. 2 is a rear view thereof; FIG. 3 is a right view thereof; FIG. 4 is a left view thereof; FIG. 5 is a top view thereof; FIG. 6 is a bottom view thereof; FIG. 7 is a front perspective view thereof; FIG. 8 is a rear perspective view thereof; FIG. 9 is a front view of a second embodiment of a battery starter; FIG. 10 is a rear view thereof; FIG. 11 is a right view thereof; FIG. 12 is a left view thereof; FIG. 13 is a top view thereof; FIG. 14 is a bottom view thereof; FIG. 15 is a front perspective view thereof; and, FIG. 16 is a rear perspective view thereof.

The phantom lines shown in the drawings are for illustrative purposes only and form no part of the claimed design.

**1 Claim, 8 Drawing Sheets**



(56)

**References Cited**

U.S. PATENT DOCUMENTS

D549,644 S \* 8/2007 Hulden ..... D13/107  
D594,406 S \* 6/2009 Ellsworth ..... D13/107  
D595,222 S \* 6/2009 Ellsworth ..... D13/107  
D601,495 S \* 10/2009 Shum et al. .... D13/107  
D601,496 S \* 10/2009 Shum et al. .... D13/107

D609,633 S \* 2/2010 Daniels et al. .... D13/107  
D609,635 S \* 2/2010 Daniels et al. .... D13/107  
D635,510 S \* 4/2011 Inskeep ..... D13/107  
D653,612 S \* 2/2012 Dumelle et al. .... D13/107  
D654,863 S \* 2/2012 Whiting et al. .... D13/107  
D654,864 S \* 2/2012 Whiting et al. .... D13/107  
D654,865 S \* 2/2012 DuMelle et al. .... D13/107  
D684,116 S \* 6/2013 Inskeep ..... D13/107

\* cited by examiner



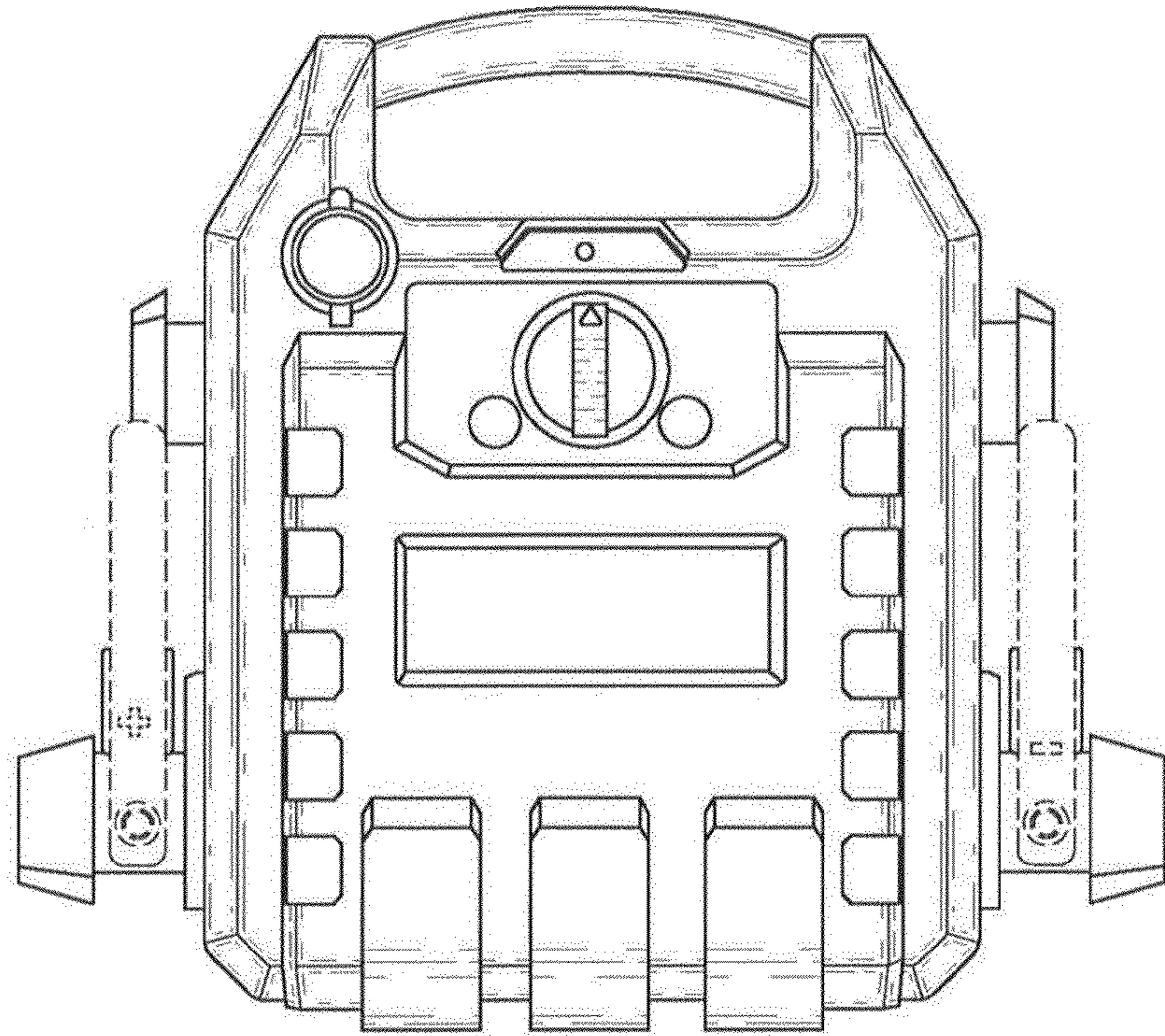


FIG. 1

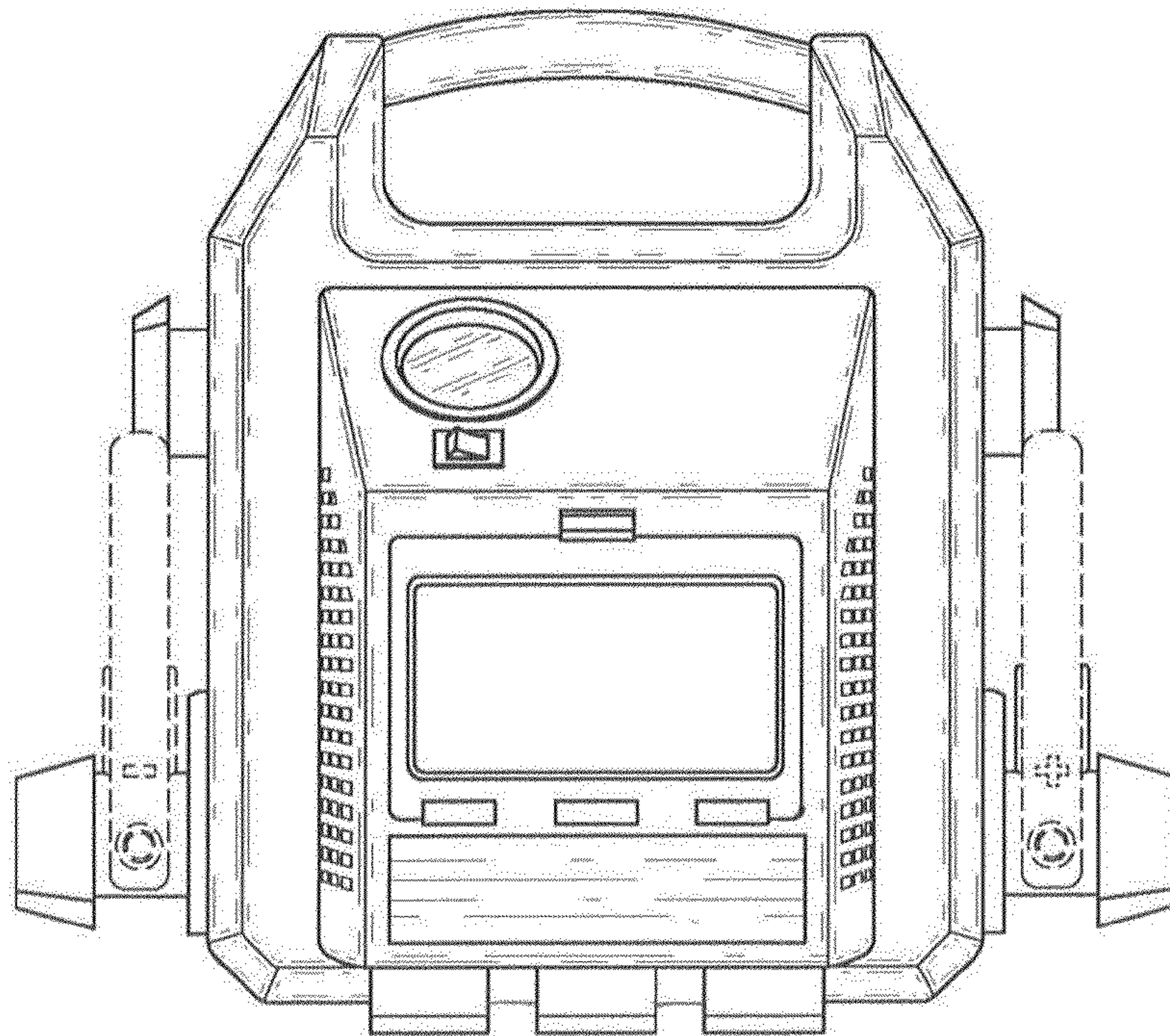


FIG. 2



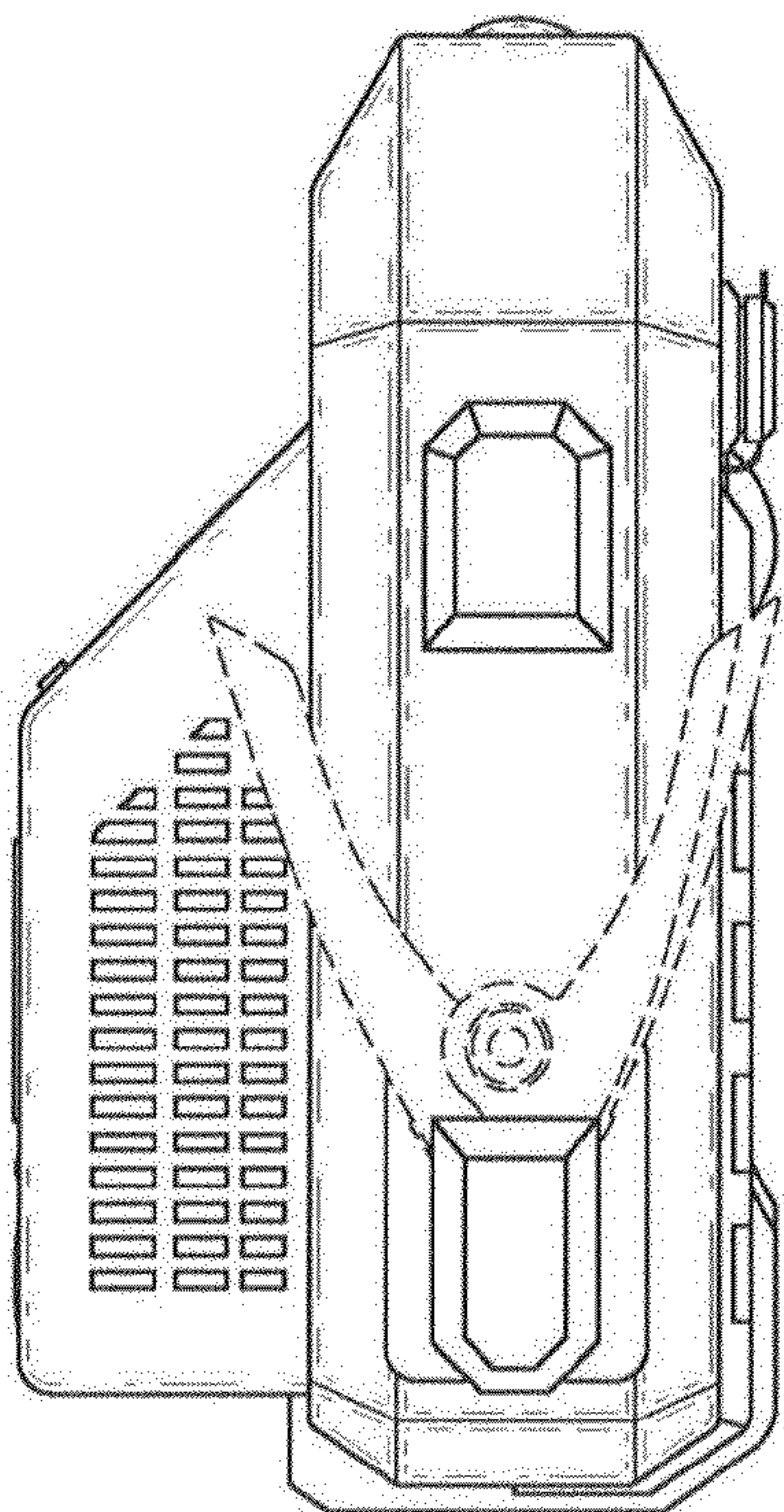


FIG. 3

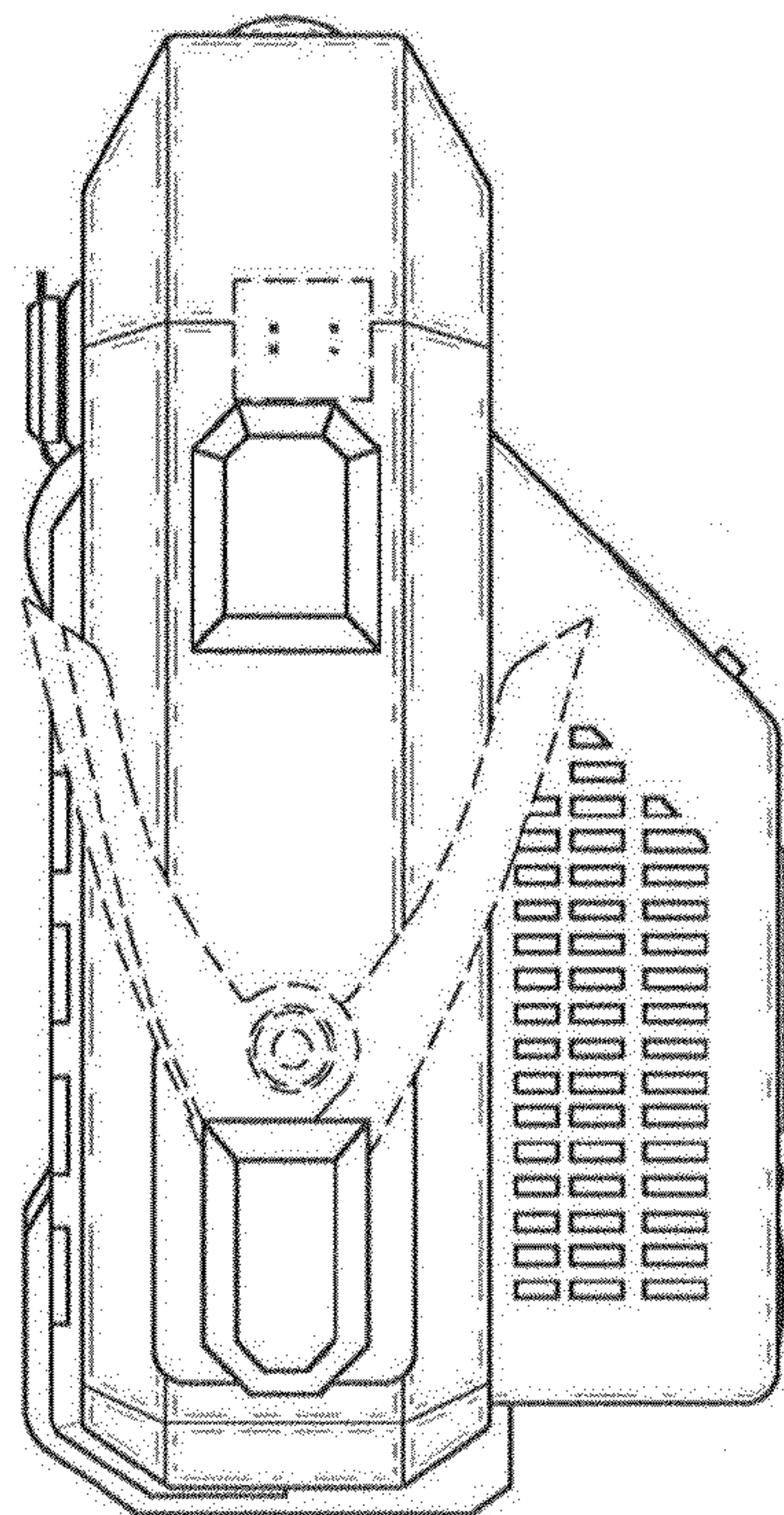


FIG. 4

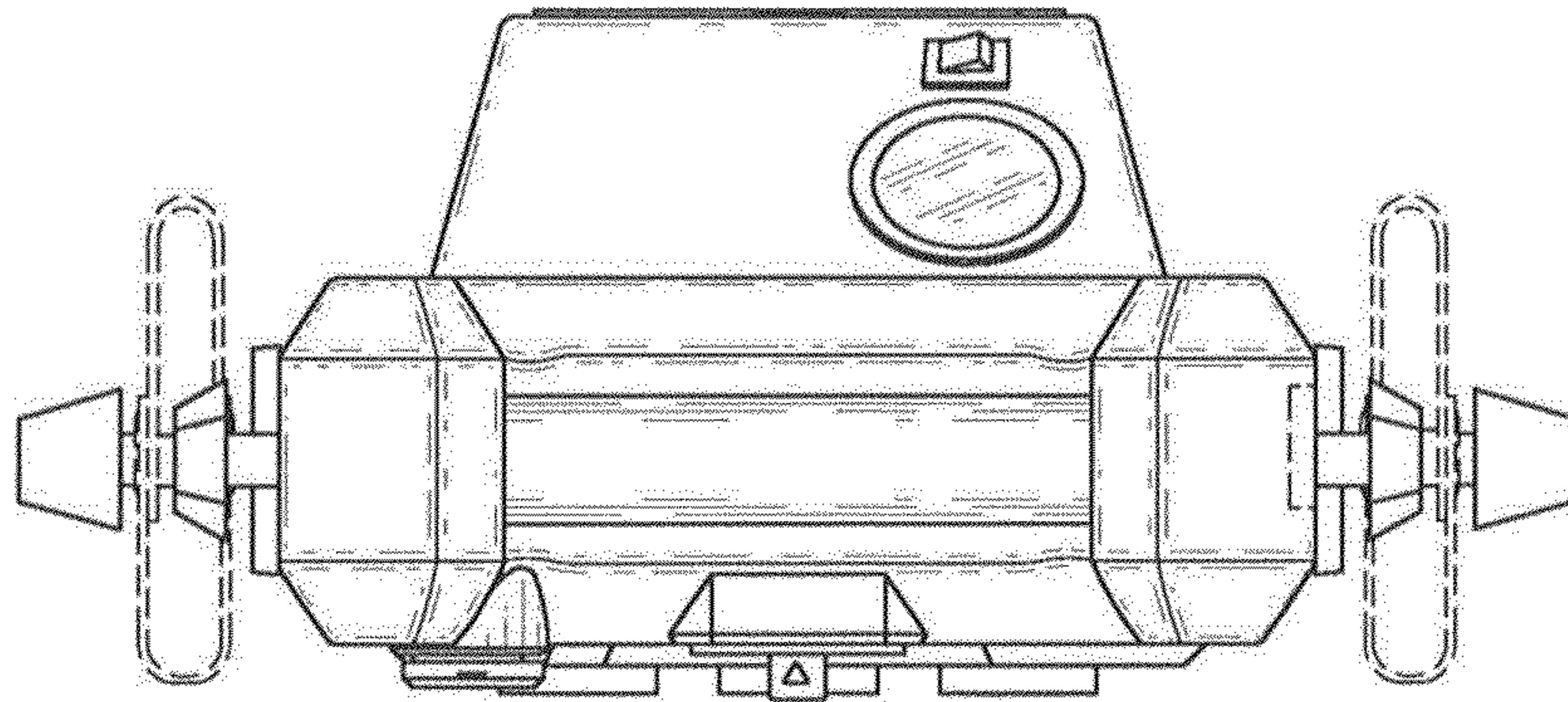


FIG. 5

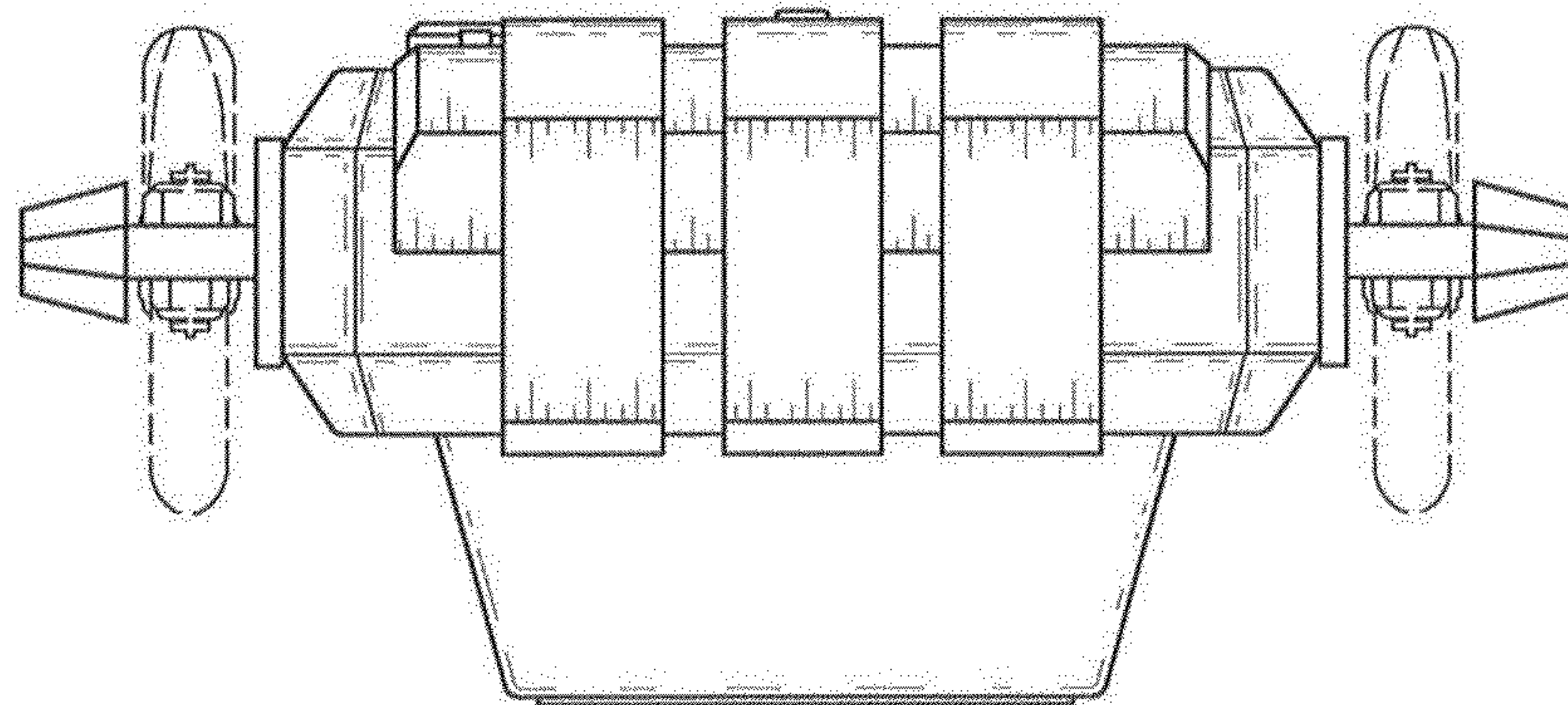


FIG. 6



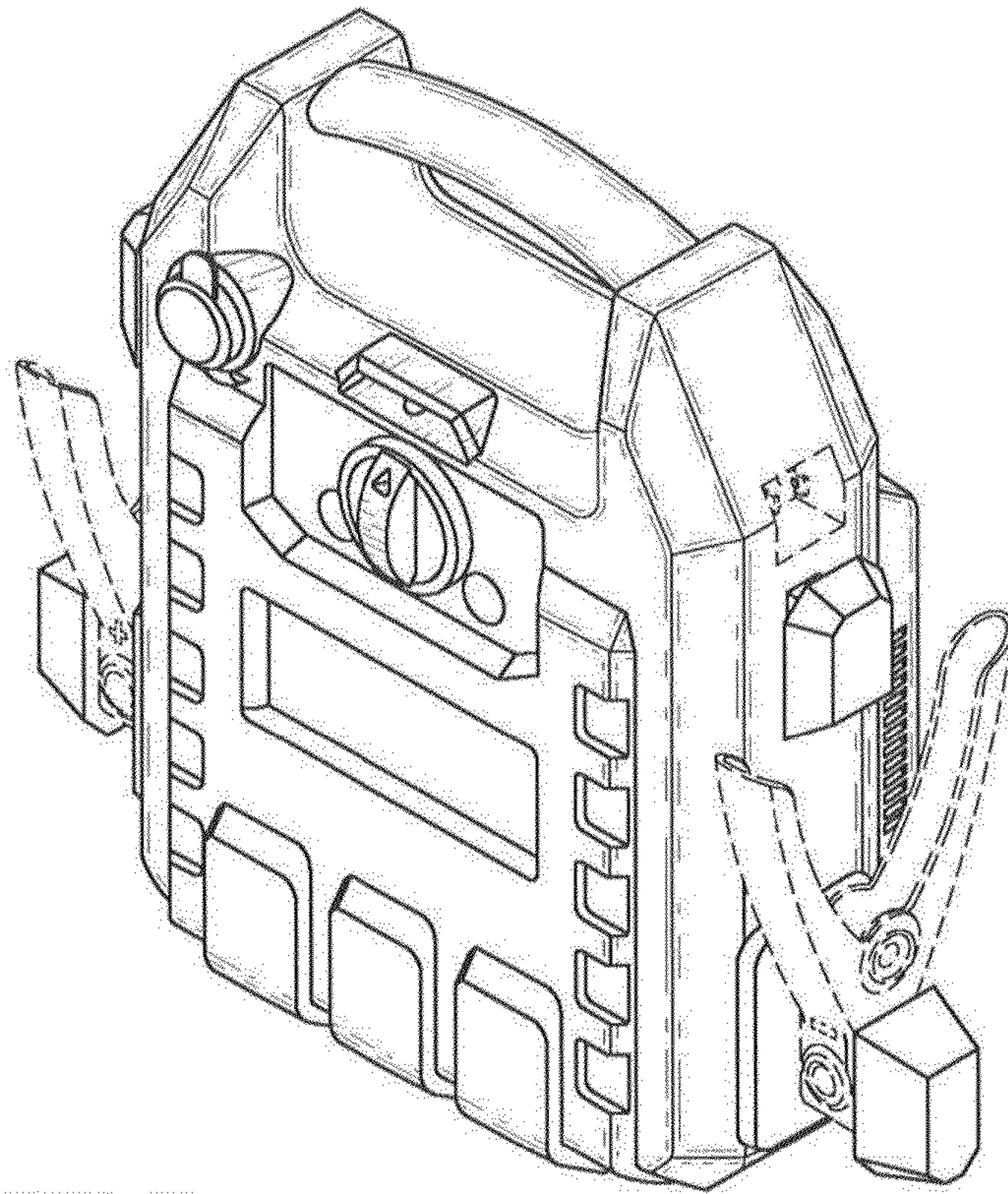


FIG. 7

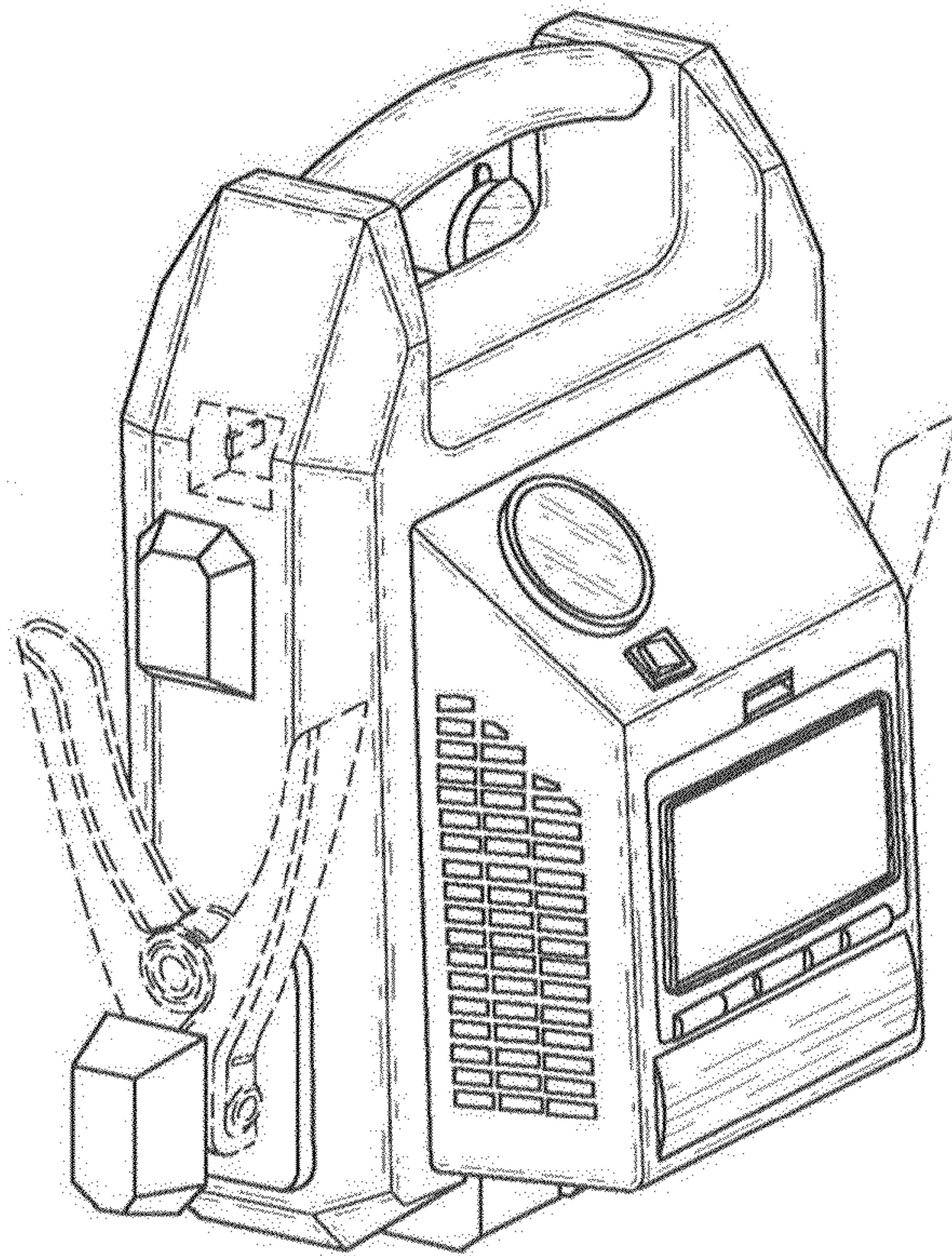


FIG. 8



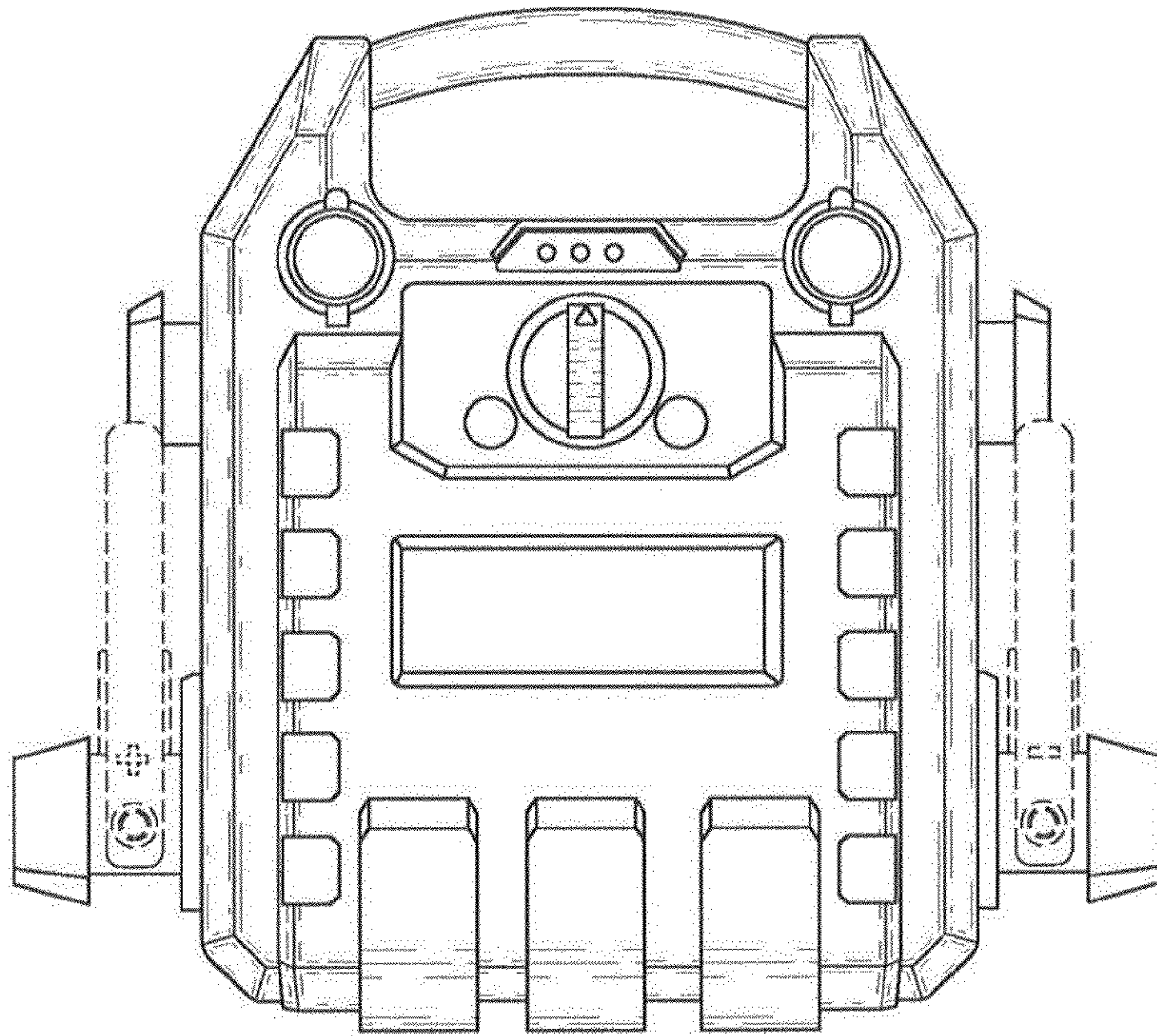


FIG. 9

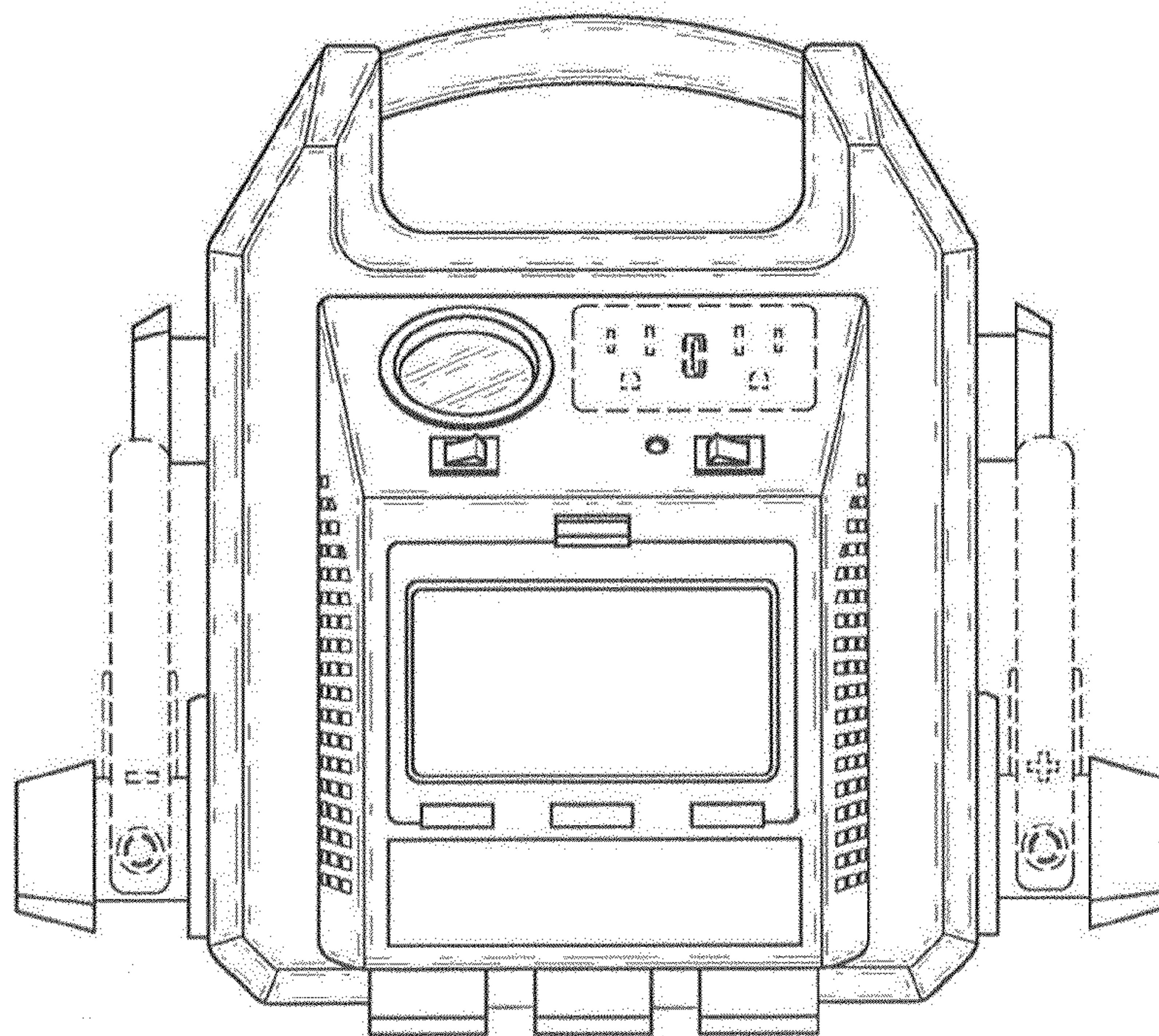


FIG. 10



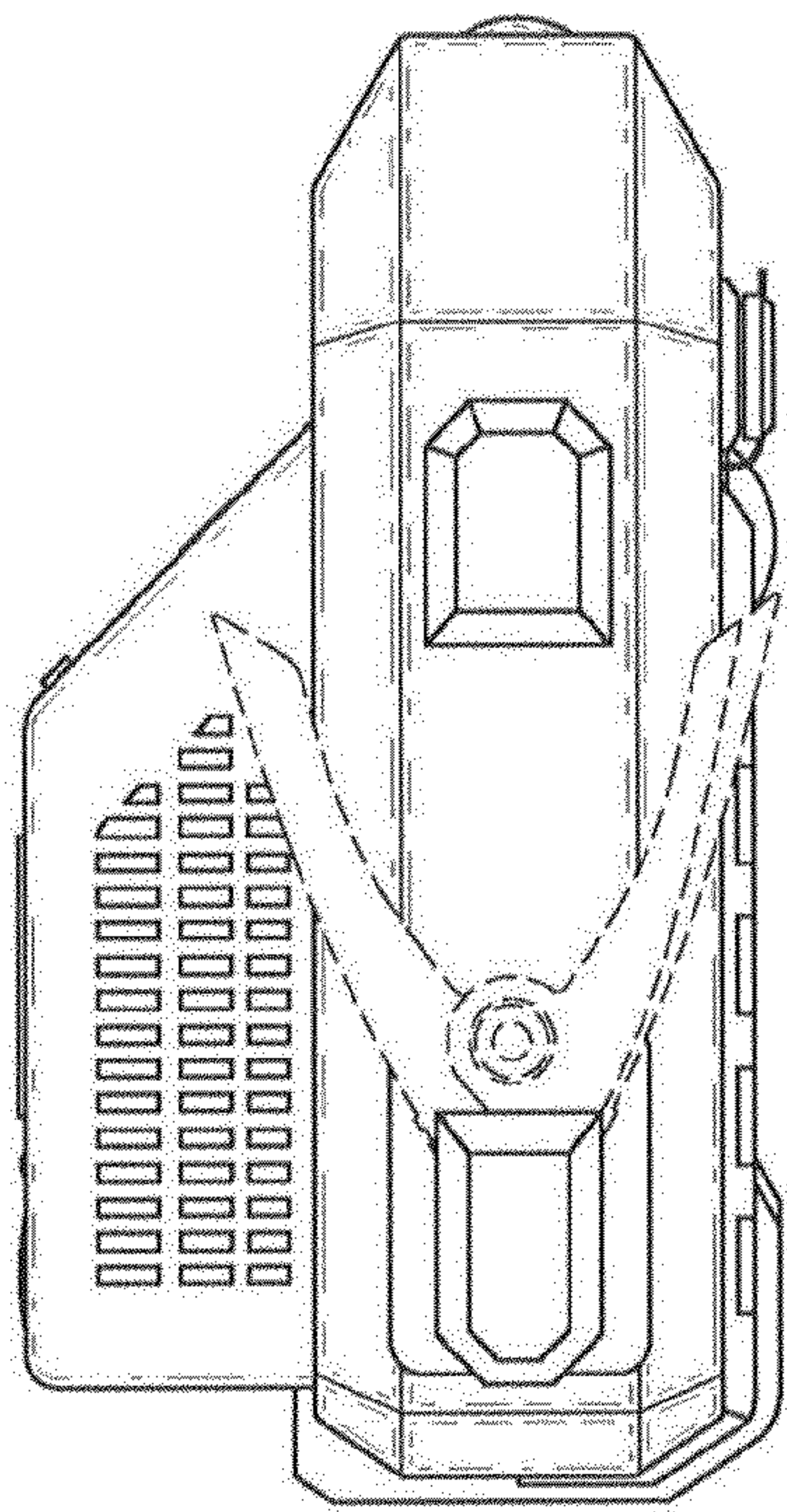


FIG. 11

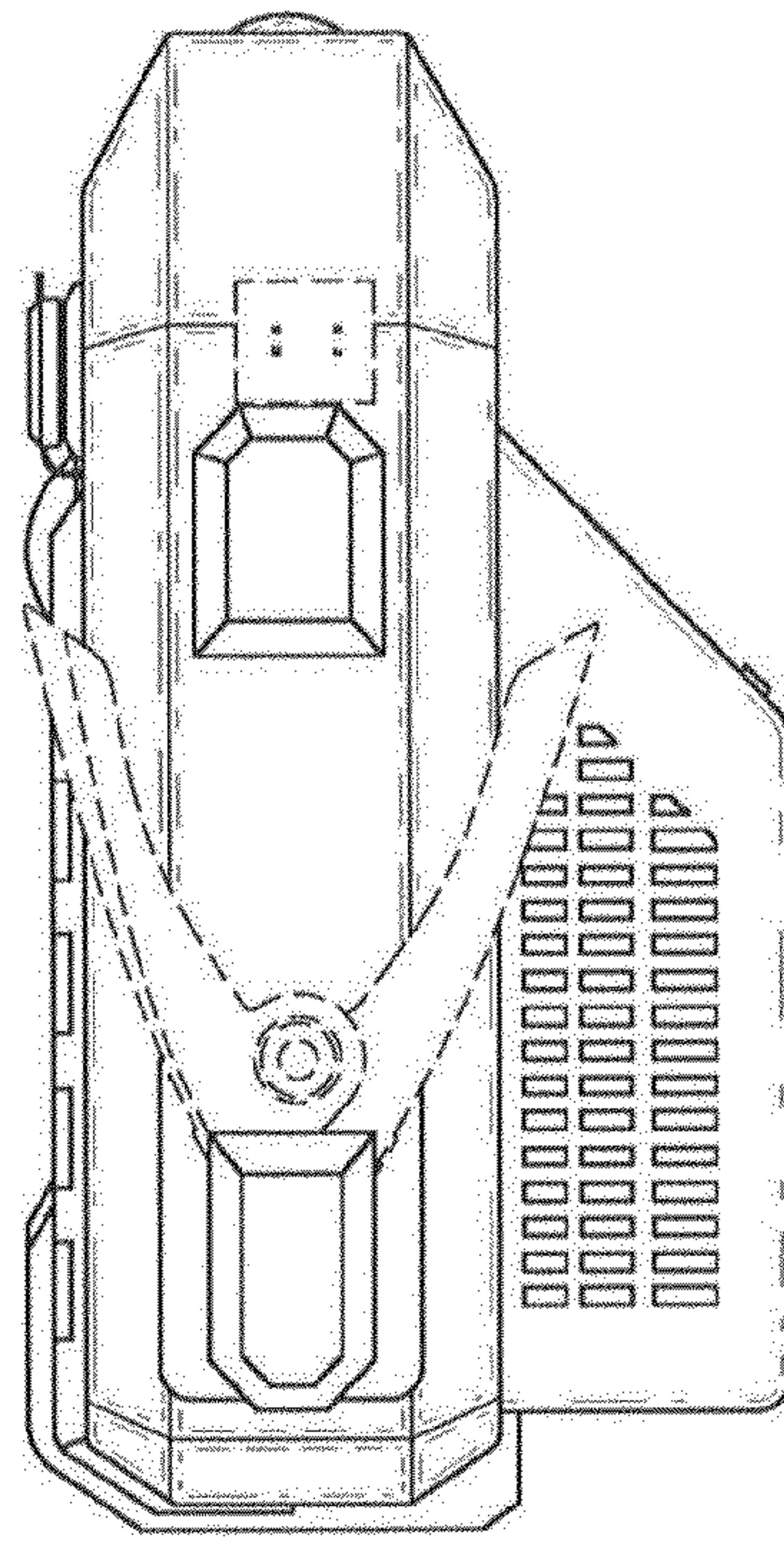


FIG. 12



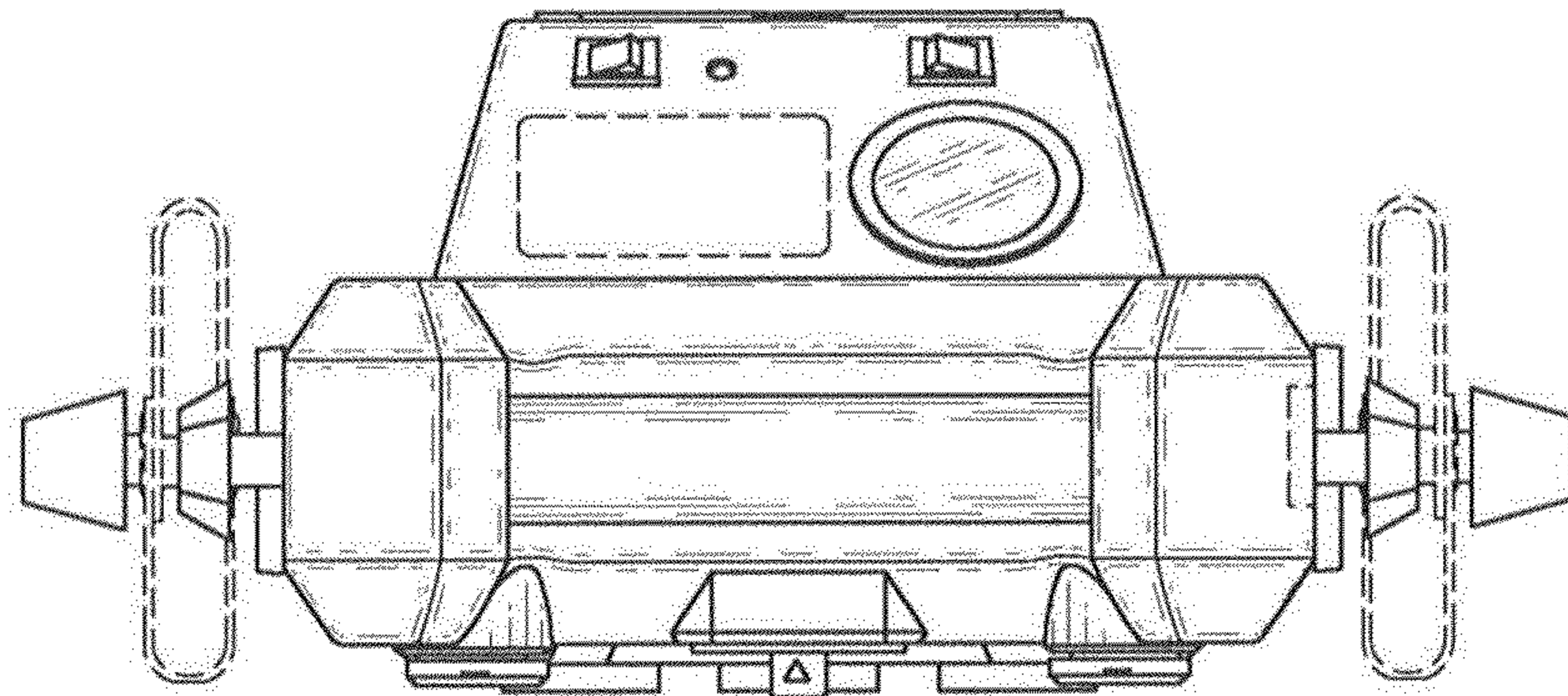


FIG. 13

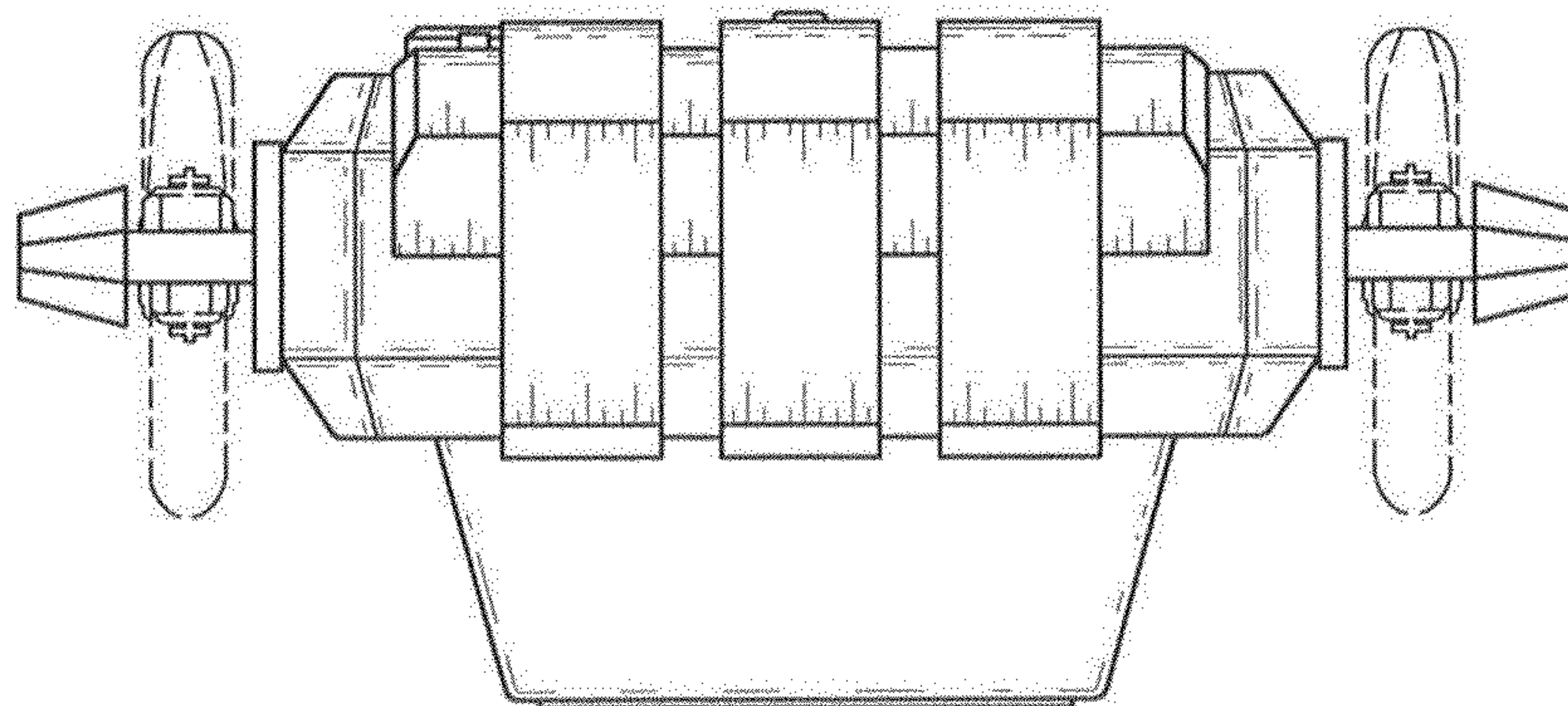


FIG. 14



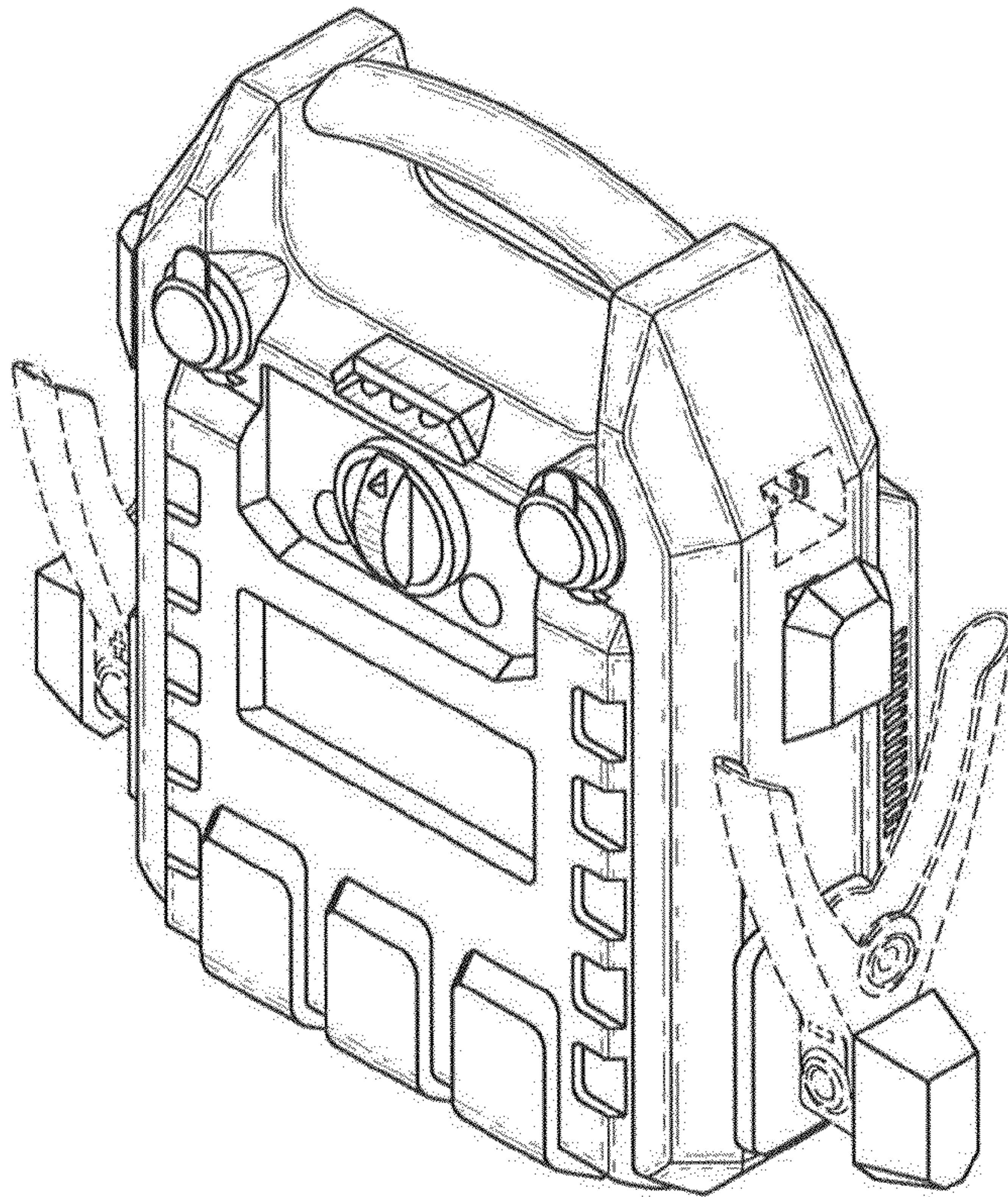


FIG. 15

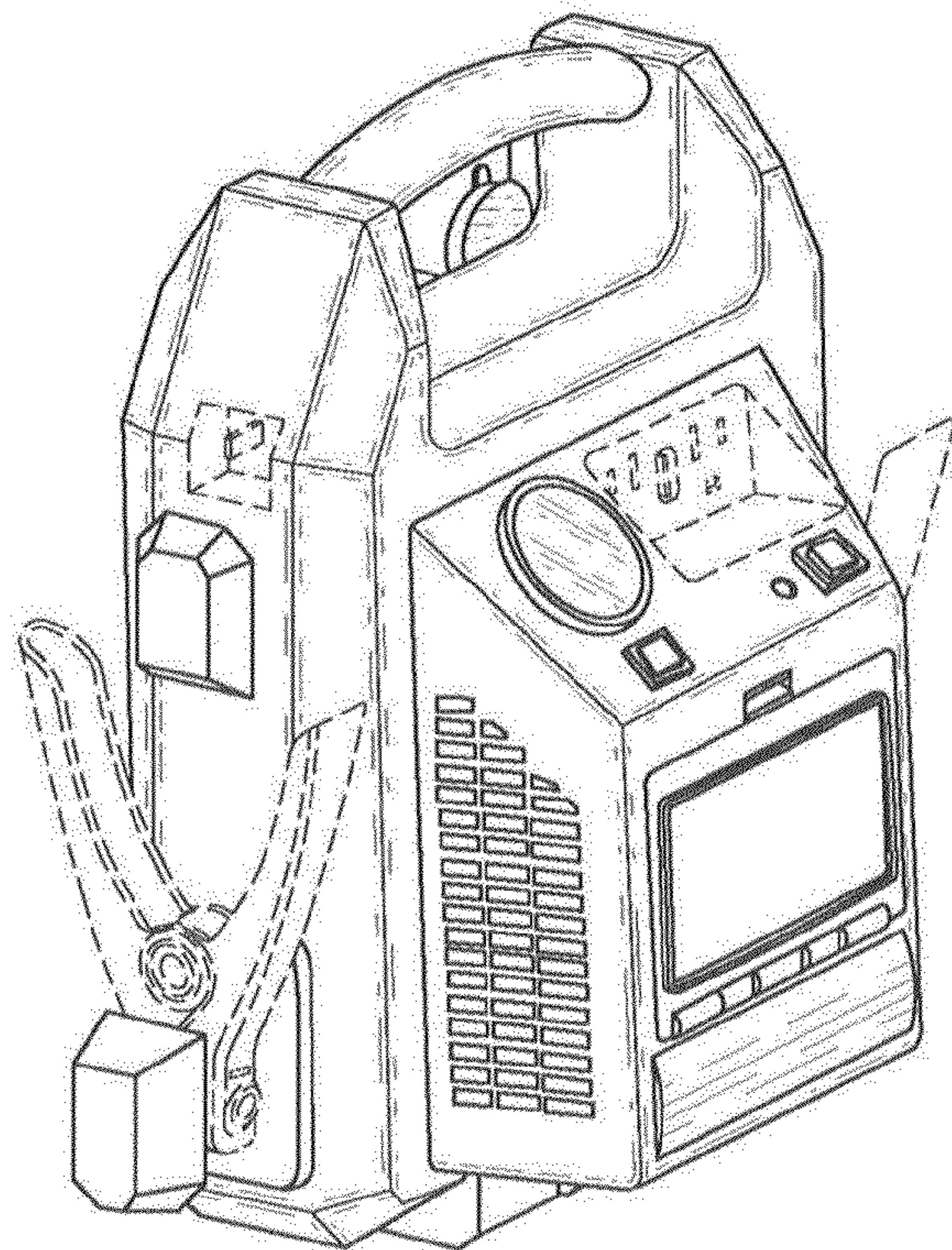


FIG. 16