



US00D742307S

(12) **United States Design Patent**
DeKeuster et al.

(10) **Patent No.:** **US D742,307 S**

(45) **Date of Patent:** **** Nov. 3, 2015**

(54) **BATTERY MODULE**

(71) Applicant: **Johnson Controls Technology LLC**,
Wilmington, DE (US)

(72) Inventors: **Richard M. DeKeuster**, Racine, WI
(US); **Edward J. Soleski**, Mequon, WI
(US)

(73) Assignee: **Johnson Controls Technology LLC**,
Wilmington, DE (US)

(**) Term: **14 Years**

(21) Appl. No.: **29/466,355**

(22) Filed: **Sep. 6, 2013**

(51) **LOC (10) Cl.** **13-02**

(52) **U.S. Cl.**
USPC **D13/103**

(58) **Field of Classification Search**
USPC D13/102–106, 110, 118–121, 184, 199;
429/96–100, 159, 163, 176, 178, 187
See application file for complete search history.

(56) **References Cited**

U.S. PATENT DOCUMENTS

D289,995 S *	5/1987	Armiger	D15/144
D336,074 S *	6/1993	Friend et al.	D13/184
D351,134 S *	10/1994	Hunziker	D13/110
D378,081 S *	2/1997	Antonczak et al.	D13/184
D517,479 S *	3/2006	Schemm	D13/119
D517,987 S *	3/2006	Castagnola et al.	D13/119
D527,344 S *	8/2006	Rajpara et al.	D13/119
D592,134 S *	5/2009	Brockington	D13/119
D623,127 S *	9/2010	Seyama et al.	D13/104

D635,508 S *	4/2011	Seyama et al.	D13/104
D643,810 S *	8/2011	Qualls et al.	D13/106
D643,811 S *	8/2011	Qualls et al.	D13/106
D658,579 S *	5/2012	Miyawaki et al.	D13/104
D659,088 S *	5/2012	Steinberg	D13/106

* cited by examiner

Primary Examiner — Rosemary K Tarcza

(74) *Attorney, Agent, or Firm* — Fletcher Yoder, P.C.

(57) **CLAIM**

The ornamental design for a battery module, as shown and described.

DESCRIPTION

FIG. 1 is a front top perspective view of an embodiment of the design for the battery module;

FIG. 2 is a front side elevational view of the embodiment set forth in FIG. 1;

FIG. 3 is a rear side elevational view of the embodiment set forth in FIG. 1;

FIG. 4 is a right side elevational view of the embodiment set forth in FIG. 1;

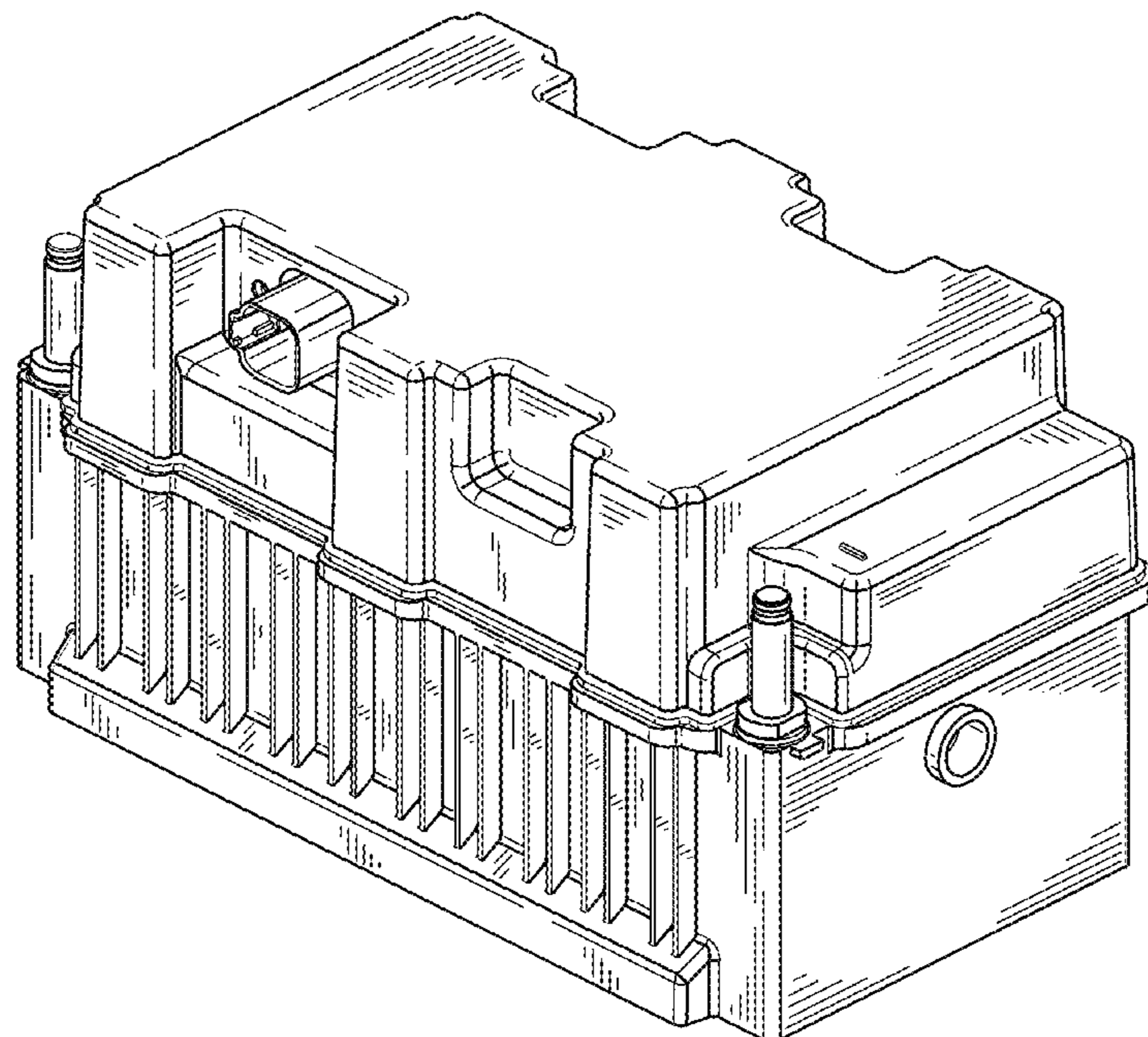
FIG. 5 is a left side elevational view of the embodiment set forth in FIG. 1;

FIG. 6 is a top plan view of the embodiment set forth in FIG. 1; and,

FIG. 7 is a bottom plan view of the embodiment set forth in FIG. 1.

In the drawings, the solid lines illustrate the claimed ornamental design, whereas the broken lines illustrate environmental features that form no part of the claimed ornamental design.

1 Claim, 6 Drawing Sheets



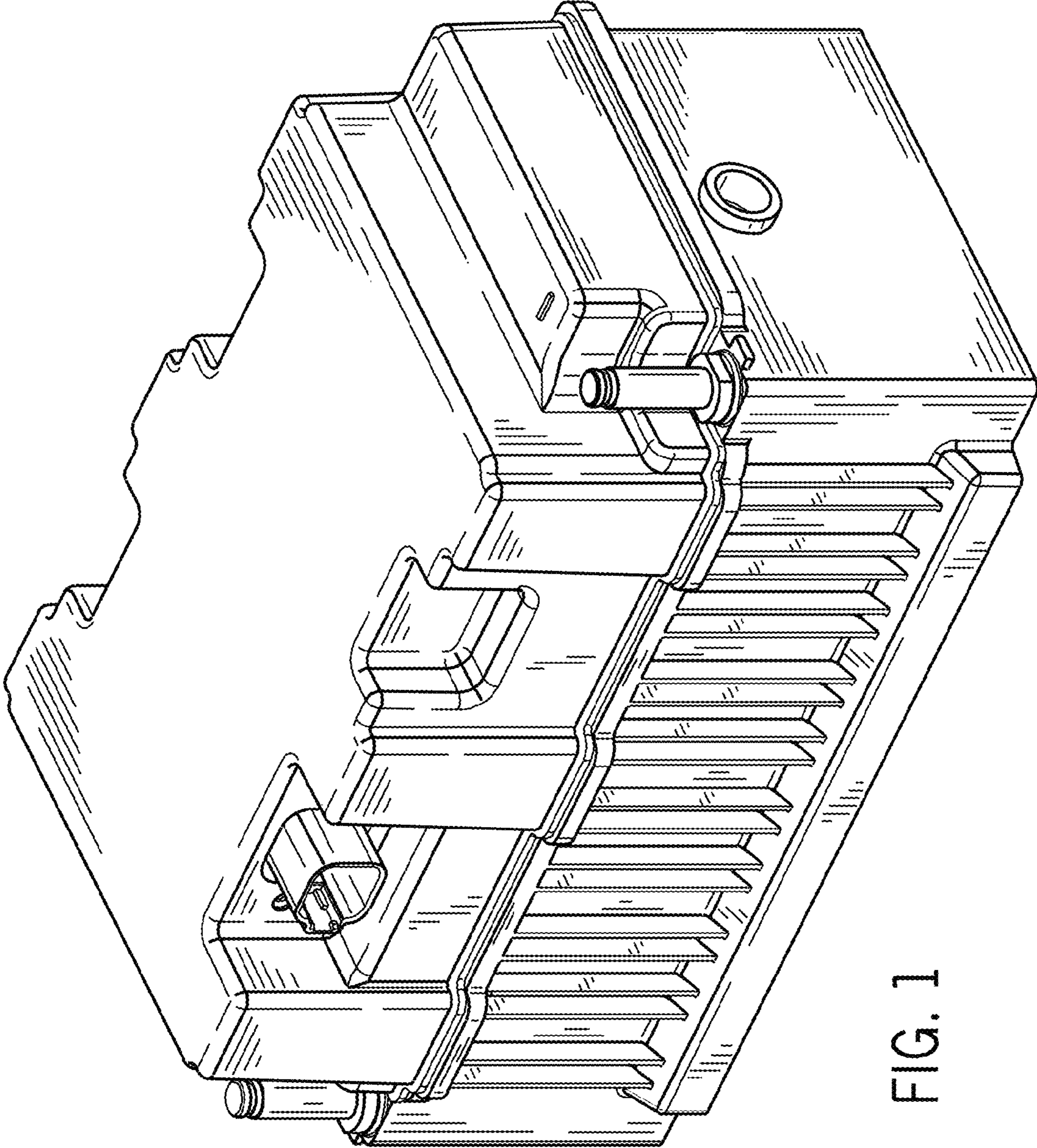


FIG. 1

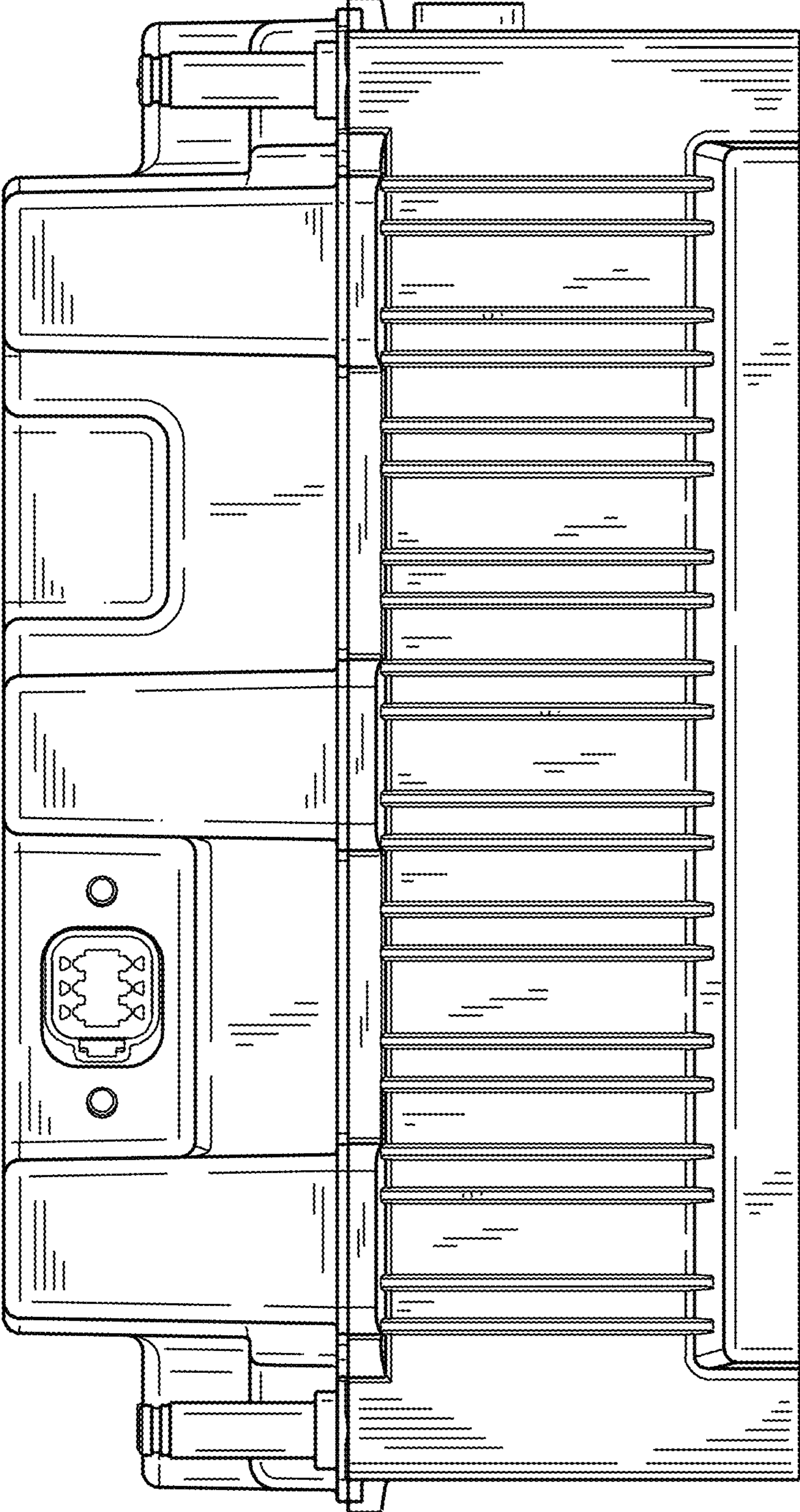


FIG. 2

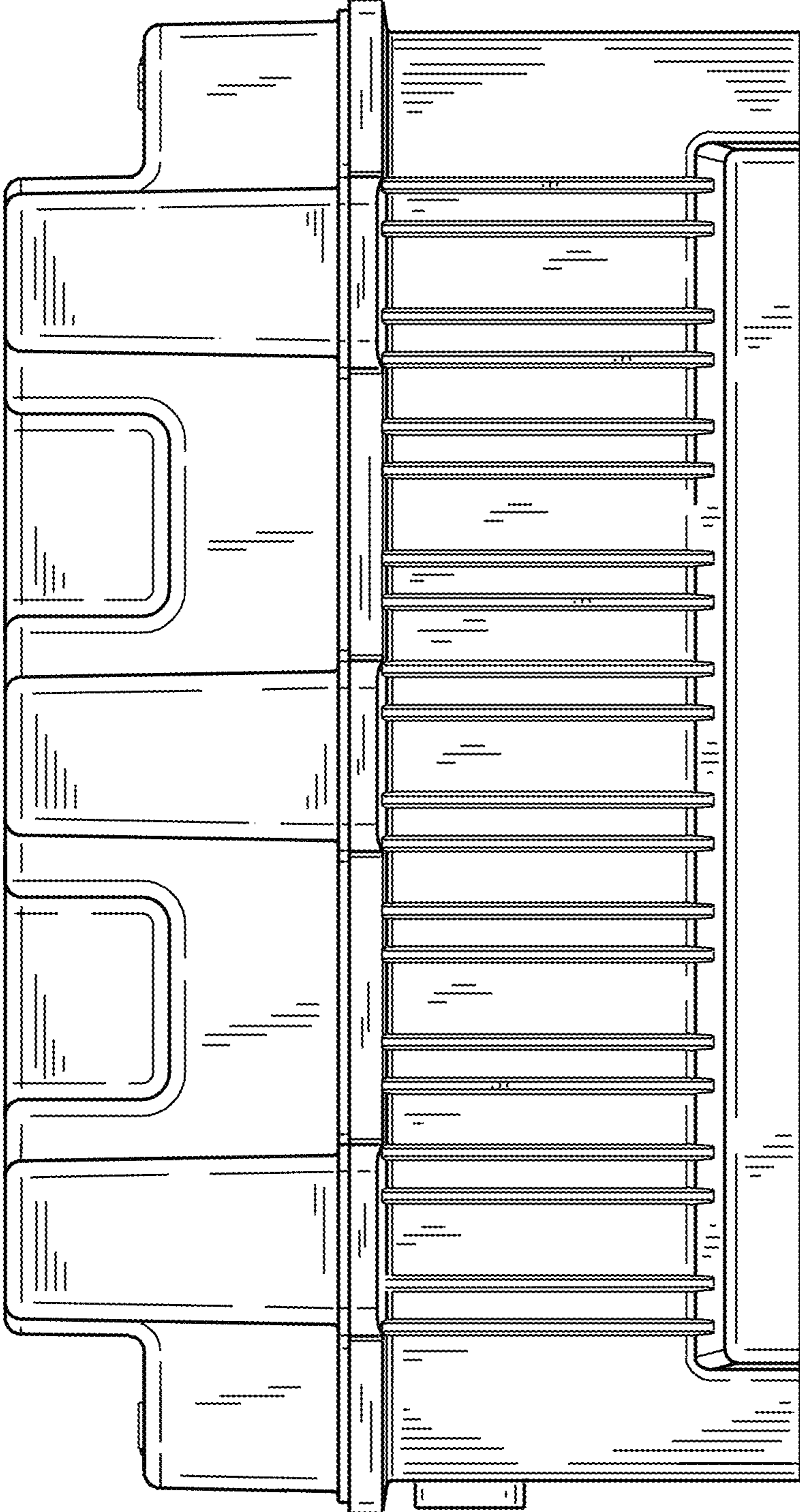


FIG. 3

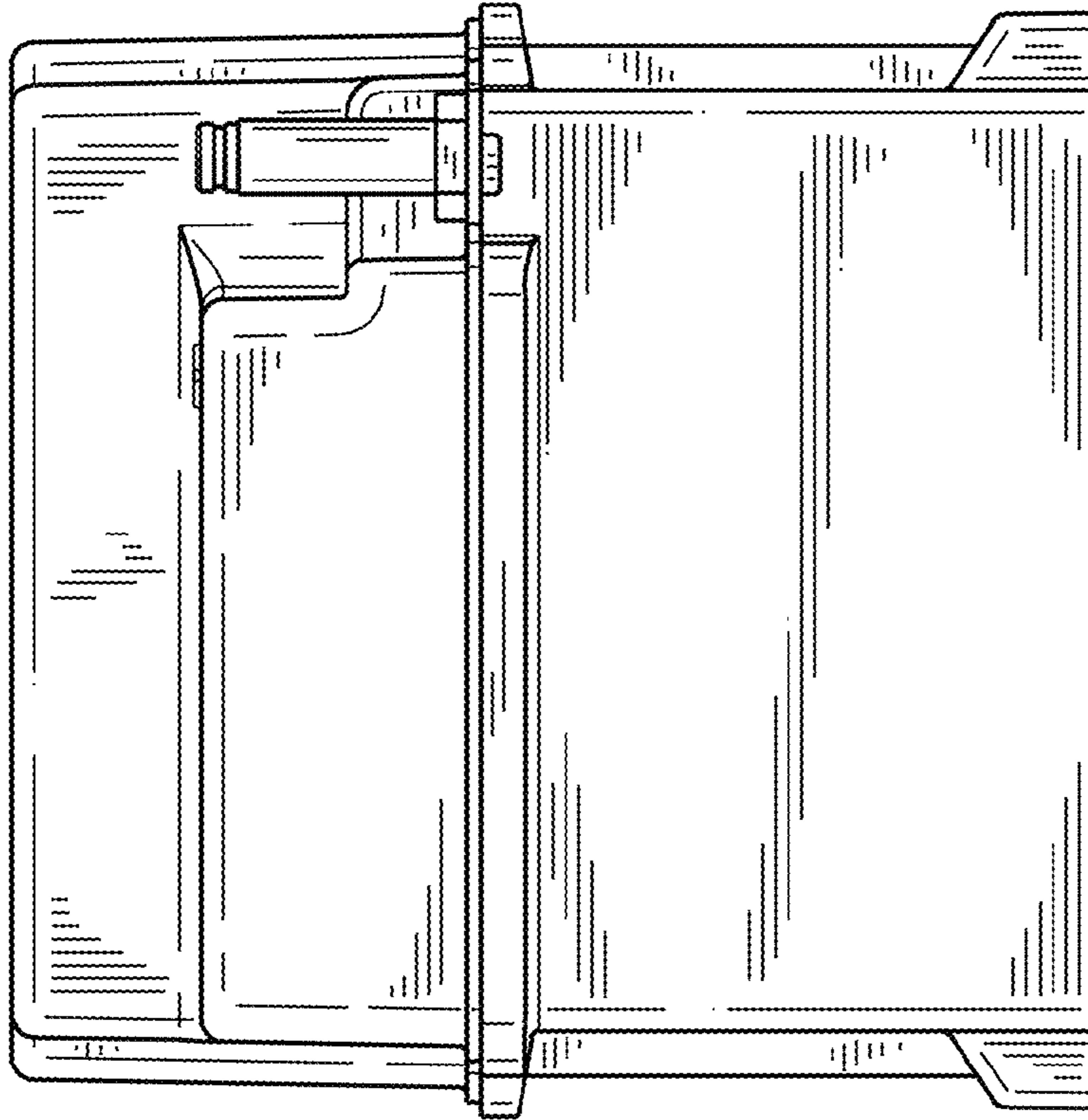


FIG. 5

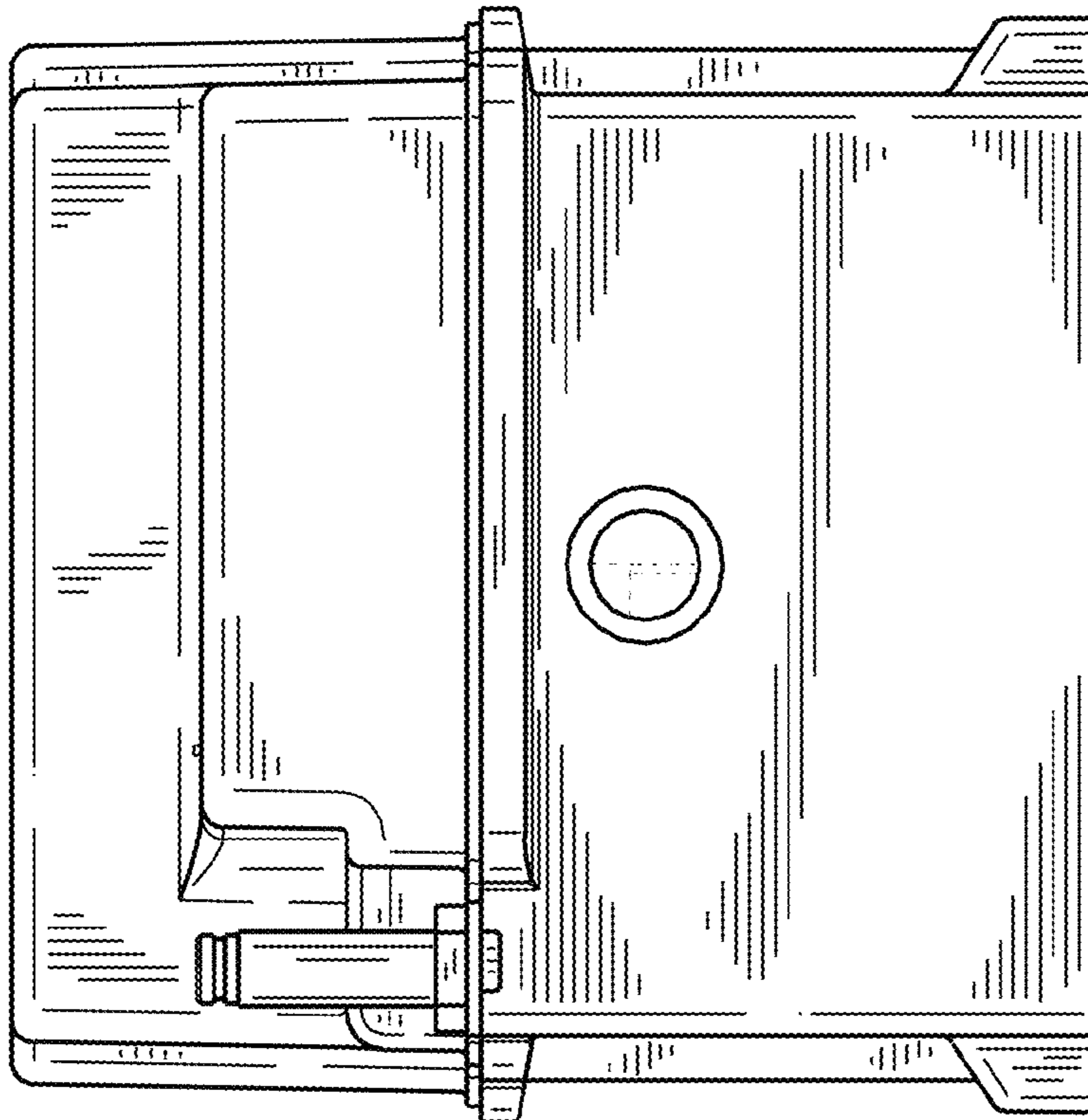


FIG. 4

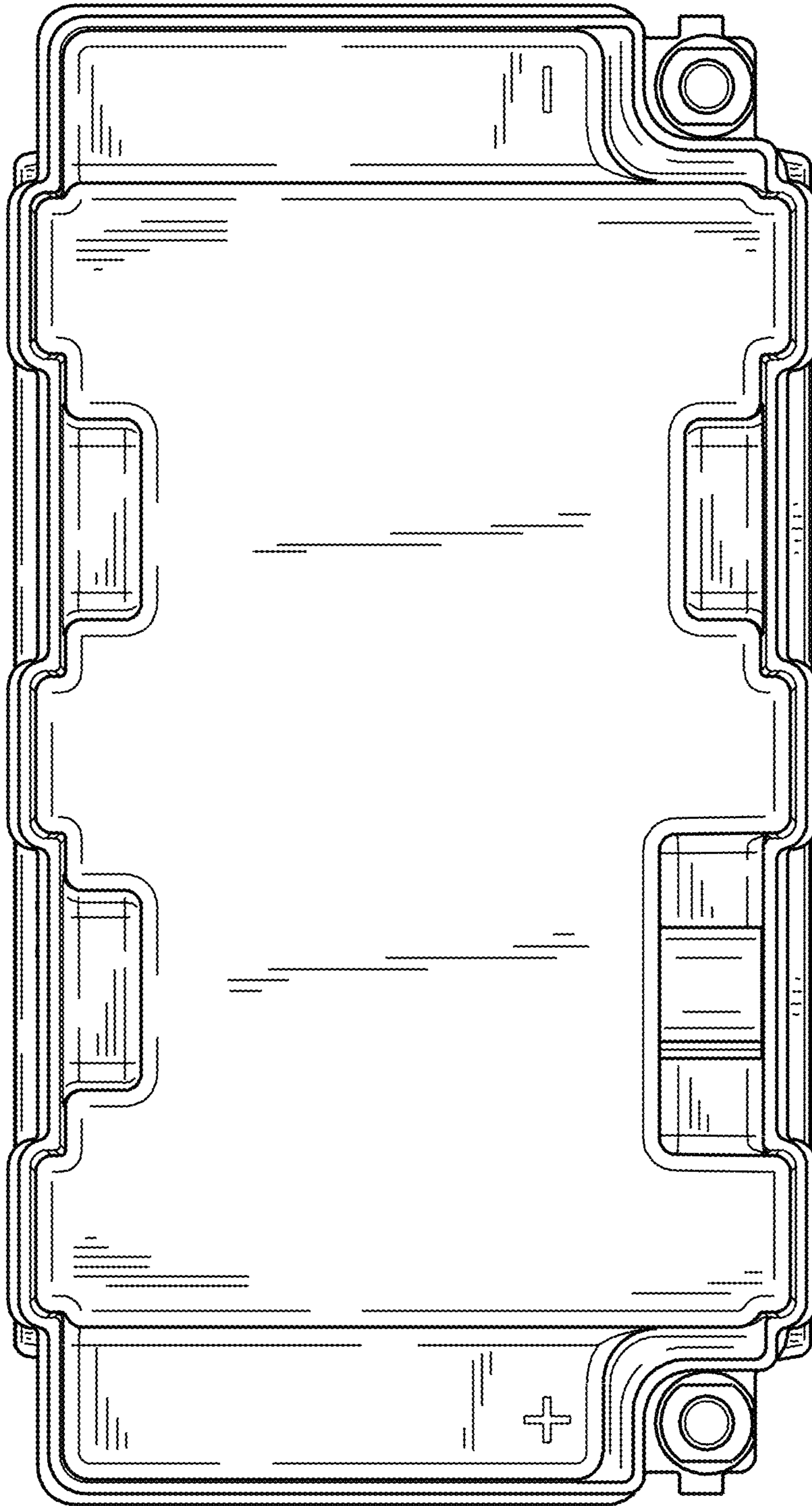


FIG. 6

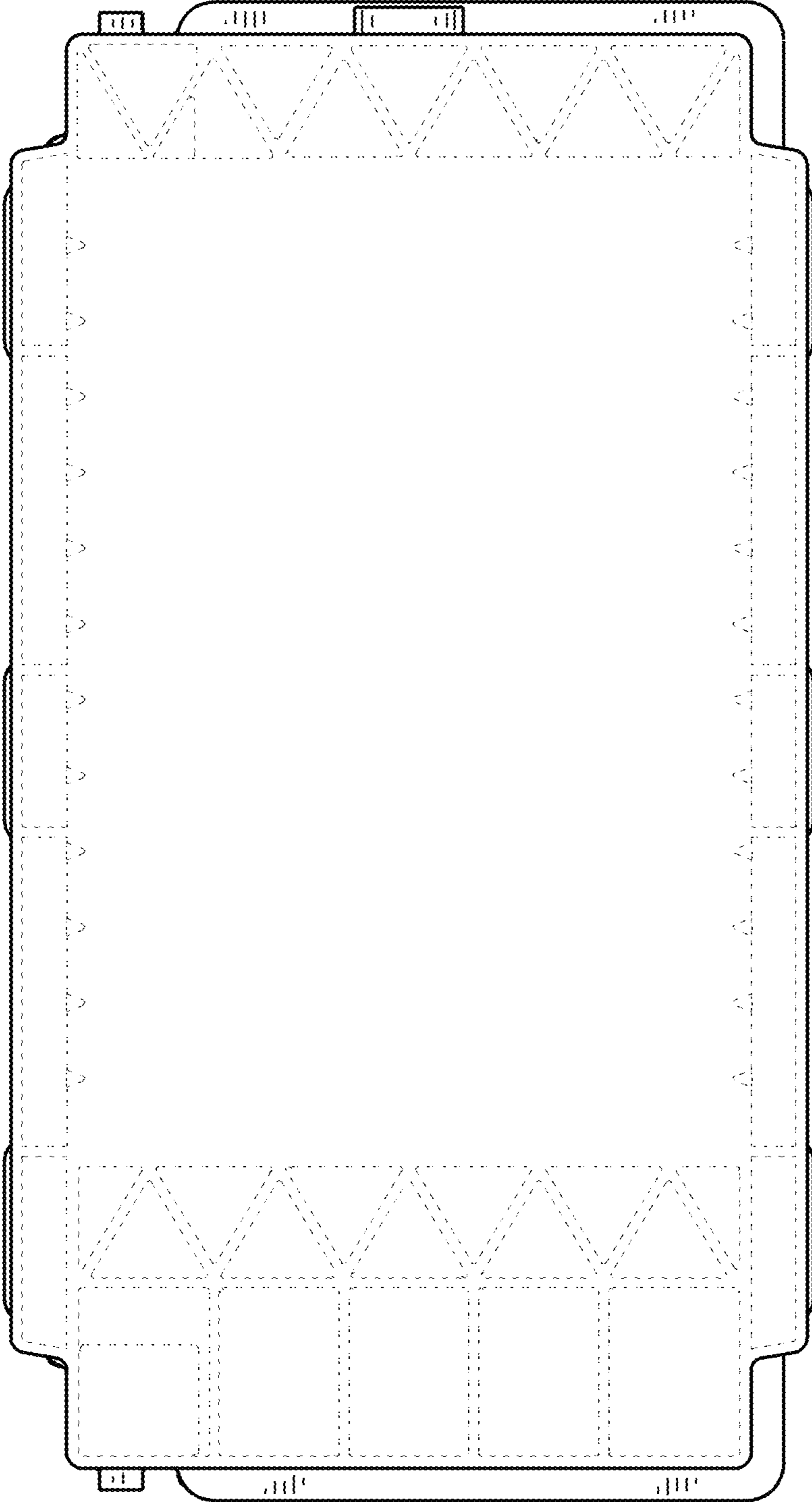


FIG. 7