



US00D742301S

(12) **United States Design Patent**
Kasparian et al.

(10) **Patent No.:** **US D742,301 S**

(45) **Date of Patent:** **** Nov. 3, 2015**

(54) **COCKPIT ARMREST**

Primary Examiner — Katrina A Betton

(71) Applicant: **Gulfstream Aerospace Corporation**,
Savannah, GA (US)

(74) *Attorney, Agent, or Firm* — Ingrassia, Fisher & Lorenz,
PC

(72) Inventors: **Aram Kasparian**, Savannah, GA (US);
Andrew Fulford, Northville, MI (US);
Mathieu Roy, Savannah, GA (US)

(57) **CLAIM**

The ornamental design for a cockpit armrest, as shown and described.

(73) Assignee: **Gulfstream Aerospace Corporation**,
Savannah, GA (US)

(**) Term: **14 Years**

DESCRIPTION

(21) Appl. No.: **29/506,129**

(22) Filed: **Oct. 13, 2014**

(51) **LOC (10) Cl.** **12-16**

(52) **U.S. Cl.**

USPC **D12/421**

(58) **Field of Classification Search**

USPC D12/421, 415, 416, 419

See application file for complete search history.

The patent or application file contains a least one drawing executed in color. Copies of this patent or patent application publication with color drawing(s) will be provided by the Office upon request and payment of the necessary fee.

FIG. 1 is a front perspective view of a cockpit armrest showing our new design;

FIG. 2 is a front view thereof;

FIG. 3 is a back view thereof;

FIG. 4 is a first side view thereof;

FIG. 5 is a second side view thereof;

FIG. 6 is a top view thereof;

FIG. 7 is a bottom view thereof; and,

FIG. 8 is a front perspective view thereof in a ledge of a cockpit.

The broken lines illustrate structure and environment that form no part of the claimed design.

(56) **References Cited**

U.S. PATENT DOCUMENTS

D305,048 S * 12/1989 Moomaw D21/477

D317,950 S * 7/1991 Tse D14/413

D444,149 S * 6/2001 Miller et al. D14/412

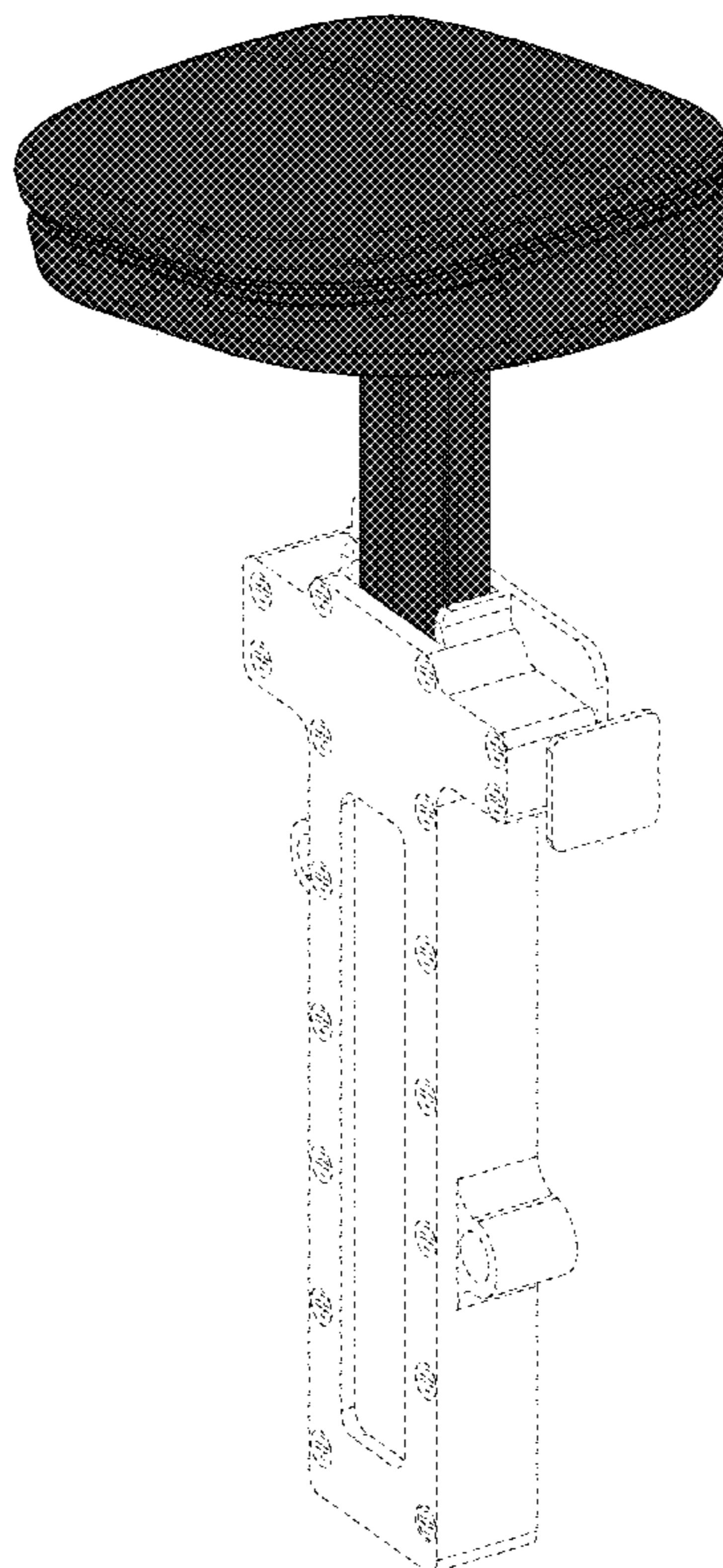
D508,052 S * 8/2005 Kit et al. D14/413

2014/0175220 A1 * 6/2014 Durand et al. 244/118.5

2014/0175222 A1 * 6/2014 Zaneboni et al. 244/118.6

* cited by examiner

1 Claim, 7 Drawing Sheets
(7 of 7 Drawing Sheet(s) Filed in Color)



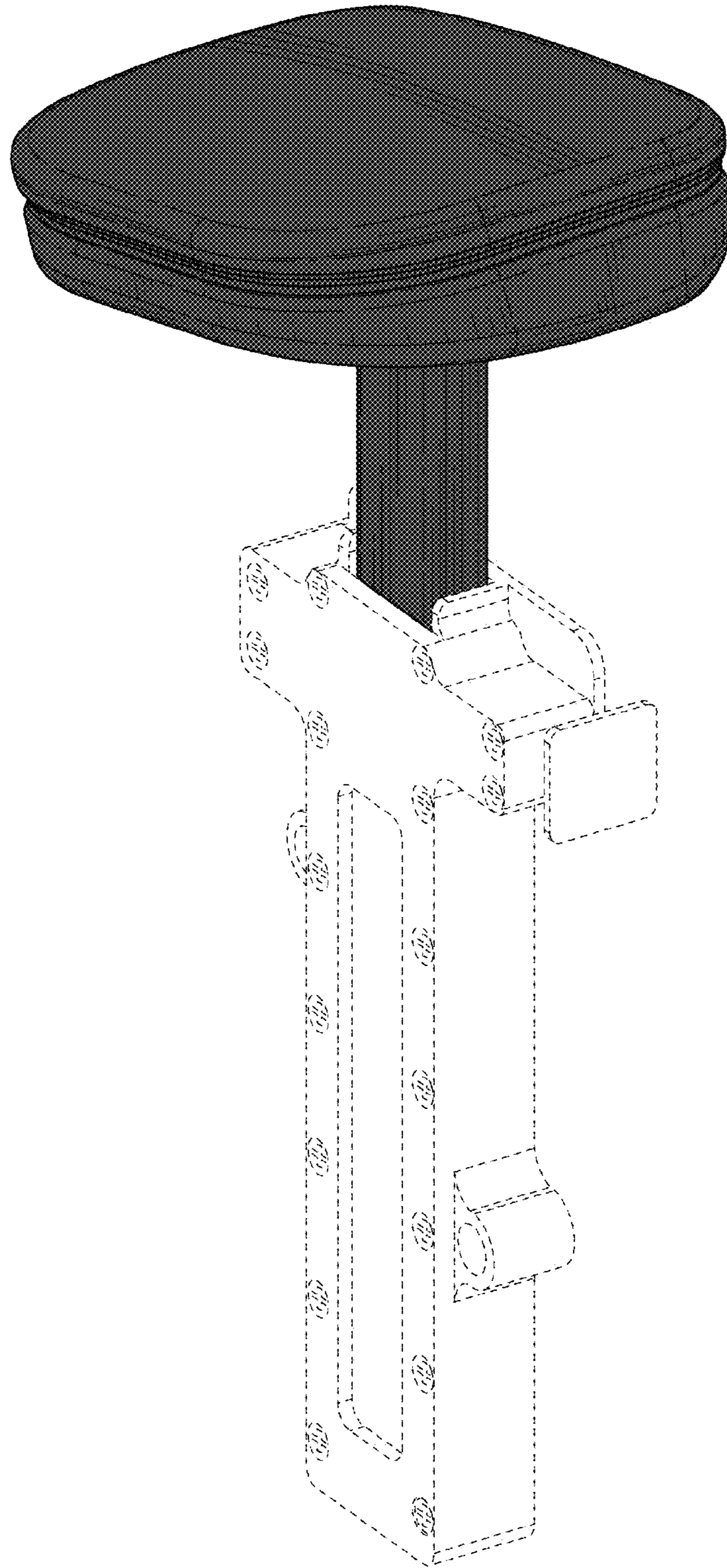


FIG. 1

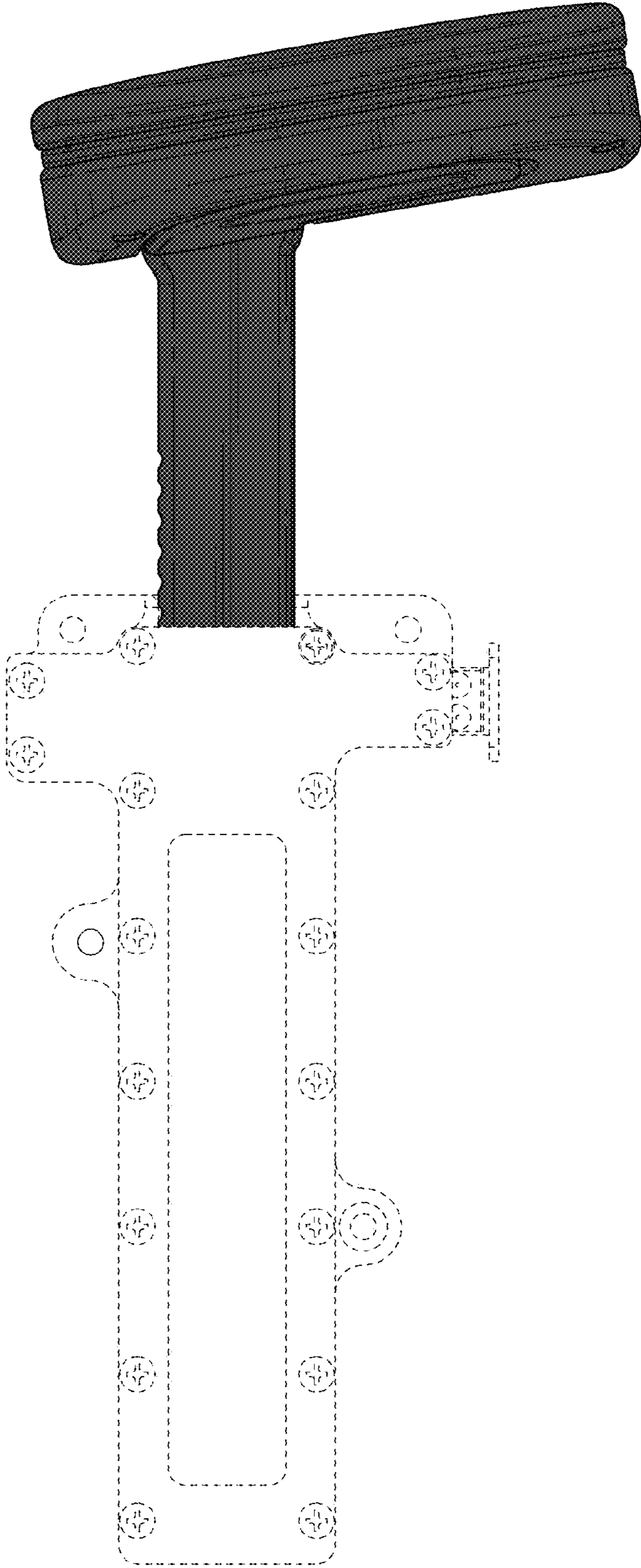


FIG. 2

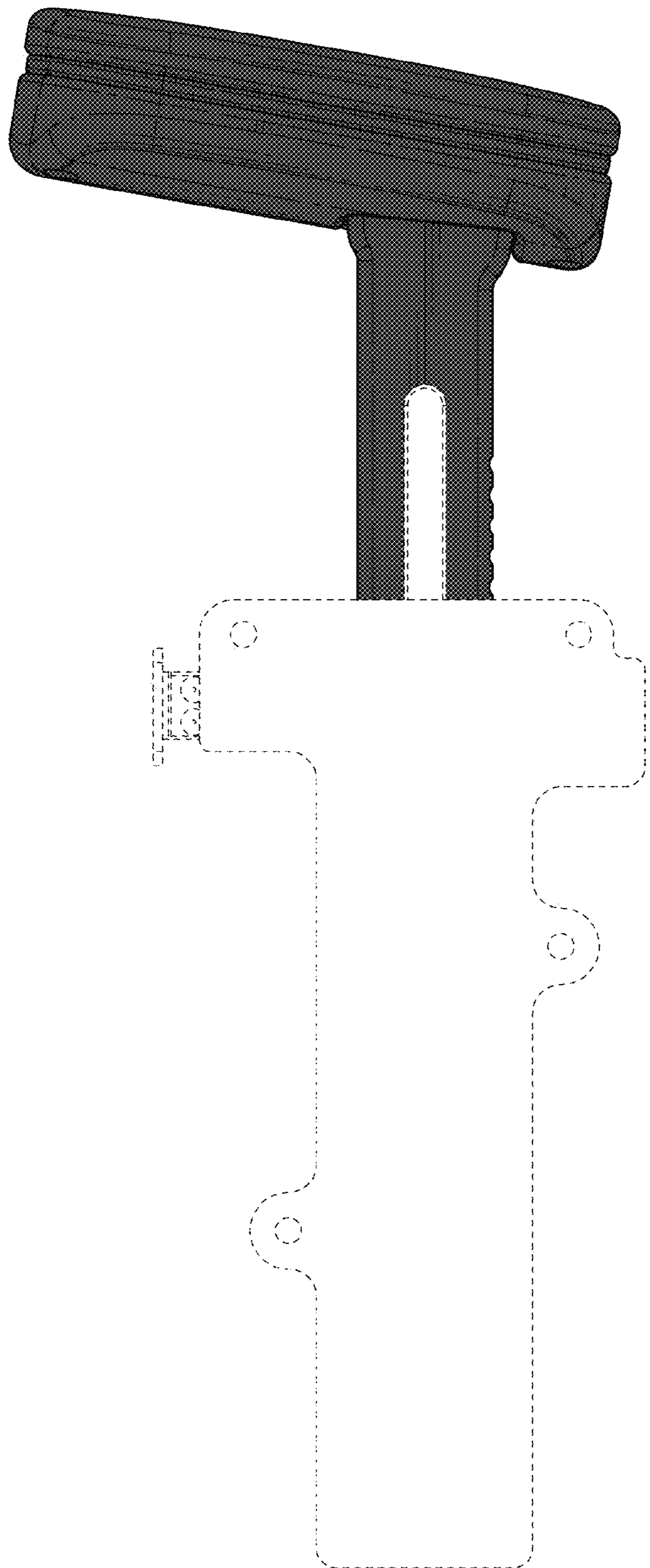


FIG. 3

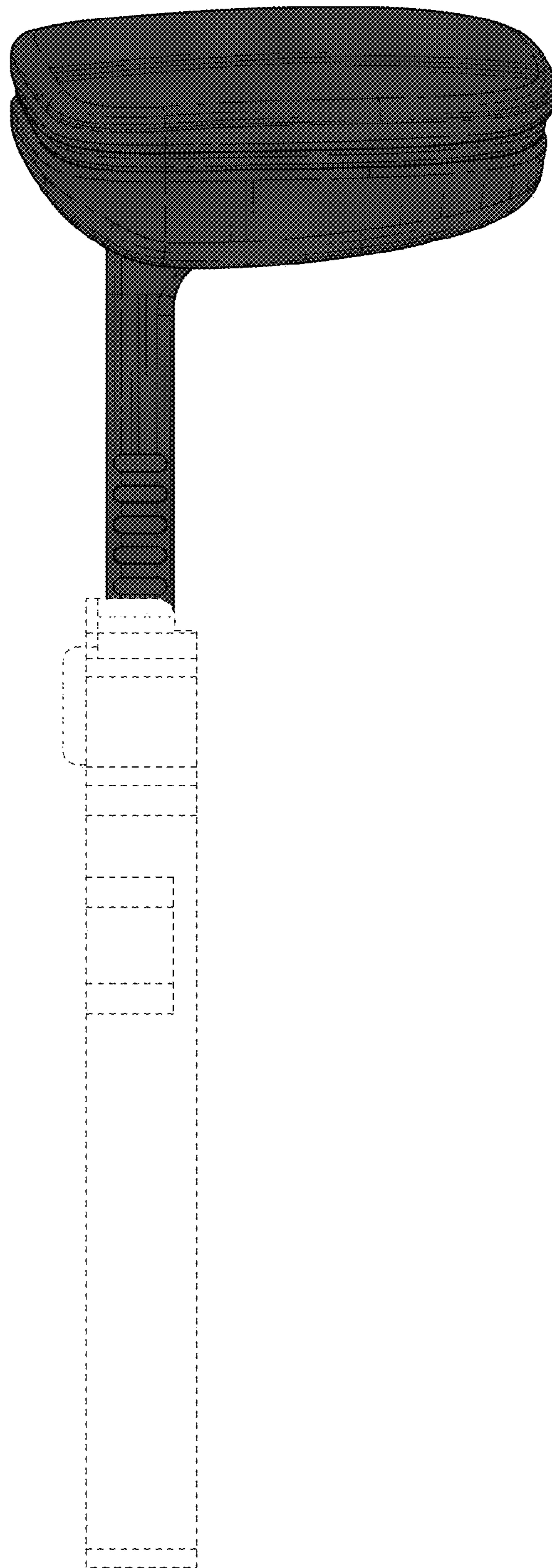


FIG. 4

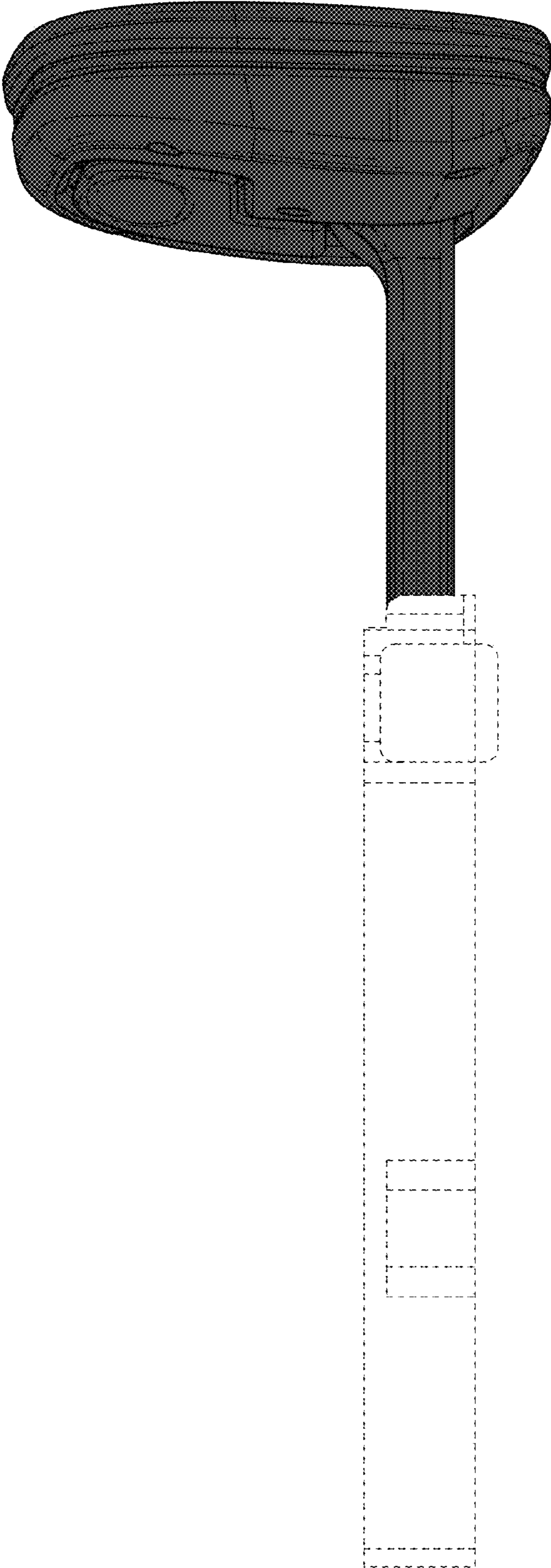


FIG. 5



FIG. 6

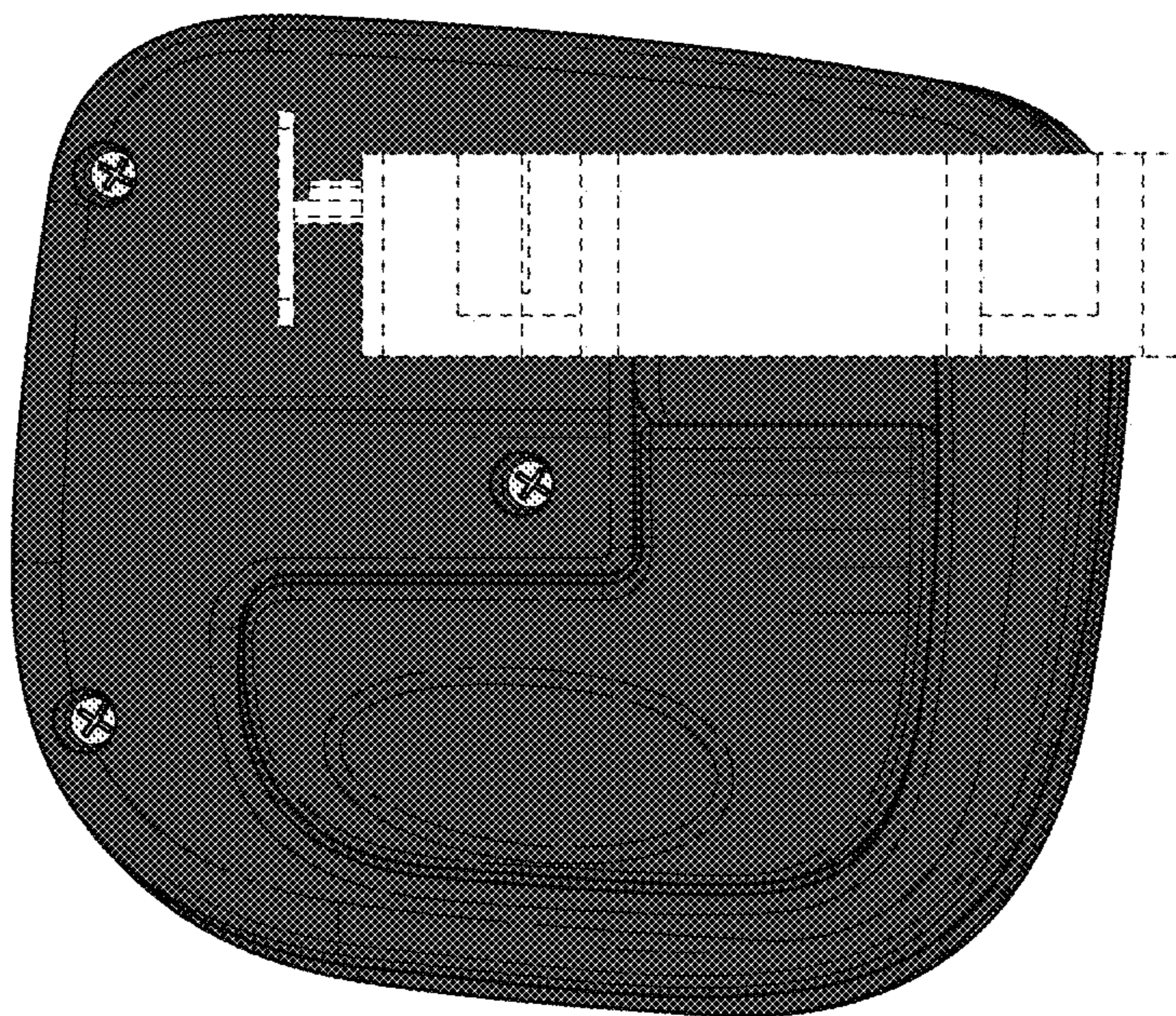


FIG. 7

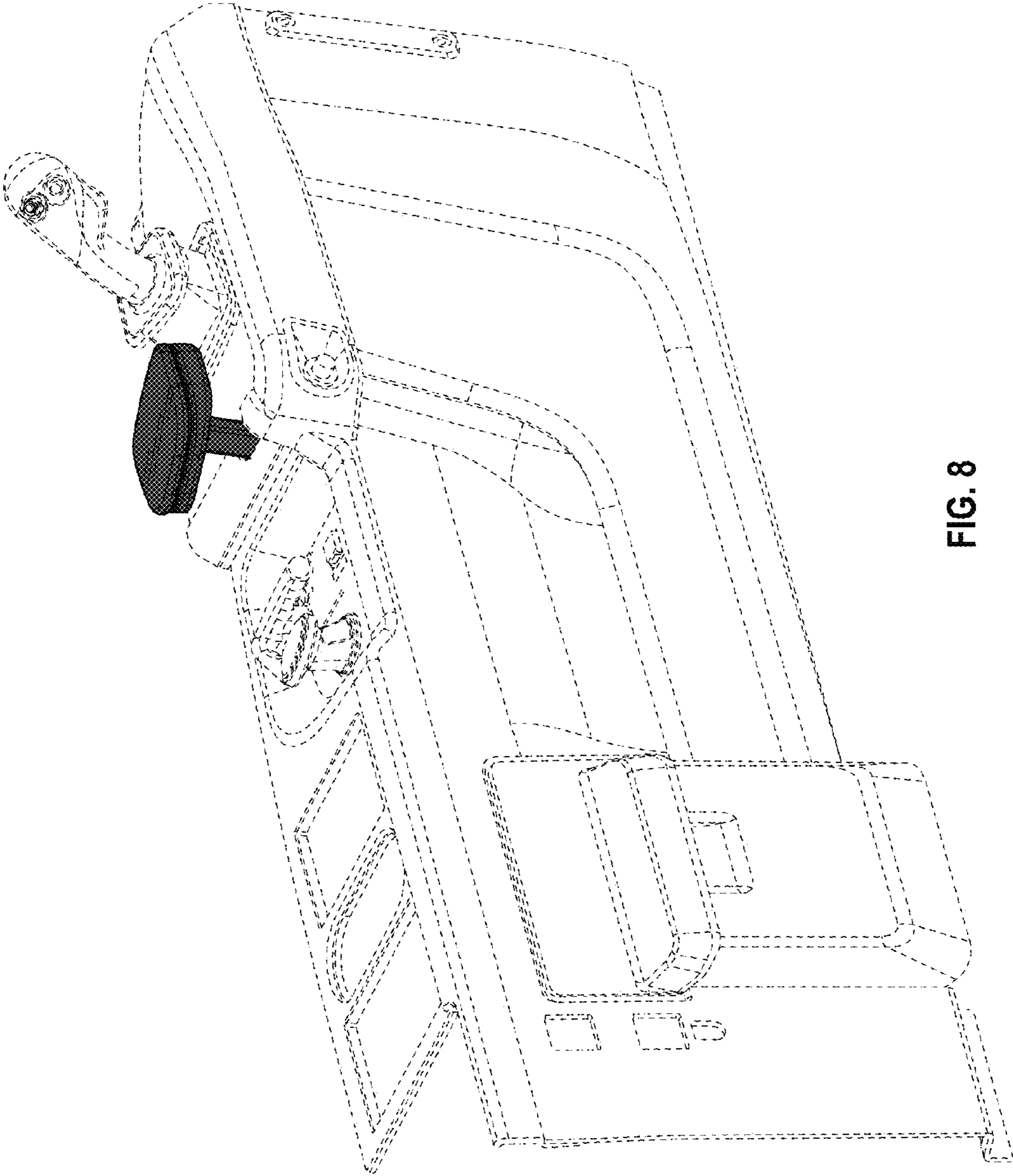


FIG. 8