



US00D742299S

(12) **United States Design Patent**  
**Williams**

(10) **Patent No.:** **US D742,299 S**  
(45) **Date of Patent:** **\*\* Nov. 3, 2015**

- (54) **CENTER CONSOLE**
- (71) Applicant: **L&P Property Management Company, South Gate, CA (US)**
- (72) Inventor: **Steve Williams, Stevens Point, WI (US)**
- (73) Assignee: **L&P Property Management Company, South Gate, CA (US)**
- (\*\*) Term: **14 Years**
- (21) Appl. No.: **29/495,077**
- (22) Filed: **Jun. 26, 2014**

**Related U.S. Application Data**

- (62) Division of application No. 29/406,818, filed on Nov. 18, 2011, now Pat. No. Des. 710,784.
- (51) **LOC (10) Cl.** ..... **12-16**
- (52) **U.S. Cl.**  
USPC ..... **D12/415**
- (58) **Field of Classification Search**  
USPC ..... 312/246; 296/37.1-37.8, 70, 24.1-24.3,  
296/24.34, 97.1-97.8; 224/311, 539, 281,  
224/118.1; 160/370.21-370.23  
CPC ..... B60R 7/04; B60R 7/08  
See application file for complete search history.

(56) **References Cited**

**U.S. PATENT DOCUMENTS**

D218,438 S	8/1970	Shook
D233,428 S	10/1974	Hestand
D249,262 S	9/1978	Neece
D279,329 S	6/1985	Dzak
4,690,448 A	9/1987	Fujisawa
4,796,791 A	1/1989	Goss et al.
4,818,008 A	4/1989	Cressoni
5,085,481 A	2/1992	Fluharty et al.

D363,916 S	11/1995	Johnson
5,609,382 A	3/1997	Schmid et al.
D429,209 S	8/2000	Inchaurregui
D429,684 S	8/2000	Johnson
D434,365 S	11/2000	Herer et al.
D437,299 S	2/2001	Johnson

(Continued)

**OTHER PUBLICATIONS**

Havis part no. C-VS-0812-CHGR, Havis, Inc., known and accessible to the public at least prior to Nov. 18, 2010, retrieved from the Internet <URLs: [http://www.havis.com/data/1-Mounting/Consoles/C-VS%20Series/C-VS-0812-CHGR/C-VS-0812-CHGR-1\\_ISO\\_2-10.jpg](http://www.havis.com/data/1-Mounting/Consoles/C-VS%20Series/C-VS-0812-CHGR/C-VS-0812-CHGR-1_ISO_2-10.jpg) and [http://www.havis.com/data/1-Mounting/Consoles/C-VS%20Series/C-VS-0812-CHGR/C-VS-0812-CHGR\\_INST\\_3-11.pdf](http://www.havis.com/data/1-Mounting/Consoles/C-VS%20Series/C-VS-0812-CHGR/C-VS-0812-CHGR_INST_3-11.pdf)>, 5 pages.

(Continued)

*Primary Examiner* — Katrina A Betton

(74) *Attorney, Agent, or Firm* — Michael Best & Friedrich LLP

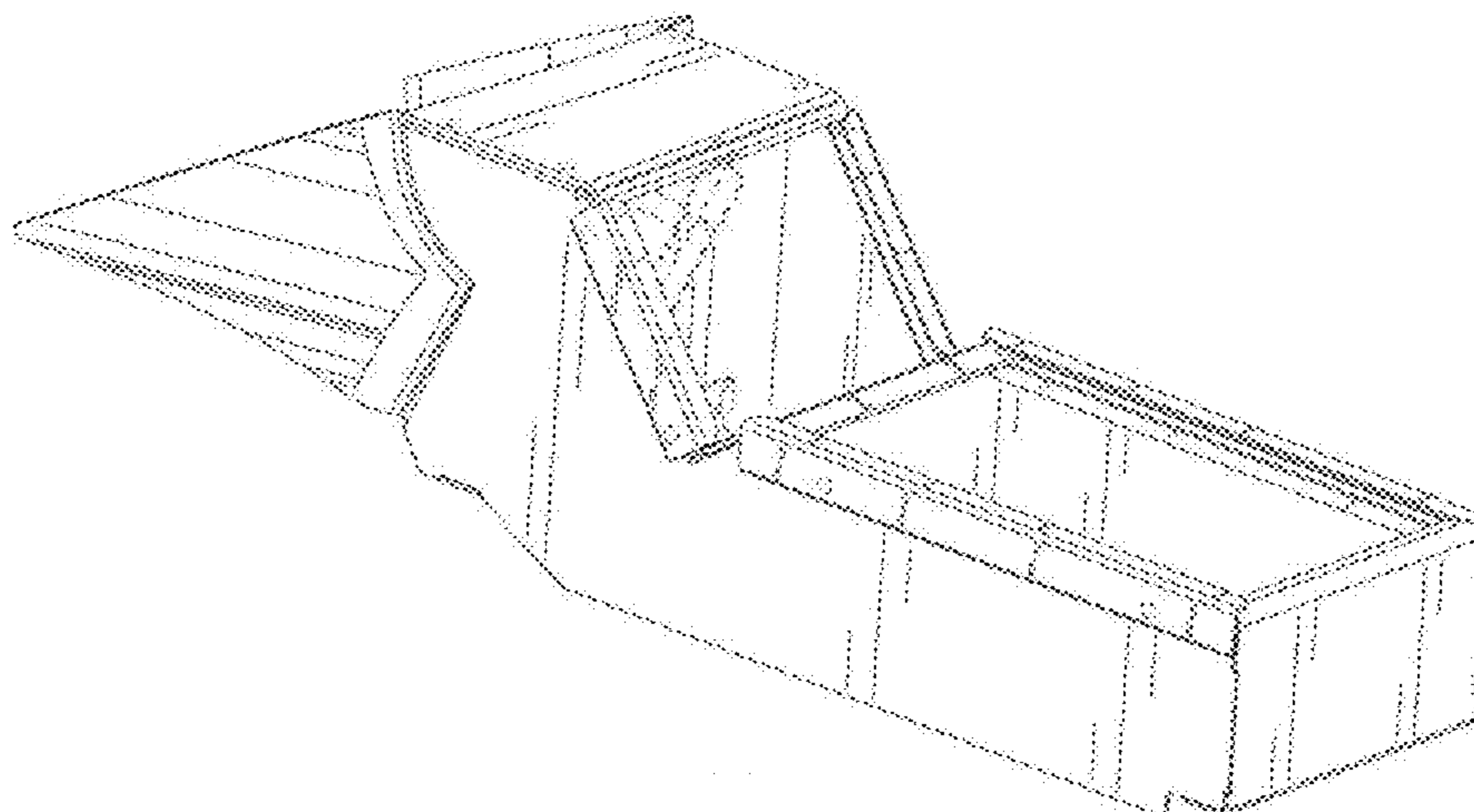
(57) **CLAIM**

I claim the ornamental design for a center console, as shown.

**DESCRIPTION**

FIG. 1 is a perspective view of a center console.  
FIG. 2 is a rear view of the center console shown in FIG. 1.  
FIG. 3 is a front view of the center console shown in FIG. 1.  
FIG. 4 is a right side view of the center console shown in FIG. 1.  
FIG. 5 is a left side view of the center console shown in FIG. 1.  
FIG. 6 is a top view of the center console shown in FIG. 1; and,  
FIG. 7 is a bottom view of the center console shown in FIG. 1.

**1 Claim, 6 Drawing Sheets**



(56)

**References Cited**

U.S. PATENT DOCUMENTS

D453,318 S 2/2002 Moore  
 6,388,881 B2 5/2002 Yamauchi et al.  
 6,428,072 B1 8/2002 Moore  
 6,616,206 B2 9/2003 Luginbill et al.  
 D500,284 S 12/2004 Clark  
 7,210,725 B2 5/2007 Moore  
 7,237,816 B1 7/2007 Singh et al.  
 D568,232 S 5/2008 Motozaki et al.  
 7,506,843 B2 3/2009 McKelvey  
 D632,639 S 2/2011 Rosenbohm  
 7,891,719 B2 2/2011 Carnevali  
 7,914,059 B2 3/2011 Carnevali  
 D672,307 S 12/2012 von Holzhausen et al.  
 D672,706 S \* 12/2012 Okumura et al. .... D12/415  
 D694,701 S \* 12/2013 Ouellette et al. .... D12/415  
 D729,144 S \* 5/2015 Yamamoto ..... D12/415  
 2003/0067183 A1 4/2003 Moore  
 2004/0169387 A1 9/2004 Moore  
 2007/0182183 A1 \* 8/2007 Lota ..... 296/24.34

2007/0216182 A1 9/2007 Moore  
 2009/0058120 A1 \* 3/2009 Ioka et al. .... 296/24.34  
 2009/0115215 A1 \* 5/2009 Abro et al. .... 296/24.34  
 2010/0090489 A1 4/2010 Carnevali  
 2010/0090490 A1 4/2010 Carnevali  
 2010/0282802 A1 11/2010 Carnevali  
 2010/0283277 A1 11/2010 Carnevali  
 2010/0283281 A1 11/2010 Carnevali  
 2012/0049601 A1 \* 3/2012 von Rothkirch und Panthen  
 et al. .... 297/411.2  
 2014/0265405 A1 \* 9/2014 Appelbom et al. .... 296/24.34  
 2015/0035308 A1 \* 2/2015 Huebner et al. .... 296/37.8

OTHER PUBLICATIONS

Jotto part No. 425-6138, Jotto Desk, known and accessible to the public at least prior to Nov. 18, 2010, retrieved from the Internet <URL: [http://www.customorderpolicespecialties.com/Jotto-Desk-Consoles/Jotto\\_Desk\\_Dodger\\_Charger\\_425\\_6138](http://www.customorderpolicespecialties.com/Jotto-Desk-Consoles/Jotto_Desk_Dodger_Charger_425_6138)>, 2 pages. Office Action from the Canadian Intellectual Property Office for Application No. 143540 dated Apr. 4, 2012 (2 pages).

\* cited by examiner

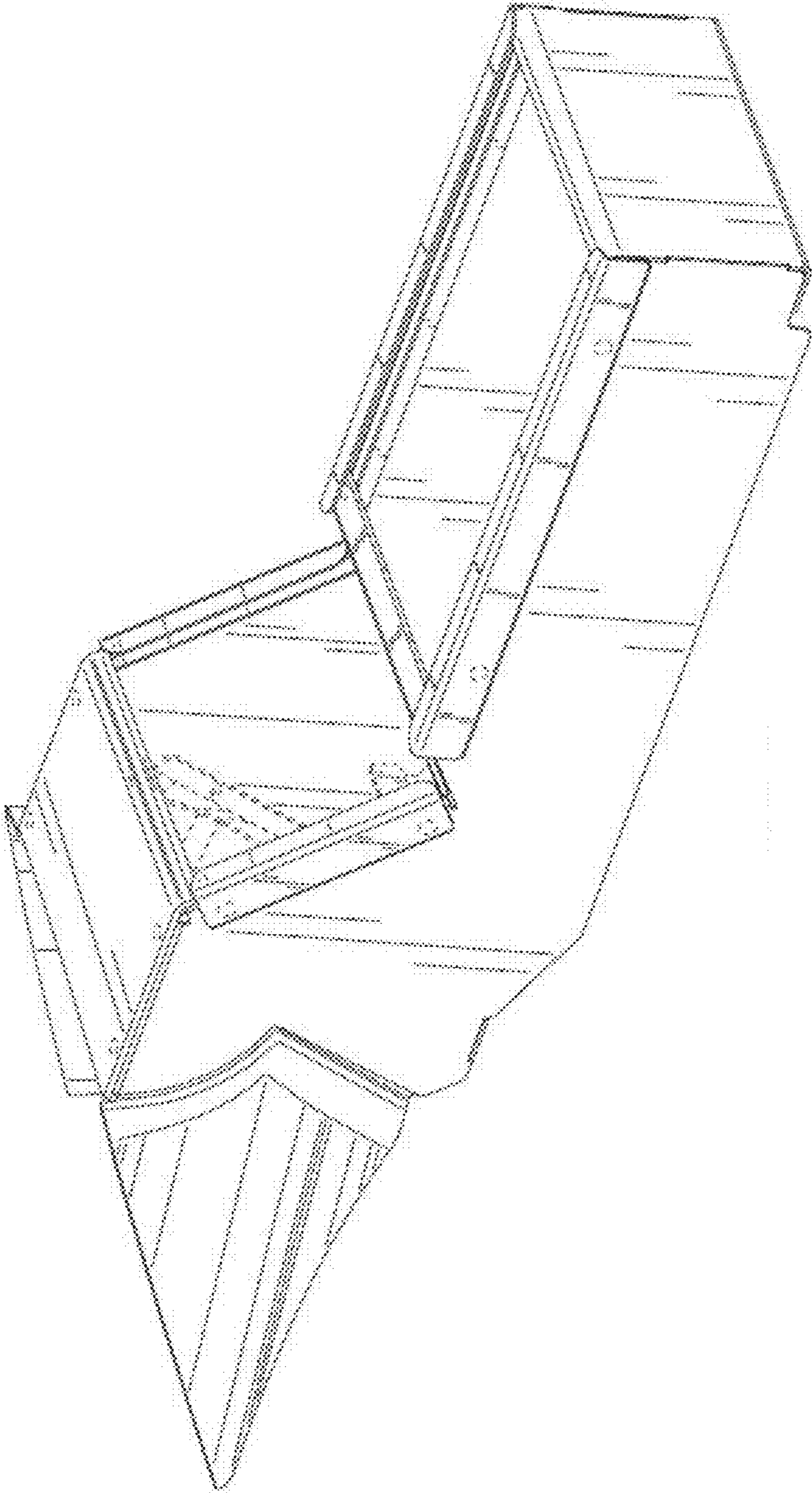


FIG. 1

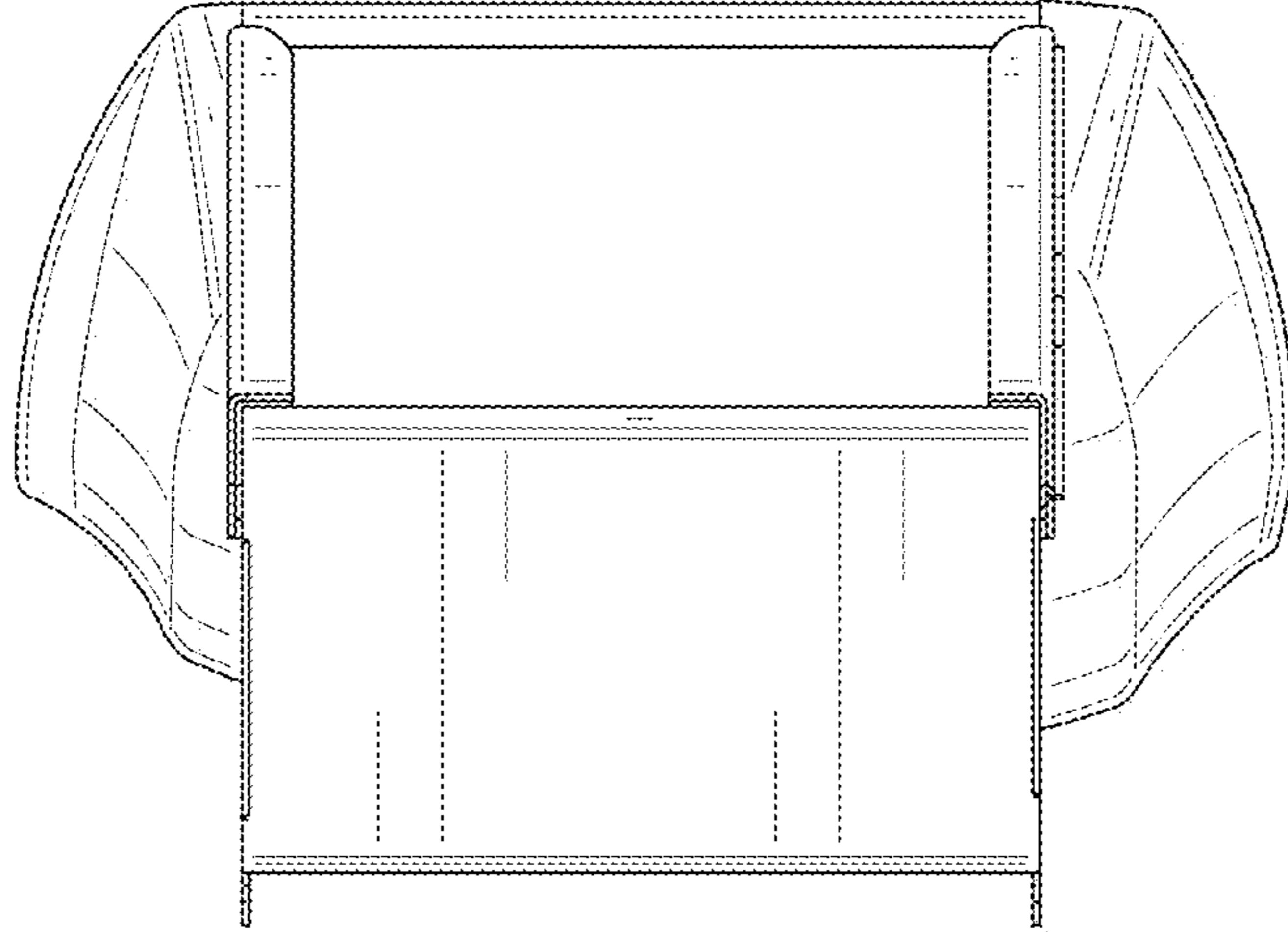


FIG. 2

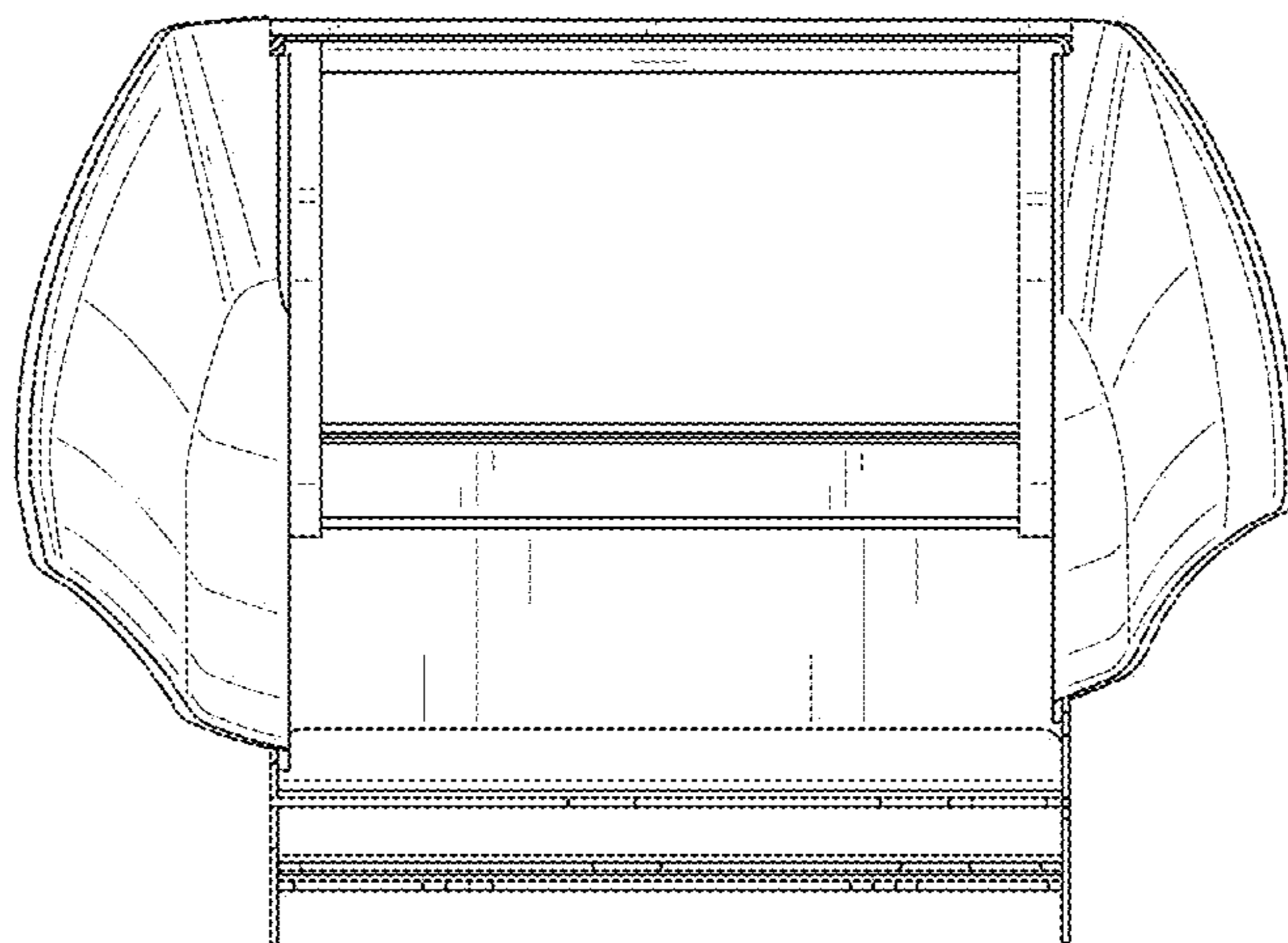


FIG. 3



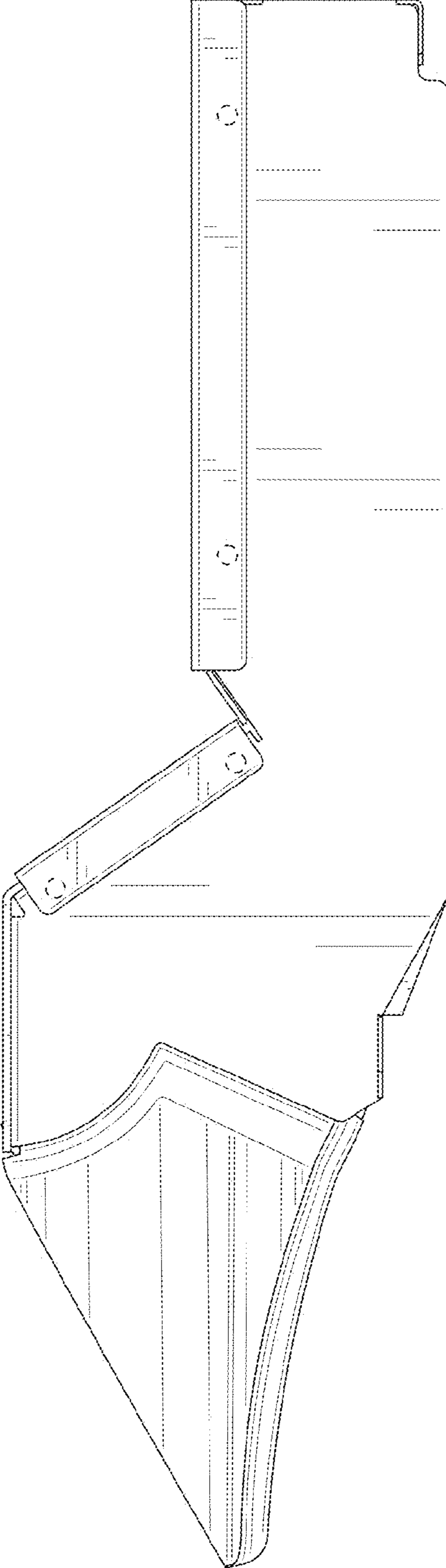


FIG. 4

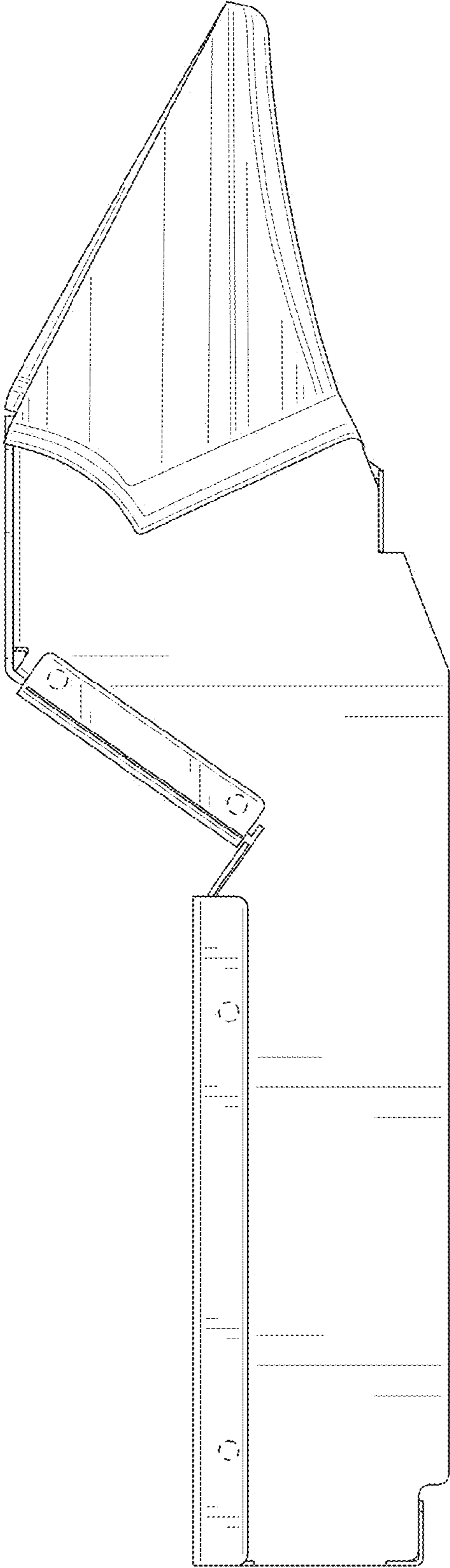


FIG. 5

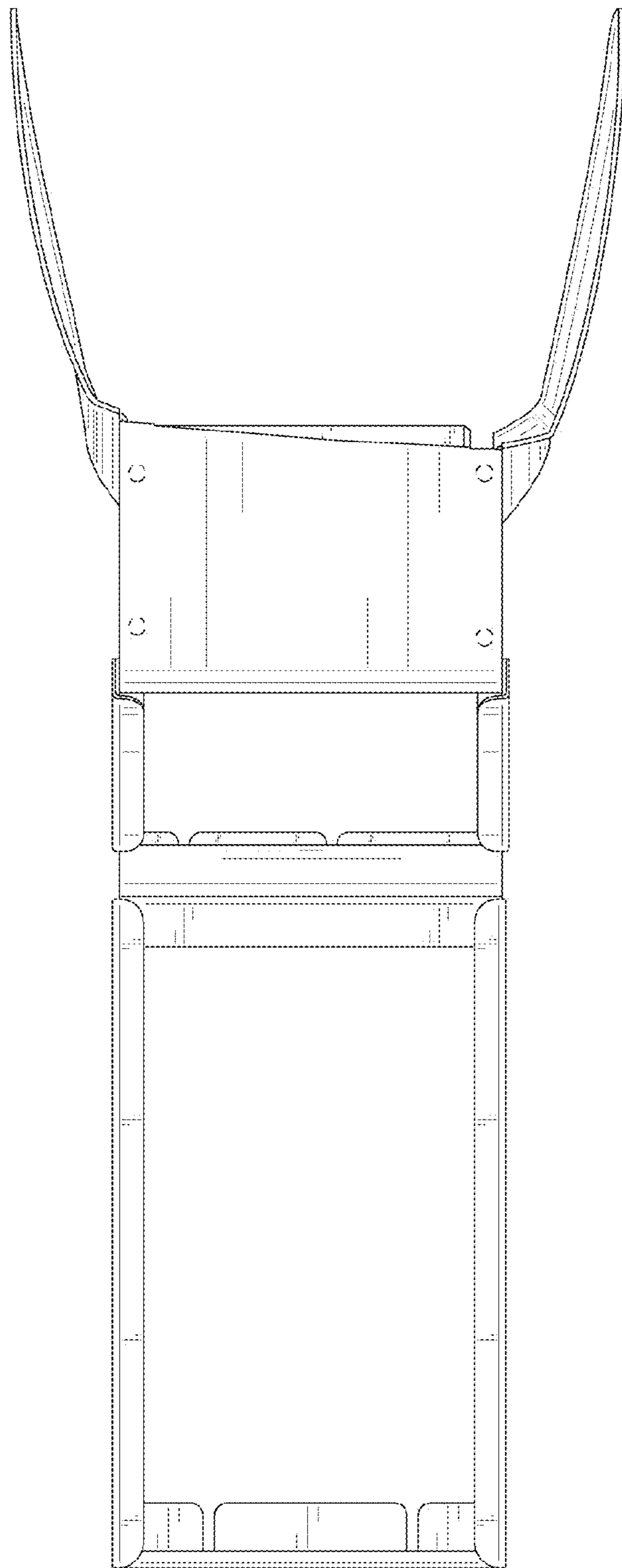


FIG. 6

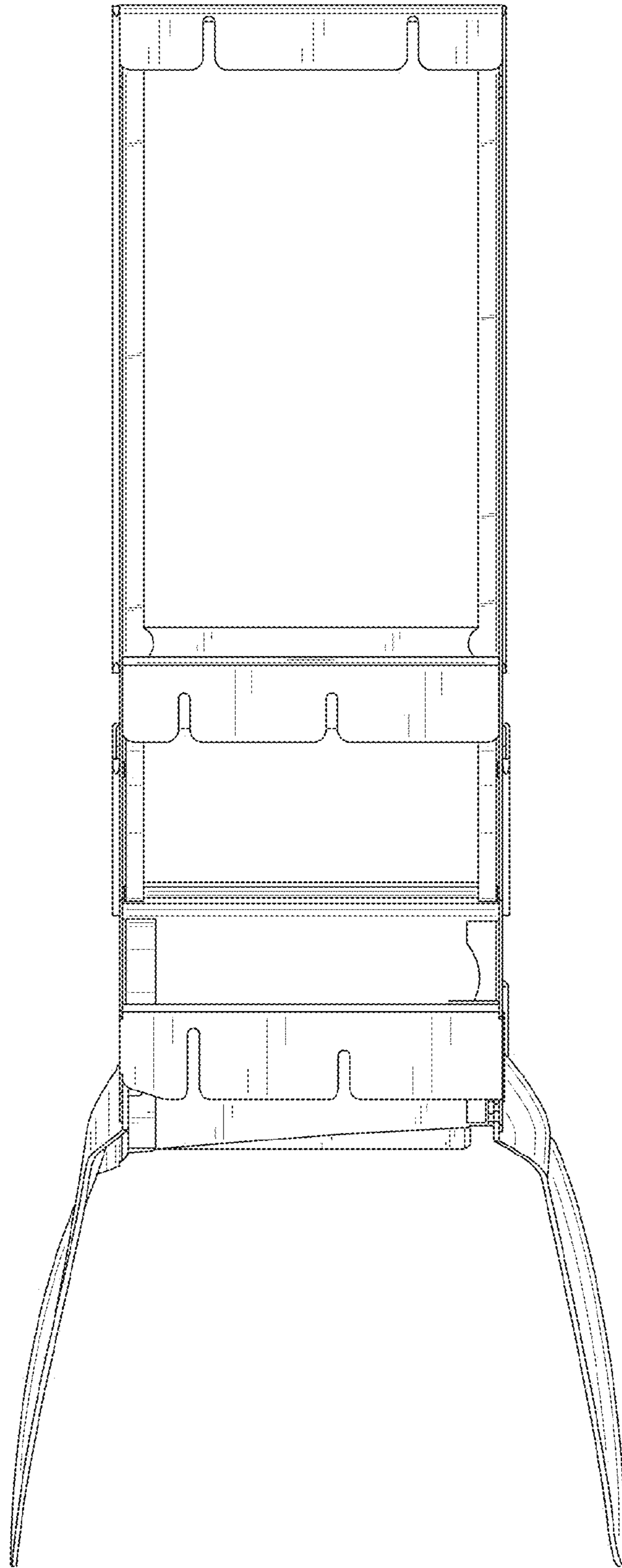


FIG. 7