



US00D742295S

(12) **United States Design Patent**  
**Zhao**

(10) **Patent No.:** **US D742,295 S**  
(45) **Date of Patent:** **\*\* Nov. 3, 2015**

(54) **AUTOMOBILE WHEEL**

(71) Applicant: **WAH HUNG GROUP INC.**, Monterey Park, CA (US)

(72) Inventor: **John Zhao**, Monterey Park, CA (US)

(73) Assignee: **Wah Hung Group Inc.**, Monterey Park, CA (US)

(\*\*) Term: **14 Years**

(21) Appl. No.: **29/506,028**

(22) Filed: **Oct. 12, 2014**

(51) **LOC (10) Cl.** ..... **12-16**

(52) **U.S. Cl.**  
USPC ..... **D12/211**

(58) **Field of Classification Search**  
USPC ..... D12/204–213; 301/37.101, 64.101, 65  
See application file for complete search history.

(56) **References Cited**

**U.S. PATENT DOCUMENTS**

1,129,617	A *	2/1915	Woodworth	.....	301/64.102
D244,272	S *	5/1977	Raudman et al.	.....	D12/205
D290,946	S *	7/1987	Bruder	.....	D12/205
D524,712	S *	7/2006	Pfeiffer	.....	D12/211
7,097,730	B2 *	8/2006	Woelfel et al.	.....	156/290
7,168,768	B2 *	1/2007	Thompson	.....	301/37.101
D641,301	S *	7/2011	Hilpert	.....	D12/211
D652,364	S *	1/2012	Zhao	.....	D12/211
D682,765	S *	5/2013	Alfonso	.....	D12/211

D682,766	S *	5/2013	Zhao	.....	D12/211
D683,688	S *	6/2013	Alfonso	.....	D12/211
D730,261	S *	5/2015	Johnson	.....	D12/211
2004/0144475	A1 *	7/2004	Woelfel et al.	.....	156/79
2011/0148181	A1 *	6/2011	Silva de Carvalho et al.	.....	301/37.102

**OTHER PUBLICATIONS**

Search Results for IN/ernie and IN/alfonso on USPTO.GOV on Dec. 21, 2014.

Search results of IN/john and TTL/wheel and IN/zhao on Dec. 19, 2014 on uspto.gov.

\* cited by examiner

*Primary Examiner* — Ian Simmons

*Assistant Examiner* — Samantha Q Lawrence

(74) *Attorney, Agent, or Firm* — Payam Moradian

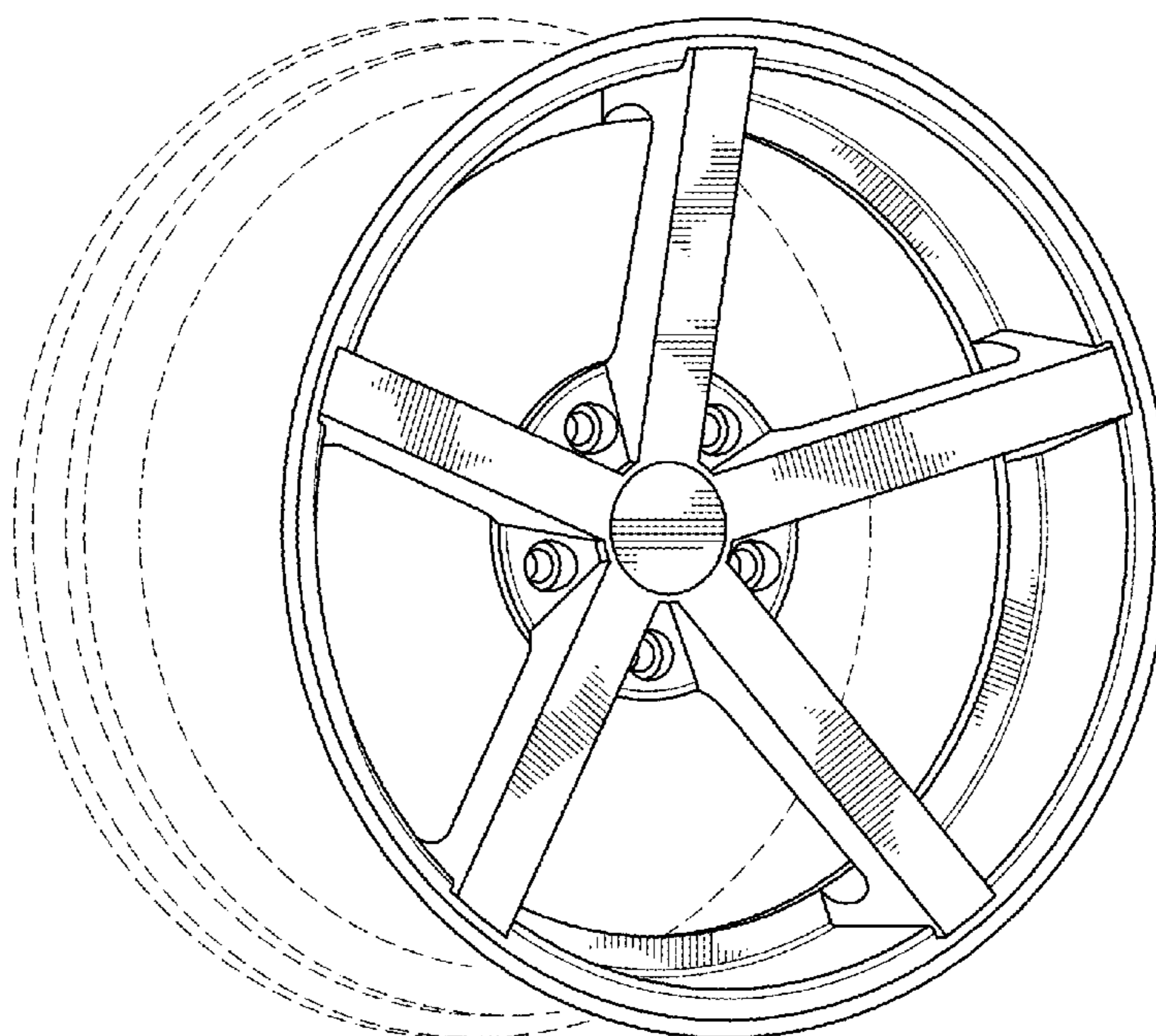
(57) **CLAIM**

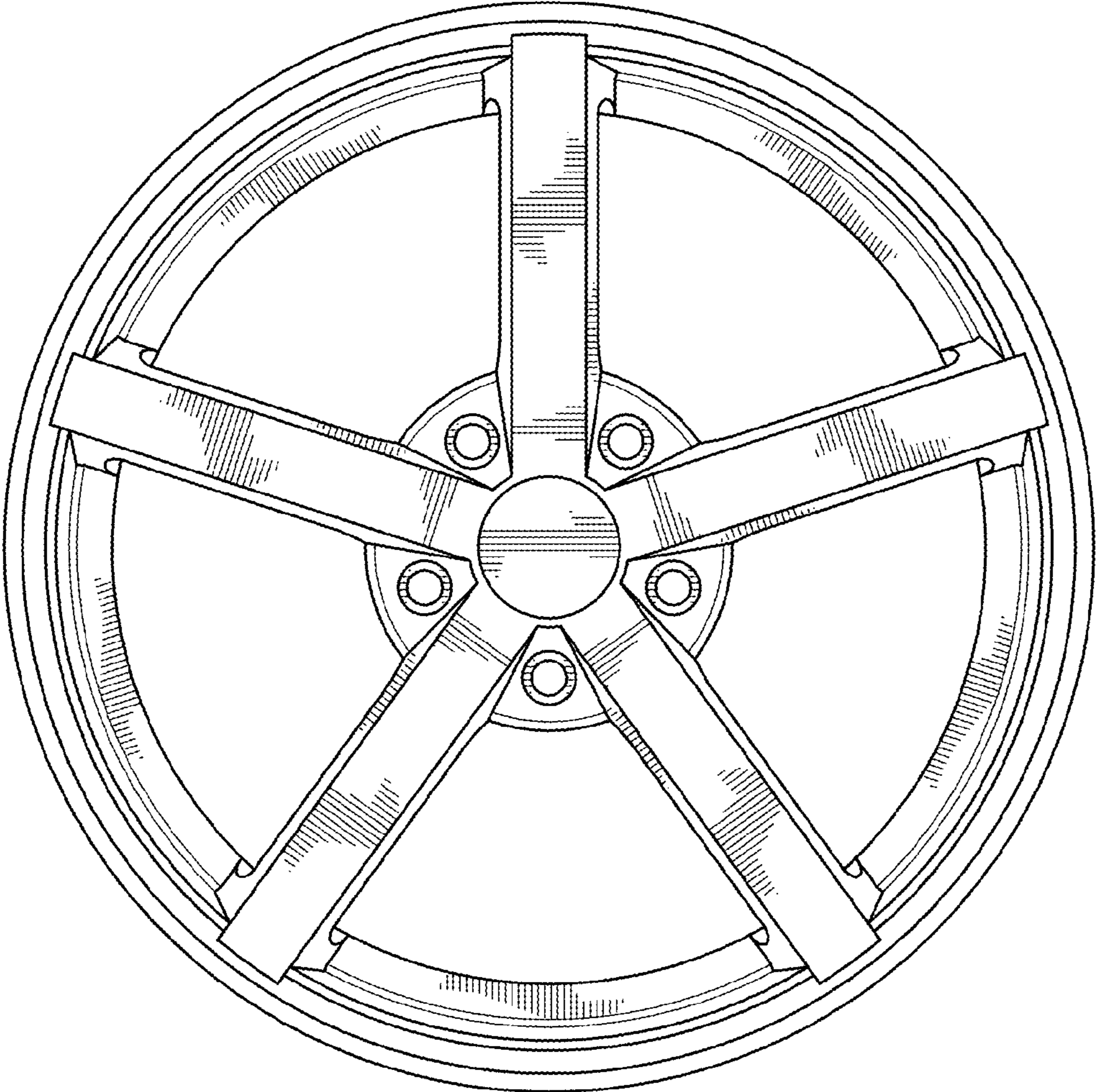
I claim the ornamental design for an automobile wheel, as shown and described.

**DESCRIPTION**

FIG. 1 is a front elevational view of an automobile wheel; and, FIG. 2 is a perspective view thereof. The broken lines shown in FIG. 2 illustrate portions of the automobile wheel that form no part of the claimed design.

**1 Claim, 2 Drawing Sheets**





*FIG. 1*

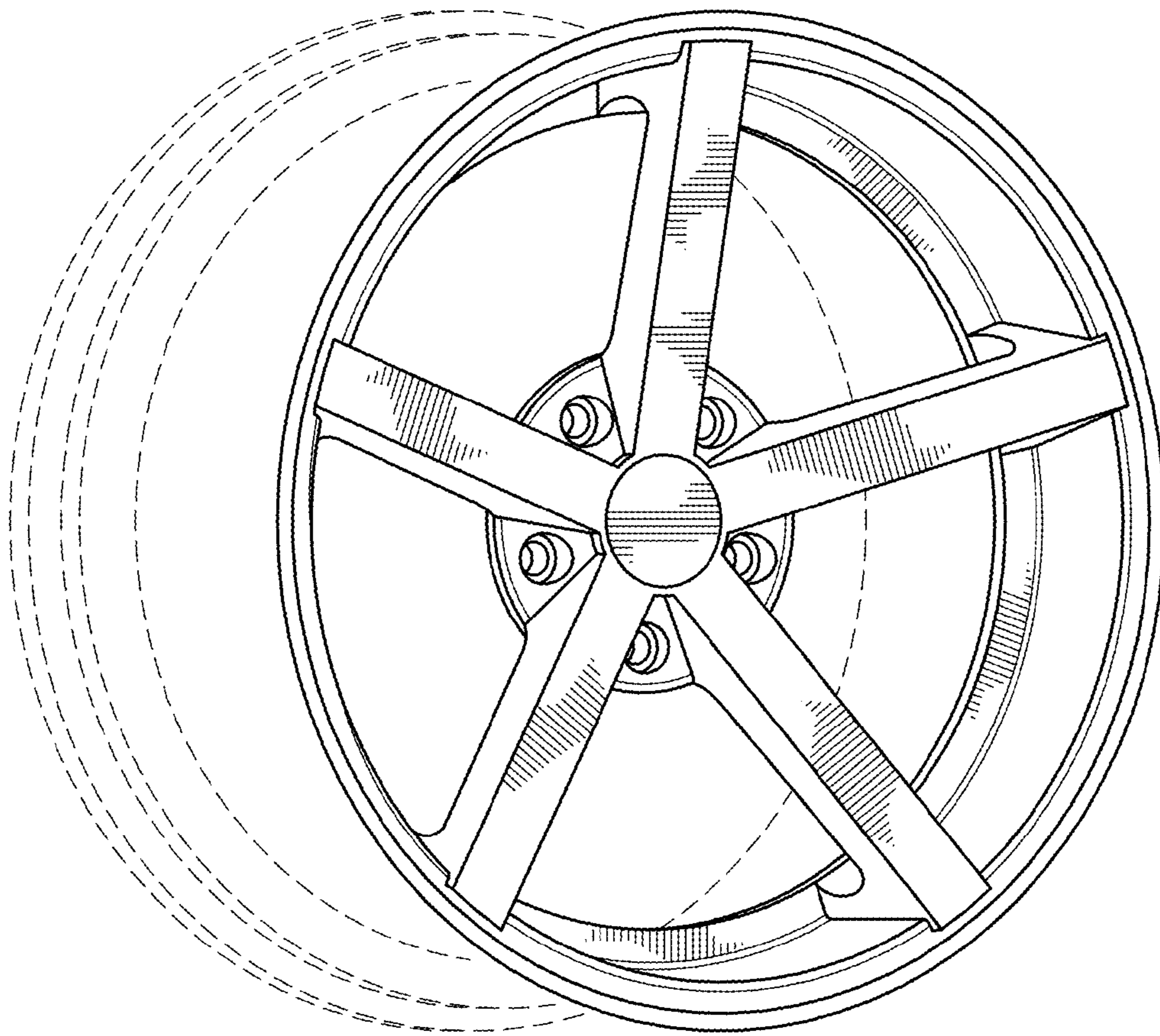


FIG. 2