



US00D742293S

(12) **United States Design Patent**
Chung

(10) **Patent No.:** **US D742,293 S**

(45) **Date of Patent:** **** Nov. 3, 2015**

(54) **WHEEL**

(71) Applicant: **Suny Chung**, Anaheim, CA (US)

(72) Inventor: **Suny Chung**, Anaheim, CA (US)

(73) Assignee: **Wheel Pros, LLC**, Greenwood Village, CO (US)

(**) Term: **14 Years**

(21) Appl. No.: **29/495,360**

(22) Filed: **Jun. 30, 2014**

(51) **LOC (10) Cl.** **12-16**

(52) **U.S. Cl.**
USPC **D12/211**

(58) **Field of Classification Search**
USPC D12/204–213
CPC B60B 7/00; B60B 7/02; B60B 7/04;
B60B 7/01; B60B 7/06; B60B 3/02; B60B
3/04; B60B 3/06; B60B 3/10; B60B 1/00;
B60B 1/08; B60B 1/10; B60B 1/12
See application file for complete search history.

(56) **References Cited**

U.S. PATENT DOCUMENTS

D470,812 S	*	2/2003	Chu	D12/211
D499,062 S	*	11/2004	Cheng	D12/209
D526,267 S	*	8/2006	Looho	D12/211
D543,493 S	*	5/2007	Kim	D12/209
D548,165 S	*	8/2007	Young	D12/211
D569,778 S	*	5/2008	Kim	D12/211

D578,458 S	*	10/2008	Cortes	D12/211
D597,012 S	*	7/2009	Chung	D12/211
D625,238 S	*	10/2010	Zhao	D12/209
D670,227 S	*	11/2012	Chung	D12/211
D686,959 S	*	7/2013	Hale	D12/209
D688,187 S	*	8/2013	McMath	D12/209
D695,188 S	*	12/2013	Chinavare	D12/209
D707,167 S	*	6/2014	Chung	D12/209
D709,020 S	*	7/2014	Chung	D12/211
D712,333 S	*	9/2014	Chung	D12/211
D722,548 S	*	2/2015	Chung	D12/211
D733,025 S	*	6/2015	Chung	D12/211

* cited by examiner

Primary Examiner — Stacia Cadmus

(74) *Attorney, Agent, or Firm* — Garcia-Zamor IP Law; Ruy M. Garcia-Zamor

(57) **CLAIM**

The ornamental design for a wheel, as shown and described.

DESCRIPTION

FIG. 1 is a perspective view of a wheel according to my new design;

FIG. 2 is a front elevational view of the wheel of FIG. 1;

FIG. 3 is a left side elevational view of the wheel of FIG. 1;

FIG. 4 is a right side elevational view of the wheel of FIG. 1;

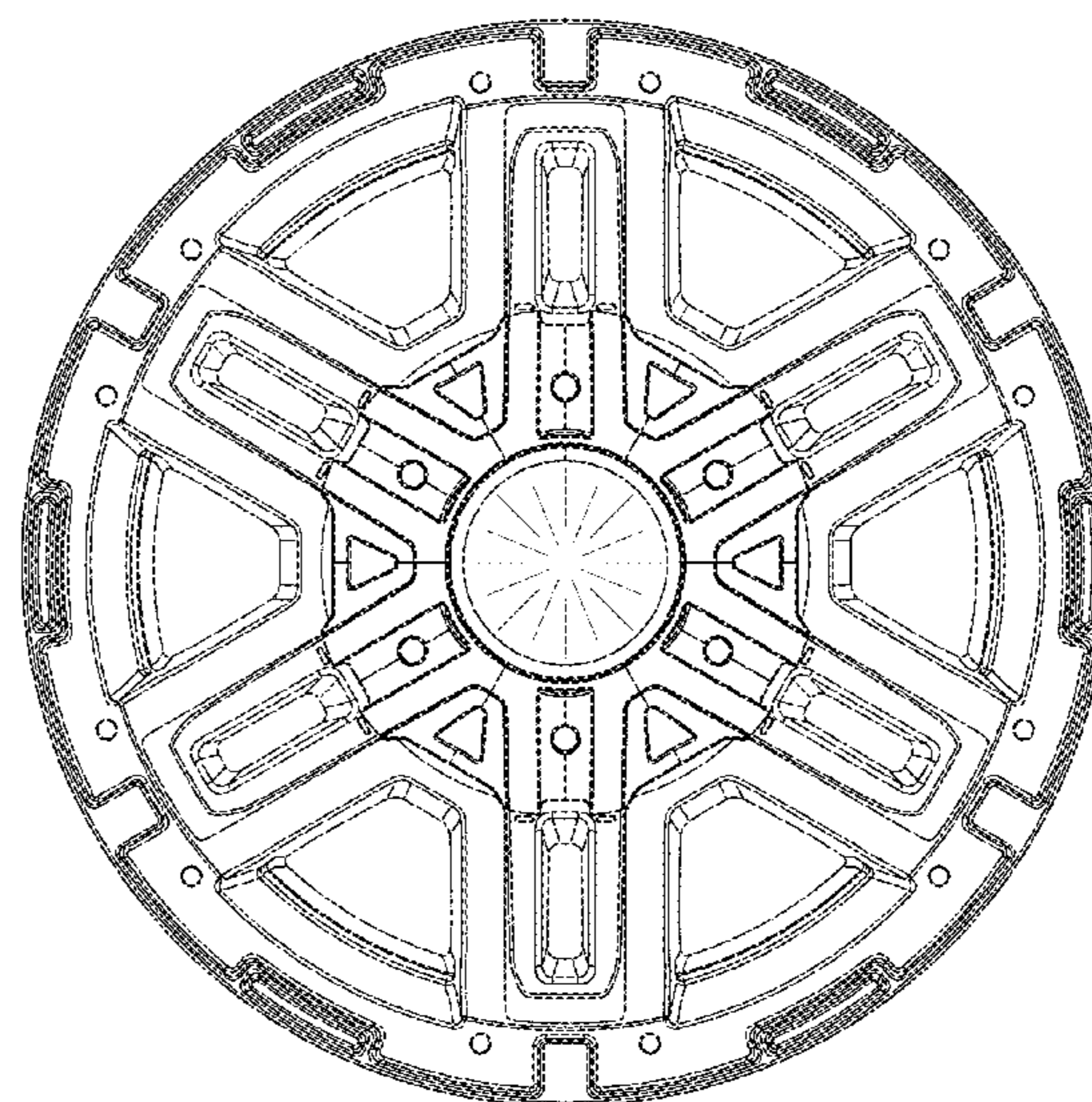
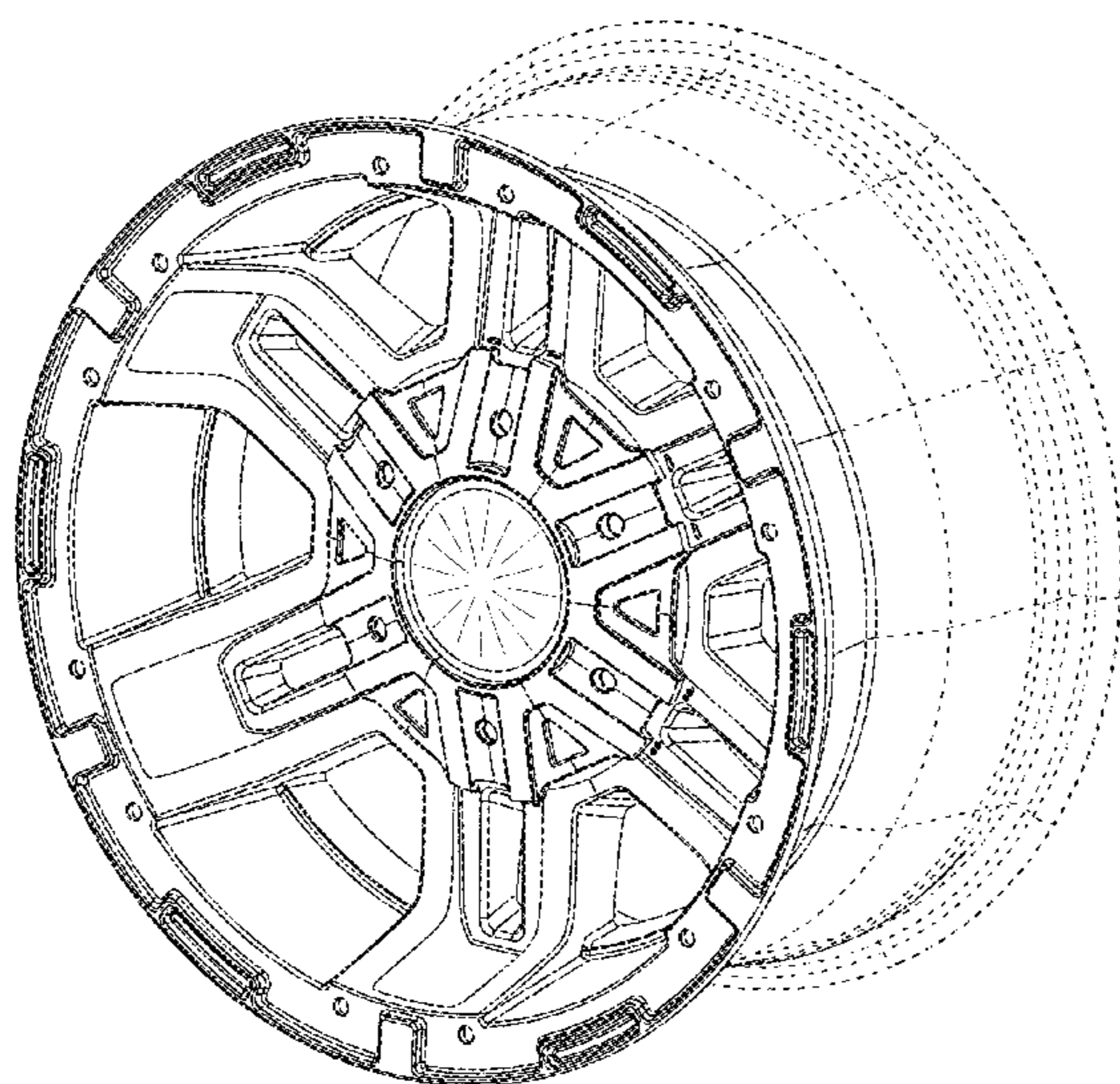
FIG. 5 is a top plan view of the wheel of FIG. 1;

FIG. 6 is a bottom plan view of the wheel of FIG. 1; and,

FIG. 7 is a rear elevational view of the wheel of FIG. 1.

The broken lines in FIGS. 1 and 3-7 represent environment and are for illustrative purposes only and do not constitute part of the claimed design.

1 Claim, 6 Drawing Sheets



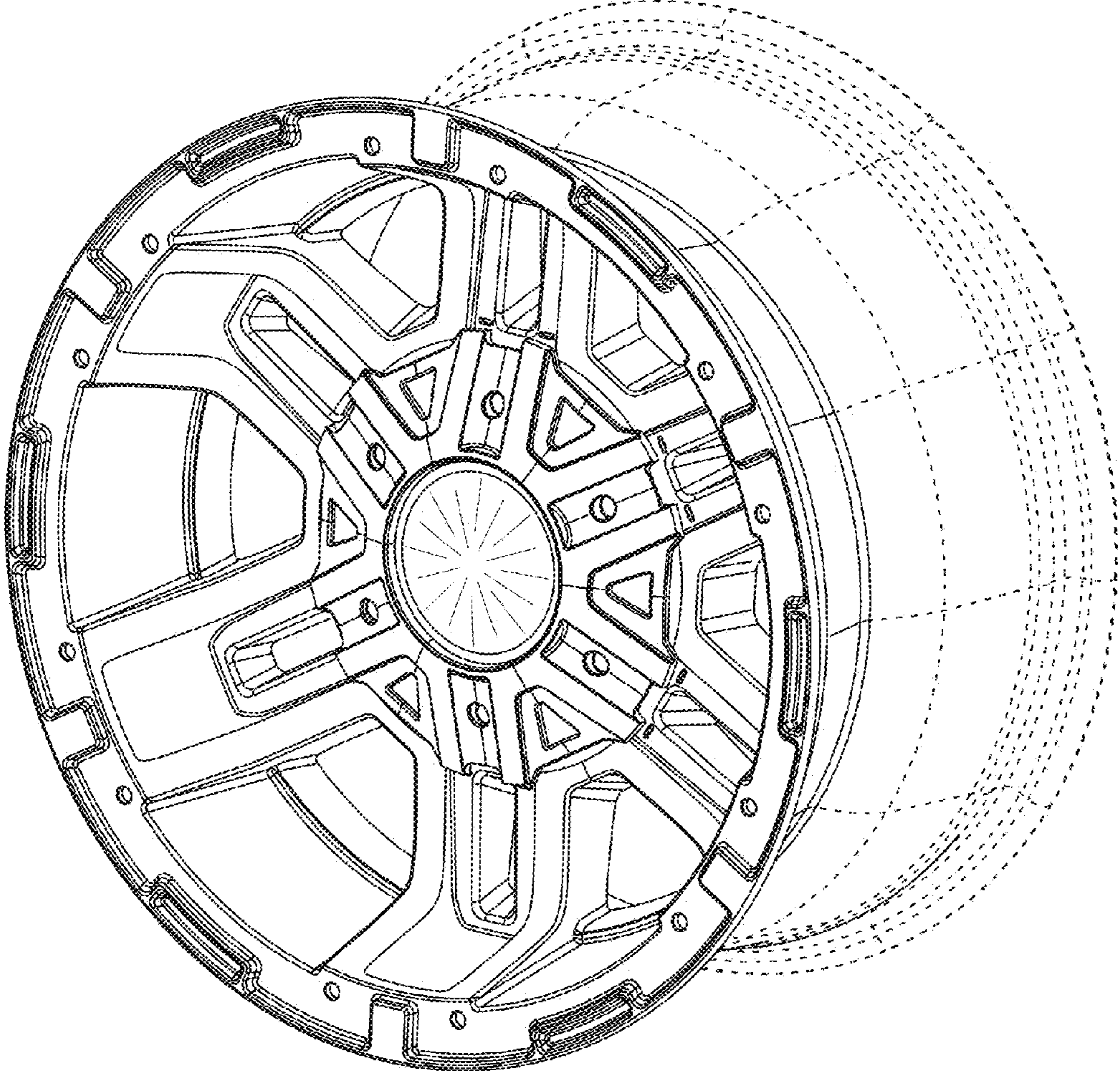


FIG. 1

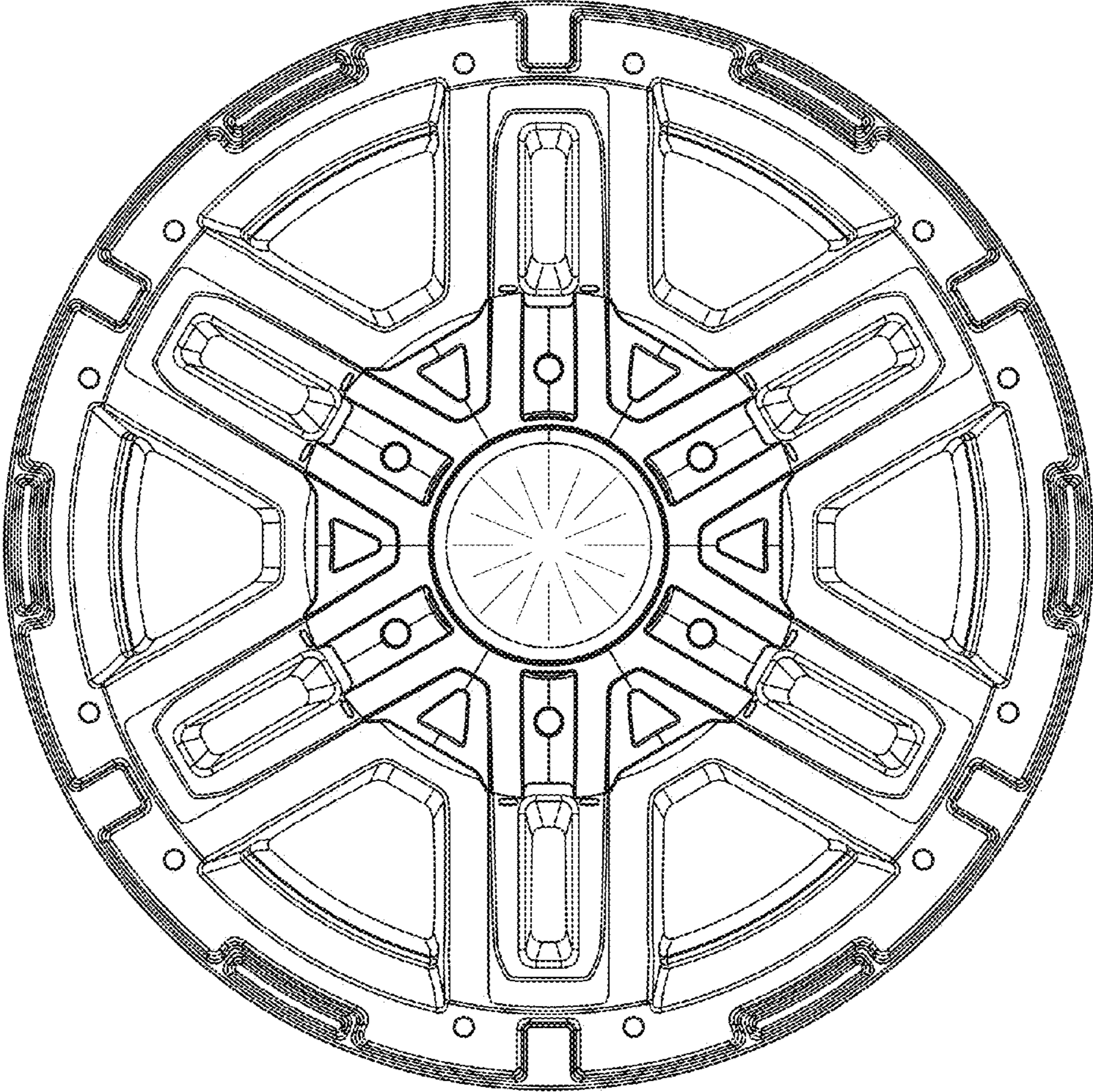


FIG. 2

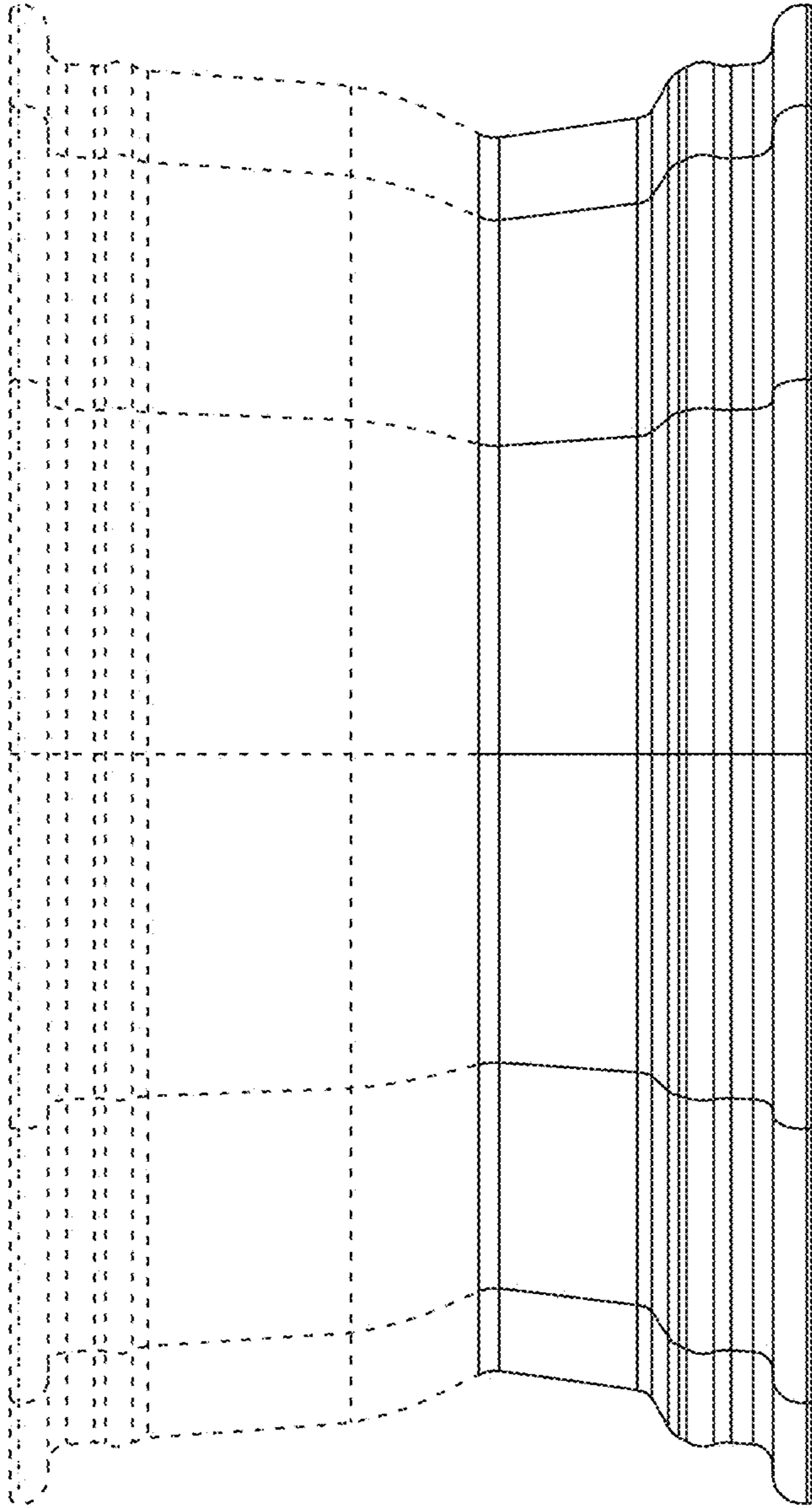


FIG. 3

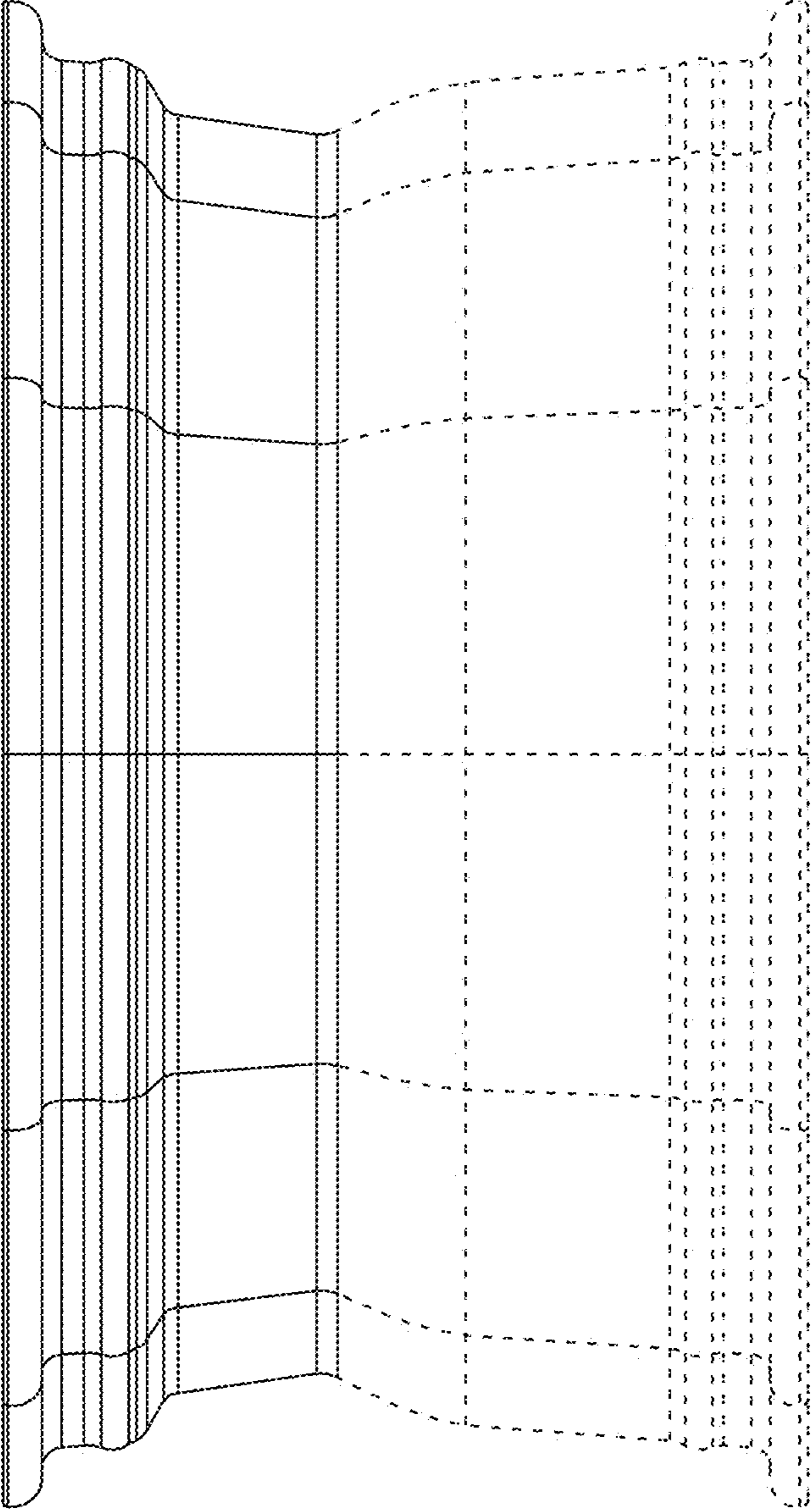


FIG. 4

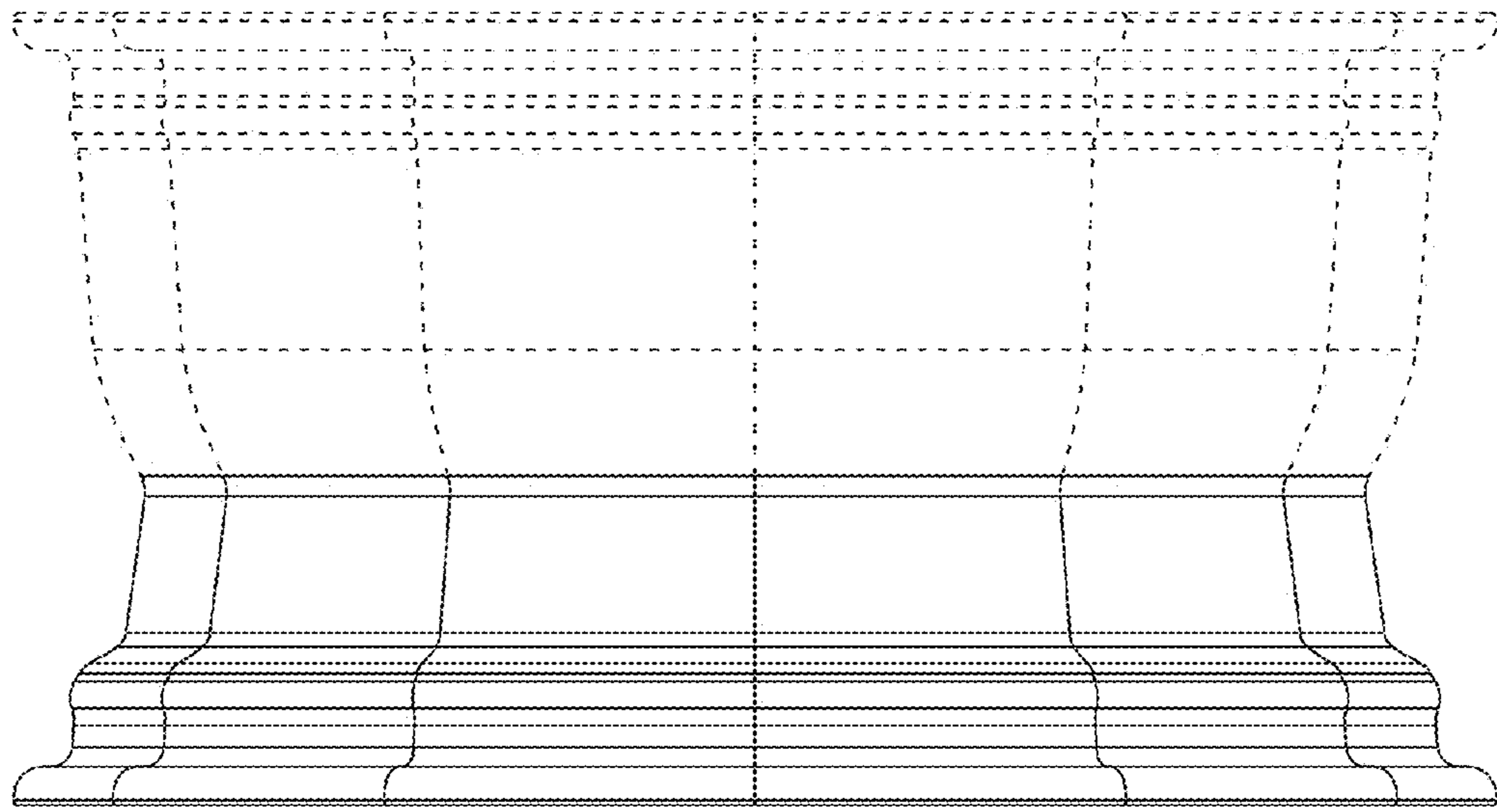


FIG. 5

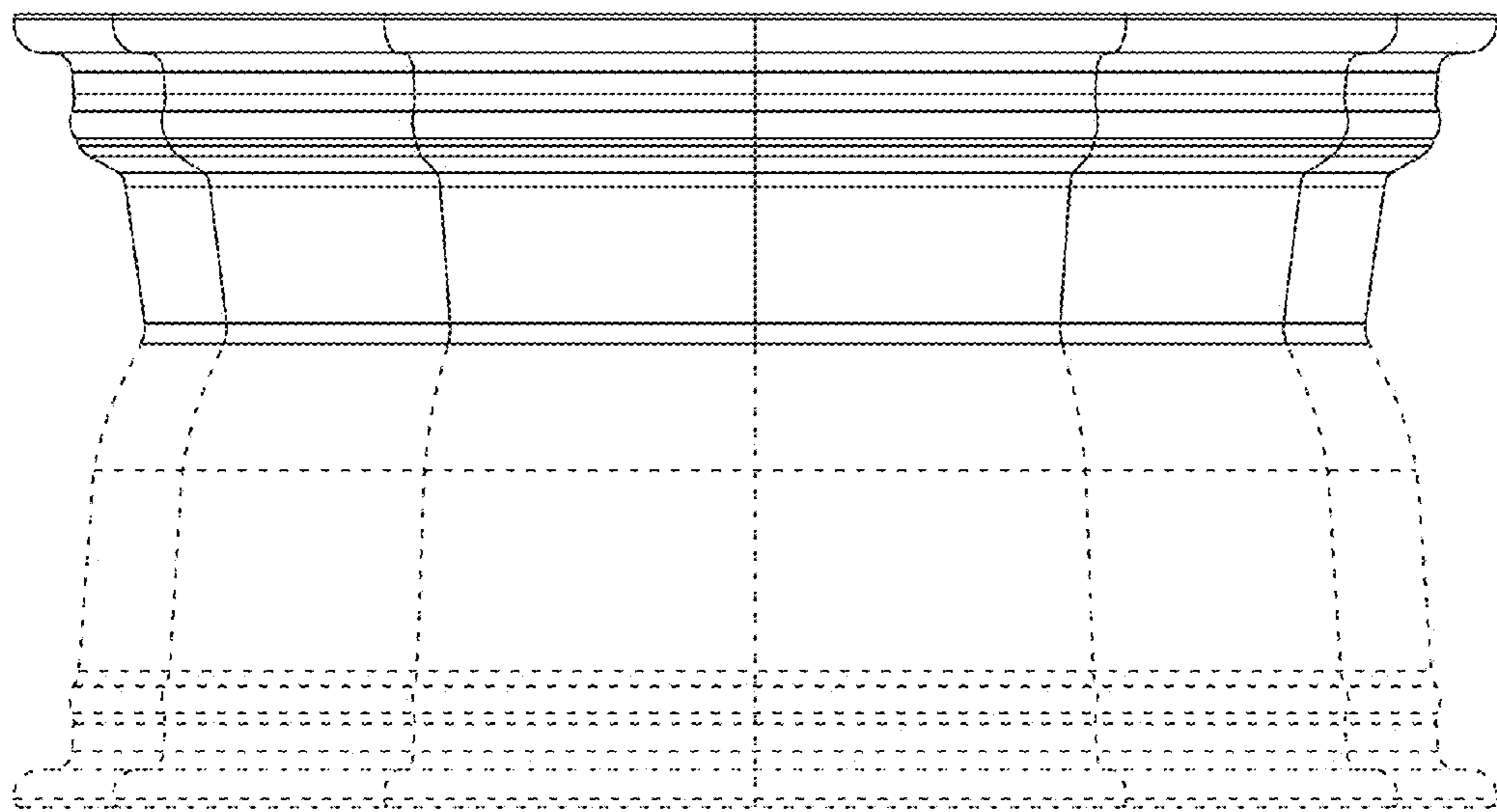


FIG. 6

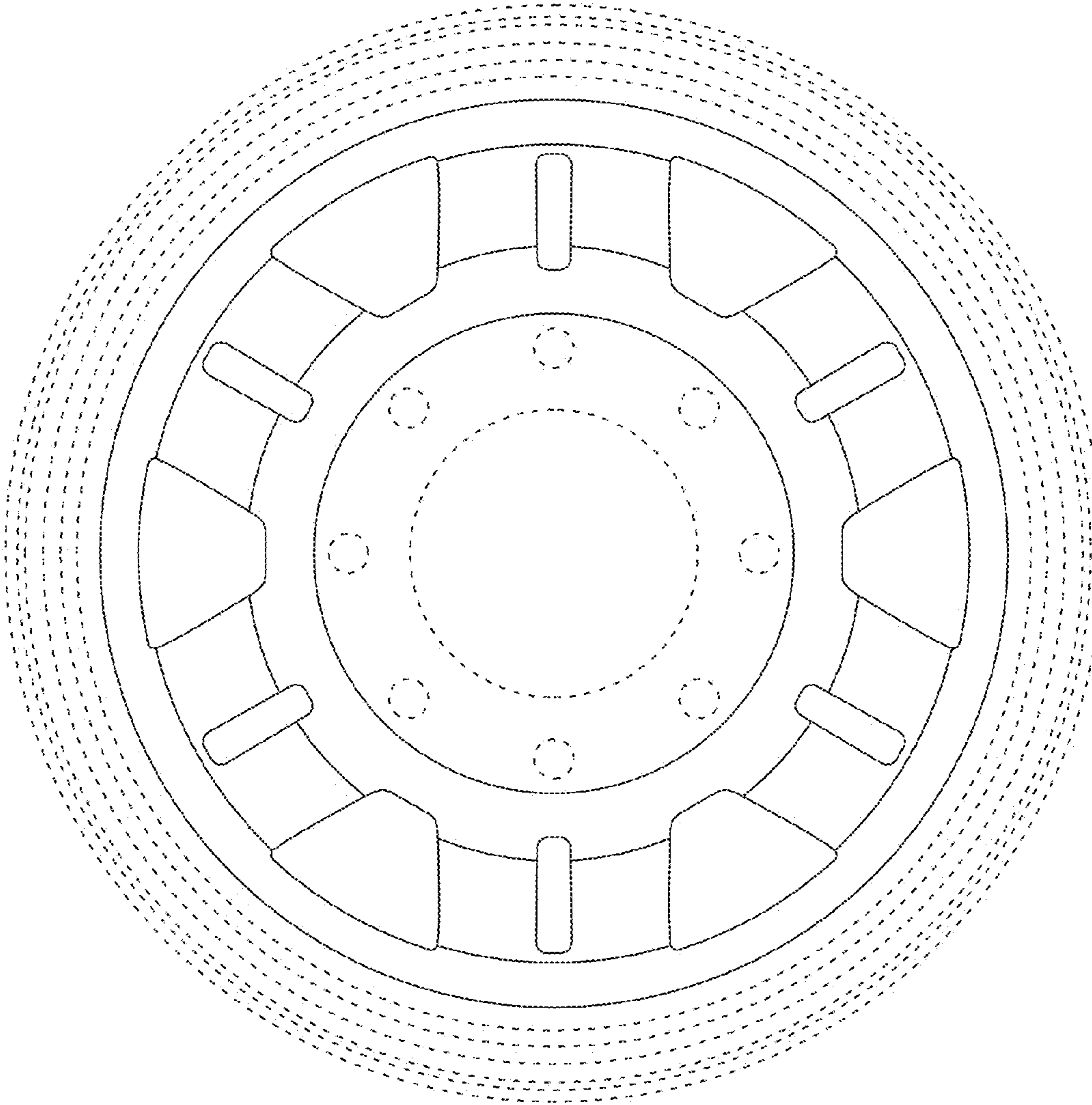


FIG. 7