



US00D742291S

(12) **United States Design Patent**
Sharma

(10) **Patent No.:** **US D742,291 S**

(45) **Date of Patent:** **** Nov. 3, 2015**

(54) **REARVIEW MIRROR**

(71) Applicant: **Sumeet Kumar Sharma**, Pearland, TX
(US)

(72) Inventor: **Sumeet Kumar Sharma**, Pearland, TX
(US)

(**) Term: **14 Years**

(21) Appl. No.: **29/495,258**

(22) Filed: **Jun. 29, 2014**

(51) **LOC (10) Cl.** **12-16**

(52) **U.S. Cl.**
USPC **D12/187**

(58) **Field of Classification Search**
USPC D12/187, 188, 189; D6/300, 309
CPC B60R 1/076; G02B 5/08; G02B 7/182;
G02B 7/18
See application file for complete search history.

(56) **References Cited**

U.S. PATENT DOCUMENTS

- D451,869 S * 12/2001 Knapp et al. D12/187
- D498,446 S * 11/2004 Bradley D12/187
- D499,678 S * 12/2004 Bradley D12/187
- D556,105 S * 11/2007 Carter et al. D12/187

- D556,106 S * 11/2007 Carter et al. D12/187
- D659,617 S * 5/2012 Brockington et al. D12/187
- D712,325 S * 9/2014 Bohanan et al. D12/187
- D724,508 S * 3/2015 Bohanan et al. D12/187
- D724,509 S * 3/2015 Bohanan et al. D12/187

* cited by examiner

Primary Examiner — Katrina A Betton

(74) *Attorney, Agent, or Firm* — Matthew Zarghouni;
Fomby & Zarghouni LLC

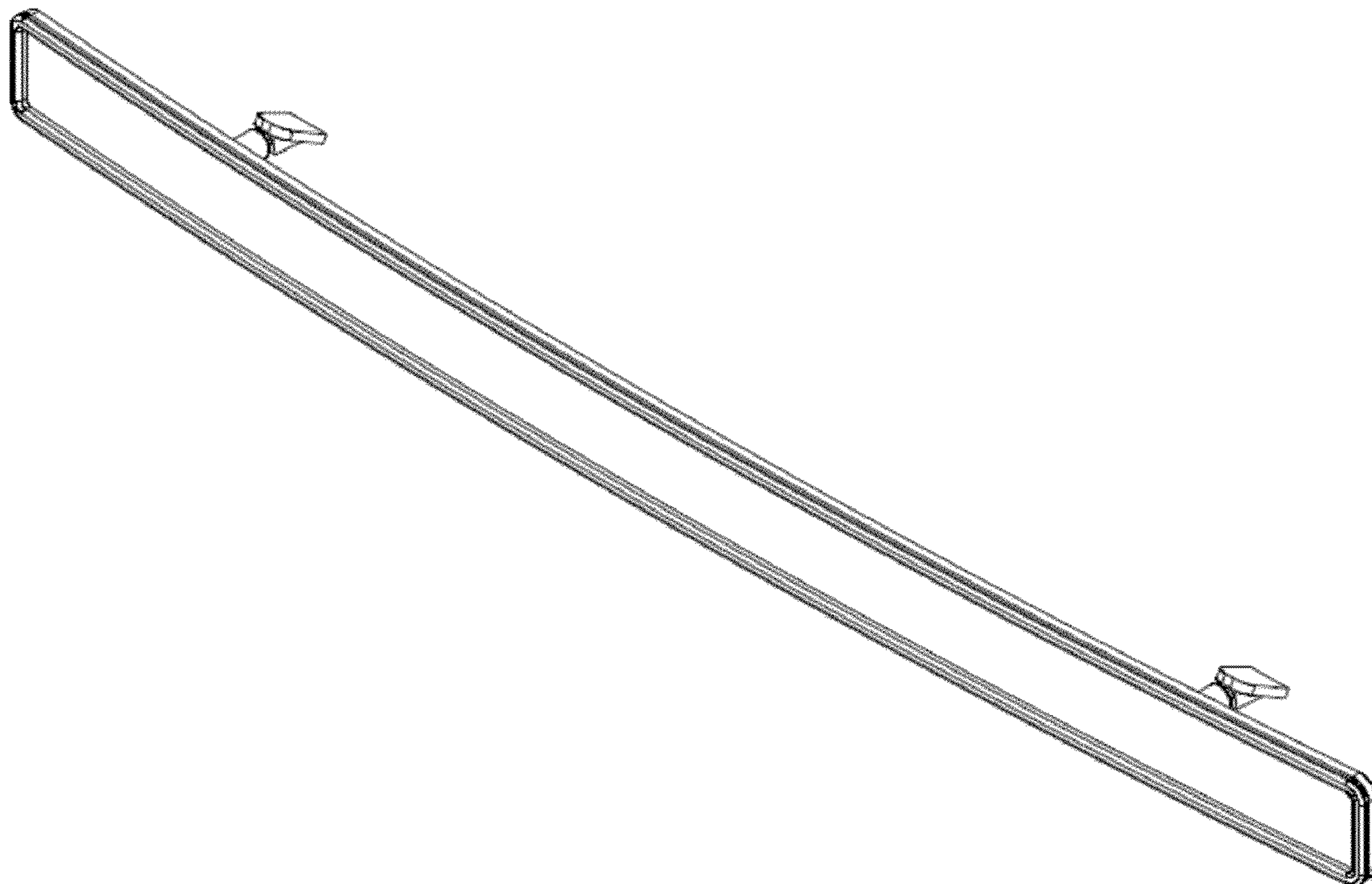
(57) **CLAIM**

I claim the ornamental design for a rearview mirror, as shown and described.

DESCRIPTION

FIG. 1 is a perspective view of a rearview mirror showing the new design;
 FIG. 2 is a front elevation view thereof;
 FIG. 3 is a rear elevation view thereof;
 FIG. 4 is a right side elevation view thereof;
 FIG. 5 is a left side elevation view thereof;
 FIG. 6 is a top plan view thereof; and,
 FIG. 7 is a bottom plan view thereof.
 The broken lines in FIGS. 1 through 7 define the bounds of the claim and form no part thereof.

1 Claim, 7 Drawing Sheets



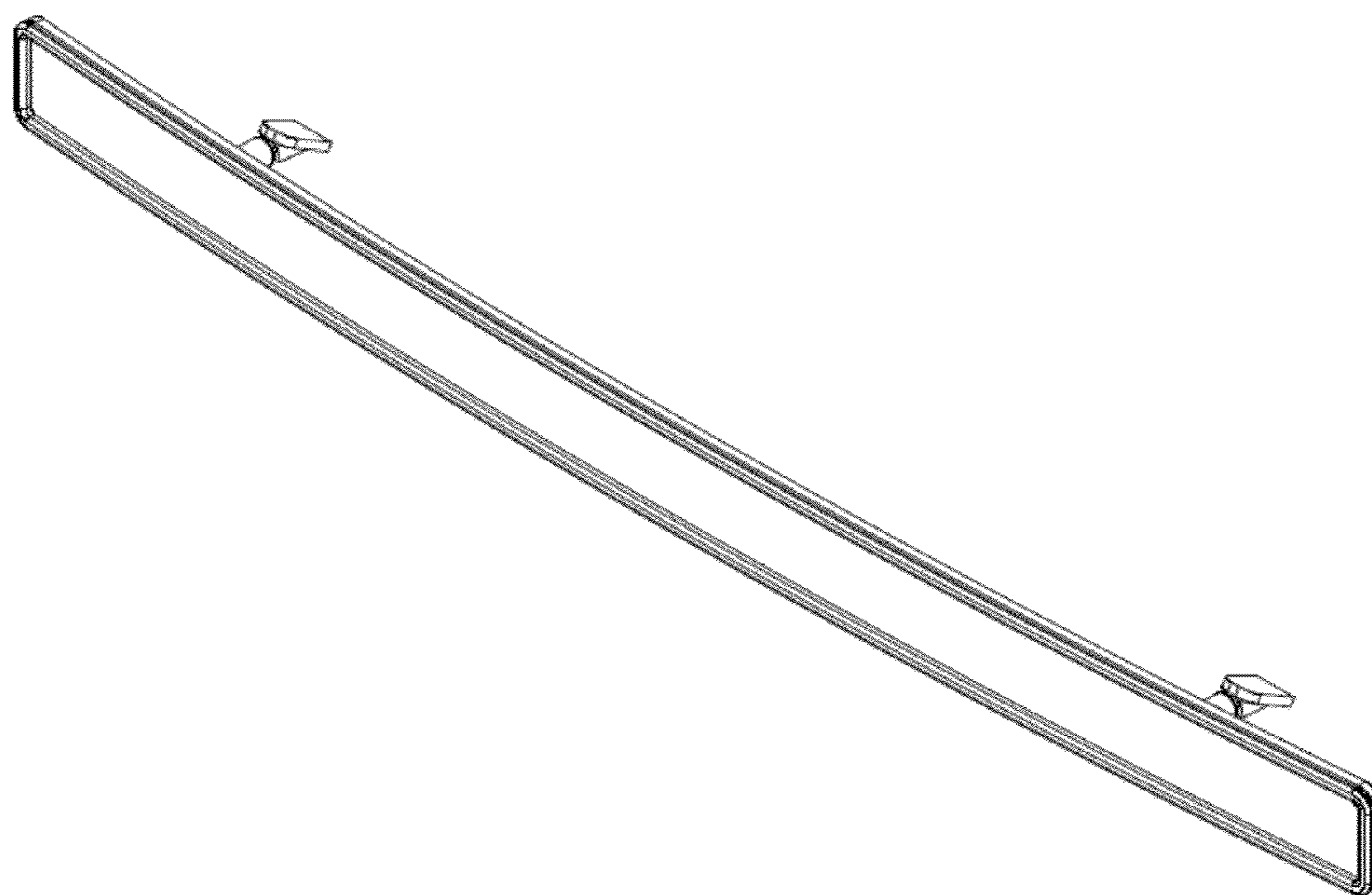


FIG. 1



FIG. 2

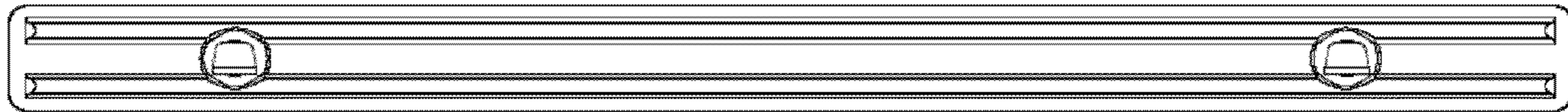


FIG. 3

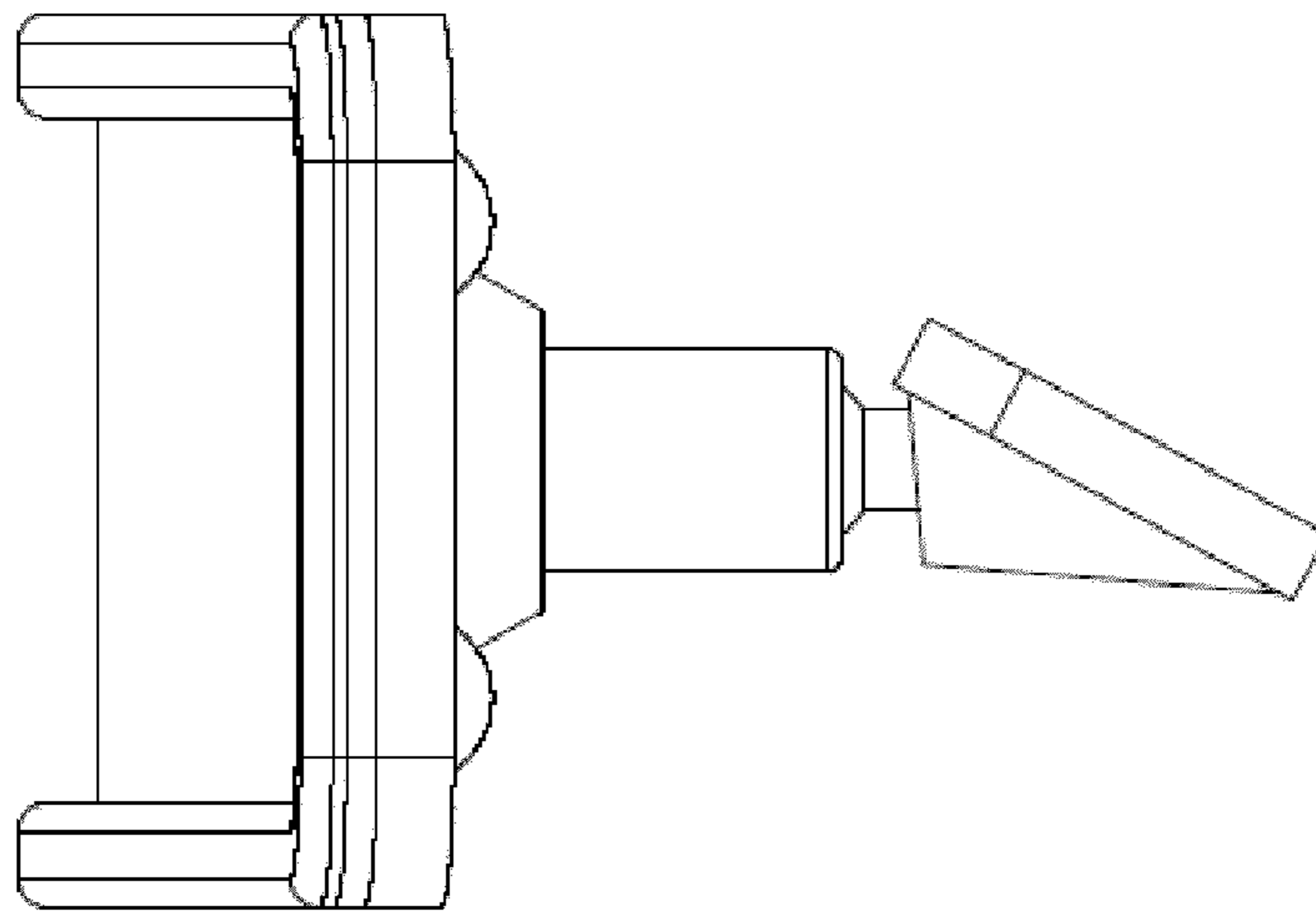


FIG. 4

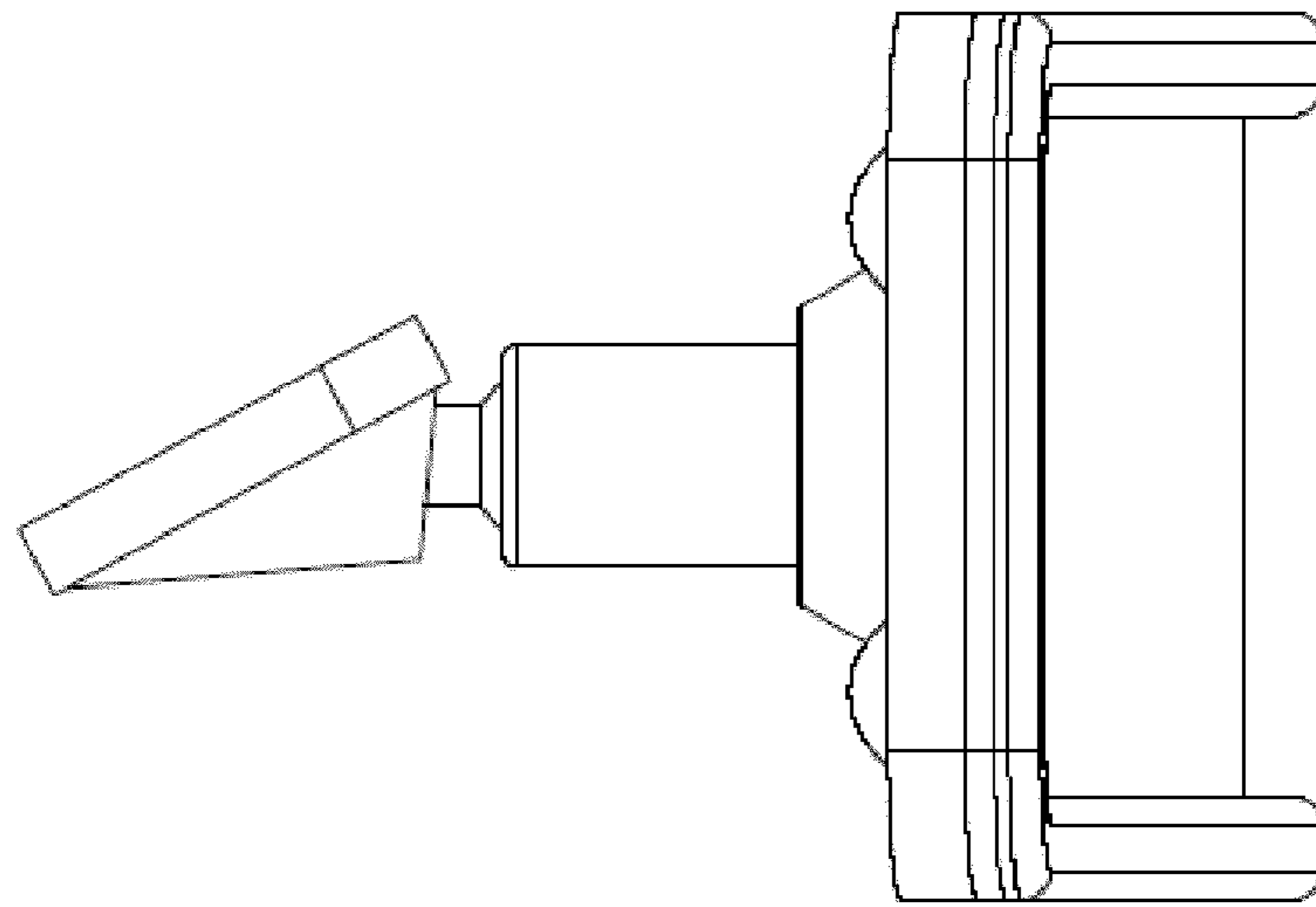


FIG. 5



FIG. 6



FIG. 7