



US00D742290S

(12) **United States Design Patent**
Tachiiri et al.

(10) **Patent No.:** **US D742,290 S**
(45) **Date of Patent:** **** Nov. 3, 2015**

(54) **OPERATION DEVICE FOR VEHICLE EQUIPMENT**

FOREIGN PATENT DOCUMENTS

JP 2013-082358 5/2013
WO WO 2014/167777 10/2014

(71) Applicant: **DENSO CORPORATION**, Kariya, Aichi-pref. (JP)

OTHER PUBLICATIONS

U.S. Appl. No. 29/469,327, filed Oct. 9, 2013, Tachiiri et al.
(Continued)

(72) Inventors: **Motoki Tachiiri**, Nagoya (JP); **Yasuhiko Yamazaki**, Nagoya (JP)

(73) Assignee: **DENSO CORPORATION**, Kariya, Aichi-pref.

Primary Examiner — Philip S Hyder
Assistant Examiner — Darlington Ly
(74) *Attorney, Agent, or Firm* — Harness, Dickey & Pierce, P.L.C.

(**) Term: **14 Years**

(57) **CLAIM**
The ornamental design for an operation device for vehicle equipment, as shown and described.

(21) Appl. No.: **29/483,991**

DESCRIPTION

(22) Filed: **Mar. 5, 2014**

(30) **Foreign Application Priority Data**

Sep. 6, 2013 (JP) 2013-020747

(51) **LOC (10) Cl.** **12-16**

(52) **U.S. Cl.**
USPC **D12/174**

(58) **Field of Classification Search**
USPC D12/174, 179, 400, 606; D14/117.1, D14/117.2, 117.4, 117.9, 412-416, 302; D21/324, 328, 333, 565, 566; D8/303; 74/335, 473.1, 473 R, 475, 489, 502.2, 74/523, 551.8, 551.9; 200/43.17, 61.28, 200/61.91; 340/426.16, 456, 825.69, 340/825.72; 341/173
See application file for complete search history.

FIG. 1 is a front elevation view of an operation device for vehicle equipment showing our new design;
FIG. 2 is a rear elevation view thereof;
FIG. 3 is a top plan view thereof;
FIG. 4 is a bottom plan view thereof;
FIG. 5 is a left side elevation view thereof;
FIG. 6 is a right side elevation view thereof;
FIG. 7 is a front, bottom, and right side perspective view thereof;
FIG. 8 is a front, top, and left side perspective view thereof; and,
FIG. 9 is a front, top, and left side perspective view thereof, wherein the operation device is shown in use and attached to a vehicle.
The article of the present design relates to an operation device for a vehicle equipment. For example, the operation device may be attached to a predetermined portion of a vehicle, and may be used for remotely operating a vehicle equipment such as a navigation device, an air conditioner, various audio devices or the like. As an example, the operation device may be attached to a console of the vehicle, as shown in FIG. 9.
The uniform broken lines shown in the drawings illustrate portions of the operation device for vehicle equipment that form no part of the claimed design. The broken lines in dash-dot form are provided to indicate the boundaries for a contrast in color of the surface. Neither the dash-dot broken lines nor a particular color are included in the claimed design.

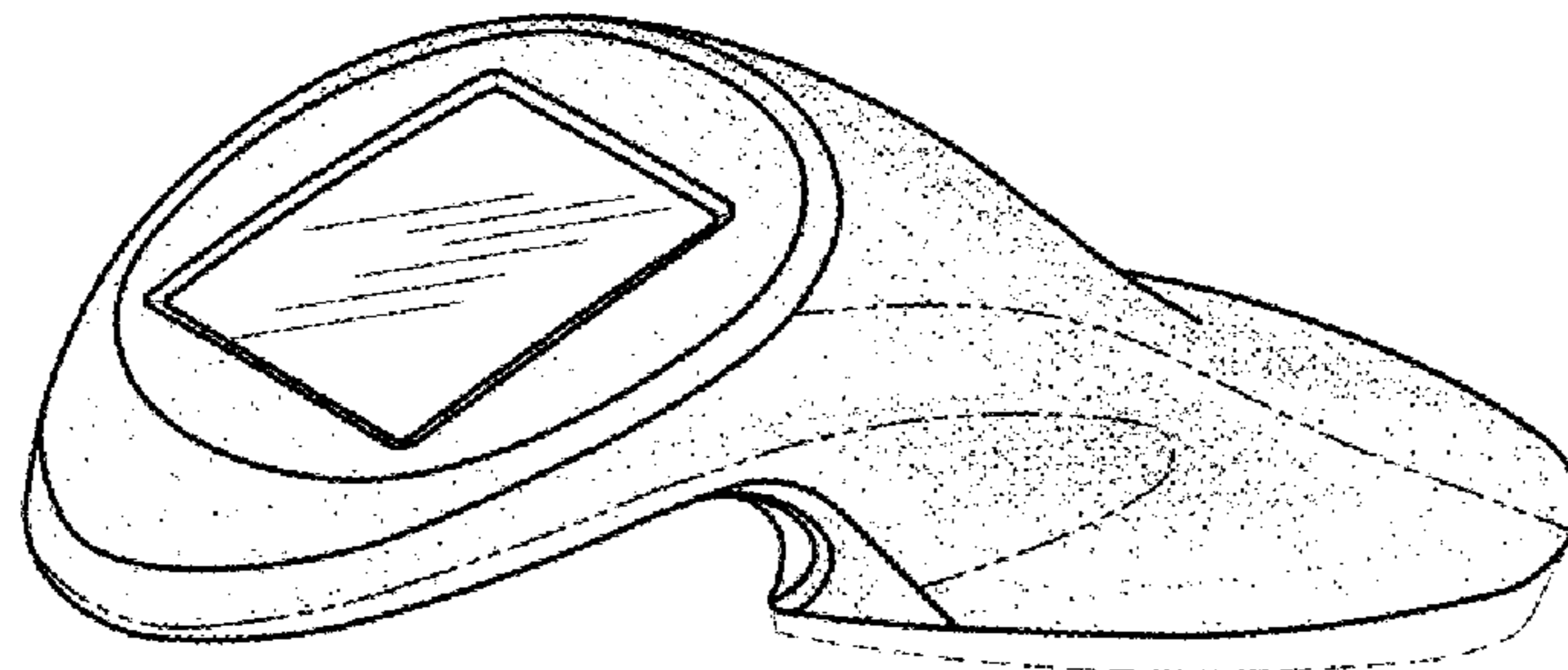
(56) **References Cited**

U.S. PATENT DOCUMENTS

D212,728 S * 11/1968 Shimano D12/179
4,818,008 A * 4/1989 Cressoni 296/37.8

(Continued)

1 Claim, 5 Drawing Sheets



(56)

References Cited

U.S. PATENT DOCUMENTS

5,085,481	A *	2/1992	Fluharty et al.	296/37.8
D340,042	S *	10/1993	Copper et al.	D14/388
D567,243	S *	4/2008	Ashida et al.	D14/412
7,571,663	B2 *	8/2009	Vigil	74/473.3
D618,334	S *	6/2010	Le et al.	D24/108
D626,517	S *	11/2010	Yano	D13/168
8,025,327	B1 *	9/2011	Schowalter	296/70
D656,438	S *	3/2012	Klatt et al.	D12/179
8,196,490	B2 *	6/2012	Kim	74/473.11
D691,217	S *	10/2013	Condon et al.	D21/566
2006/0037424	A1 *	2/2006	Pickering et al.	74/473.3

OTHER PUBLICATIONS

U.S. Appl. No. 29/483,985, filed Mar. 5, 2014, Tachiiri et al.
U.S. Appl. No. 29/483,997, filed Mar. 5, 2014, Tachiiri et al.
U.S. Appl. No. 29/484,005, filed Mar. 5, 2014, Tachiiri et al.
U.S. Appl. No. 29/484,012, filed Mar. 5, 2014, Tachiiri et al.
U.S. Appl. No. 29/484,017, filed Mar. 5, 2014, Tachiiri et al.

Office action dated Jul. 15, 2014 in related U.S. Appl. No. 29/483,985.
Office action dated Jul. 14, 2014 in related U.S. Appl. No. 29/483,997.
Office action dated Jul. 16, 2014 in related U.S. Appl. No. 29/484,005.
Office action dated Jul. 16, 2014 in related U.S. Appl. No. 29/484,012.
Office action dated Jul. 16, 2014 in related U.S. Appl. No. 29/484,017.
Office Action dated Jan. 12, 2015 in corresponding U.S. Appl. No. 29/483,985.
Office Action dated Jan. 27, 2015 in corresponding U.S. Appl. No. 29/483,997.
Office Action dated Jan. 26, 2015 in corresponding U.S. Appl. No. 29/484,005.
Office Action dated Feb. 05, 2015 in corresponding U.S. Appl. No. 29/484,012.
Office Action dated Jan. 27, 2015 in corresponding U.S. Appl. No. 29/484,017.

* cited by examiner

FIG - 1

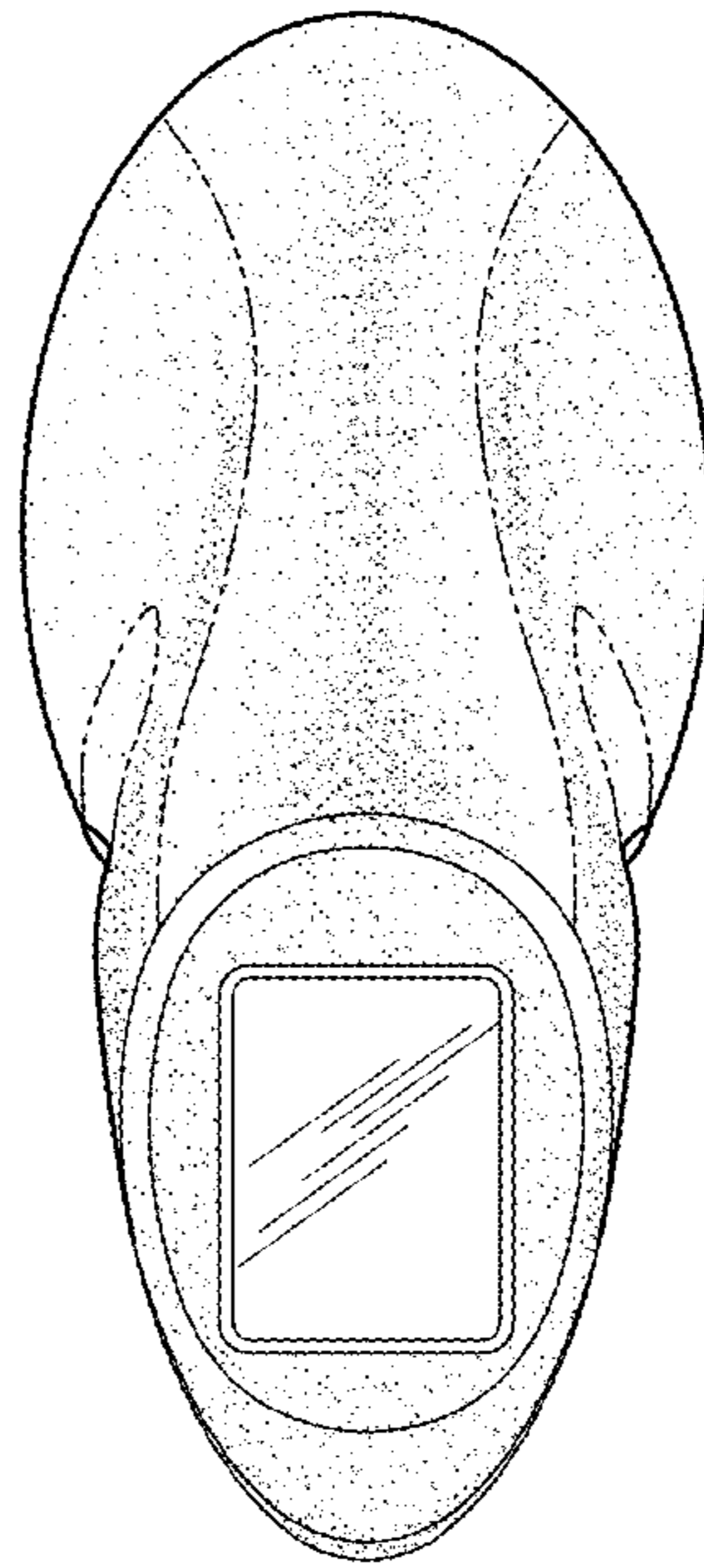


FIG - 2

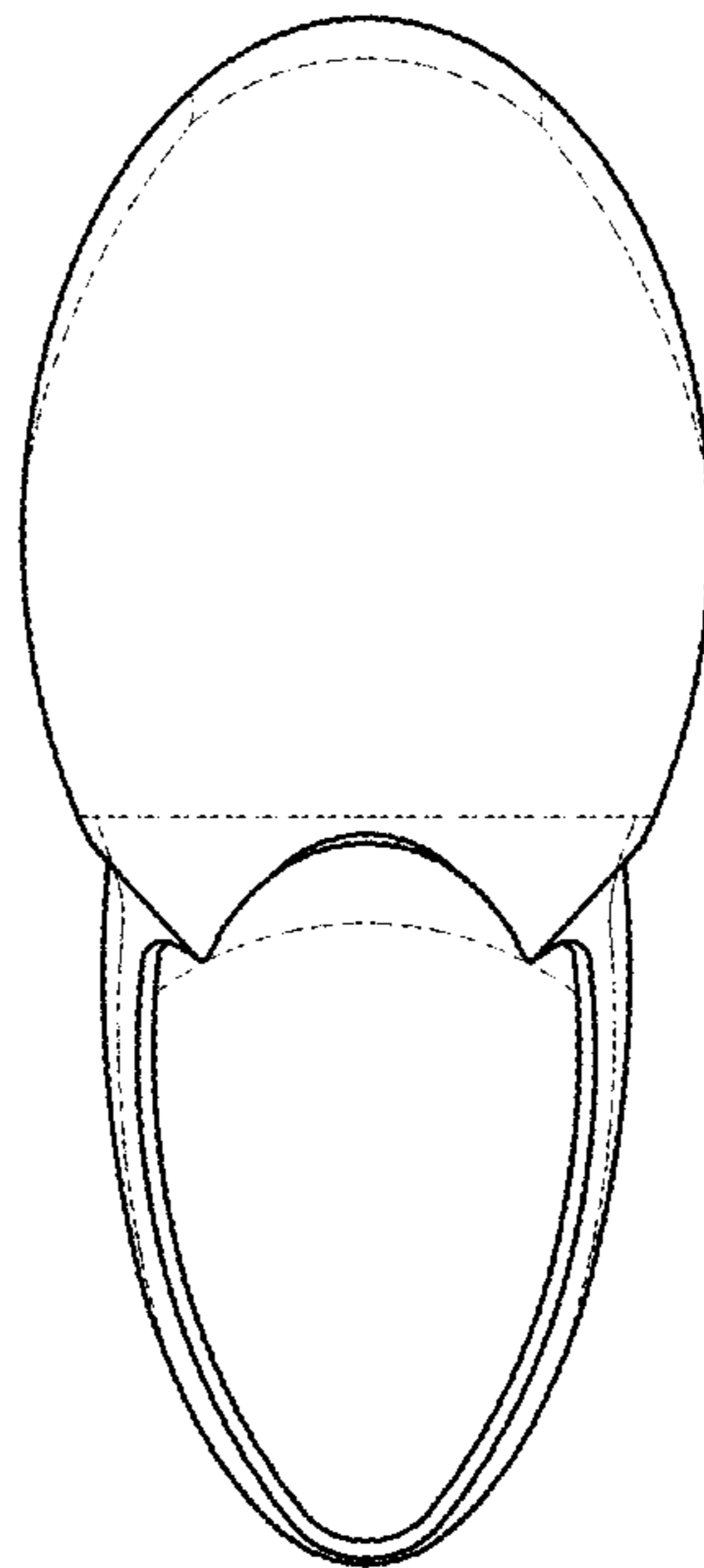


FIG - 3

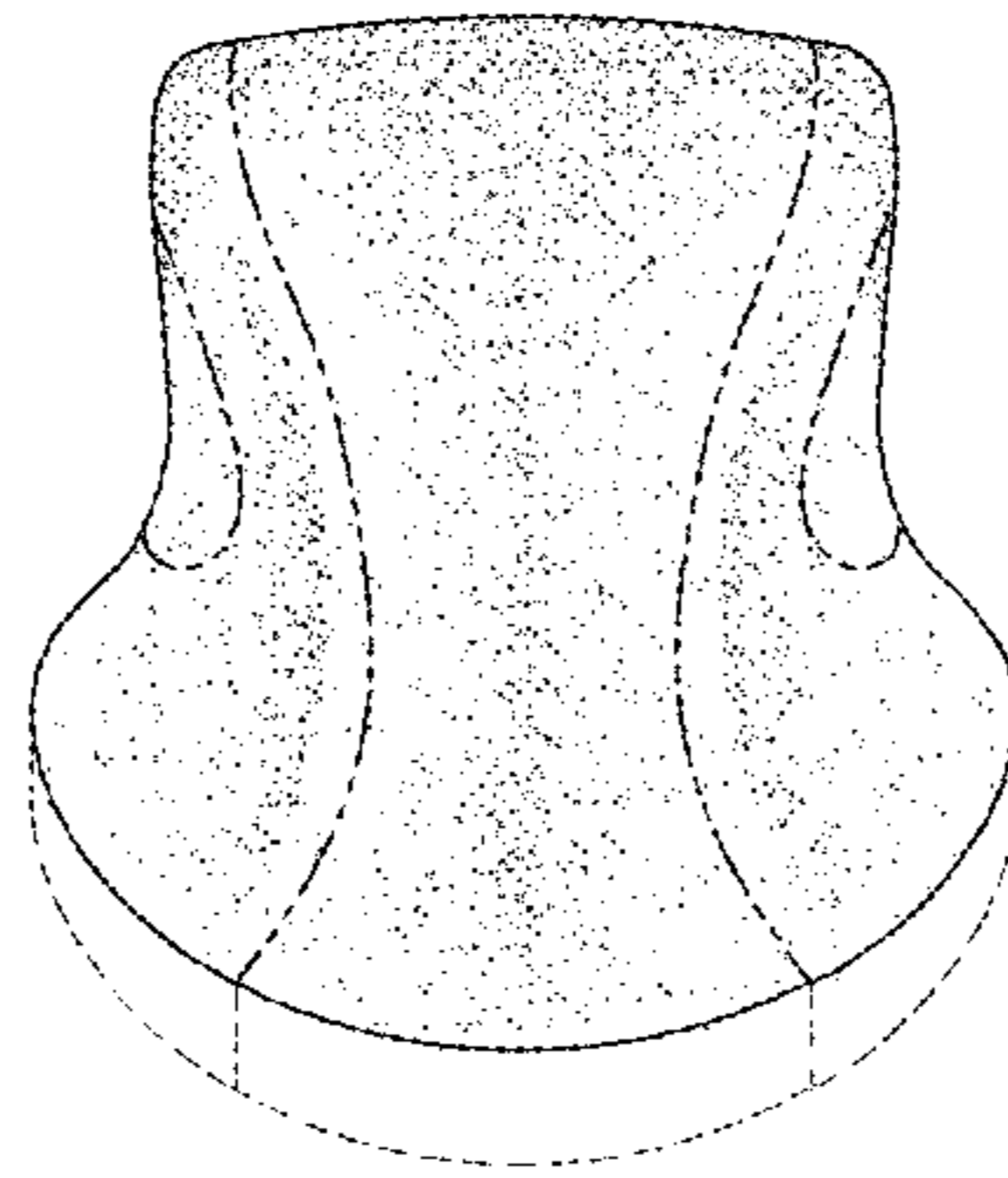


FIG - 4

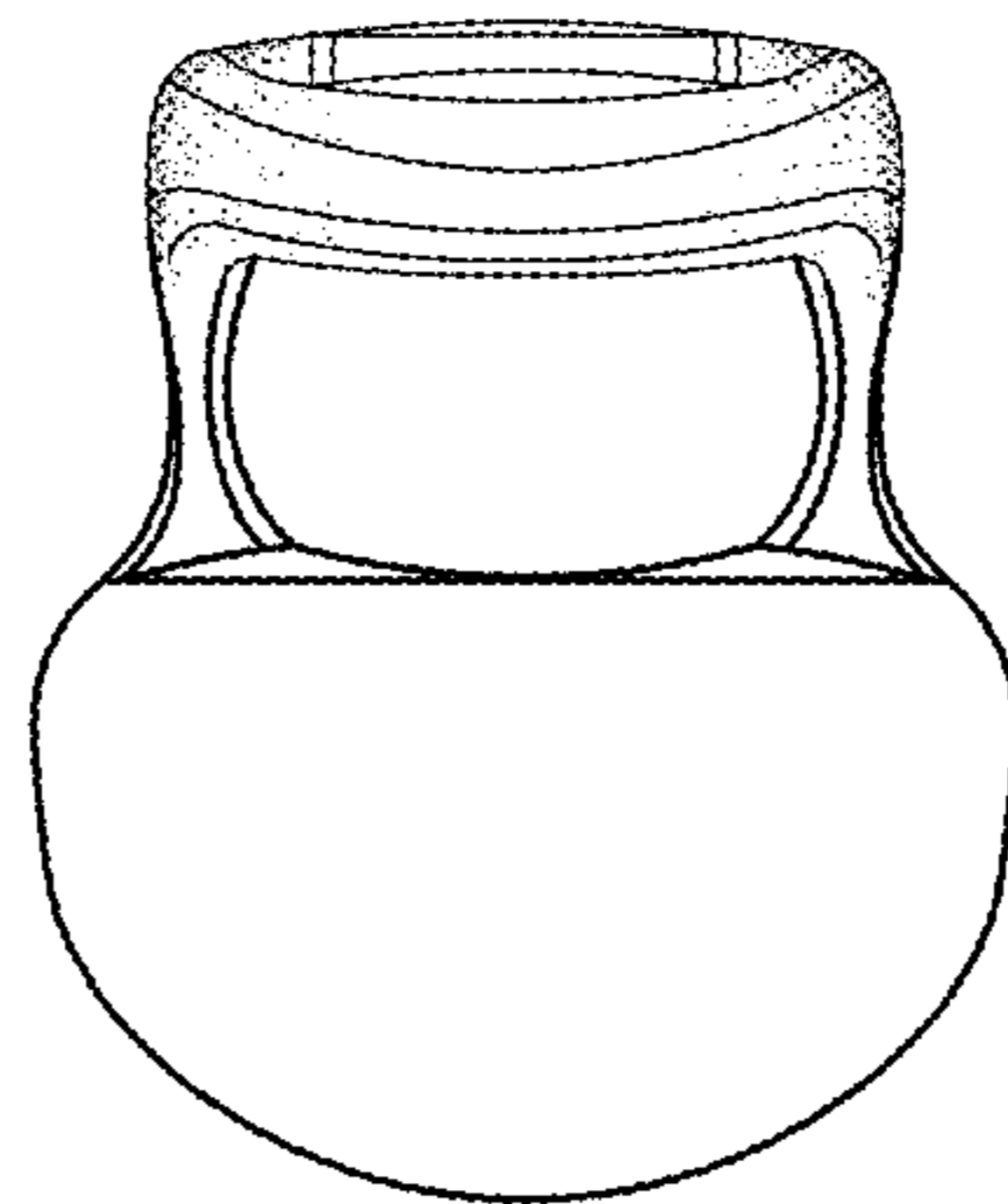


FIG - 5

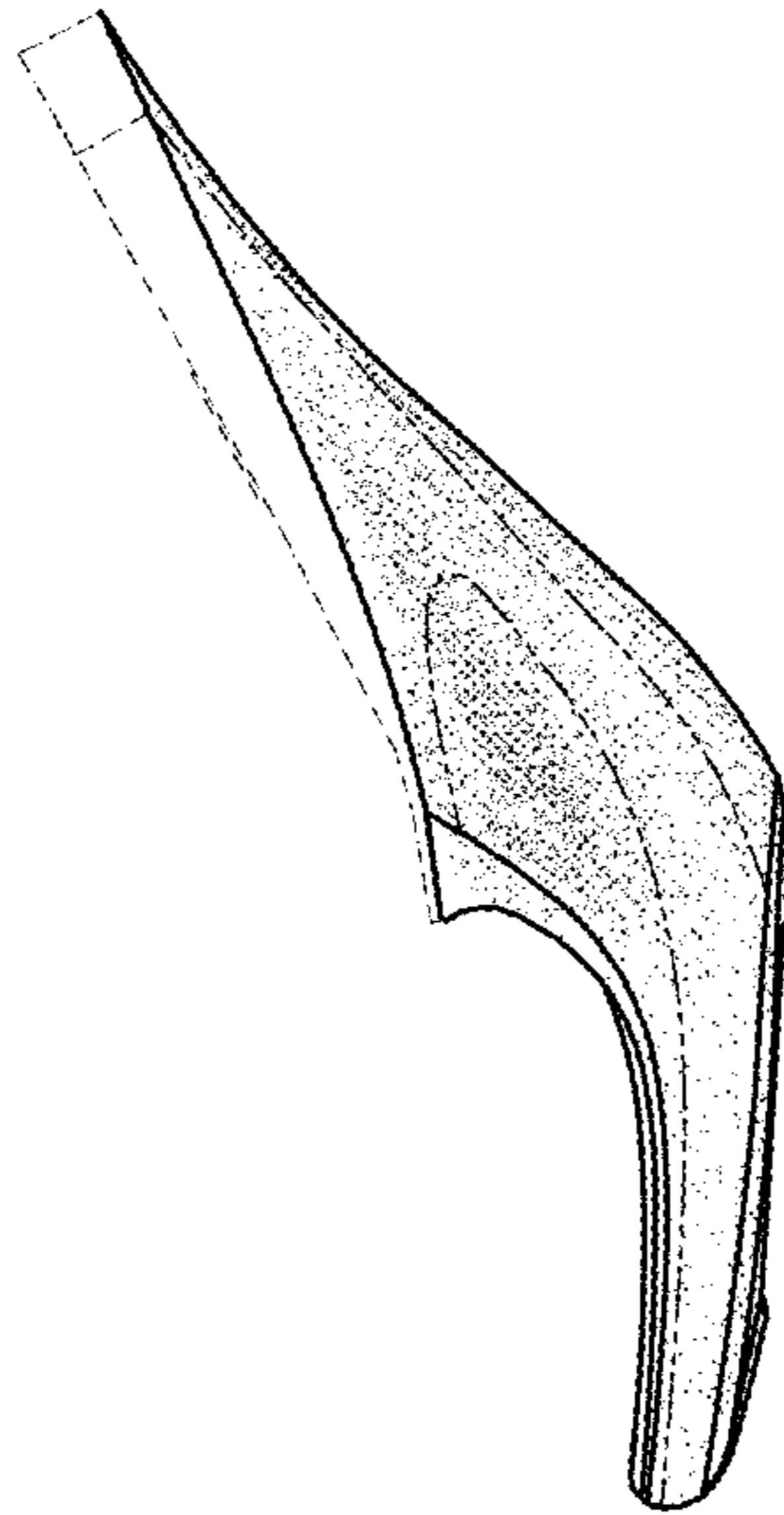


FIG - 6

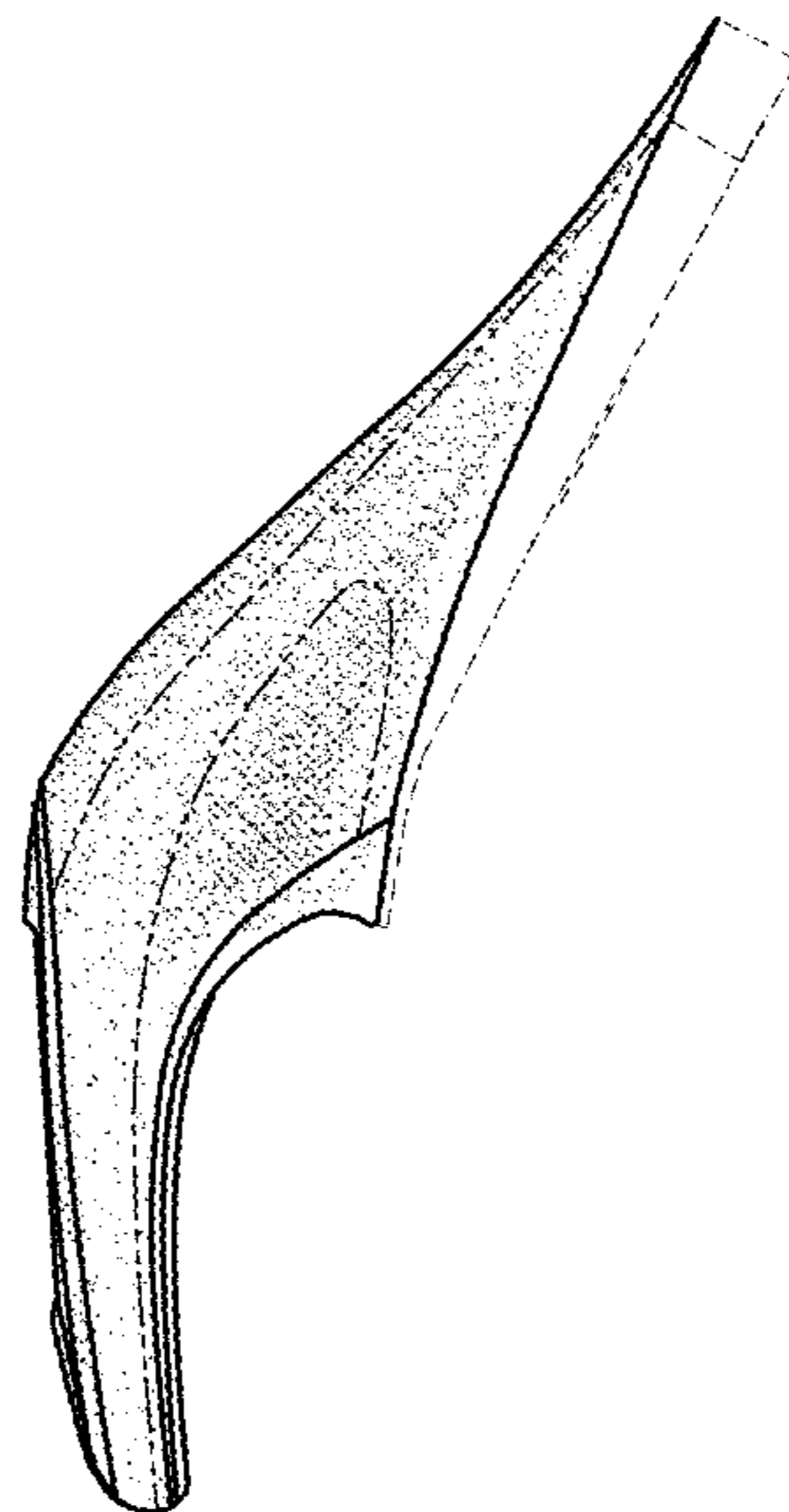


FIG - 7

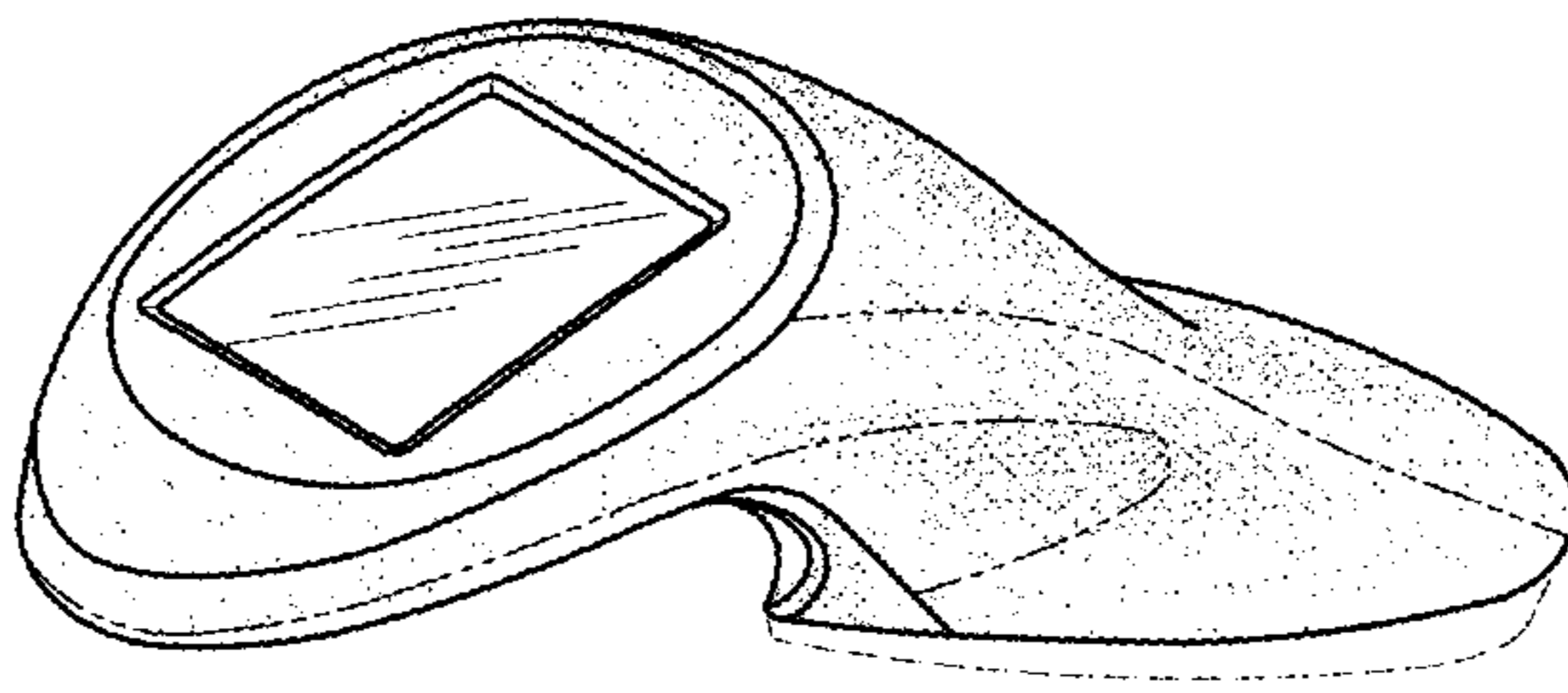
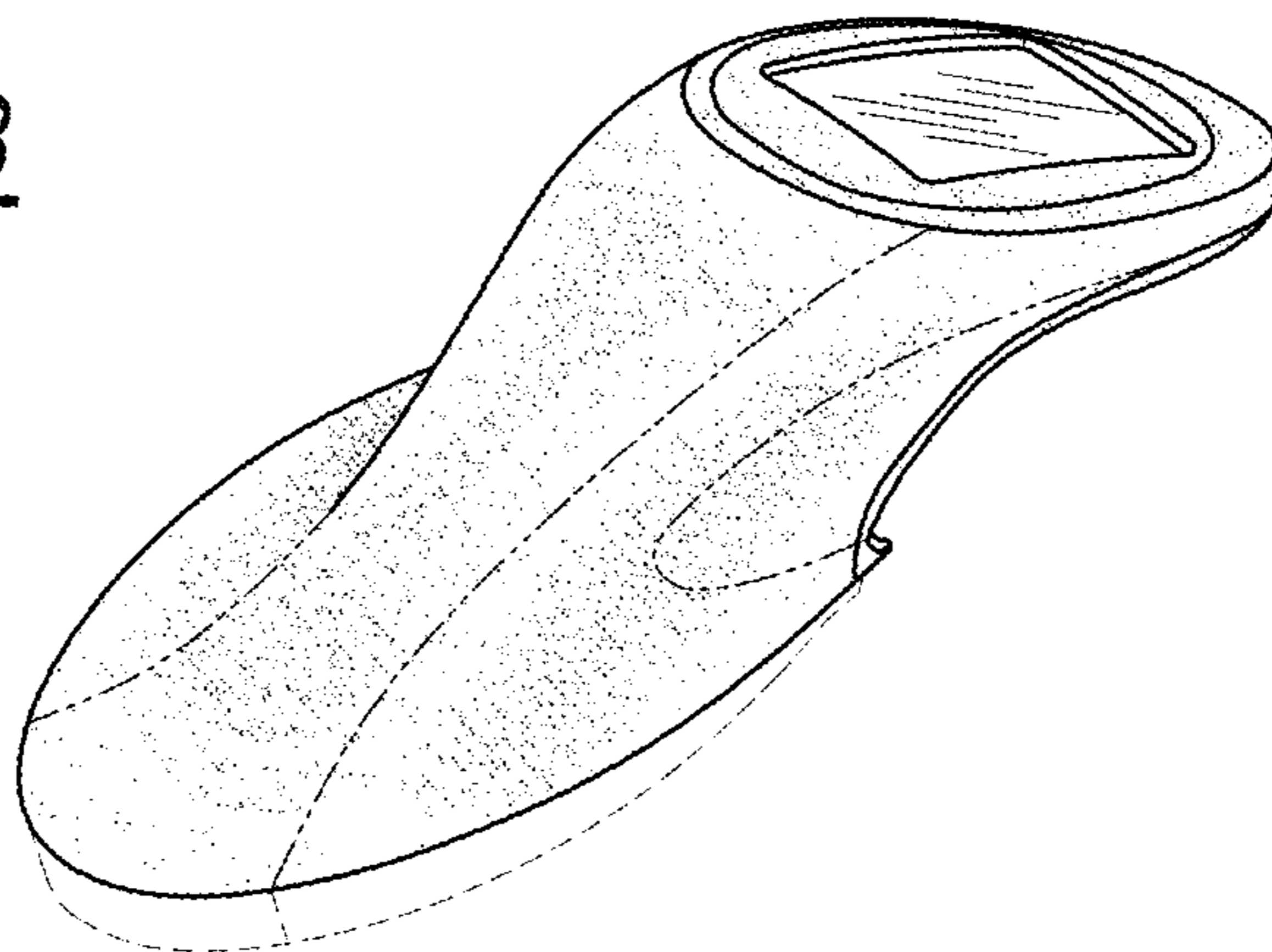


FIG - 8



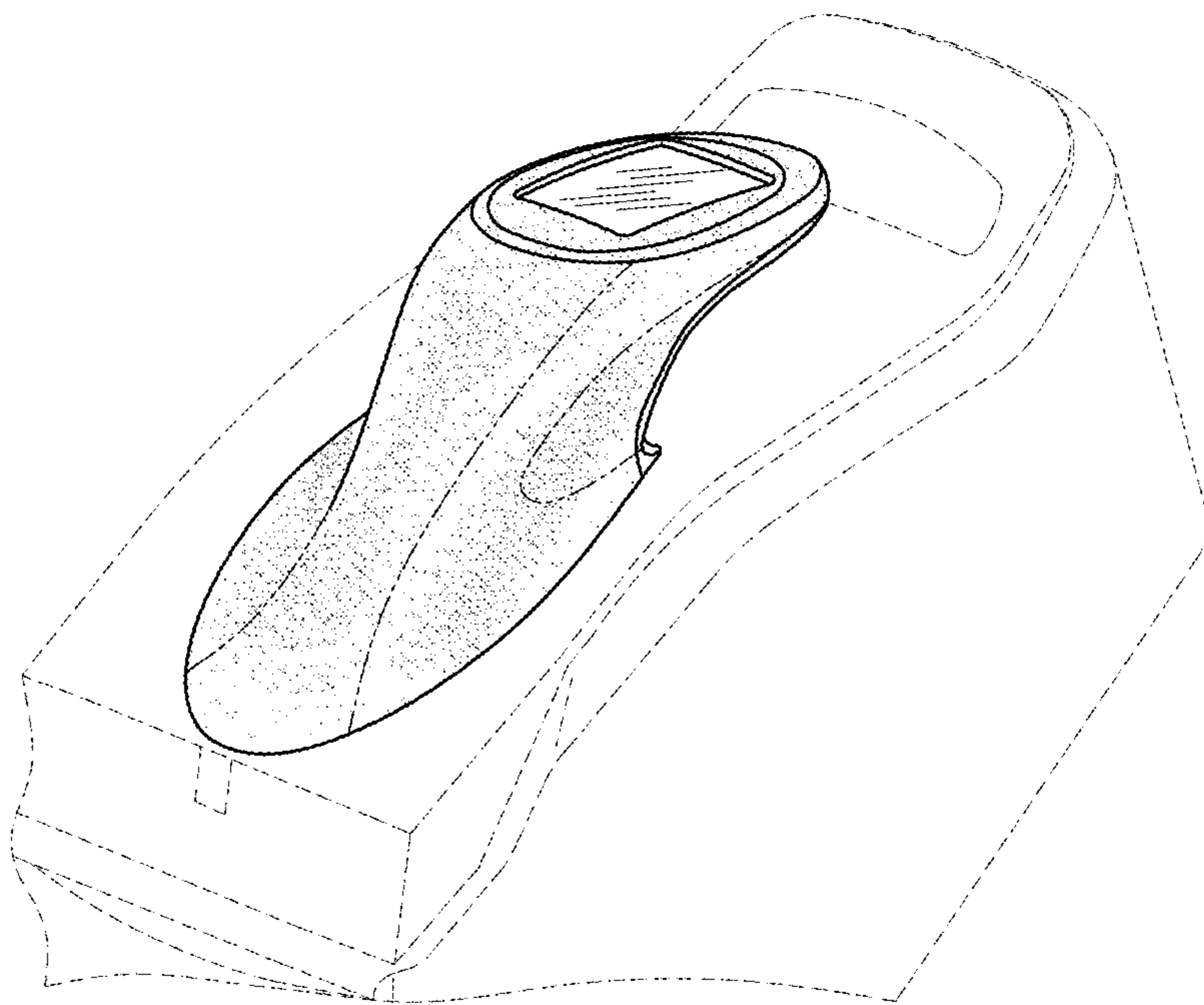


FIG - 9