



US00D742288S

(12) **United States Design Patent**  
**Murase**

(10) **Patent No.:** **US D742,288 S**  
(45) **Date of Patent:** **\*\* Nov. 3, 2015**

(54) **FRONT GRILL FOR AUTOMOBILE**

(71) Applicant: **Fuji Jukogyo Kabushiki Kaisha**, Tokyo (JP)

(72) Inventor: **Shinya Murase**, Tokyo (JP)

(73) Assignee: **Fuji Jukogyo Kabushiki Kaisha**, Tokyo (JP)

(\*\*) Term: **14 Years**

(21) Appl. No.: **29/494,876**

(22) Filed: **Jun. 25, 2014**

(30) **Foreign Application Priority Data**

Dec. 25, 2013 (JP) ..... 2013-030326

(51) **LOC (10) Cl.** ..... **12-16**

(52) **U.S. Cl.**  
USPC ..... **D12/163**

(58) **Field of Classification Search**  
USPC ..... D12/163, 196, 86, 90-92, 171, 169,  
D12/216; 180/68.1, 68.6; 293/193.11  
CPC ..... B62D 25/08; B62B 9/16; B60K 11/08;  
B60R 19/52  
See application file for complete search history.

(56) **References Cited**

**U.S. PATENT DOCUMENTS**

6,328,358 B1 \* 12/2001 Berweiler ..... 293/115  
7,152,915 B2 \* 12/2006 Diehl et al. .... 296/193.1

D538,716 S \* 3/2007 Hogios ..... D12/163  
D598,335 S \* 8/2009 George et al. .... D12/163  
D603,305 S \* 11/2009 Woolley et al. .... D12/163  
D604,210 S \* 11/2009 Kim ..... D12/163  
D630,975 S \* 1/2011 Sperling et al. .... D12/163  
D631,405 S \* 1/2011 Kuze ..... D12/163  
8,157,303 B2 \* 4/2012 Fortin ..... 293/115  
D664,480 S \* 7/2012 Platto et al. .... D12/163  
D678,140 S \* 3/2013 Hamilton et al. .... D12/169  
D680,920 S \* 4/2013 Jara ..... D12/163  
D698,705 S \* 2/2014 Rupa ..... D12/163  
D712,317 S \* 9/2014 George et al. .... D12/163  
D723,433 S \* 3/2015 George et al. .... D12/163  
D725,004 S \* 3/2015 Kobayashi ..... D12/163  
D731,923 S \* 6/2015 Tanaka ..... D12/91

\* cited by examiner

*Primary Examiner* — Melody N. Brown

(74) *Attorney, Agent, or Firm* — Schiff Hardin LLP

(57) **CLAIM**

We claim the ornamental design for a front grill for automobile thereof, as shown and described.

**DESCRIPTION**

FIG. 1 is a front perspective view for a “front grill for automobile” showing my new design,  
FIG. 2 is a rear perspective view thereof,  
FIG. 3 is a front view thereof,  
FIG. 4 is a rear view thereof,  
FIG. 5 is a left-side view thereof,  
FIG. 6 is a right-side view thereof,  
FIG. 7 is a top view thereof; and,  
FIG. 8 is a bottom view thereof.

**1 Claim, 8 Drawing Sheets**

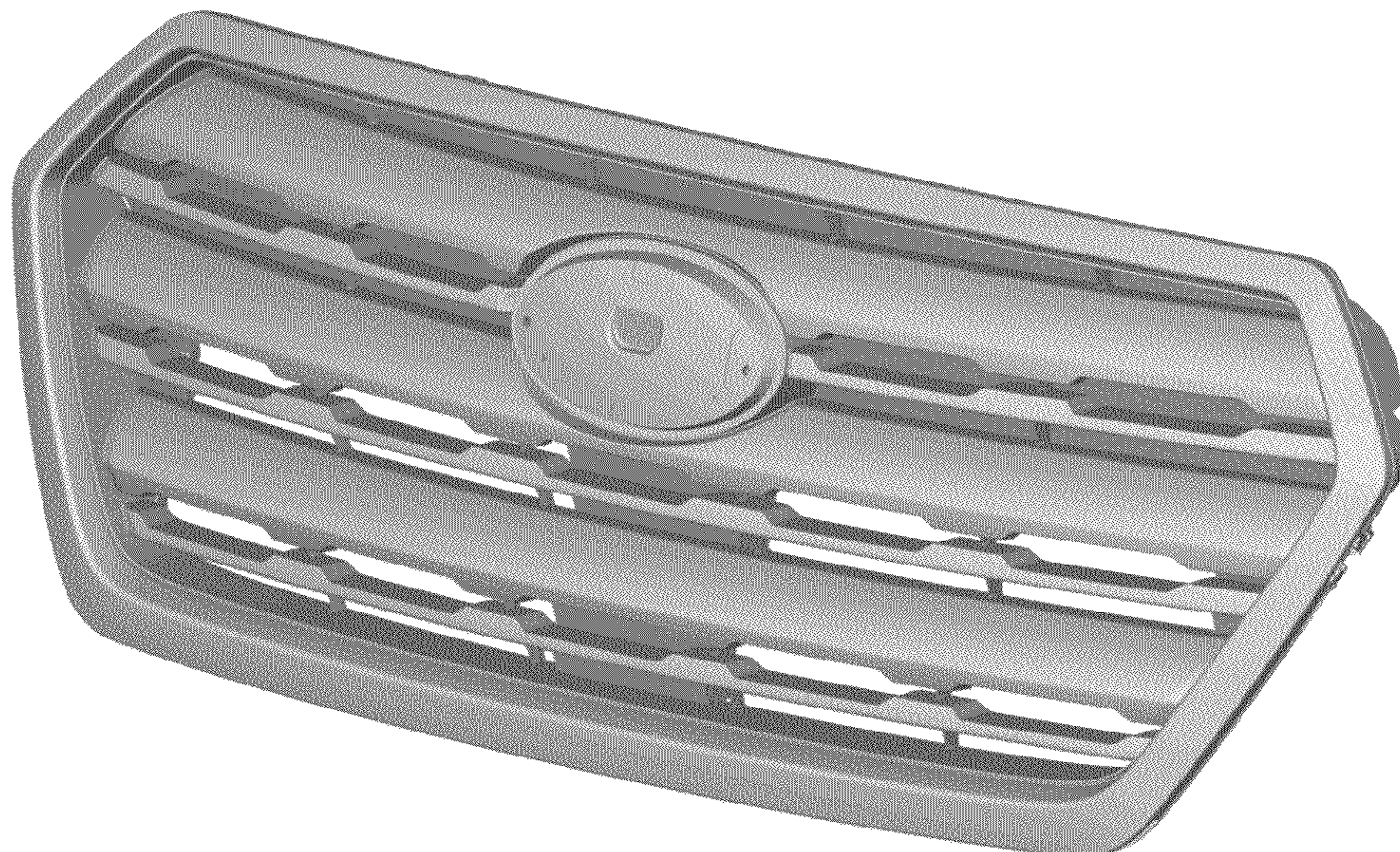




Fig. 1

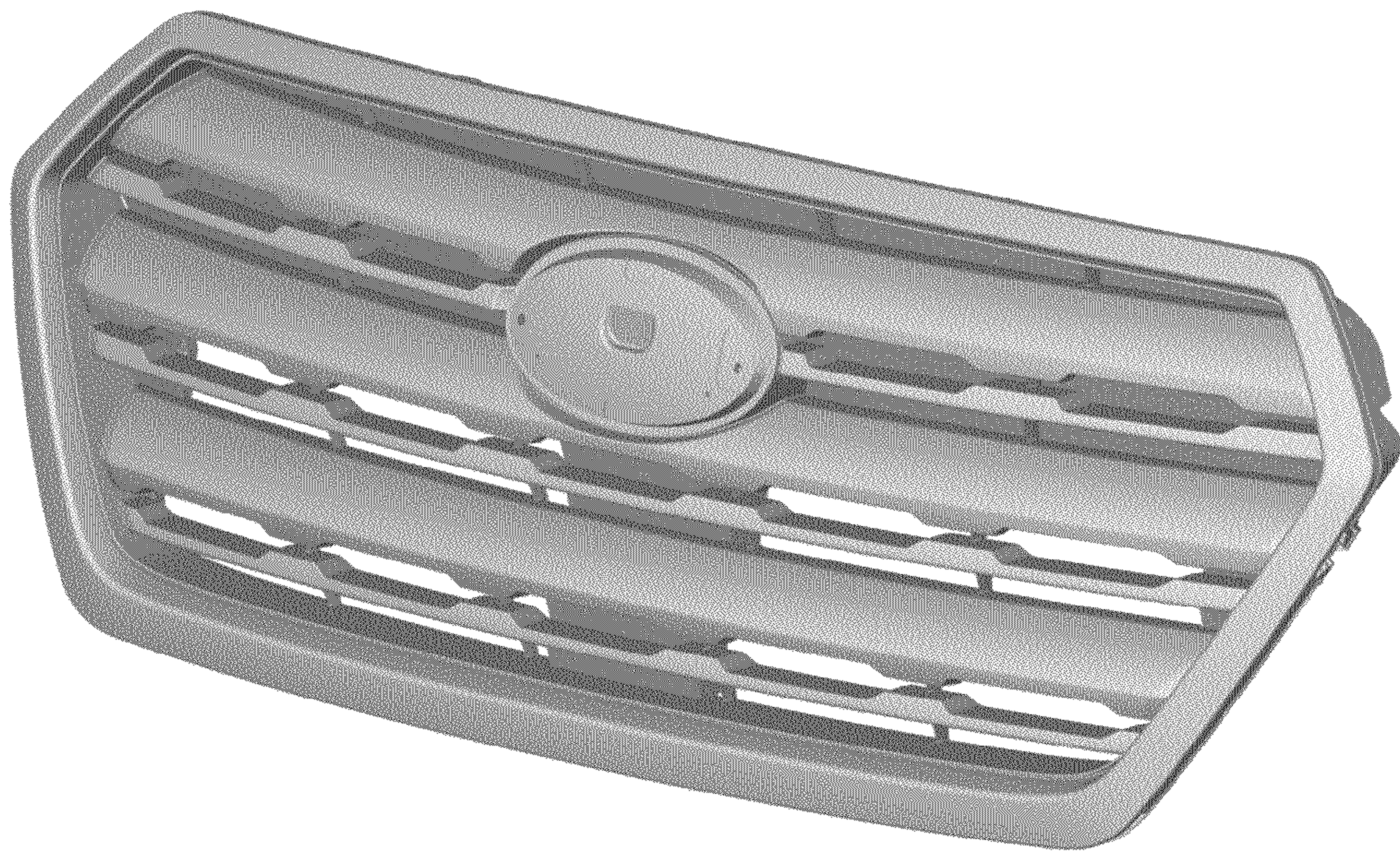




Fig. 2

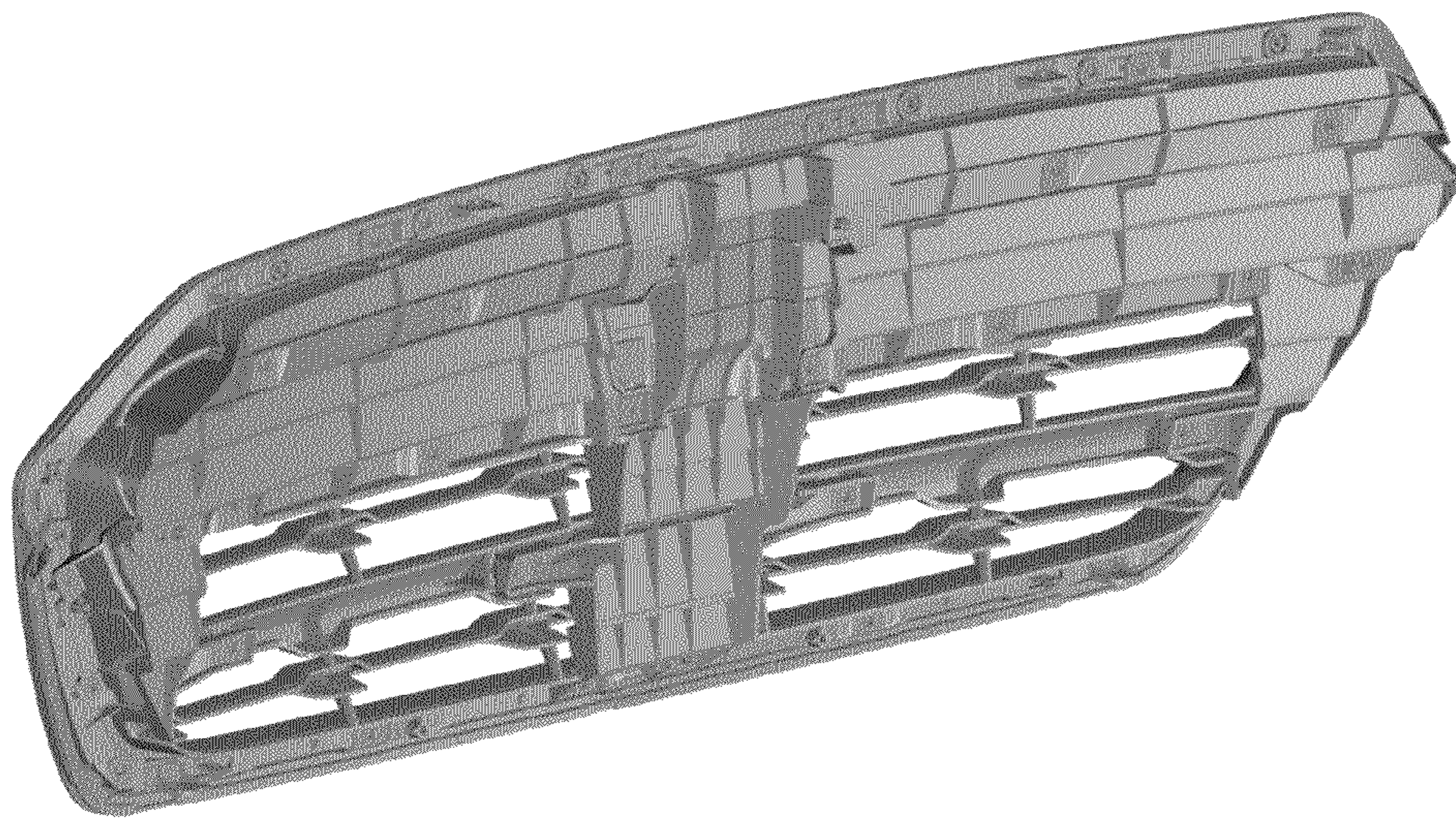




Fig. 3

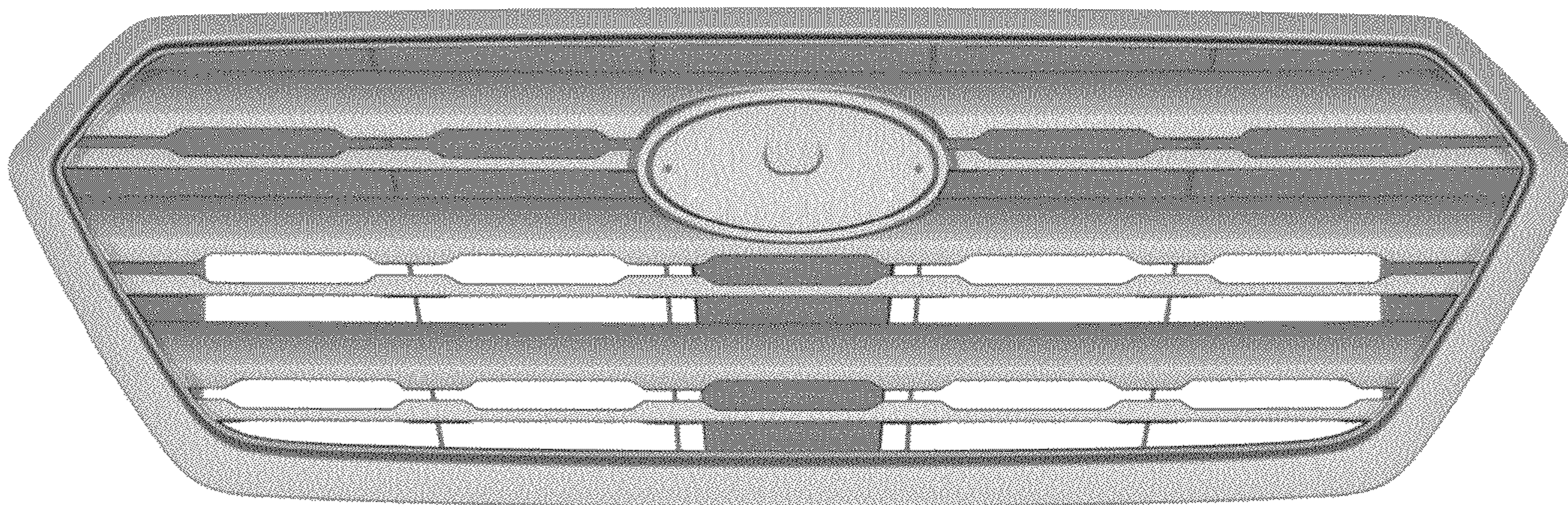




Fig. 4

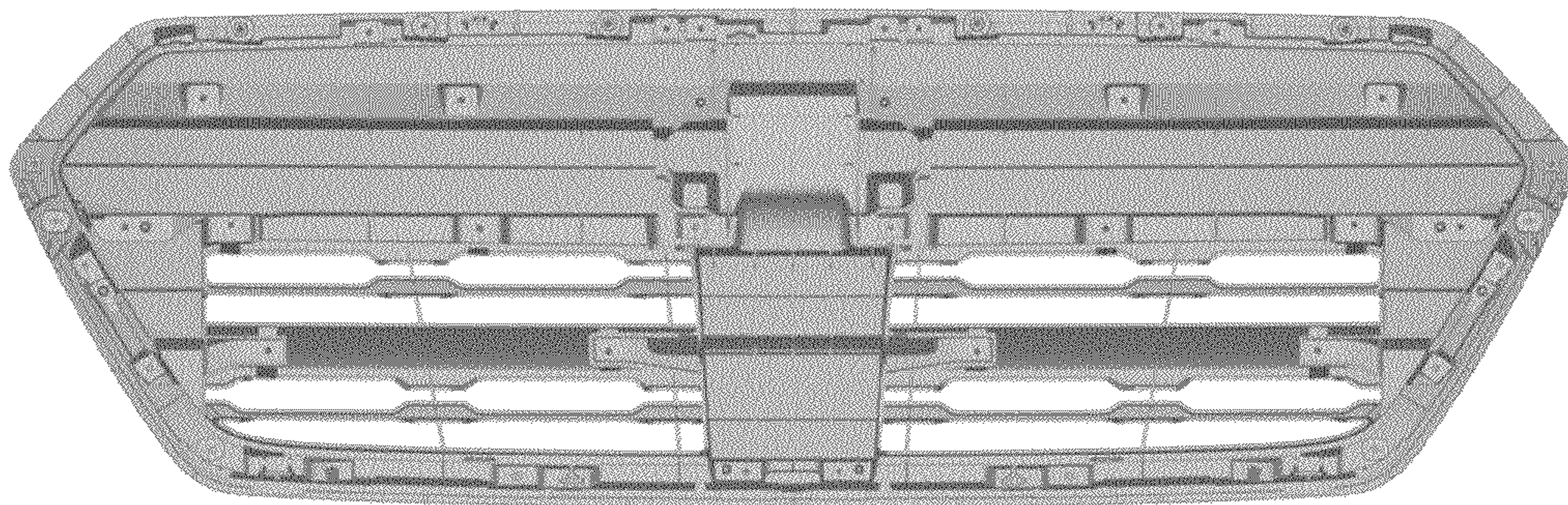


Fig. 5

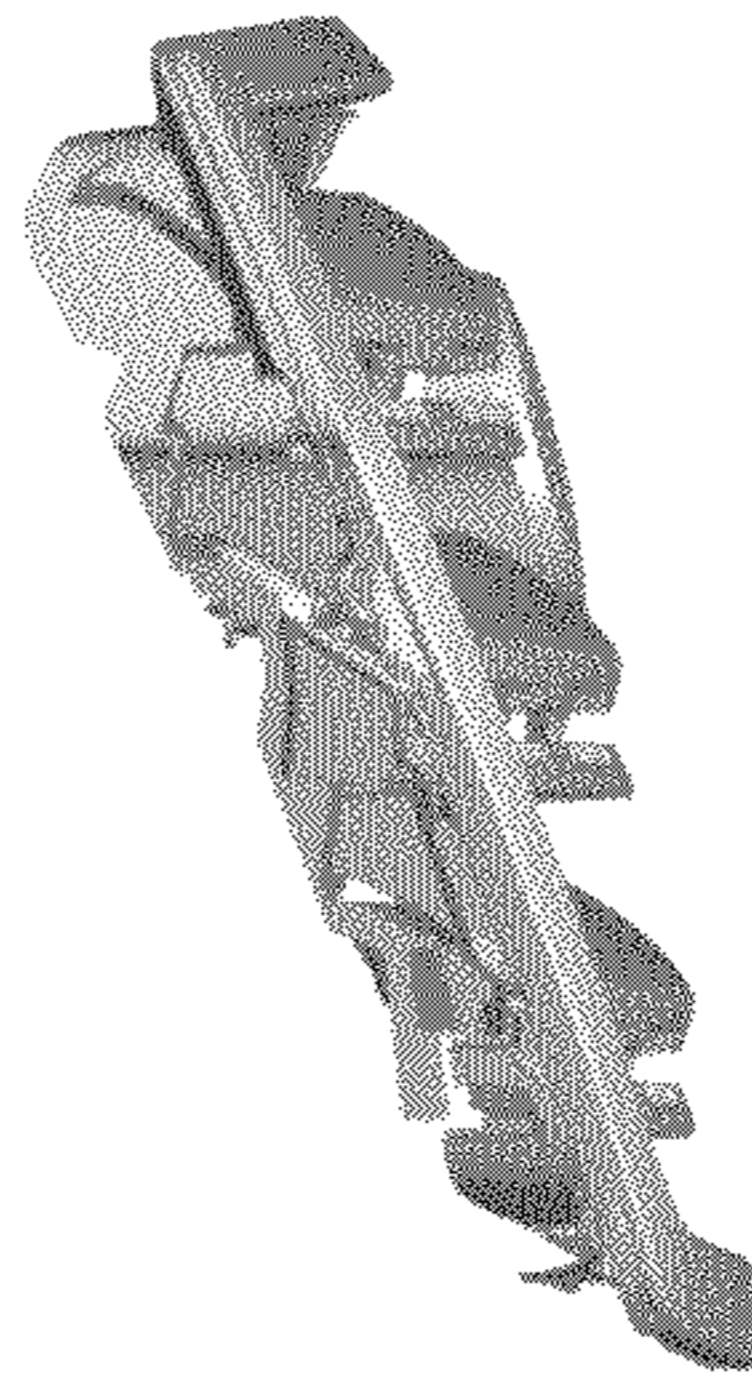


Fig. 6

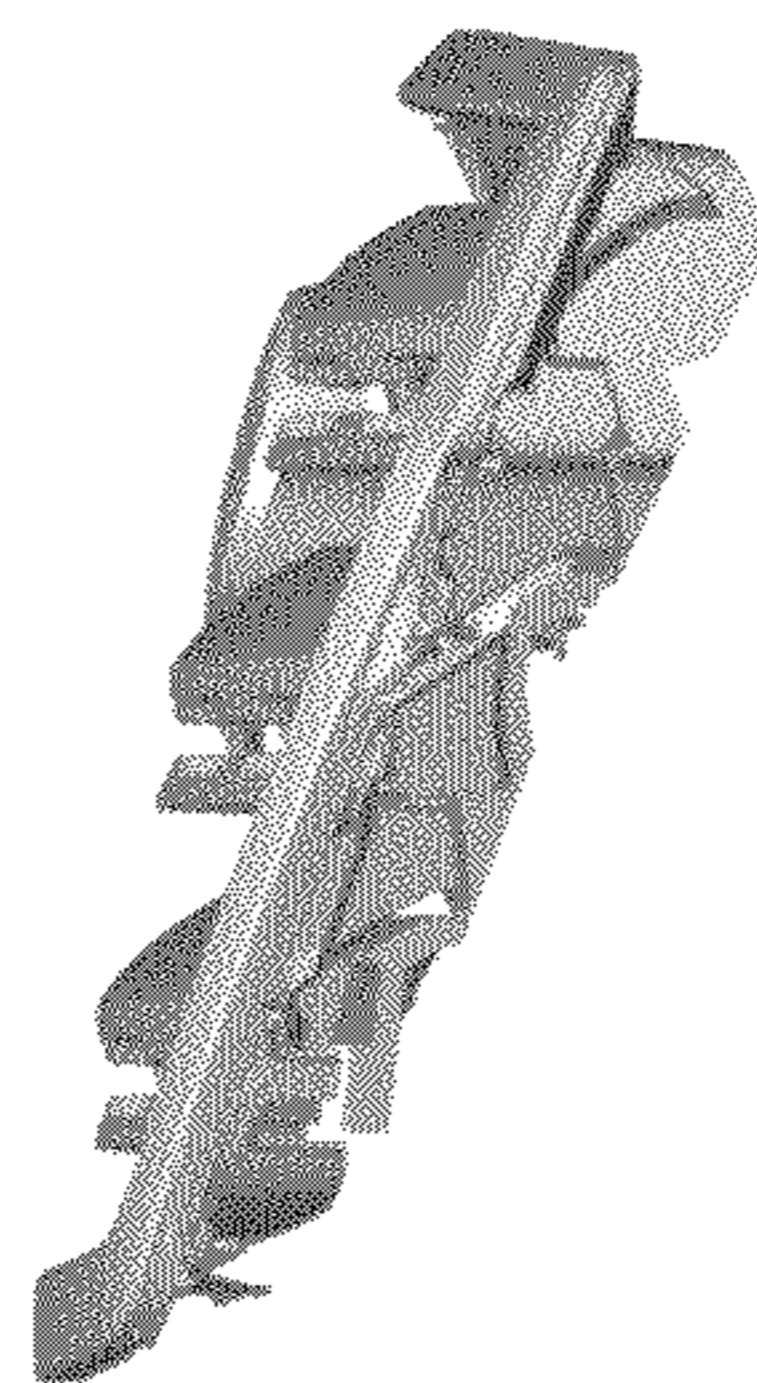




Fig. 7

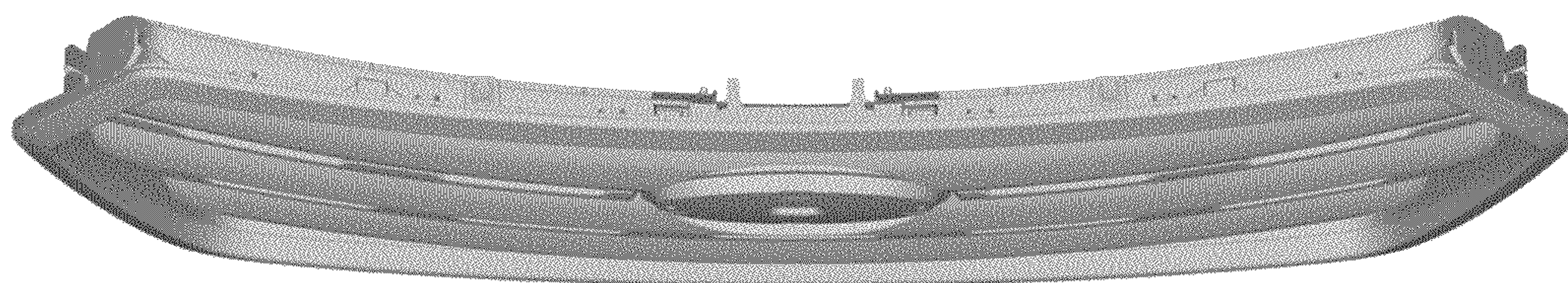




Fig. 8

