



US00D742286S

(12) **United States Design Patent**
Childs et al.

(10) **Patent No.:** **US D742,286 S**
(45) **Date of Patent:** **** Nov. 3, 2015**

(54) **WHEELCHAIR REAR WHEELS WITH SUPPORTS**

(71) Applicants: **Stryker Corporation**, Kalamazoo, MI (US); **Michael Graves Design Group, Inc.**, Princeton, NJ (US)

(72) Inventors: **William Dwight Childs**, Plainwell, MI (US); **Anish Paul**, Portage, MI (US); **Steven Lee Birman**, Ostego, MI (US); **Michael E. Graves**, Princeton, NJ (US); **Donald S. Strum**, Princeton, NJ (US); **Robert B. Van Varick**, Yardley, PA (US); **Joseph A. McCarry**, Princeton, NJ (US)

(73) Assignee: **Stryker Corporation**, Kalamazoo, MI (US)

(**) Term: **14 Years**

(21) Appl. No.: **29/486,312**

(22) Filed: **Mar. 28, 2014**

Related U.S. Application Data

(62) Division of application No. 29/428,117, filed on Jul. 26, 2012, now Pat. No. Des. 705,134.

(51) **LOC (10) Cl.** **12-12**

(52) **U.S. Cl.**
USPC **D12/133**

(58) **Field of Classification Search**
USPC D12/128-133; 280/62, 647-650, 29, 280/200, 47.38, 250.1, 259, 642, 658, 280/304.1, 285, 124.125; 128/99.1, 100.1, 128/102.1, 876, 877; 248/129, 98
CPC A61G 5/00-5/14; B62B 5/0083
See application file for complete search history.

(56) **References Cited**

U.S. PATENT DOCUMENTS

371,373 A 10/1887 Scarritt
902,092 A 10/1908 Latimer

(Continued)

Primary Examiner — Susan Bennett Hattan

Assistant Examiner — Charles Hanson

(74) *Attorney, Agent, or Firm* — Warner Norcross & Judd LLP

(57) **CLAIM**

The ornamental design for the wheelchair rear wheels with supports, as shown and described.

DESCRIPTION

FIG. 1 is a rear perspective view of the wheelchair rear wheels with supports of the present invention;

FIG. 2 is a front perspective view of the wheelchair rear wheels with supports of FIG. 1;

FIG. 3 is a right side elevation view of the wheelchair rear wheels with supports of FIG. 1, which is substantially a mirror image of the left side elevation view of the wheelchair rear wheels with supports;

FIG. 4 is a front elevation view of the wheelchair rear wheels with supports of FIG. 1;

FIG. 5 is a rear elevation view of the wheelchair rear wheels with supports of FIG. 1;

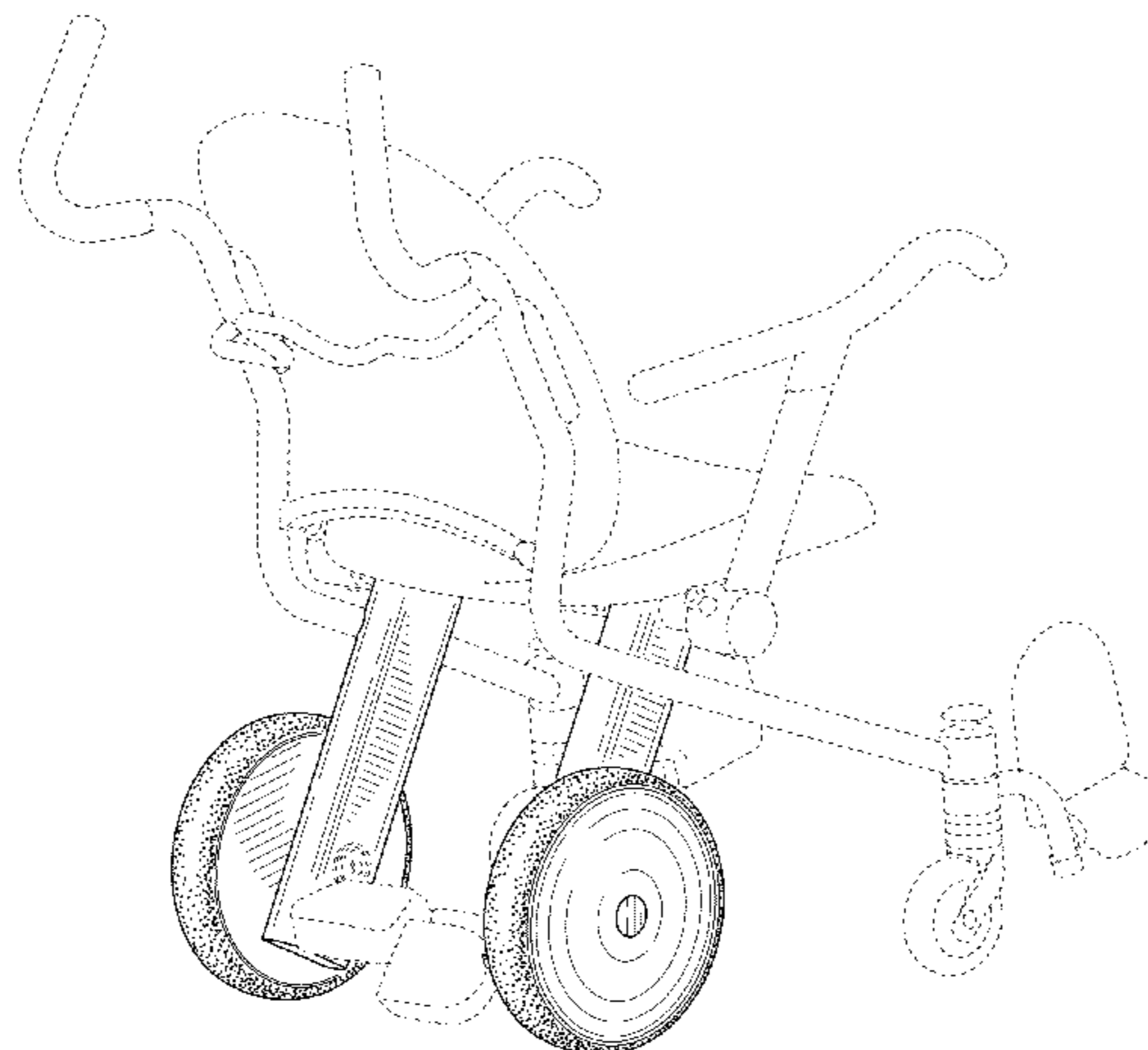
FIG. 6 is a bottom view of the wheelchair rear wheels with supports of FIG. 1;

FIG. 7 is a plan view of the wheelchair rear wheels with supports of FIG. 1 shown with the unclaimed environment (dashed lines) removed for greater clarity; and,

FIG. 8 is a right side elevation view of the wheelchair rear wheels with supports of FIG. 7, which is substantially a mirror image of the left side elevation view of the wheelchair rear wheels with supports.

The broken line showing of the chair in FIGS. 1-6 is included for the purpose of illustrating environment and forms no part of the claimed design. The dot-dash broken lines in FIGS. 7 and 8 are included for the purpose of illustrating the bounds of the claimed design. The line shading and the stipple shading are meant to show a contrast in materials.

1 Claim, 8 Drawing Sheets



(56)

References Cited

U.S. PATENT DOCUMENTS

1,856,297 A	5/1932	Marie et al.	6,296,313 B1	10/2001	Wu
2,591,246 A	4/1952	Everest et al.	6,341,671 B1	1/2002	Ebersole
2,609,864 A	9/1952	Gates, Jr.	6,352,138 B1	3/2002	Duran et al.
2,746,527 A	5/1956	Liebich	6,352,307 B1	3/2002	Engman
2,841,208 A	7/1958	Duke	6,499,756 B2	12/2002	Amirola
3,185,527 A	5/1965	Pivacek	6,572,195 B1	6/2003	Lee
3,854,774 A	12/1974	Limpach	6,578,915 B2	6/2003	Jonas et al.
3,857,606 A	12/1974	Rodaway	6,598,712 B1	7/2003	Sun
3,990,744 A	11/1976	Rodaway	6,659,560 B1	12/2003	Chi
4,176,879 A	12/1979	Rodaway	6,883,871 B2	4/2005	Nae et al.
RE30,954 E	6/1982	Smith et al.	7,036,838 B2	5/2006	Leffler
4,486,048 A	12/1984	Meyer	7,175,004 B2	2/2007	Kassai et al.
4,572,577 A	2/1986	LaRue	7,185,952 B1	3/2007	Chen et al.
4,593,929 A	6/1986	Williams	7,243,997 B1	7/2007	Tornero
4,707,026 A	11/1987	Johansson	7,367,432 B2	5/2008	Chen
4,722,572 A	2/1988	Sata	7,367,578 B2	5/2008	Jansen
4,733,755 A	3/1988	Manning	7,404,567 B2	7/2008	Moller
4,770,467 A	9/1988	Zinn	7,487,989 B2	2/2009	Crosby, II
4,790,553 A	12/1988	Okamoto	7,527,335 B2	5/2009	Eberlein et al.
4,805,259 A	2/1989	Kassai	7,537,093 B2	5/2009	Chen
4,953,667 A	9/1990	Bigo	D598,816 S	8/2009	Ahlbertz
4,985,690 A	1/1991	Eguchi et al.	7,571,966 B2	8/2009	Chen et al.
4,988,114 A	1/1991	Thornton, Jr. et al.	D602,405 S *	10/2009	Skafdrup et al. D12/131
4,997,066 A	3/1991	Bigo	7,635,142 B2	12/2009	Slagerman
5,112,076 A	5/1992	Wilson	7,708,119 B2	5/2010	Chen
5,191,675 A	3/1993	Ishikura	7,832,805 B1	11/2010	Lai
5,242,138 A	9/1993	Kornberg	7,988,171 B2	8/2011	Chong
5,370,408 A	12/1994	Eagan	8,104,838 B2	1/2012	Tsai
5,378,041 A	1/1995	Lee	D654,407 S *	2/2012	Zanderlehn et al. D12/131
5,379,866 A	1/1995	Pearce et al.	D665,587 S	8/2012	Lloyd et al.
5,415,459 A	5/1995	Schultz	8,490,757 B2 *	7/2013	Chen et al. 188/20
5,419,571 A	5/1995	Vaughan	D688,907 S	9/2013	Smith et al.
D359,016 S *	6/1995	Johansson D12/133	2004/0099487 A1	5/2004	Melgarejo
5,713,591 A	2/1998	Zarkhin et al.	2004/0178025 A1	9/2004	Zweideck
5,765,665 A	6/1998	Cheng et al.	2006/0151259 A1	7/2006	Tomasi et al.
5,984,334 A	11/1999	Dugas	2006/0261659 A1	11/2006	Dykes
6,022,042 A	2/2000	Hartenstine	2007/0057561 A1	3/2007	Liao
6,053,578 A	4/2000	van Hekken et al.	2009/0085317 A1	4/2009	Livengood et al.
6,203,101 B1	3/2001	Chou et al.	2010/0007114 A1	1/2010	Papi et al.
D439,869 S	4/2001	Kjell et al.	2010/0025969 A1	2/2010	Kent et al.
6,234,576 B1	5/2001	Fleigle	2010/0123346 A1	5/2010	Lin
6,264,007 B1	7/2001	Norton et al.	2010/0301574 A1	12/2010	Derks et al.
6,273,443 B1	8/2001	Fleigle	2011/0175329 A1	7/2011	Gingras et al.
			2011/0227314 A1	9/2011	Lowenthal et al.
			2013/0140779 A1 *	6/2013	Paul et al. 280/47.4

* cited by examiner

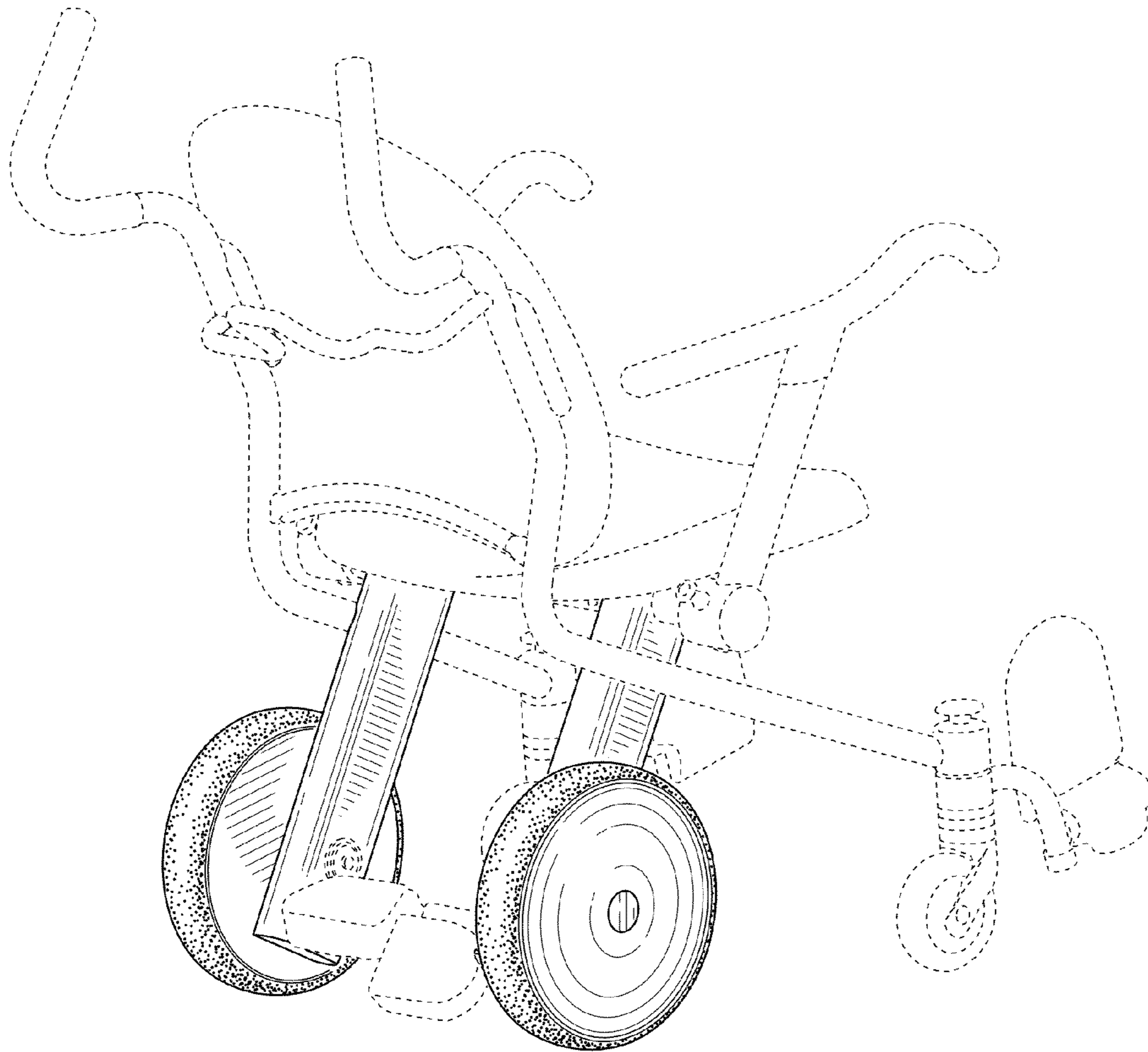


FIG. 1

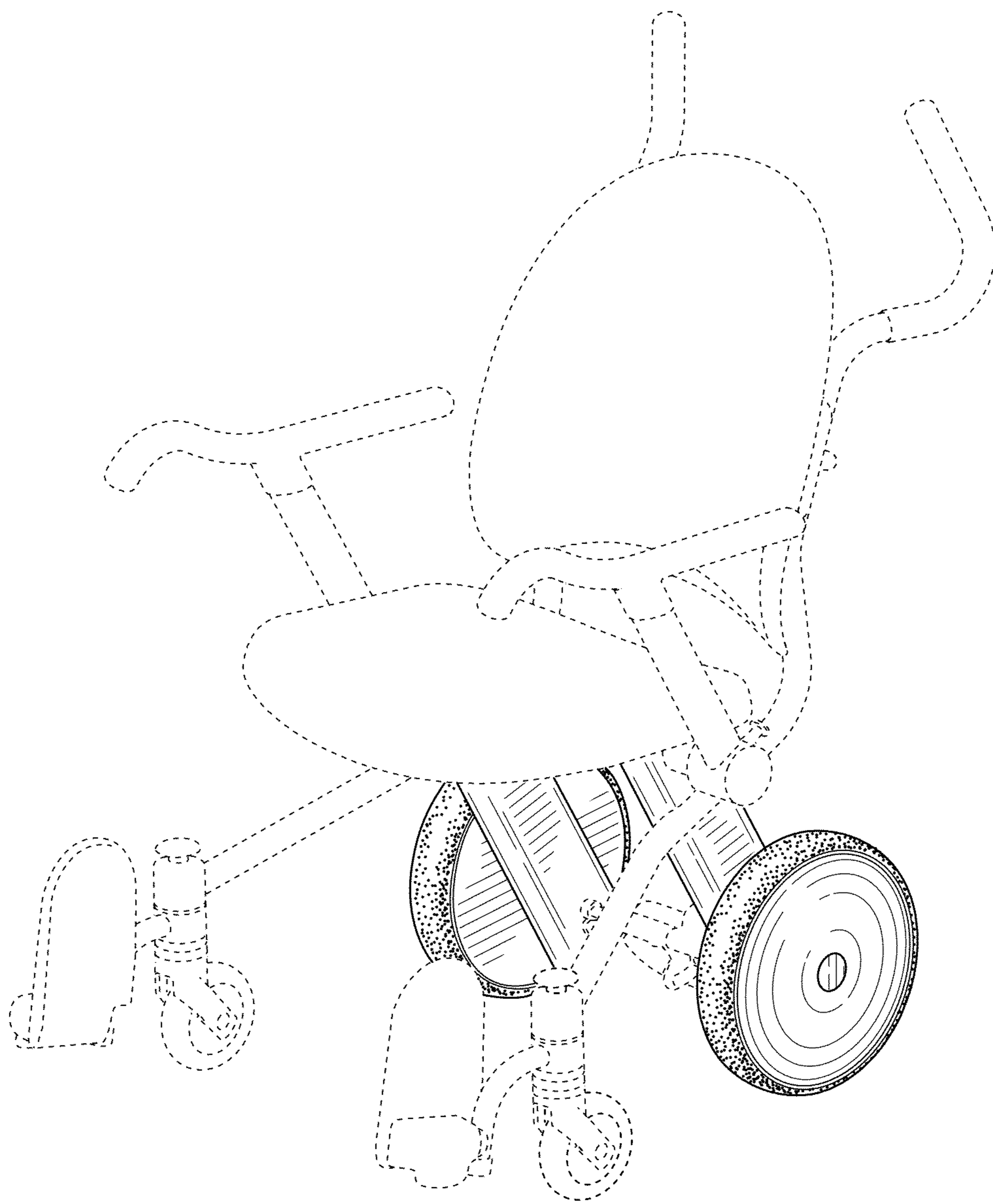


FIG. 2

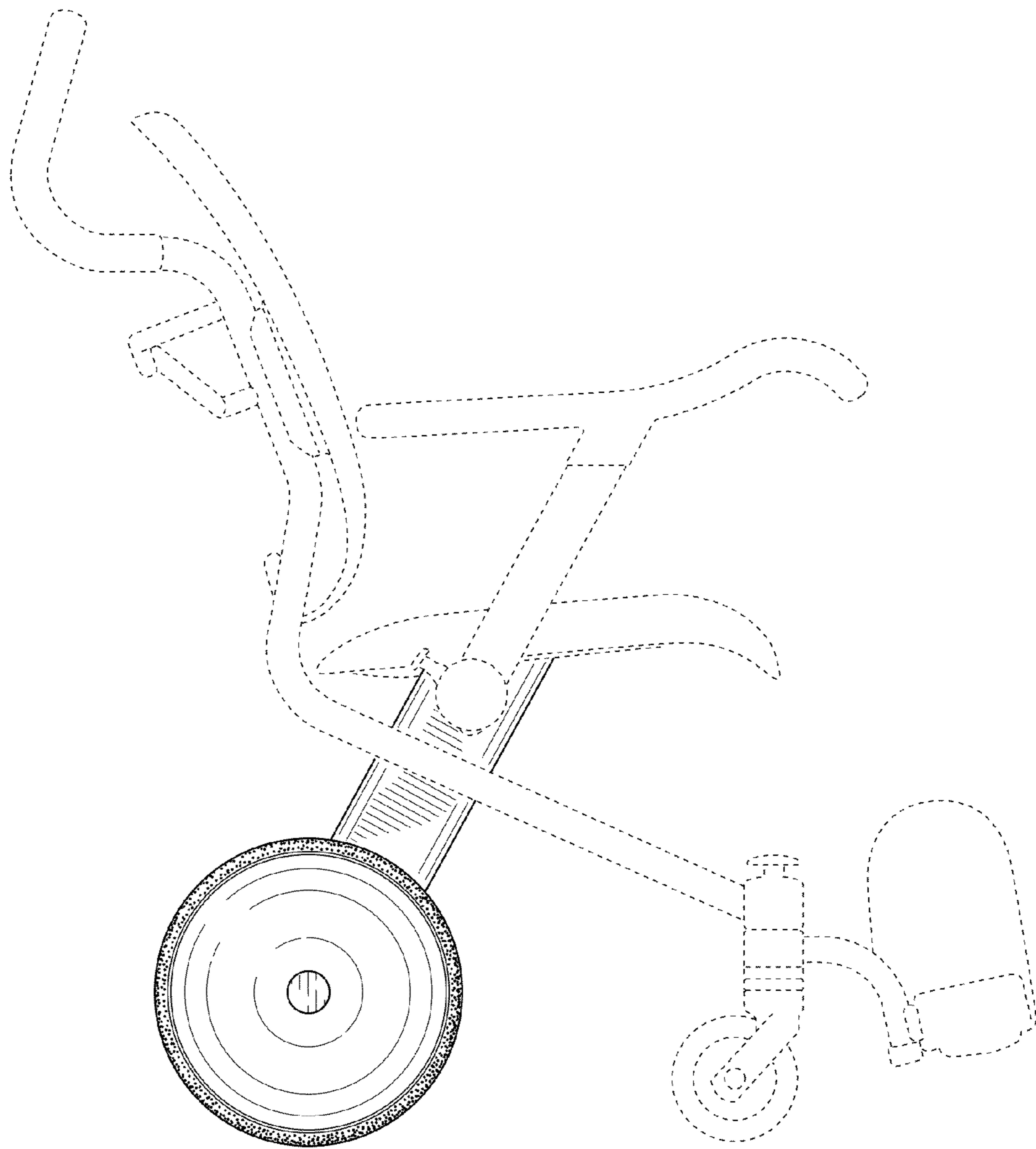


FIG. 3

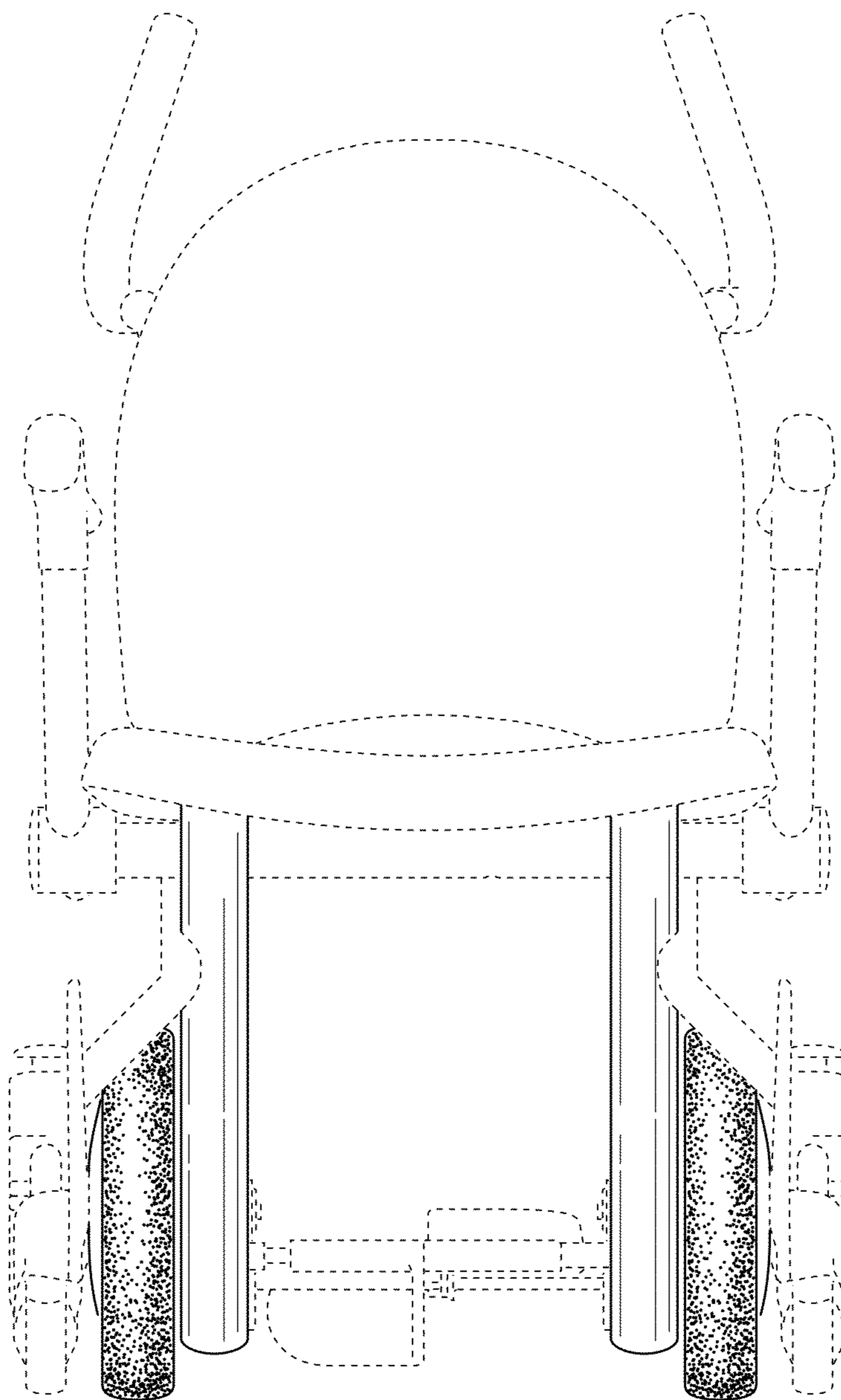


FIG. 4

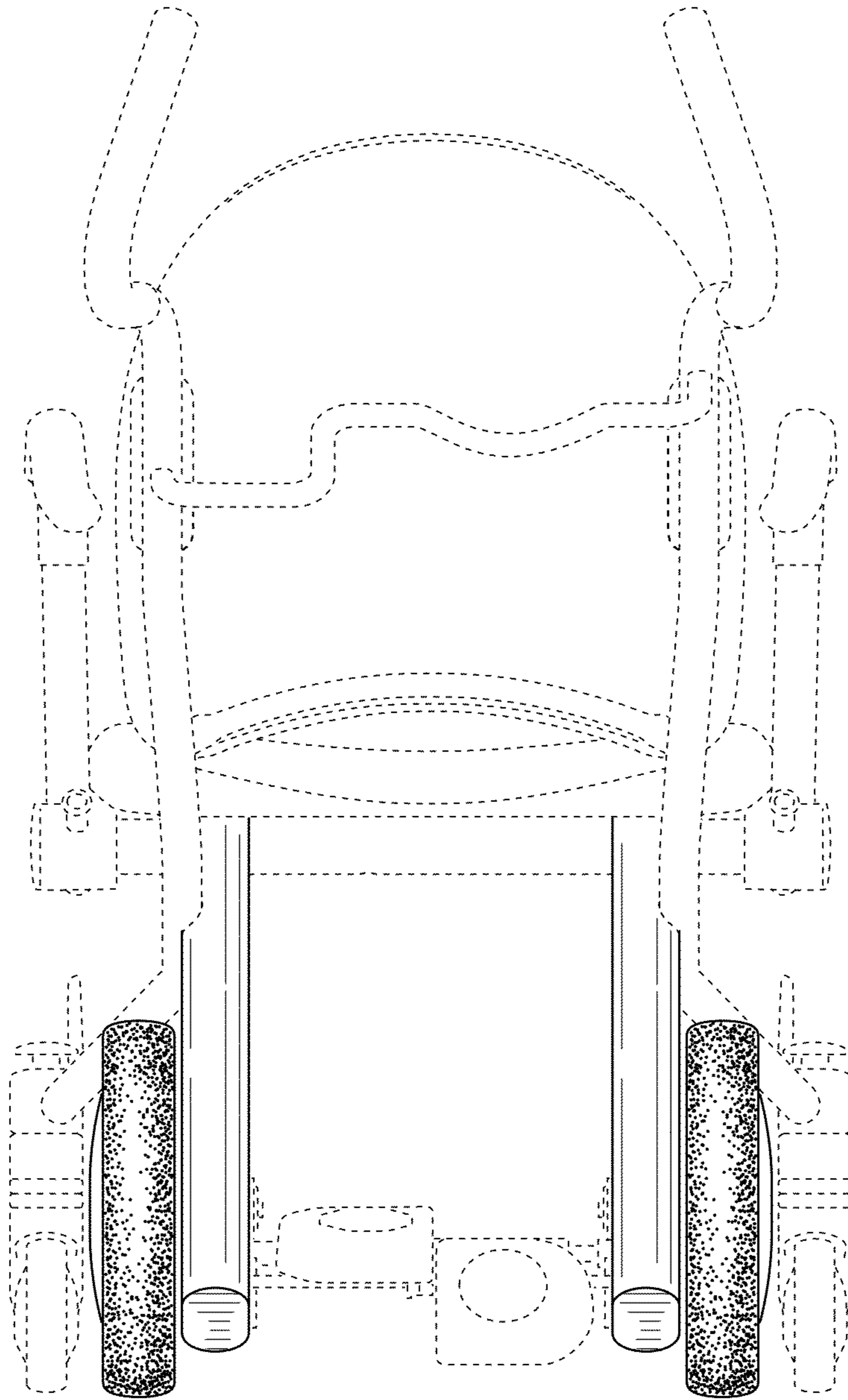


FIG. 5

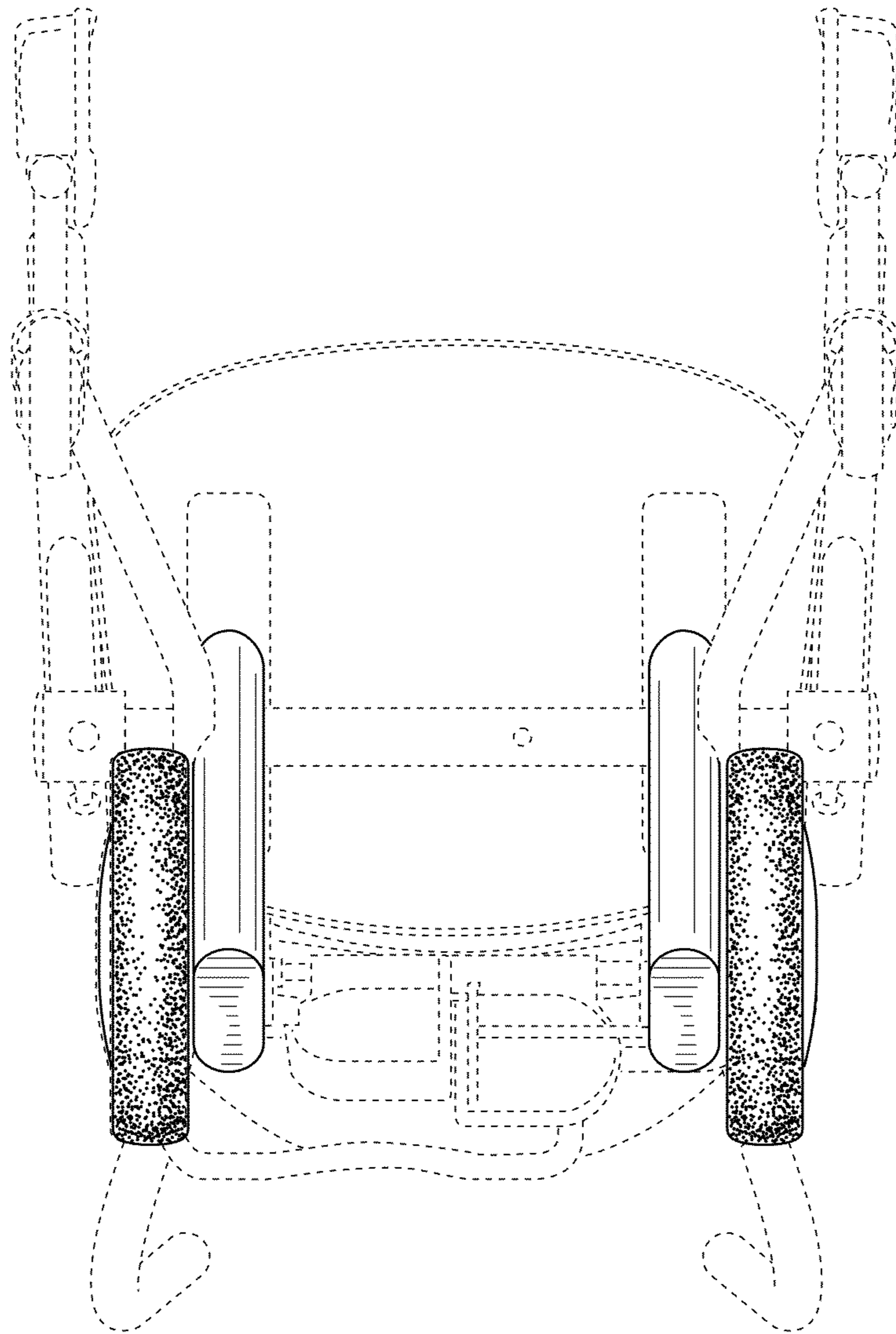


FIG. 6

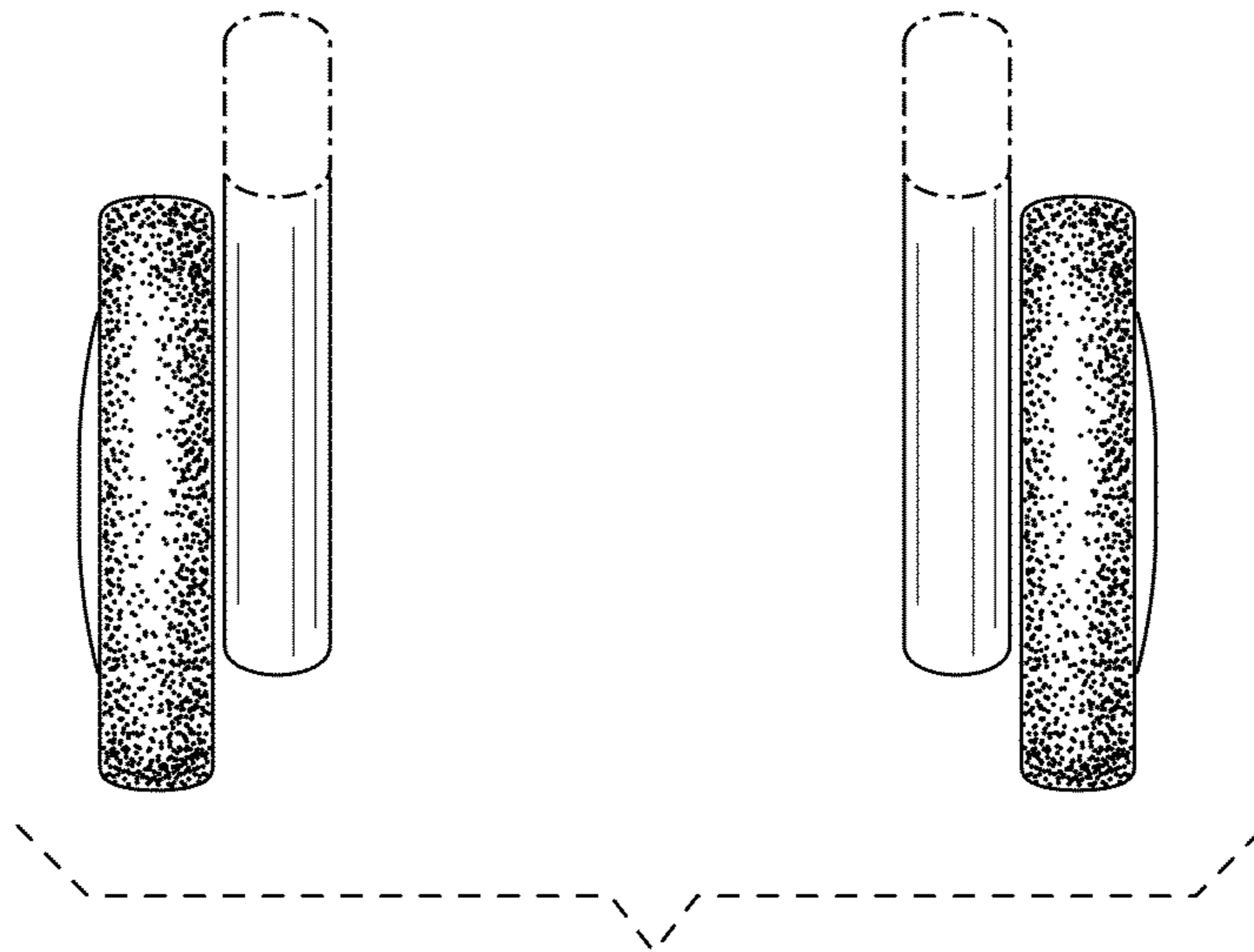


FIG. 7

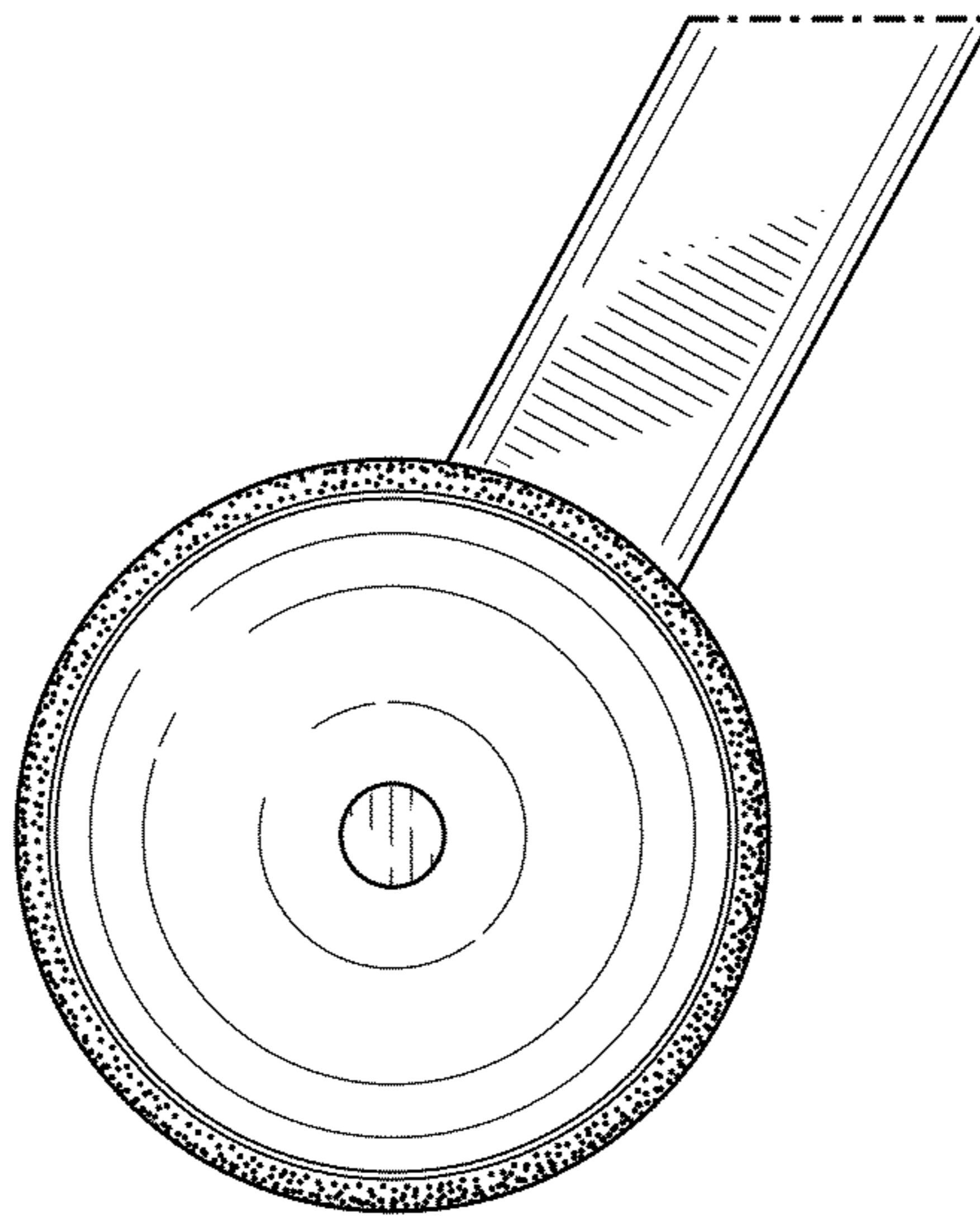


FIG. 8