



US00D742285S

(12) **United States Design Patent**
Cooper et al.

(10) **Patent No.:** **US D742,285 S**
(45) **Date of Patent:** **** Nov. 3, 2015**

- (54) **TRANSPORT CHAIR**
- (71) Applicant: **MOVI MEDICAL, LLC**, Birmingham, AL (US)
- (72) Inventors: **Lloyd G. B. Cooper**, Birmingham, AL (US); **Robert Eric Bernstein**, Birmingham, AL (US); **William P Acker, III**, Cashiers, NC (US)
- (73) Assignee: **MOVI MEDICAL, LLC**, Birmingham, AL (US)
- (**) Term: **14 Years**
- (21) Appl. No.: **29/471,419**
- (22) Filed: **Oct. 31, 2013**
- (51) **LOC (10) Cl.** **12-12**
- (52) **U.S. Cl.**
USPC **D12/131**
- (58) **Field of Classification Search**
USPC D12/128-133; 280/62, 647-650, 29, 280/200, 47.38, 250.1, 259, 642, 658; 296/65.03, 65.04; 224/409; 297/188.06, 365, 383; 4/480
CPC A61G 5/00-5/14
See application file for complete search history.

- D358,789 S * 5/1995 Wheeler et al. D12/128
- D364,971 S * 12/1995 Sterlacci D6/367
- D406,803 S * 3/1999 Kruse D12/131
- D455,377 S * 4/2002 Suiter D12/131
- D611,718 S * 3/2010 Tierney D6/367
- D622,641 S * 8/2010 Chen et al. D12/131
- D627,270 S * 11/2010 Kretschmer D12/131
- D697,733 S * 1/2014 Voyce, IV D6/367

* cited by examiner

Primary Examiner — Susan Bennett Hattan

Assistant Examiner — Charles Hanson

(74) *Attorney, Agent, or Firm* — Paul Sykes; Bradley Arant Boult Cummings LLP

(57) **CLAIM**

The ornamental design for a transport chair, as shown and described.

DESCRIPTION

FIG. 1 shows a perspective view of a transport chair, in accordance with our new design, in which the side table members are in an upright position;

FIG. 2 shows a left side view thereof, the right side of the design being a mirror image of the left side as shown;

FIG. 3 shows a front view thereof;

FIG. 4 shows a rear view thereof;

FIG. 5 shows a top view thereof; and,

FIG. 6 is shows another perspective view the transport chair of FIG. 1, showing an alternate position of the side table members, in which they have been moved from an upright position (as shown in FIG. 1) to a horizontal position.

The dashed lines in the Figures illustrate environmental structure and form no part of the claimed design.

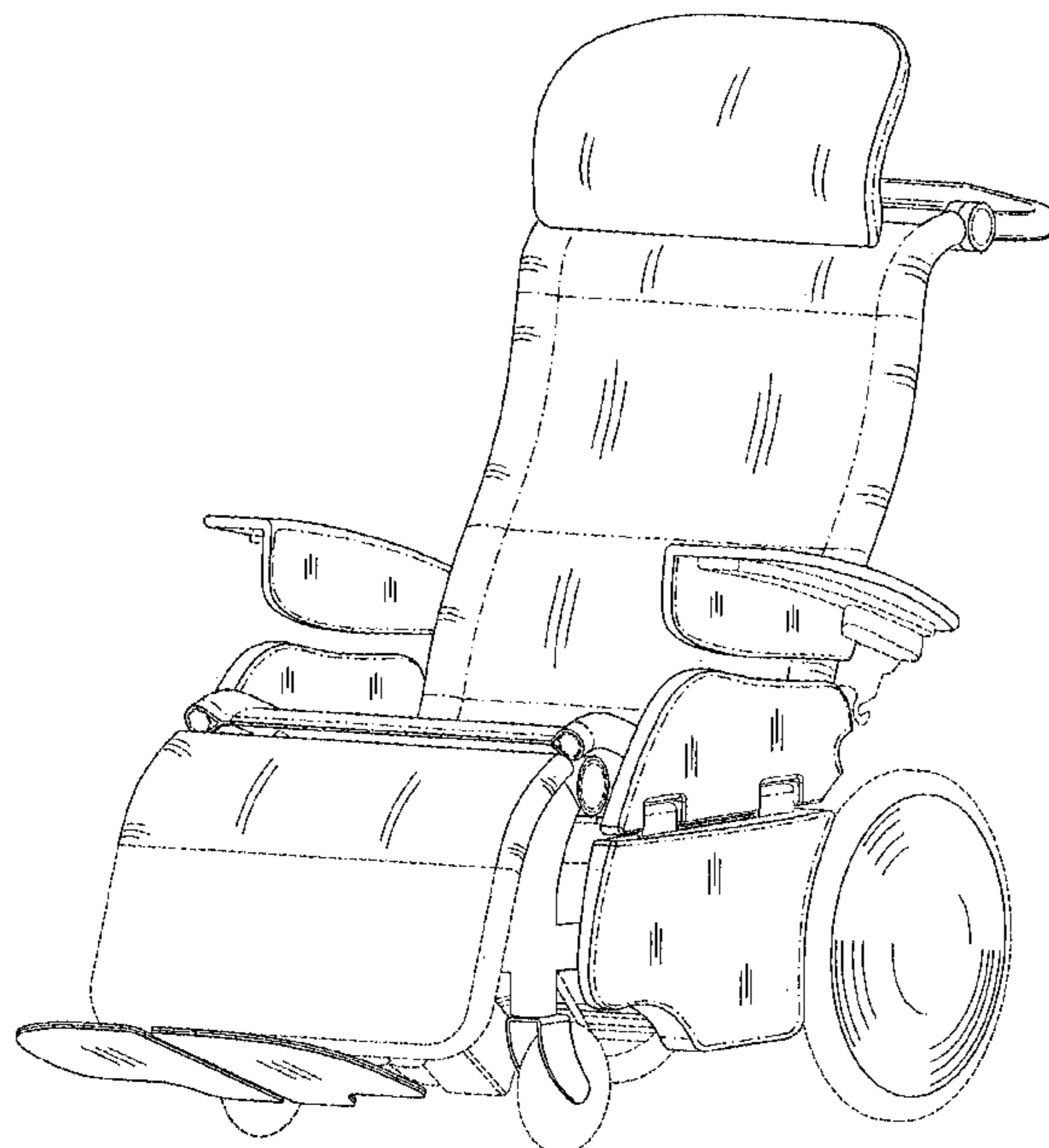
The dot-dashed lines in the Figures illustrate stitching and form no part of the claimed design.

1 Claim, 6 Drawing Sheets

(56) **References Cited**

U.S. PATENT DOCUMENTS

- D240,414 S * 7/1976 Thomas D12/131
- D250,977 S * 2/1979 Powers D6/360
- 4,979,779 A * 12/1990 Williams 297/465
- 5,240,277 A * 8/1993 Scheulderman 280/650
- D356,530 S * 3/1995 Bee et al. D12/131



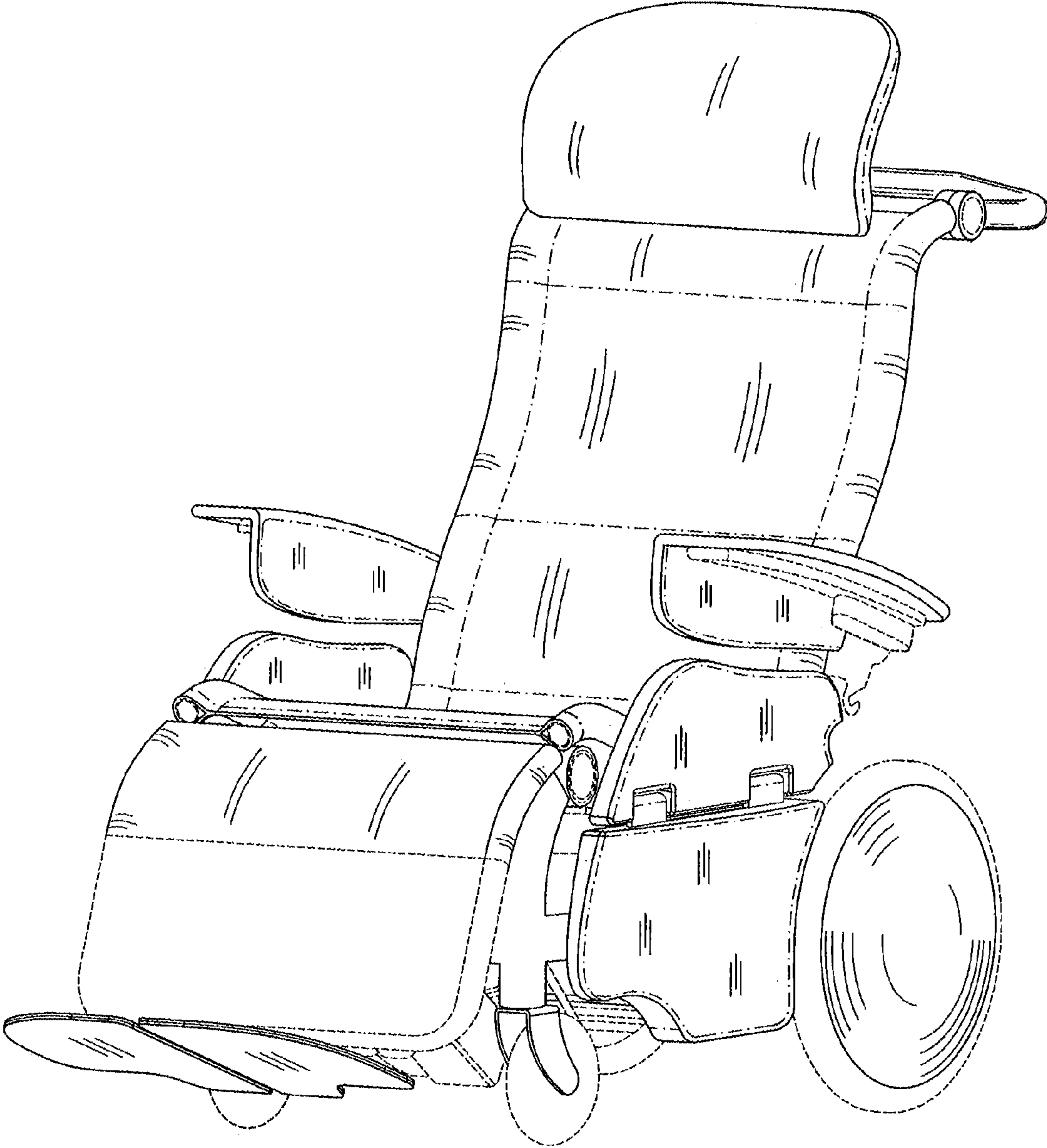


FIG. 1

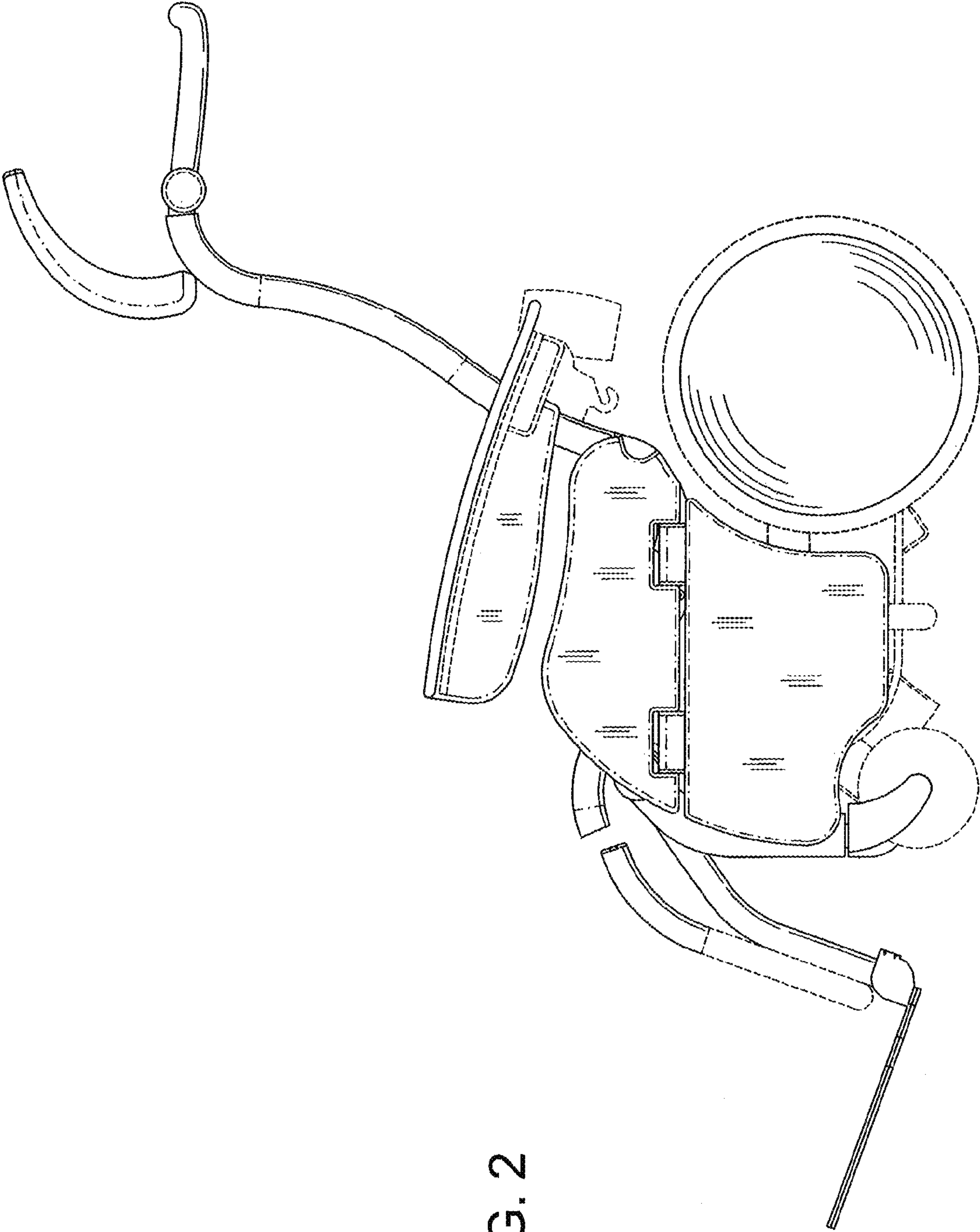


FIG. 2

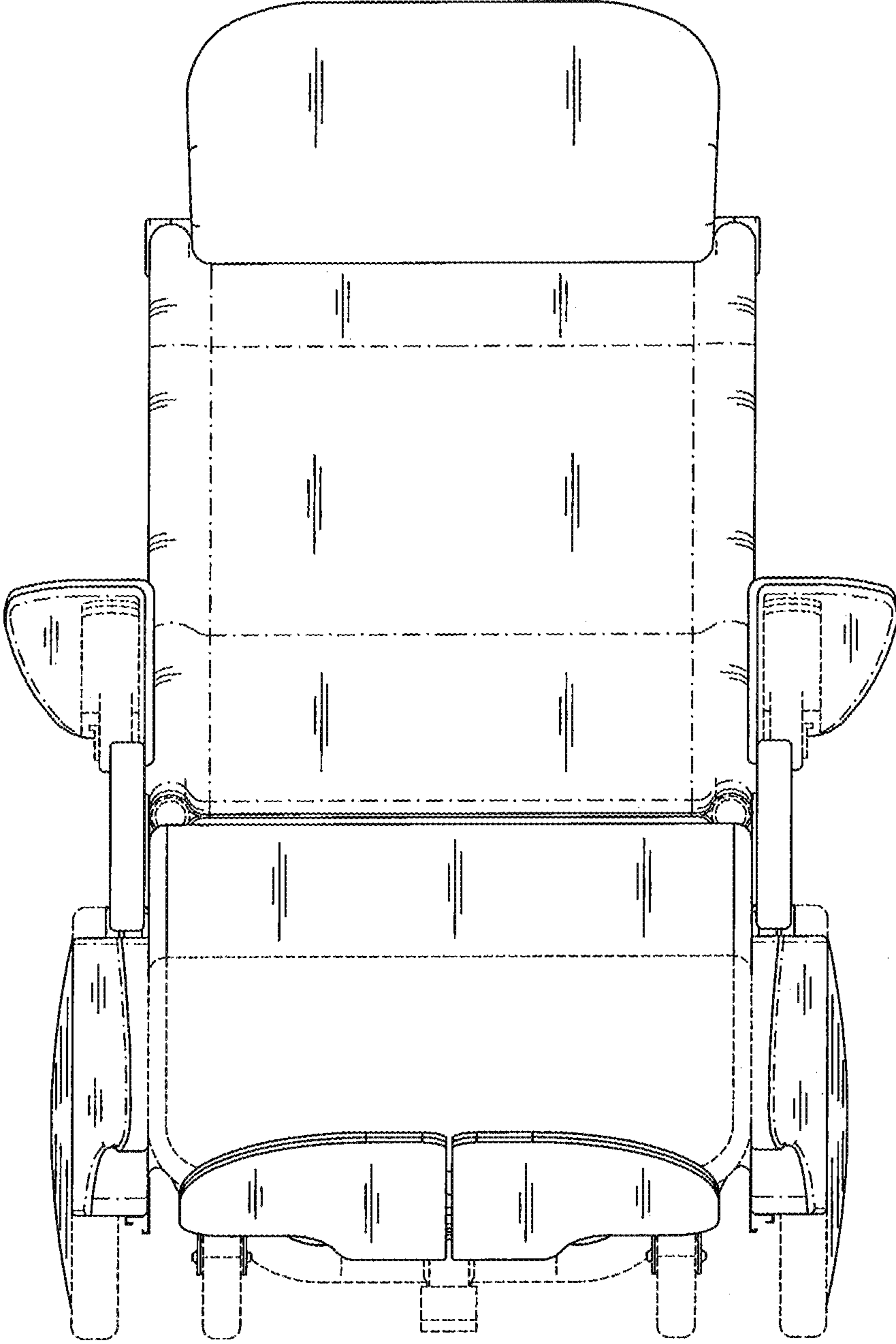


FIG. 3

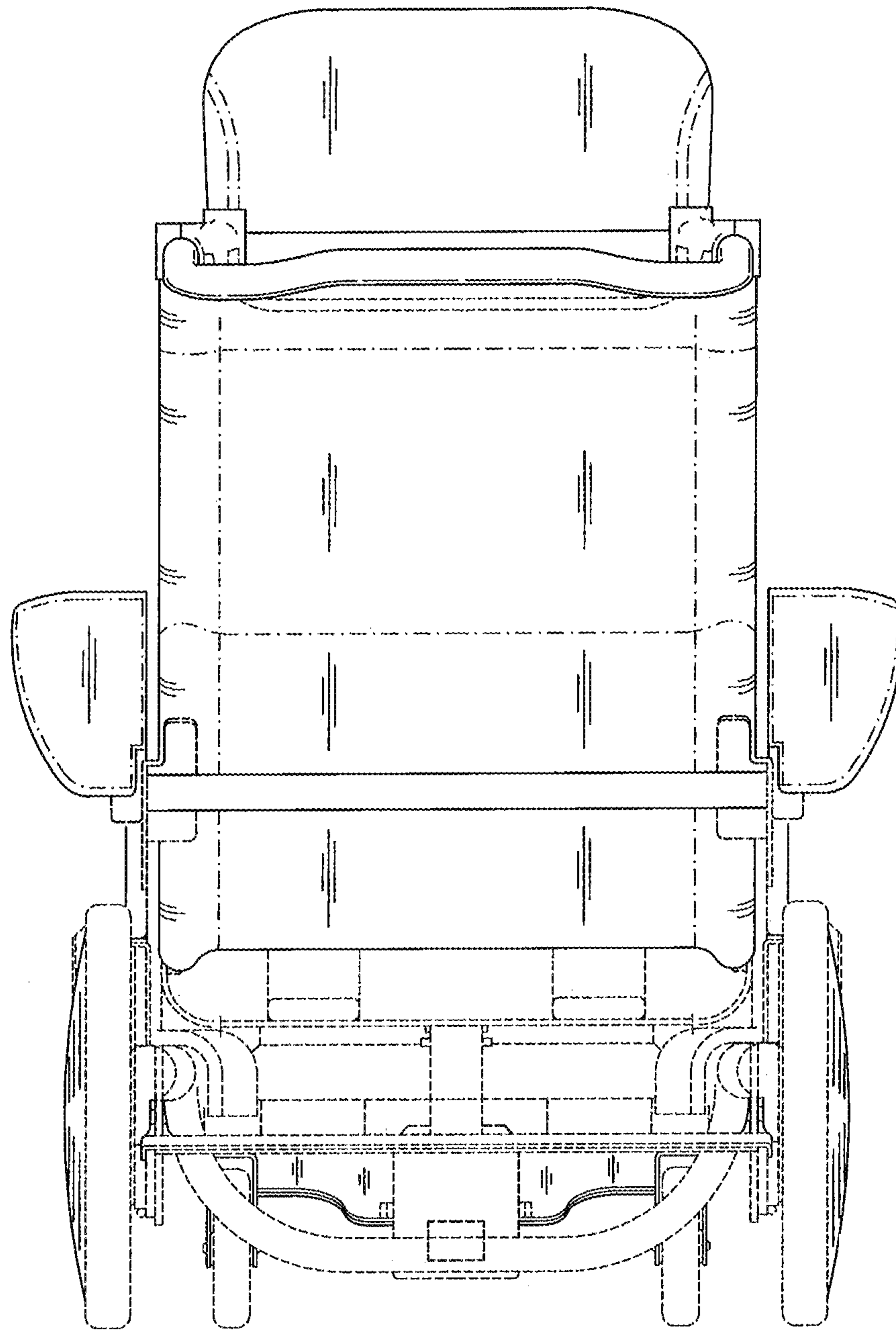


FIG. 4

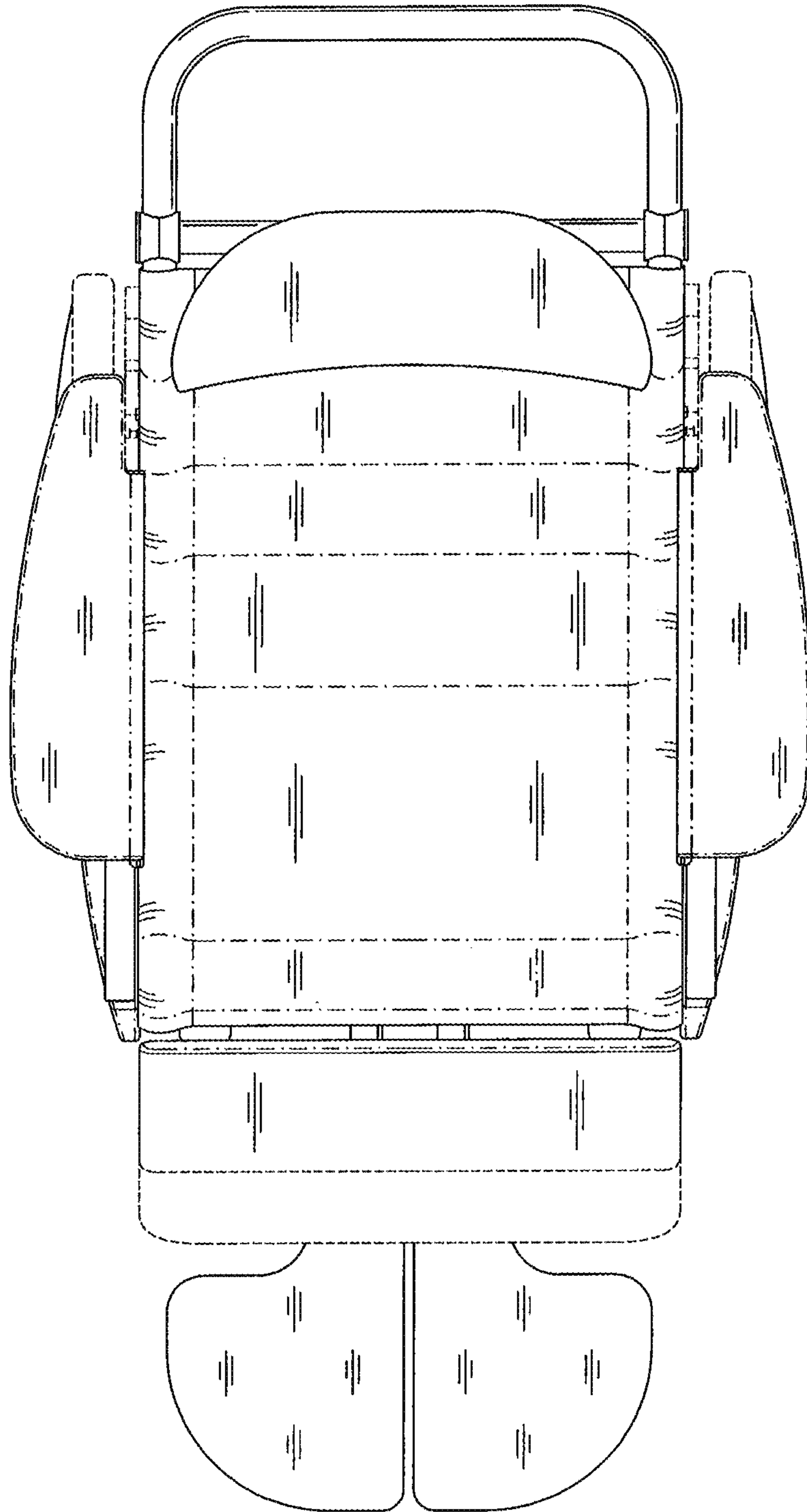


FIG. 5

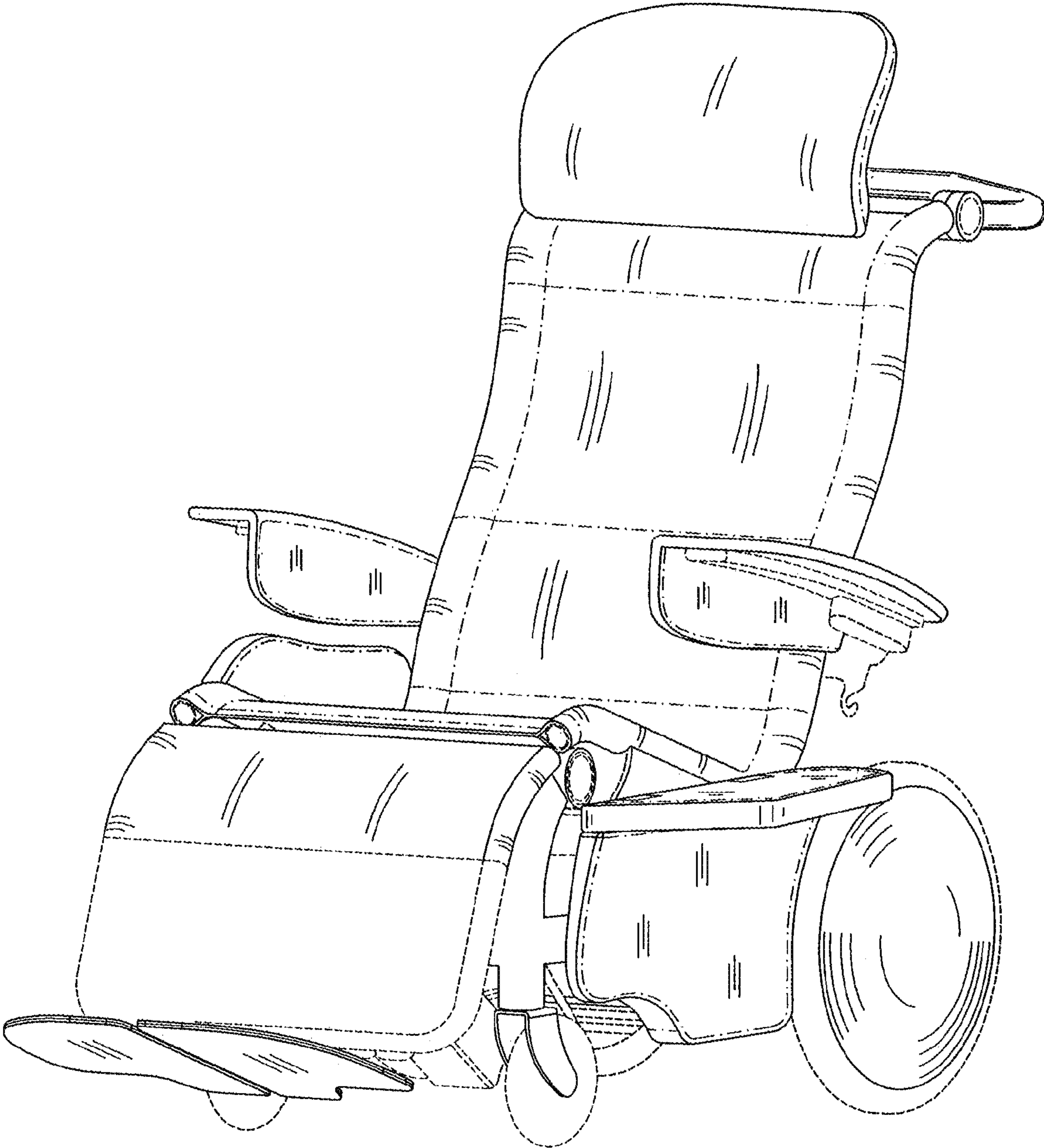


FIG. 6