



US00D742284S

(12) **United States Design Patent**
Strickland

(10) **Patent No.:** **US D742,284 S**
(45) **Date of Patent:** **** Nov. 3, 2015**

- (54) **BICYCLE FRAME**
- (71) Applicant: **Kevin Todd Strickland**, San Bernardino, CA (US)
- (72) Inventor: **Kevin Todd Strickland**, San Bernardino, CA (US)
- (**) Term: **14 Years**
- (21) Appl. No.: **29/501,912**
- (22) Filed: **Sep. 10, 2014**
- (51) **LOC (10) Cl.** **12-11**
- (52) **U.S. Cl.**
USPC **D12/111**
- (58) **Field of Classification Search**
USPC D12/111, 117; 280/274–280, 281.1, 280/283–288, 288.1–288.4
CPC B62K 3/00; B62K 3/005; B62K 9/00; B62K 19/00; B62K 19/02; B62K 19/04; B62K 19/06; B62K 19/16
See application file for complete search history.

6,497,427	B1 *	12/2002	D'Alusio et al.	280/288
6,880,846	B2 *	4/2005	Schonfeld	280/283
D533,812	S *	12/2006	Hoisington	D12/111
D542,189	S *	5/2007	Ellsworth	D12/111
D604,205	S *	11/2009	Cattaneo	D12/111
D606,908	S *	12/2009	Grimaldi	D12/111
D637,527	S *	5/2011	Choi et al.	D12/111
D644,571	S *	9/2011	Bethlenfalvy	D12/111
D667,347	S *	9/2012	Simko	D12/111
D688,599	S *	8/2013	Silva	D12/111
D689,407	S *	9/2013	Kim	D12/111
D689,408	S *	9/2013	Kim	D12/111
D697,836	S *	1/2014	Edmonds et al.	D12/111

* cited by examiner

Primary Examiner — Philip S Hyder
Assistant Examiner — Darlington Ly

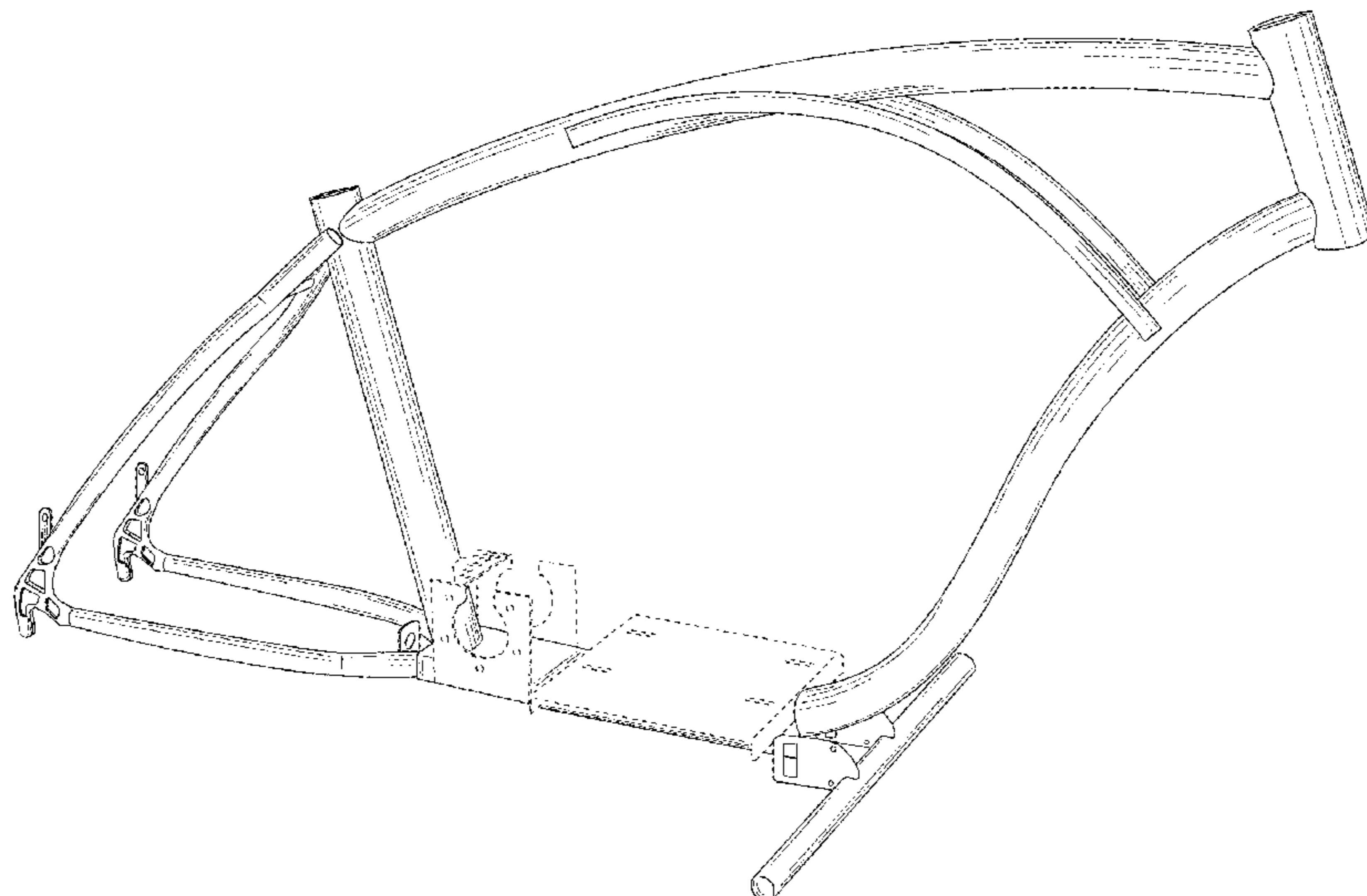
(57) **CLAIM**
The ornamental design for a bicycle frame, as shown and described.

DESCRIPTION

FIG. 1 is a perspective view of a bicycle frame;
FIG. 2 is a front elevational view thereof;
FIG. 3 is a rear elevational view thereof;
FIG. 4 is a right side elevational view thereof;
FIG. 5 is a left side elevational view thereof;
FIG. 6 is a top plan view thereof;
FIG. 7 is a bottom plan view thereof; and,
FIG. 8 is a perspective view thereof, showing accessory components.
The broken line showing accessory components is included for the purpose of illustrating environmental structure and forms no part of the claimed design.

1 Claim, 8 Drawing Sheets

- (56) **References Cited**
U.S. PATENT DOCUMENTS
- D99,873 S * 6/1936 Lewis D12/111
- D100,203 S * 6/1936 Clemments D12/111
- D101,281 S * 9/1936 Kraeft D12/111
- D108,201 S * 2/1938 Fogarty D12/111
- D115,011 S * 5/1939 Smith D12/111
- D146,436 S * 3/1947 Taylor D12/111
- D164,388 S * 8/1951 Schwinn D12/111
- D206,741 S * 1/1967 Ross D12/111
- D230,963 S * 3/1974 Bauer D12/111
- D232,306 S * 8/1974 Bauer D12/111
- D405,030 S * 2/1999 Frost et al. D12/111



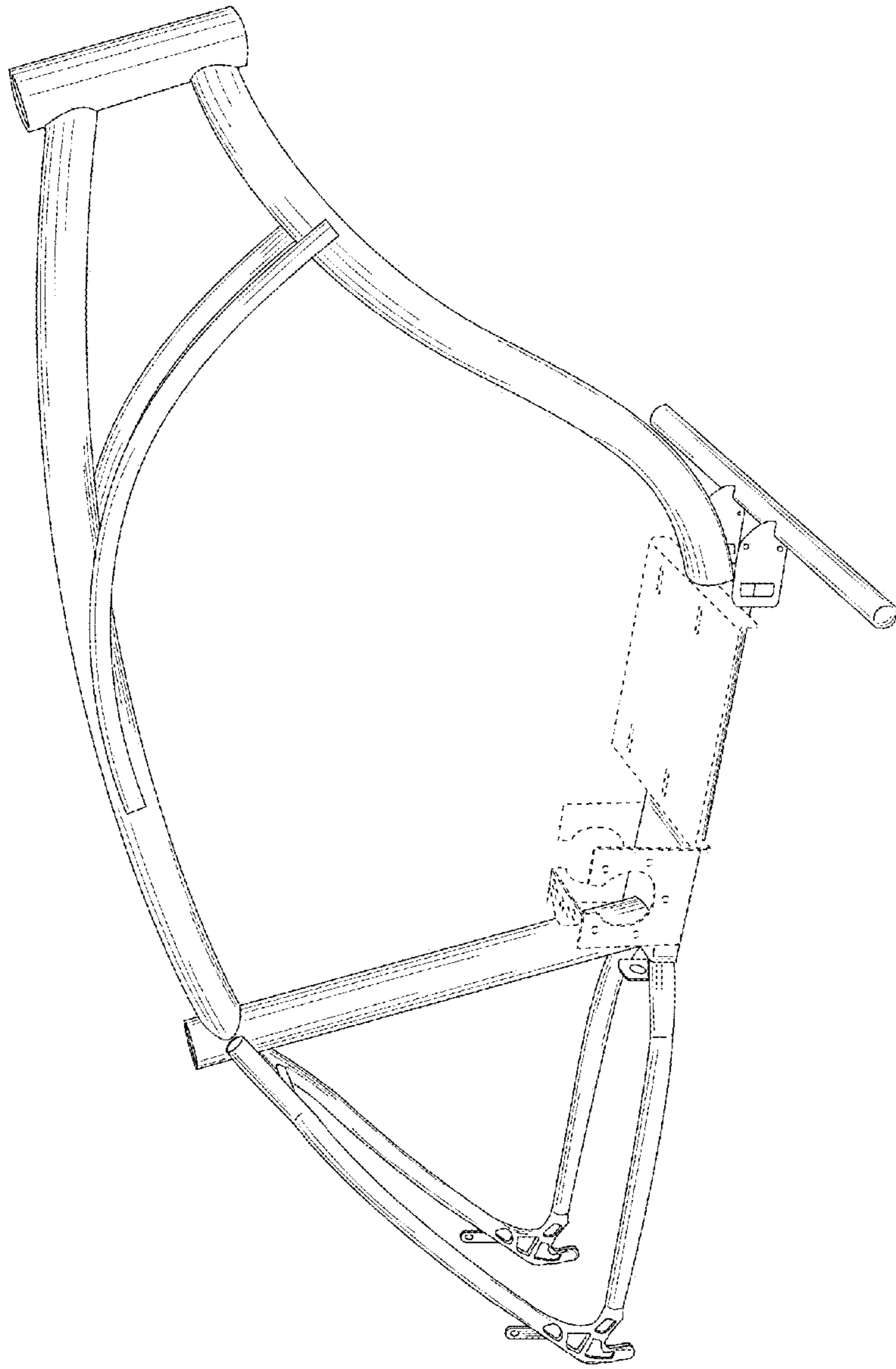


FIG. 1

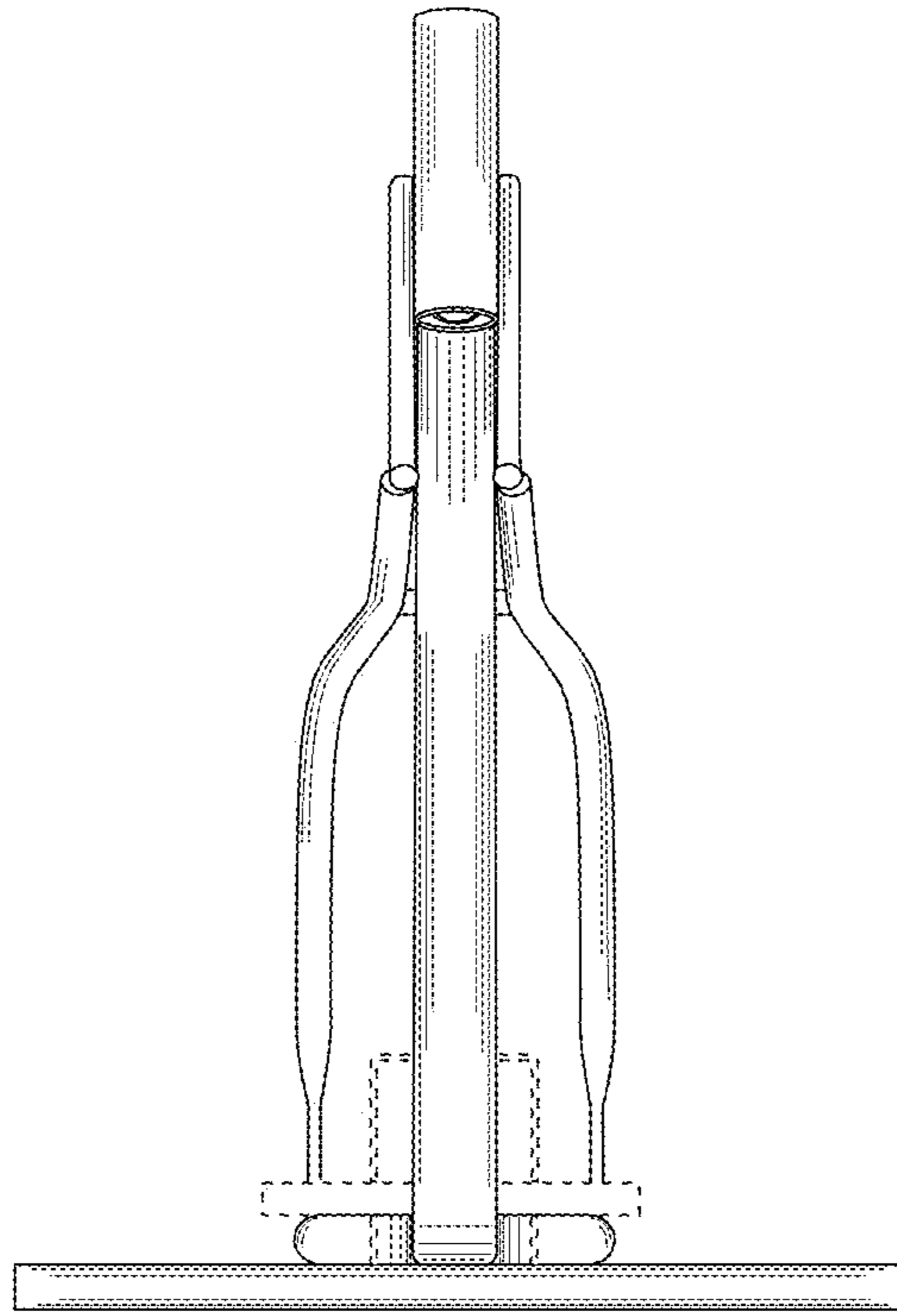


FIG. 2

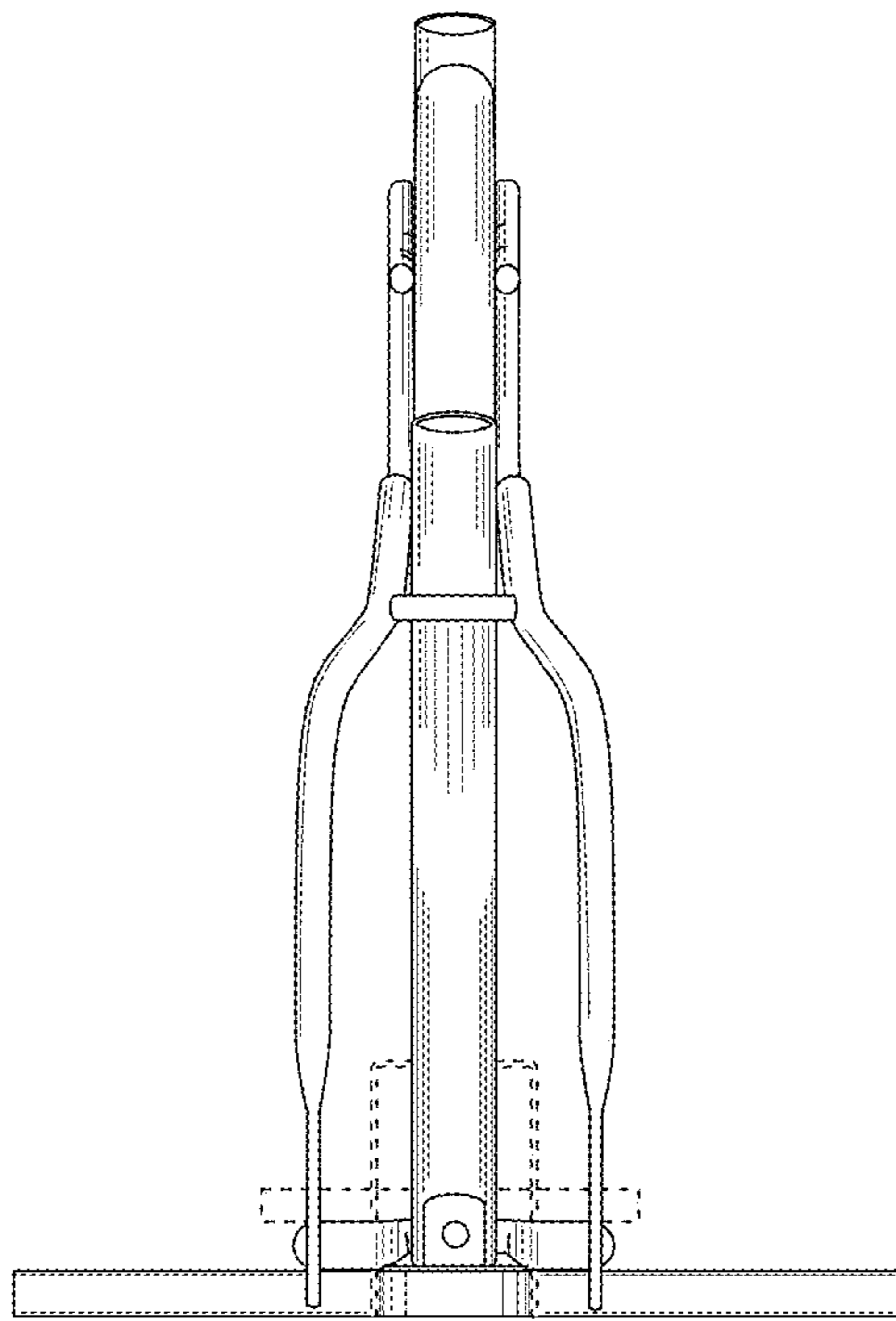


FIG. 3

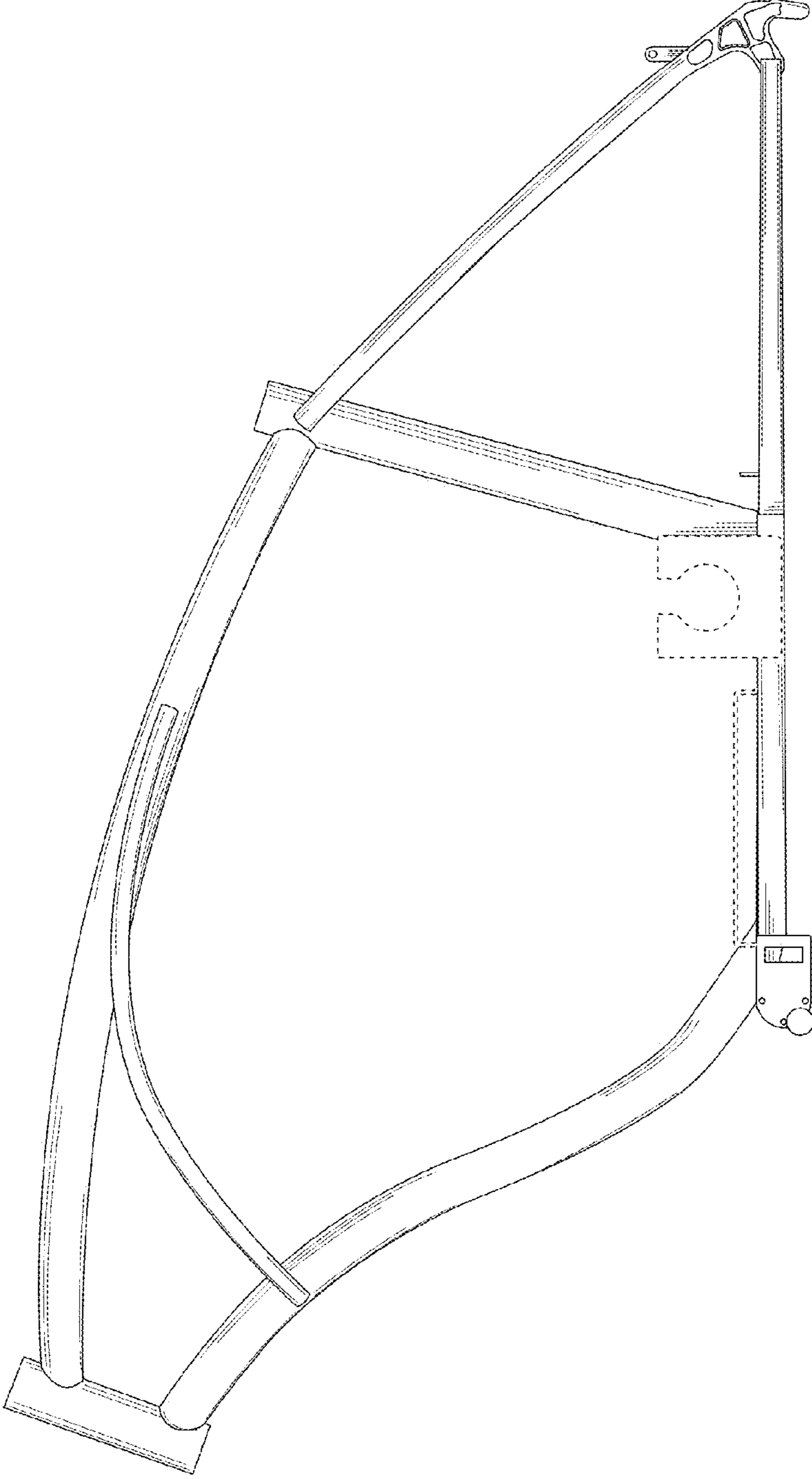


FIG. 4

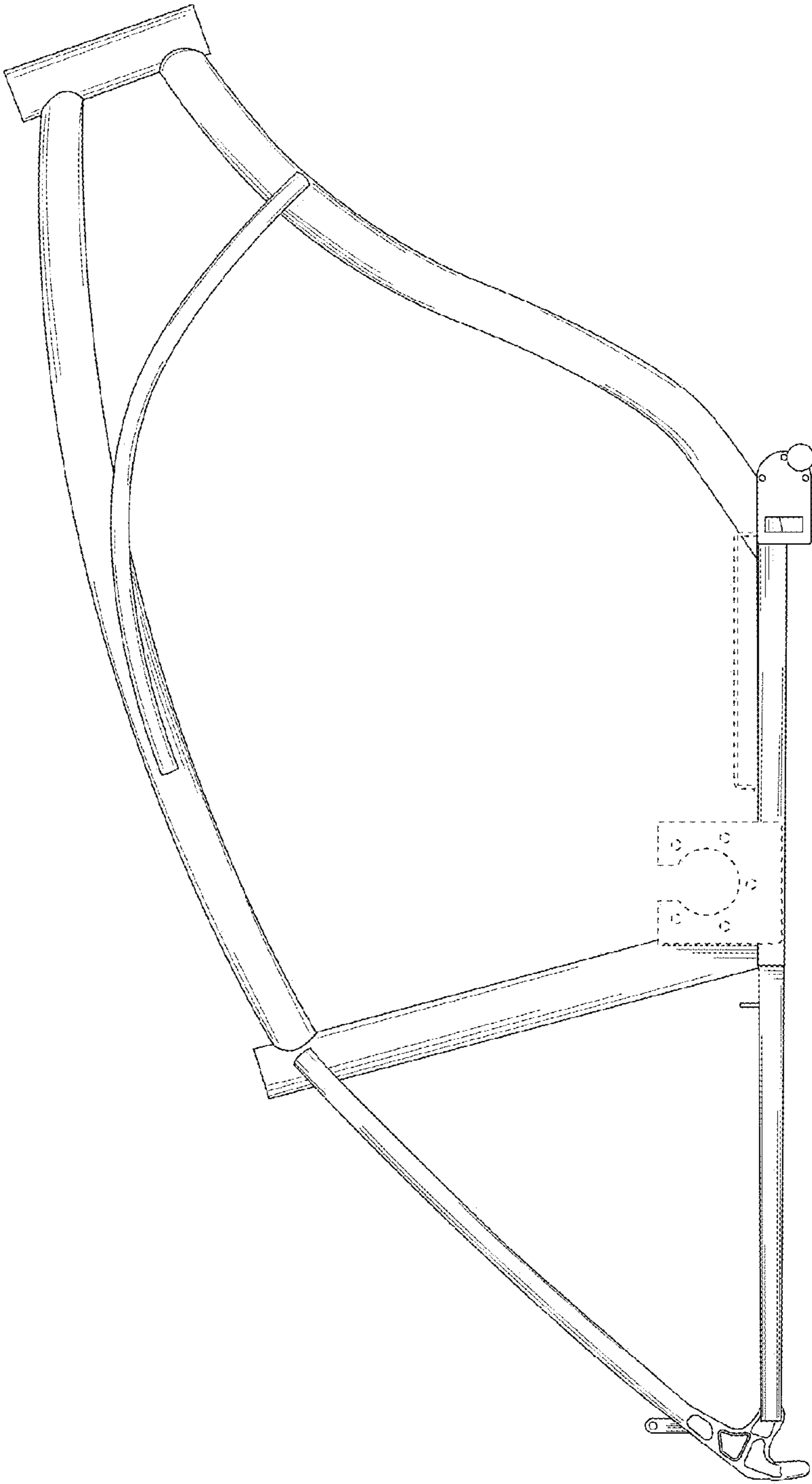


FIG. 5

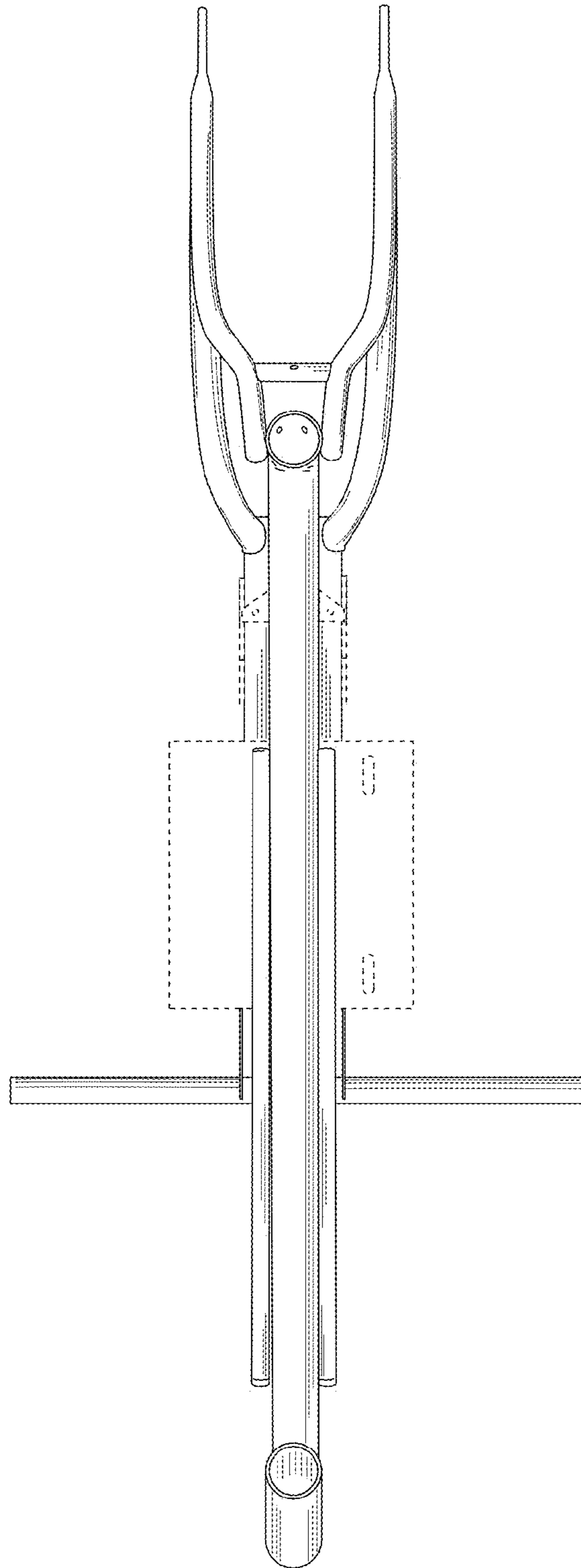


FIG. 6

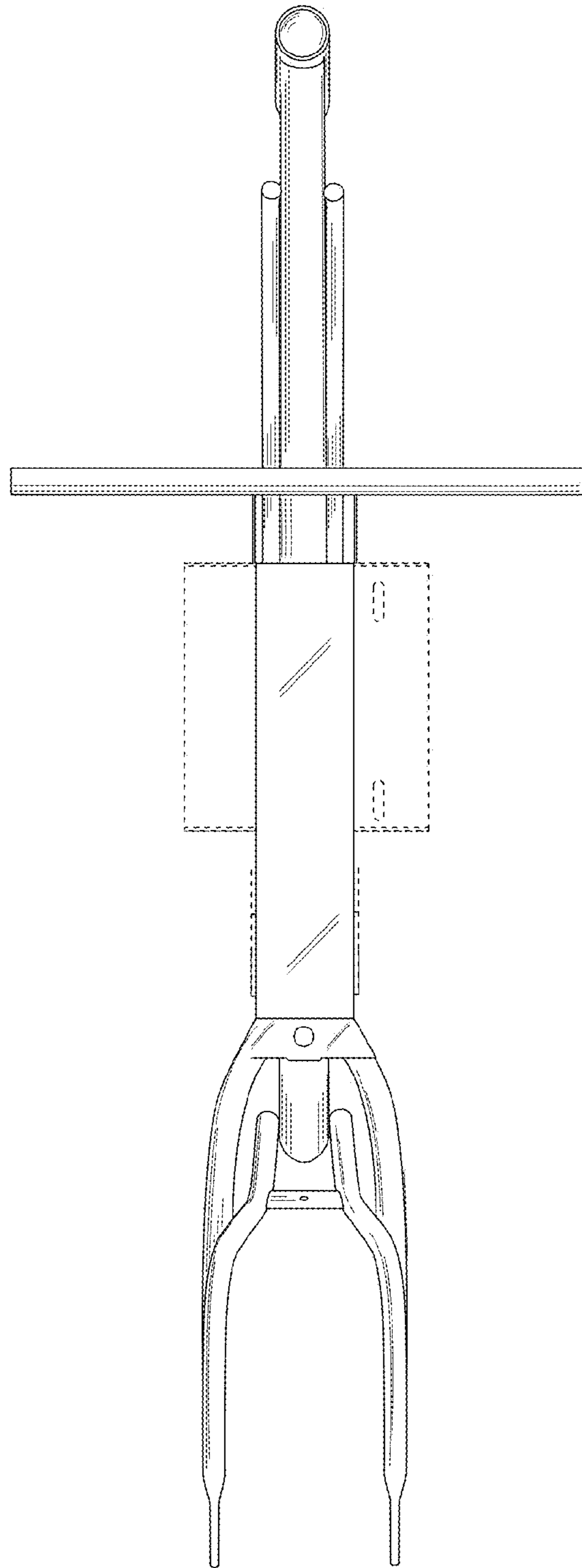


FIG. 7

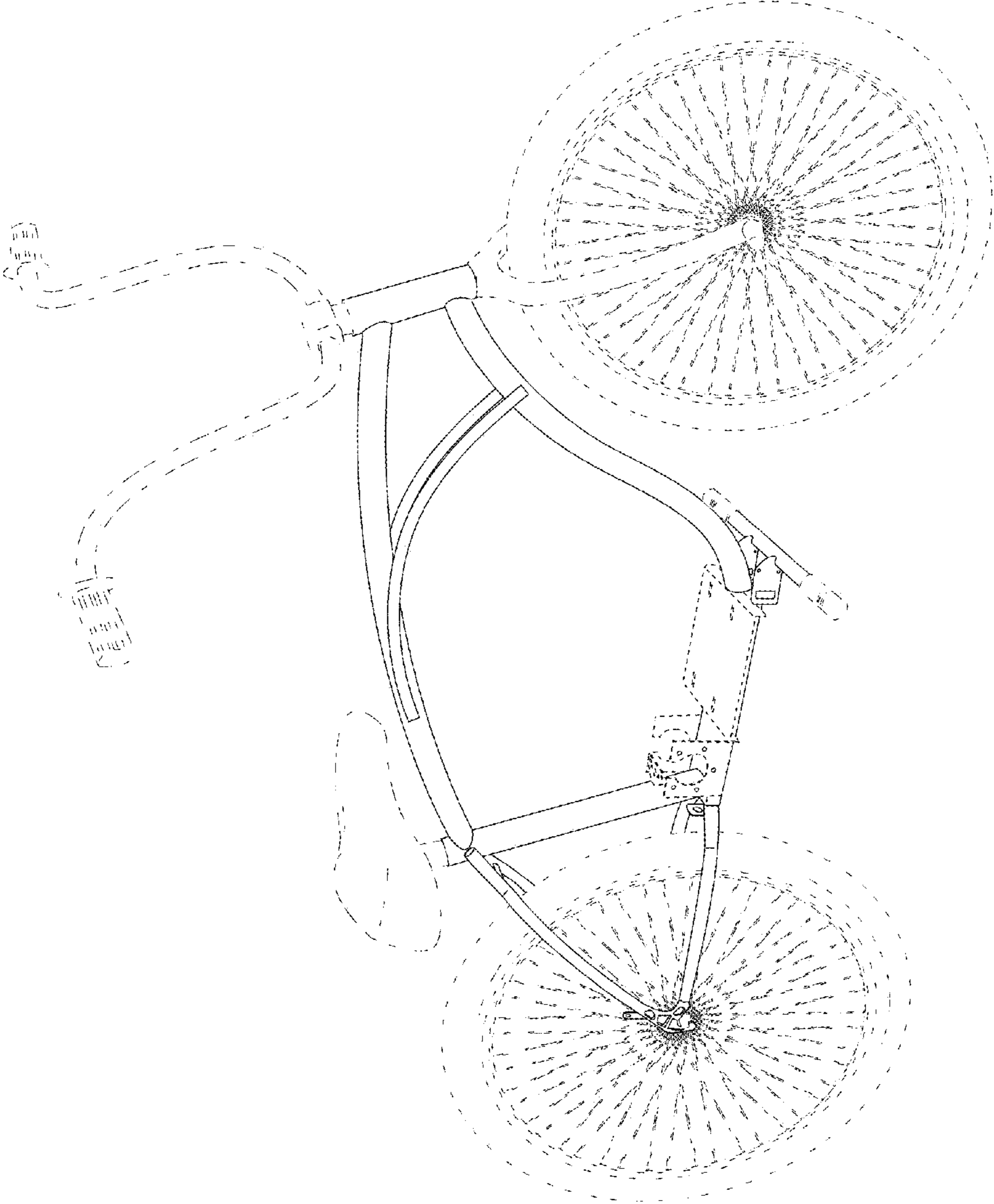


FIG. 8