



US00D742274S

(12) **United States Design Patent**  
**Liberman et al.**

(10) **Patent No.:** **US D742,274 S**

(45) **Date of Patent:** **\*\* Nov. 3, 2015**

(54) **BANGLE BRACELET**

(71) Applicant: **Kinekt Design, LLC**, Livingston, NJ  
(US)

(72) Inventors: **Glen Liberman**, Short Hills, NJ (US);  
**Rachel Liberman**, Short Hills, NJ (US);  
**Jess Fugler**, London (GB)

(73) Assignee: **Kinekt Design, LLC**, Livingston, NJ  
(US)

(\*\*) Term: **14 Years**

(21) Appl. No.: **29/473,921**

(22) Filed: **Nov. 26, 2013**

(51) **LOC (10) Cl.** ..... **11-01**

(52) **U.S. Cl.**  
USPC ..... **D11/4**

(58) **Field of Classification Search**  
USPC ..... D11/1-41, 46, 48, 77-83, 86, 87,  
D11/89-90, 93, 94, 100, 138, 184, 200,  
D11/201; 63/1.11-1.17, 3, 3.1, 3.2, 4, 5.1,  
63/5.2, 6-11, 15, 15.1, 15.4, 15.45, 15.5,  
63/15.6, 15.65, 15.7, 21, 22, 24, 25, 33,  
63/38; D3/201, 203.1, 203.2, 215, 226;  
D10/30, 32, 38; D14/344; D7/633;  
D28/41  
CPC ..... A44C 5/00; A44C 5/2019; A44C 13/00;  
A44C 9/00; A44C 15/002  
See application file for complete search history.

(56) **References Cited**

**U.S. PATENT DOCUMENTS**

1,280,707 A \* 10/1918 Gebhardt ..... 63/15  
D58,603 S \* 8/1921 Lapidus ..... D11/38  
D59,236 S \* 10/1921 Lapidus ..... D11/38  
D59,314 S \* 10/1921 Winsen ..... D11/38  
1,422,819 A \* 7/1922 Blaicher ..... 63/15  
D61,982 S \* 2/1923 Lapidus ..... D11/4

D149,396 S \* 4/1948 Babin ..... D11/5  
3,559,854 A \* 2/1971 Loveland ..... 63/1.14  
D273,261 S \* 4/1984 Sun ..... D7/633  
D277,171 S \* 1/1985 Bulgari ..... D11/3  
D337,067 S \* 7/1993 Patterson ..... D10/30  
D416,512 S \* 11/1999 Rossi ..... D11/93  
D646,192 S \* 10/2011 Woode ..... D11/3  
D652,336 S \* 1/2012 Molik ..... D11/3  
D677,191 S \* 3/2013 Benjamin ..... D11/4  
8,784,218 B2 \* 7/2014 Harris ..... 2/170  
D734,686 S \* 7/2015 Alton ..... D11/35  
2005/0257567 A1 \* 11/2005 Bondanza ..... 63/15.1  
2015/0143846 A1 \* 5/2015 Liberman et al. .... 63/3

\* cited by examiner

*Primary Examiner* — Cynthia Ramirez

*Assistant Examiner* — Llorellys Martinez-Rivera

(74) *Attorney, Agent, or Firm* — Brouse McDowell; Michael  
G. Craig

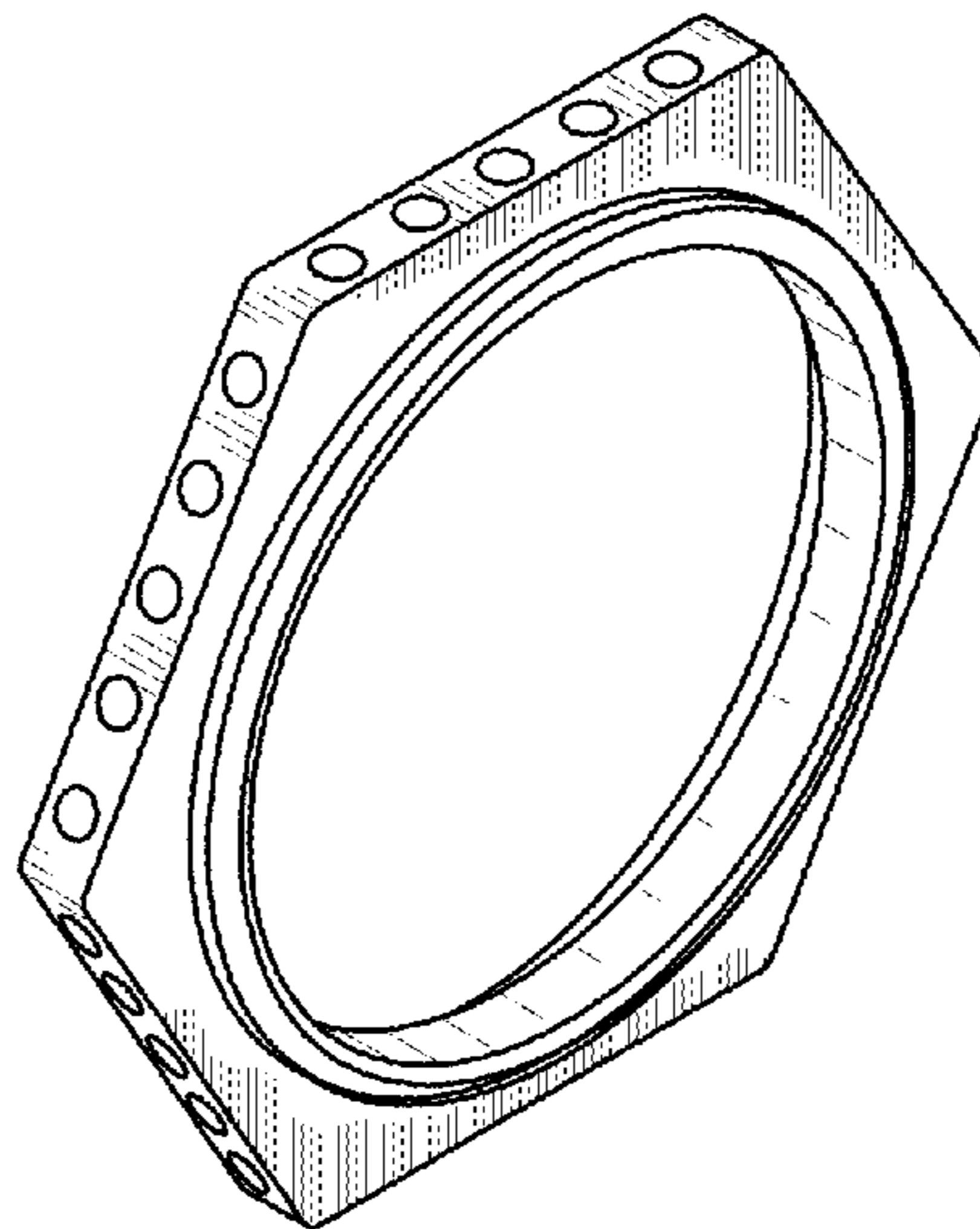
(57) **CLAIM**

The ornamental design for a bangle bracelet, as shown and  
described.

**DESCRIPTION**

FIG. 1 is a top, left and front perspective view of a bangle  
bracelet showing our new design;  
FIG. 2 is a bottom, right and rear perspective view thereof;  
FIG. 3 is a front elevation view thereof;  
FIG. 4 is a rear elevation view thereof;  
FIG. 5 is a top plan view thereof;  
FIG. 6 is bottom plan view thereof;  
FIG. 7 is a left side elevation view thereof;  
FIG. 8 is a right side elevation view thereof;  
FIG. 9 is a top, left and front perspective view, showing the  
bangle bracelet in a stacked configuration of use; and,  
FIG. 10 is bottom, right and rear perspective view, showing  
the bangle bracelet in a stacked configuration of use.  
The broken lines shown in FIGS. 9 and 10 illustrate environ-  
mental subject matter only and form no part of the claimed  
design.

**1 Claim, 4 Drawing Sheets**



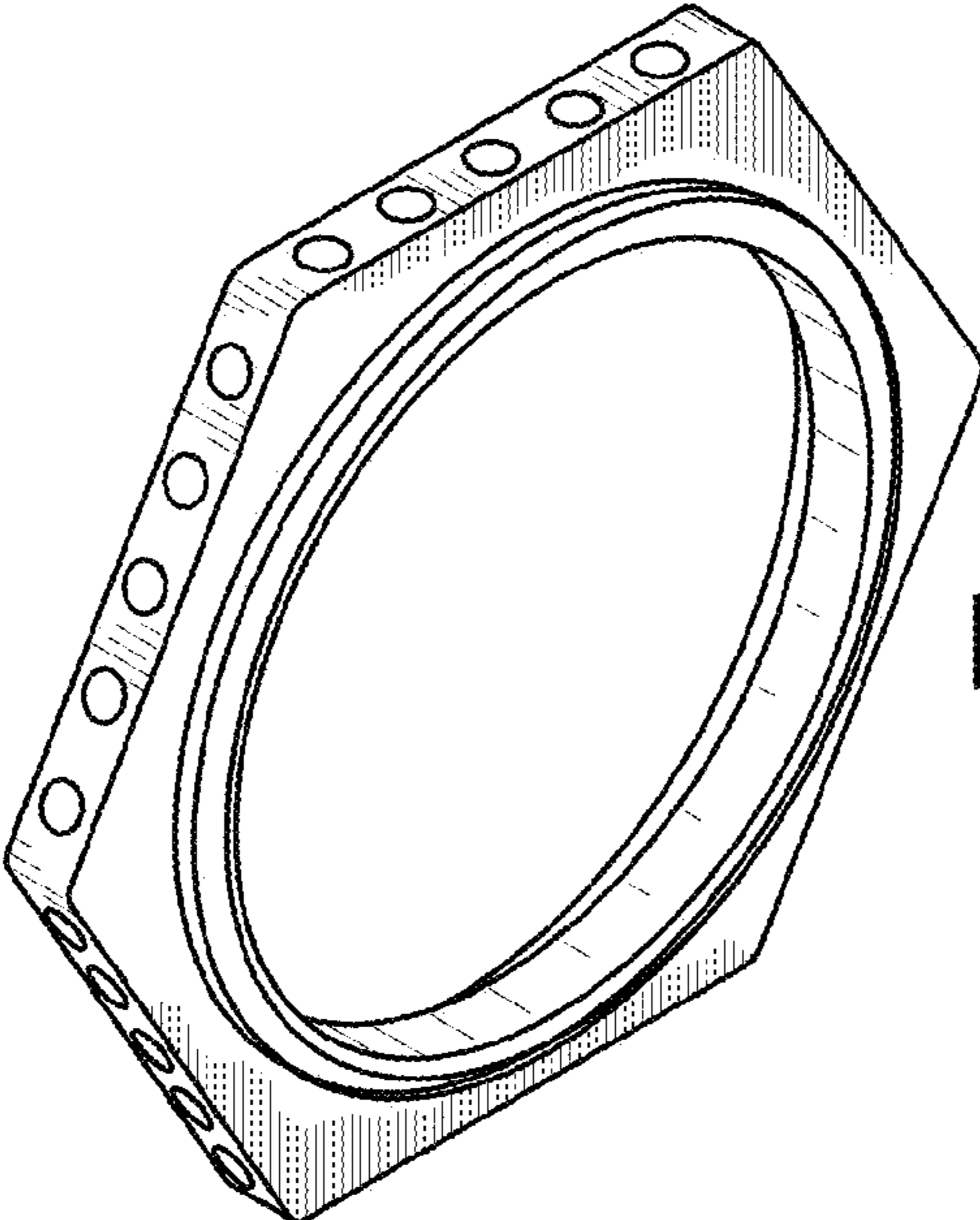


FIG. 1

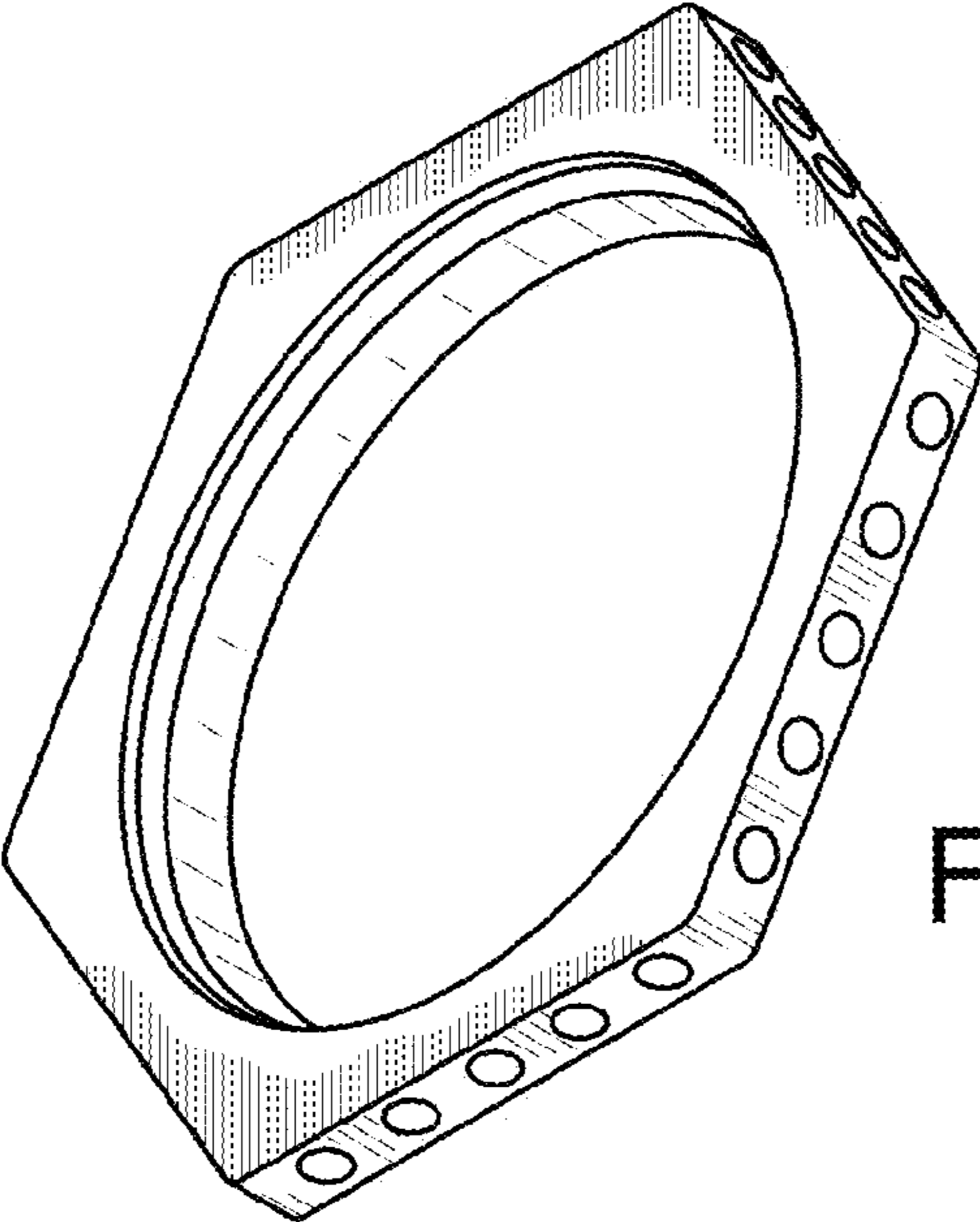


FIG. 2

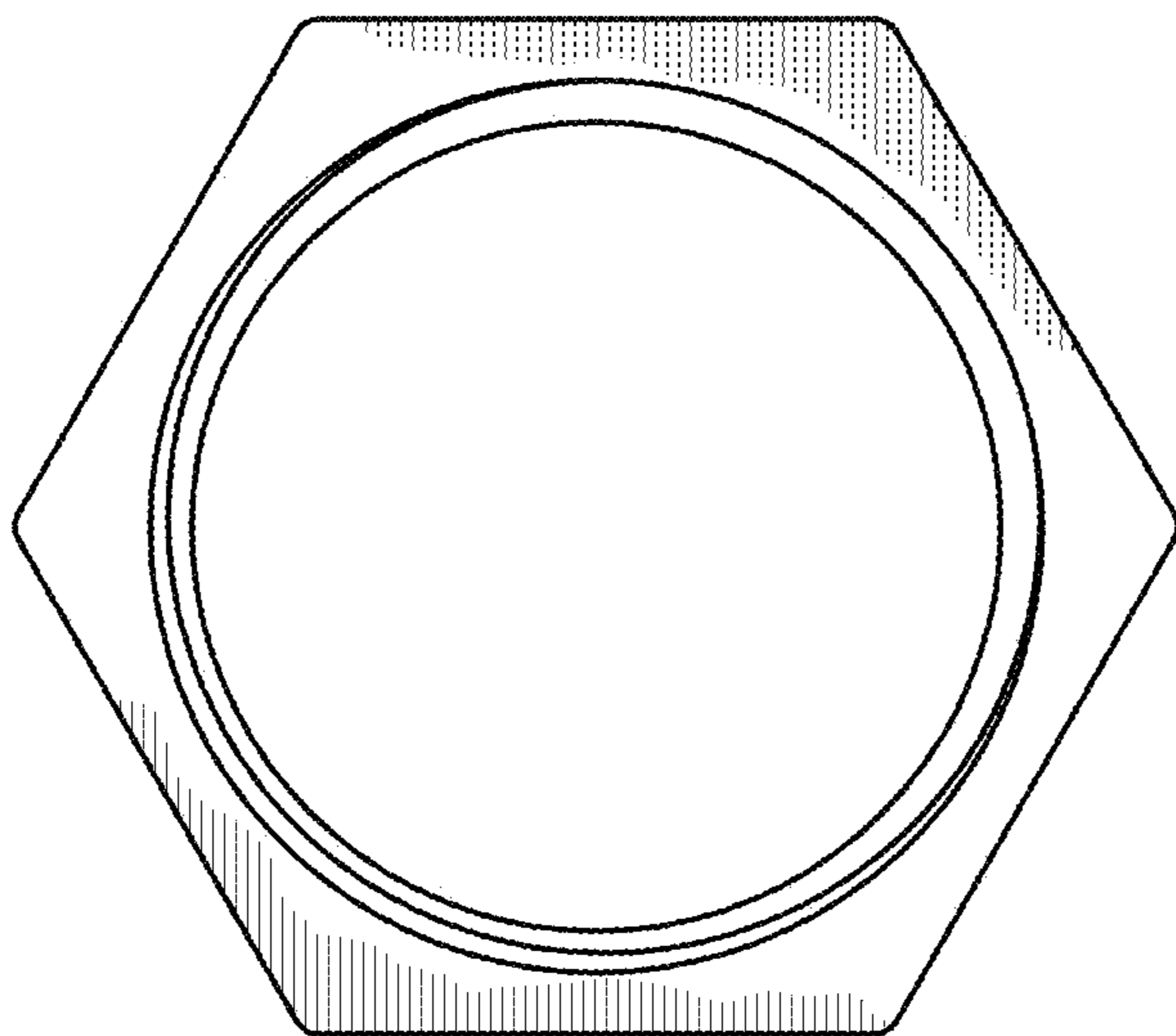


FIG. 3

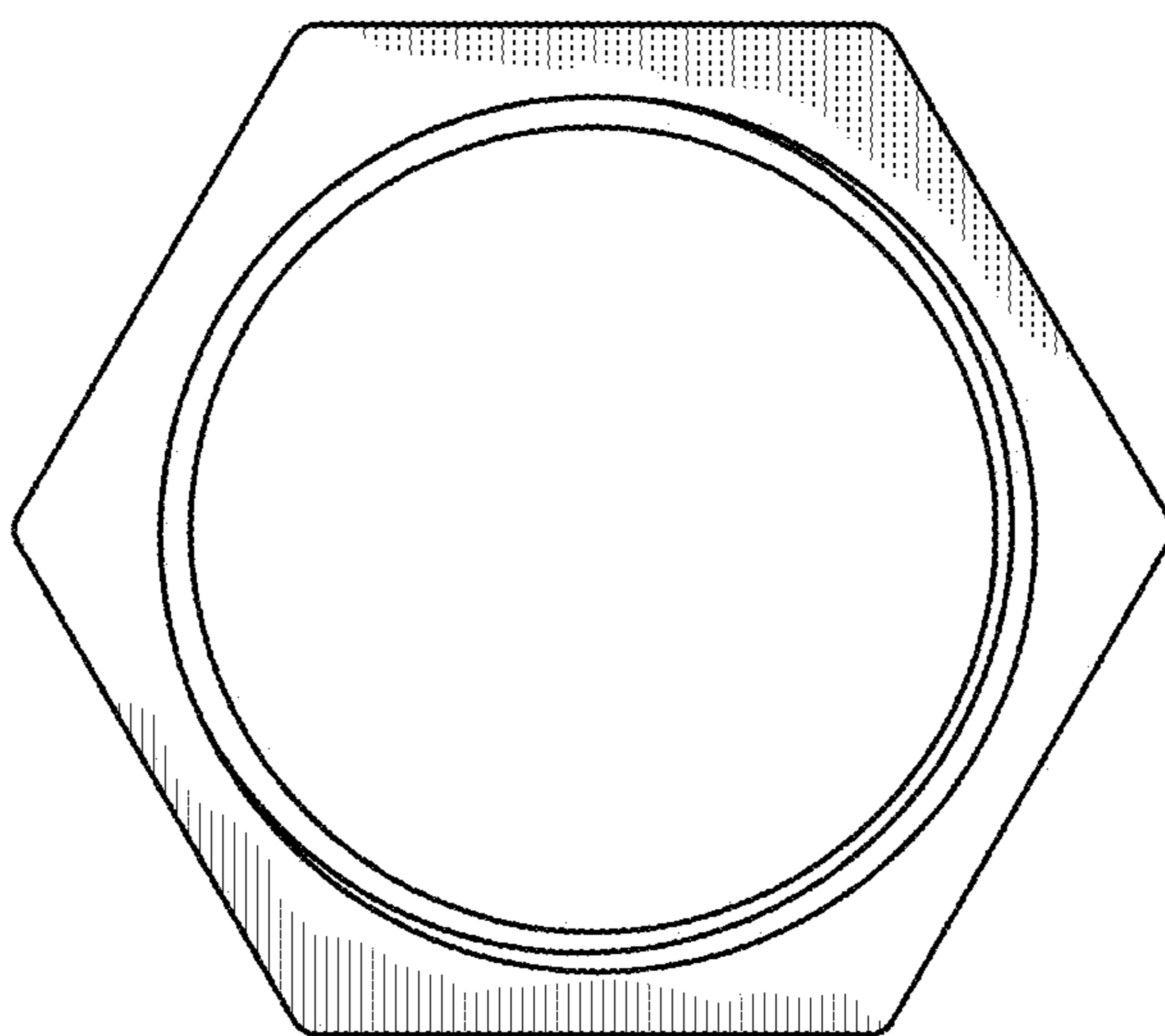


FIG. 4

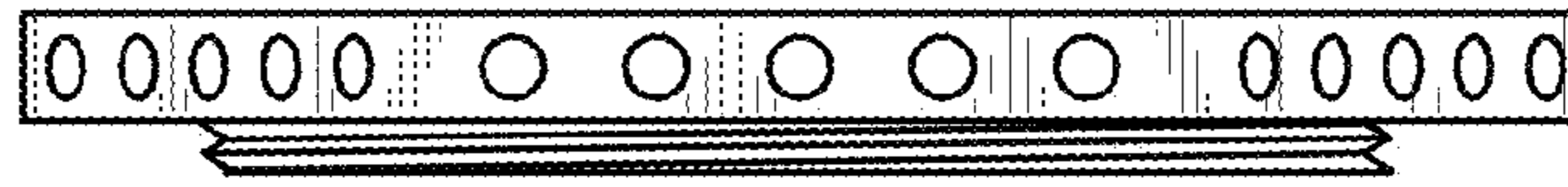


FIG. 5



FIG. 6



FIG. 7



FIG. 8

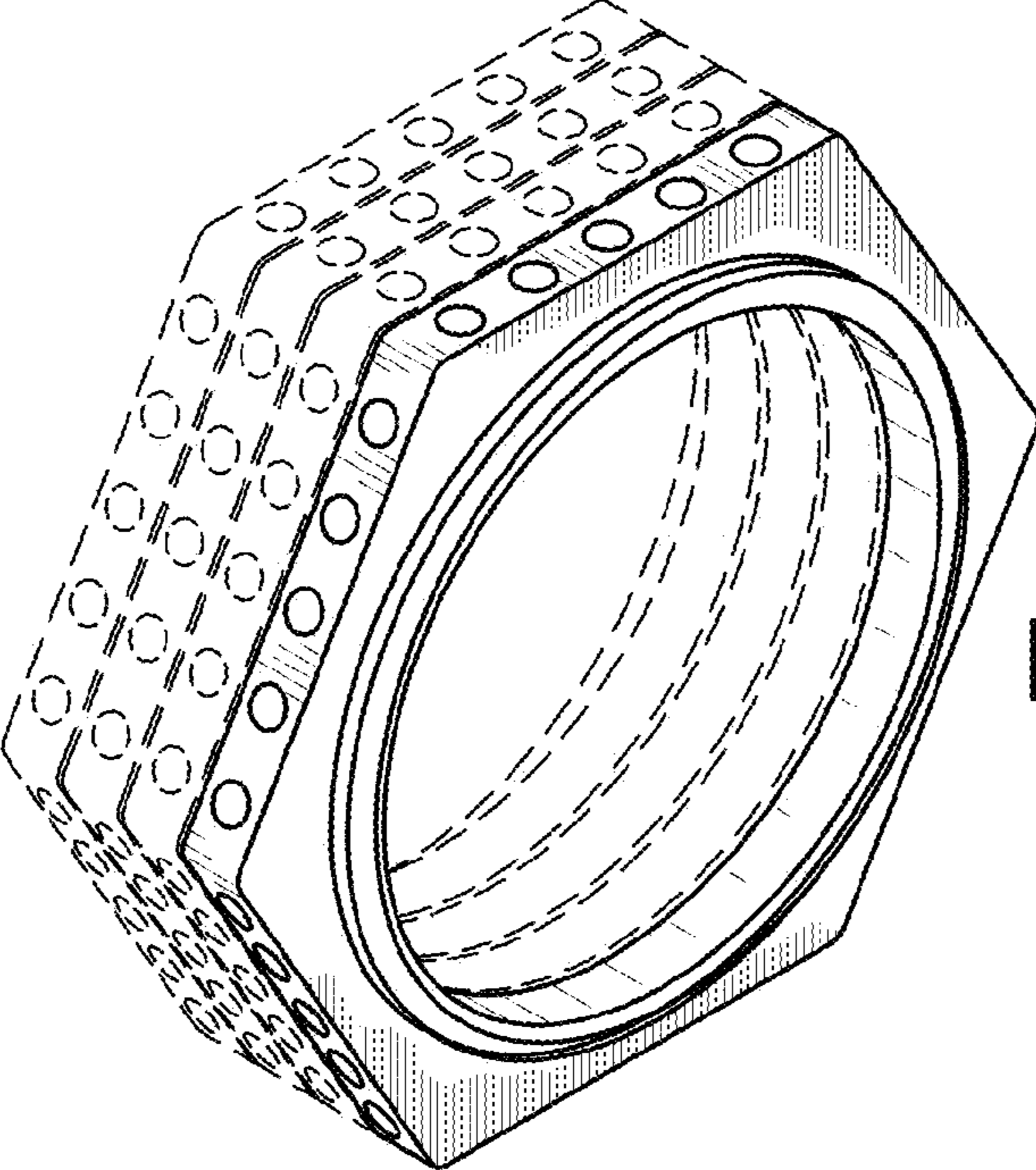


FIG. 9

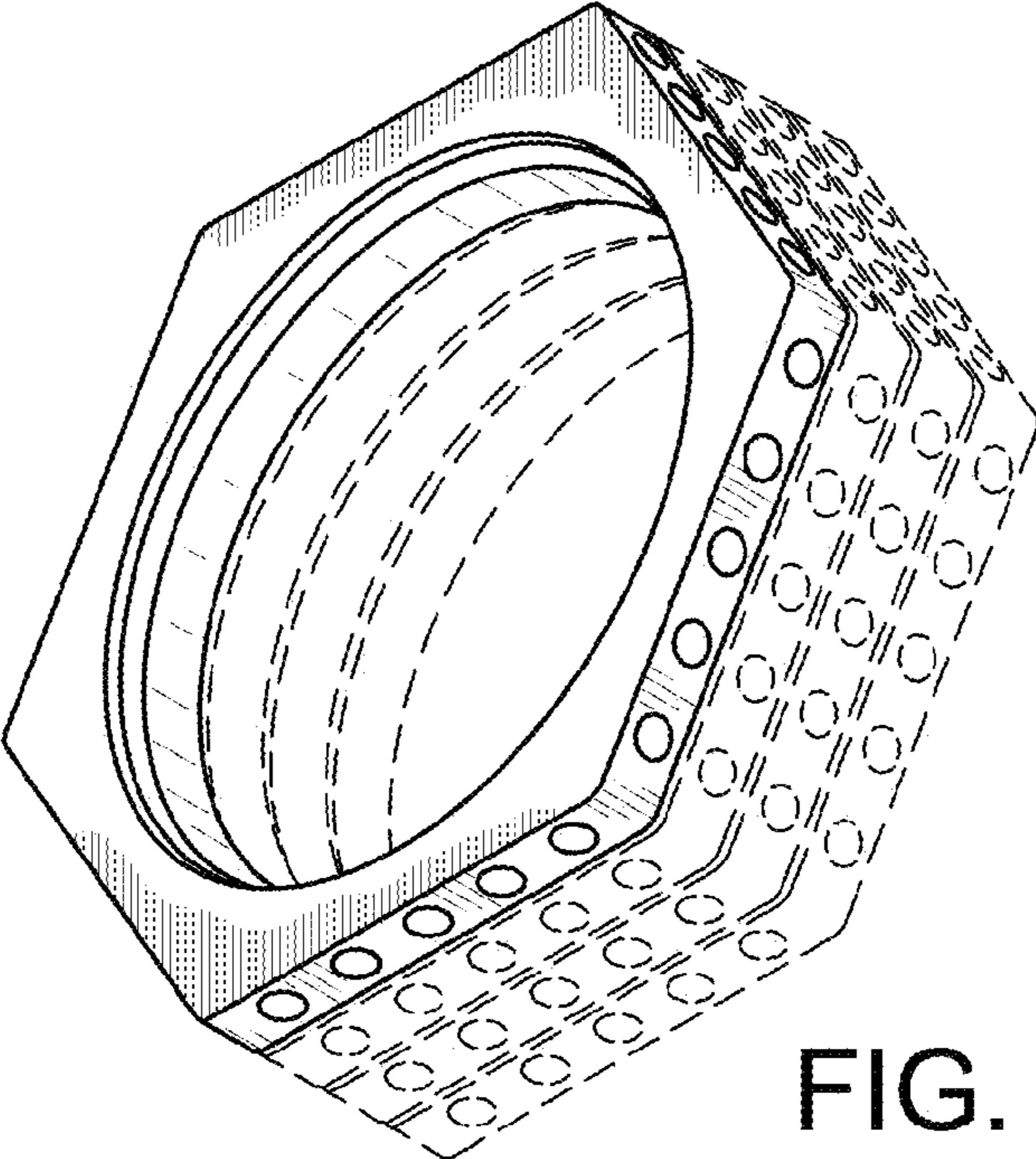


FIG. 10