



US00D742272S

(12) **United States Design Patent**  
**Bailey et al.**

(10) **Patent No.:** **US D742,272 S**  
(45) **Date of Patent:** **\*\* Nov. 3, 2015**

(54) **PORTION OF AN EXPANDABLE ARMBAND**

(56) **References Cited**

(71) Applicant: **Thalmic Labs Inc.**, Kitchener (CA)

U.S. PATENT DOCUMENTS

(72) Inventors: **Matthew Bailey**, Kitchener (CA);  
**Stephen E. Orzel**, Hamilton (CA);  
**Graham T. Hills**, Hamilton (CA); **Kirk**  
**A. Mosna**, Ancaster (CA)

1,411,995	A	4/1922	Dull	
4,817,064	A *	3/1989	Milles .....	63/1.17
D322,227	S *	12/1991	Warhol .....	D10/32
5,081,852	A	1/1992	Cox	
5,251,189	A	10/1993	Thorp	
D502,661	S *	3/2005	Rappart .....	D11/3
D502,662	S *	3/2005	Rappart .....	D11/3
D503,646	S	4/2005	Rappart	
6,880,364	B1	4/2005	Vidolin et al.	
7,086,218	B1 *	8/2006	Pasach .....	63/15
D535,401	S *	1/2007	Travis et al. ....	D24/206
7,450,107	B2 *	11/2008	Radley-Smith .....	63/1.11
D646,192	S	10/2011	Woode	
D654,622	S	2/2012	Hsu	
D661,613	S	6/2012	Demeglio	
D682,727	S	5/2013	Bulgari	

(73) Assignee: **Thalmic Labs Inc.**, Kitchener (CA)

(\*\*) Term: **14 Years**

(21) Appl. No.: **29/504,607**

(22) Filed: **Oct. 7, 2014**

(Continued)

**Related U.S. Application Data**

(63) Continuation of application No. 29/490,952, filed on May 15, 2014, now Pat. No. Des. 717,685.

(51) **LOC (10) Cl.** ..... **11-01**

(52) **U.S. Cl.**

USPC ..... **D11/3; D11/86**

(58) **Field of Classification Search**

USPC ..... D11/1-41, 46, 48, 77-83, 86, 87,  
D11/89-90, 93, 94, 100, 138, 184, 200,  
D11/201; 63/1.11-1.17, 3, 3.1, 3.2, 4, 5.1,  
63/5.2, 6-11, 15, 15.1, 15.4, 15.45, 15.5,  
63/15.6, 15.65, 15.7, 21, 22, 24, 25, 33,  
63/38; D3/203.1, 203.2, 215, 226;  
D10/30, 32, 38; D14/344; D28/41;  
D24/186, 215, 206; 368/276-278,  
368/281-283, 285-287  
CPC ..... A44C 5/00; A44C 5/2019; A44C 13/00;  
A44C 9/00; A44C 15/002

See application file for complete search history.

*Primary Examiner* — Cynthia Ramirez

*Assistant Examiner* — Llorellys Martinez-Rivera

(74) *Attorney, Agent, or Firm* — Seed IP Law Group PLLC

(57) **CLAIM**

The ornamental design for a portion of an expandable armband, as shown and described.

**DESCRIPTION**

FIG. 1 is a top isometric view of a portion of an expandable armband showing our new design.

FIG. 2 is a bottom isometric view thereof.

FIG. 3 is a top plan view thereof.

FIG. 4 is a bottom plan view thereof.

FIG. 5 is a front elevational view thereof.

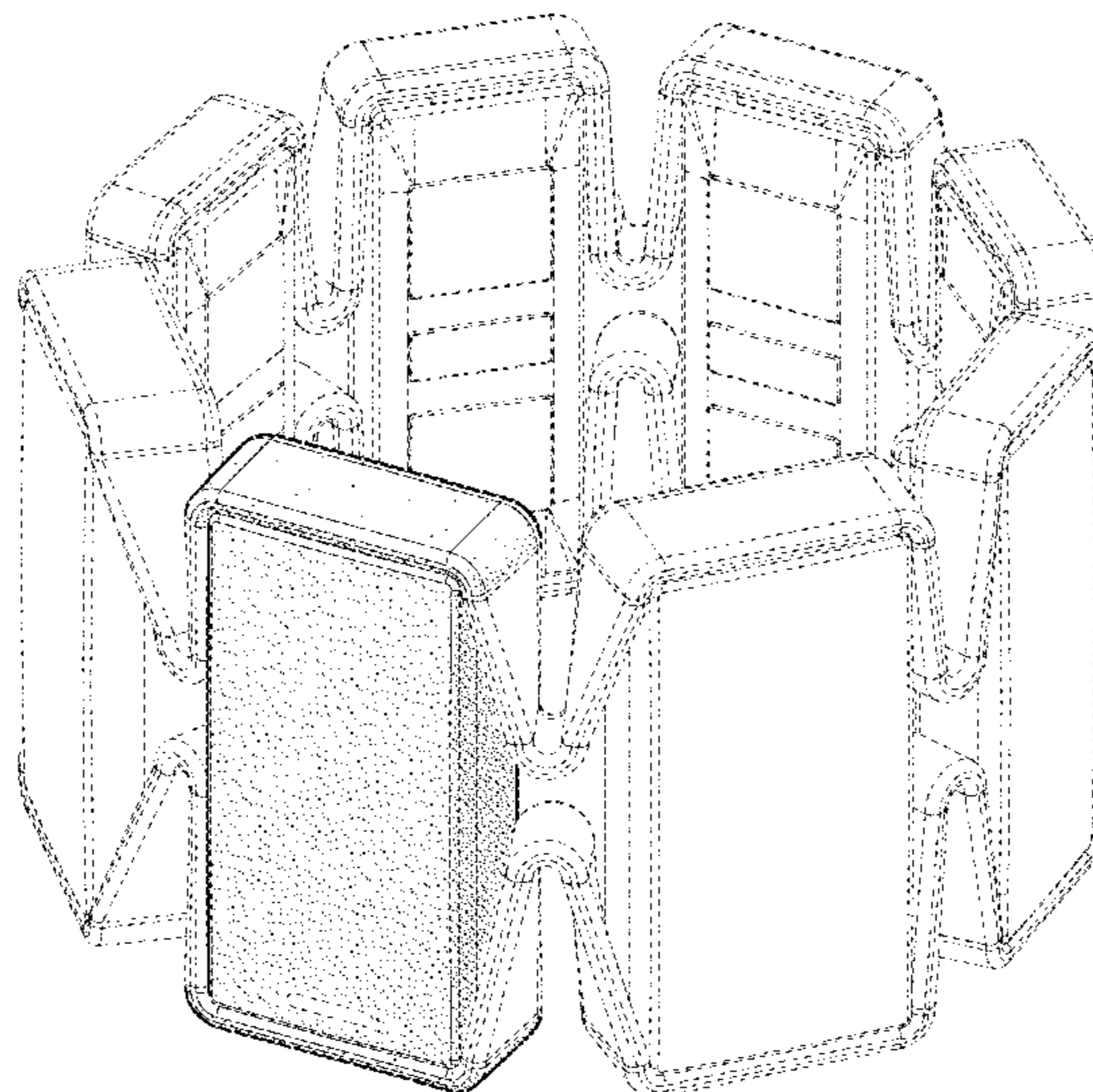
FIG. 6 is a rear elevational view thereof.

FIG. 7 is a left side elevational view thereof; and,

FIG. 8 is a right side elevational view thereof.

Stippling and contour lines shown in the drawings indicate areas of light and shadow, and contours of the portion of the expandable armband, and do not indicate surface decoration. In the drawings, the broken lines illustrate portions of the expandable armband that form no part of the claimed design.

**1 Claim, 6 Drawing Sheets**



(56)

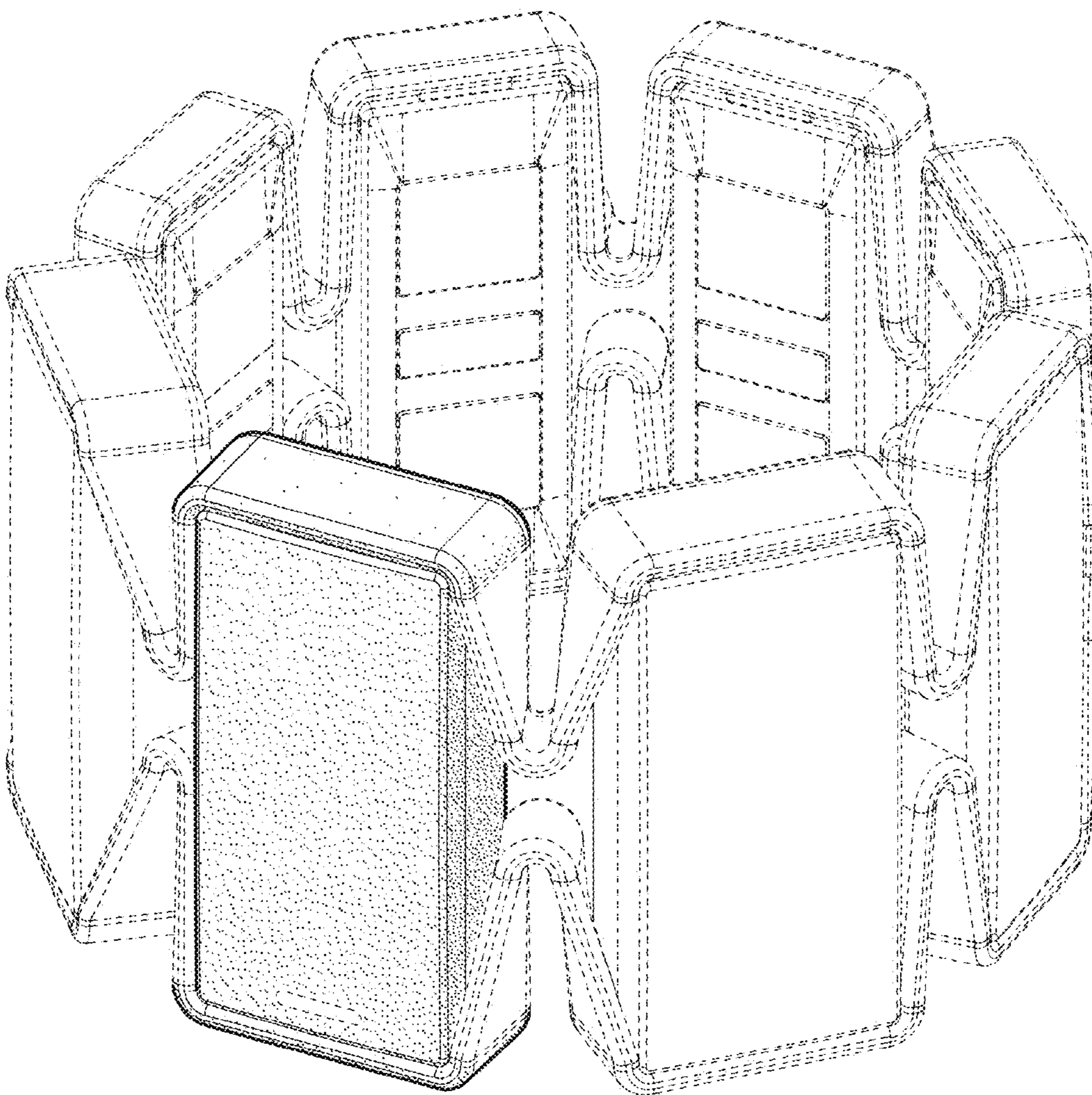
**References Cited**

U.S. PATENT DOCUMENTS

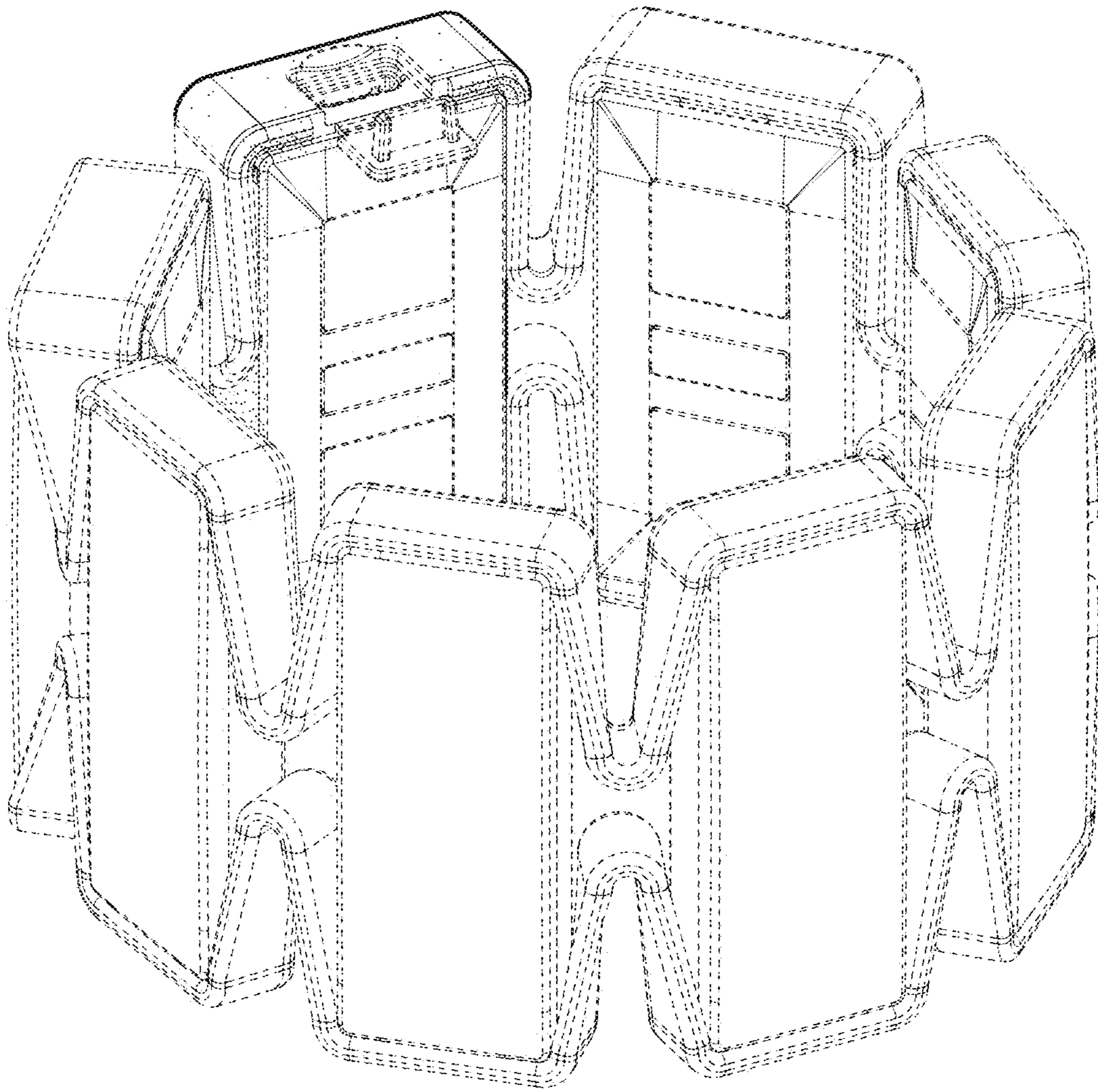
D695,454 S 12/2013 Moore  
D716,457 S \* 10/2014 Brefka et al. .... D24/186  
D717,685 S \* 11/2014 Bailey et al. .... D11/3

2004/0194500 A1\* 10/2004 Rapport ..... 63/1.11  
2005/0005637 A1 1/2005 Rapport  
2006/0037359 A1 2/2006 Stinespring  
2009/0007597 A1\* 1/2009 Hanevold ..... 63/1.14  
2009/0031757 A1\* 2/2009 Harding ..... 63/3.2

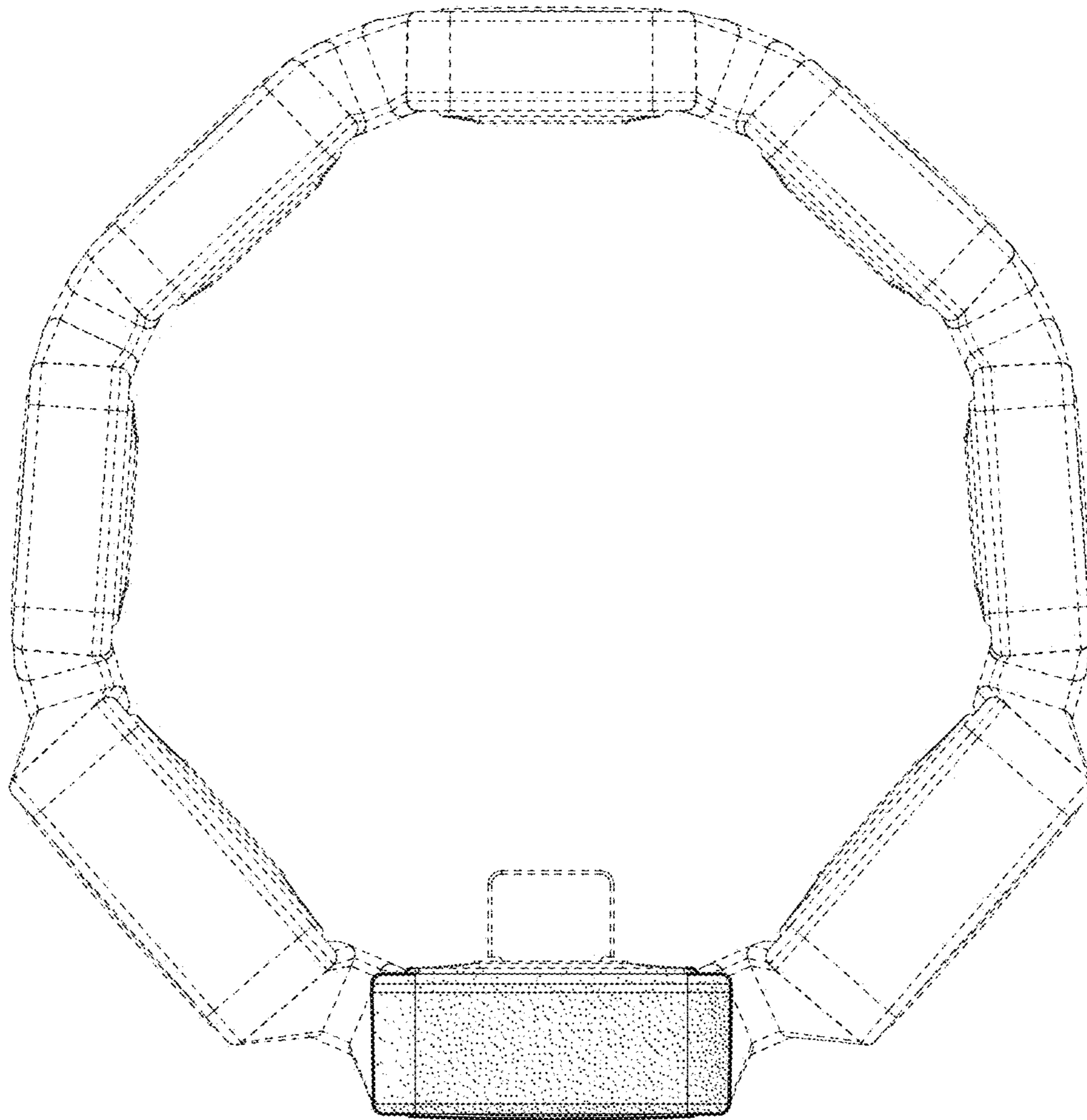
\* cited by examiner



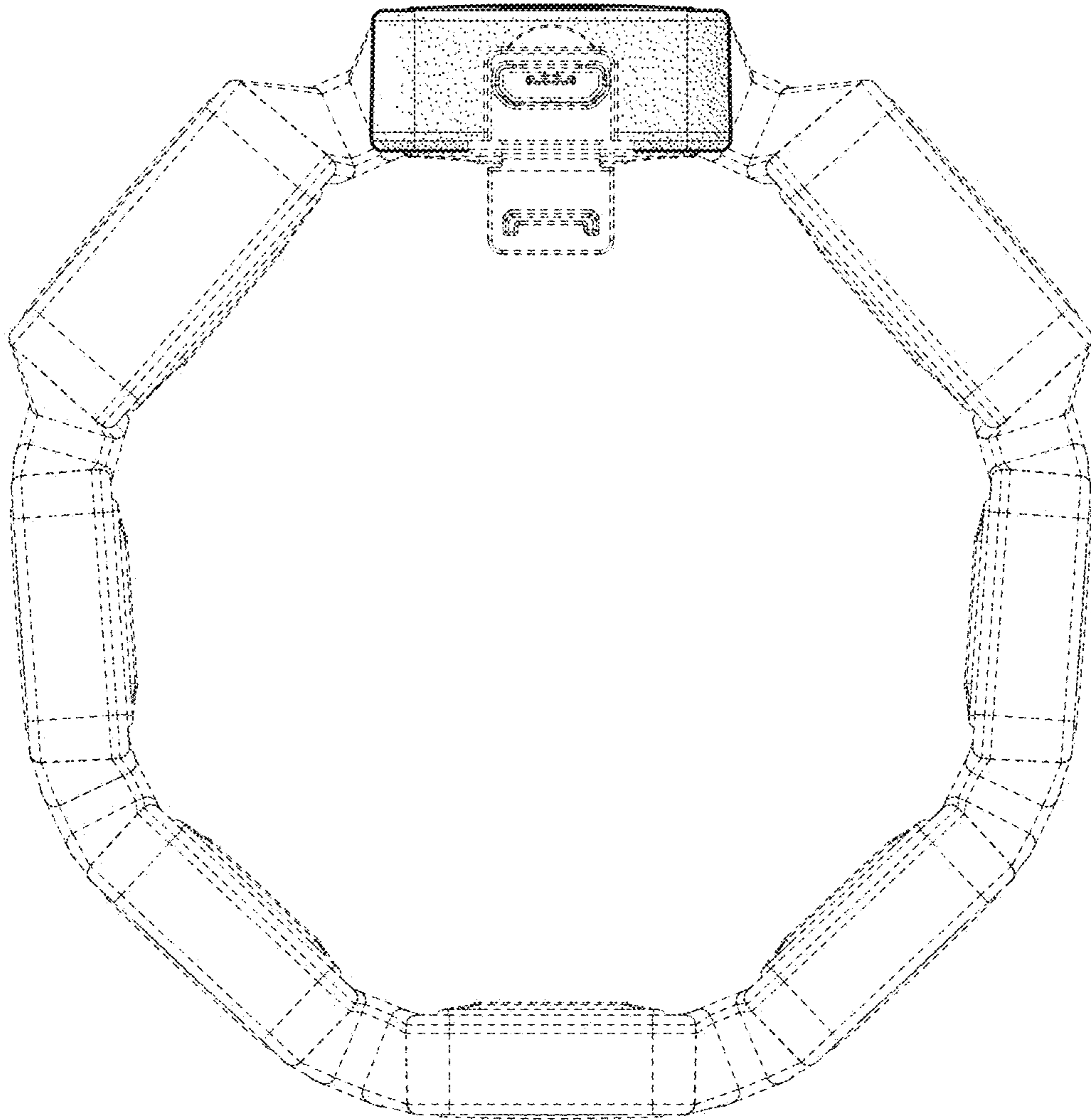
***FIG. 1***



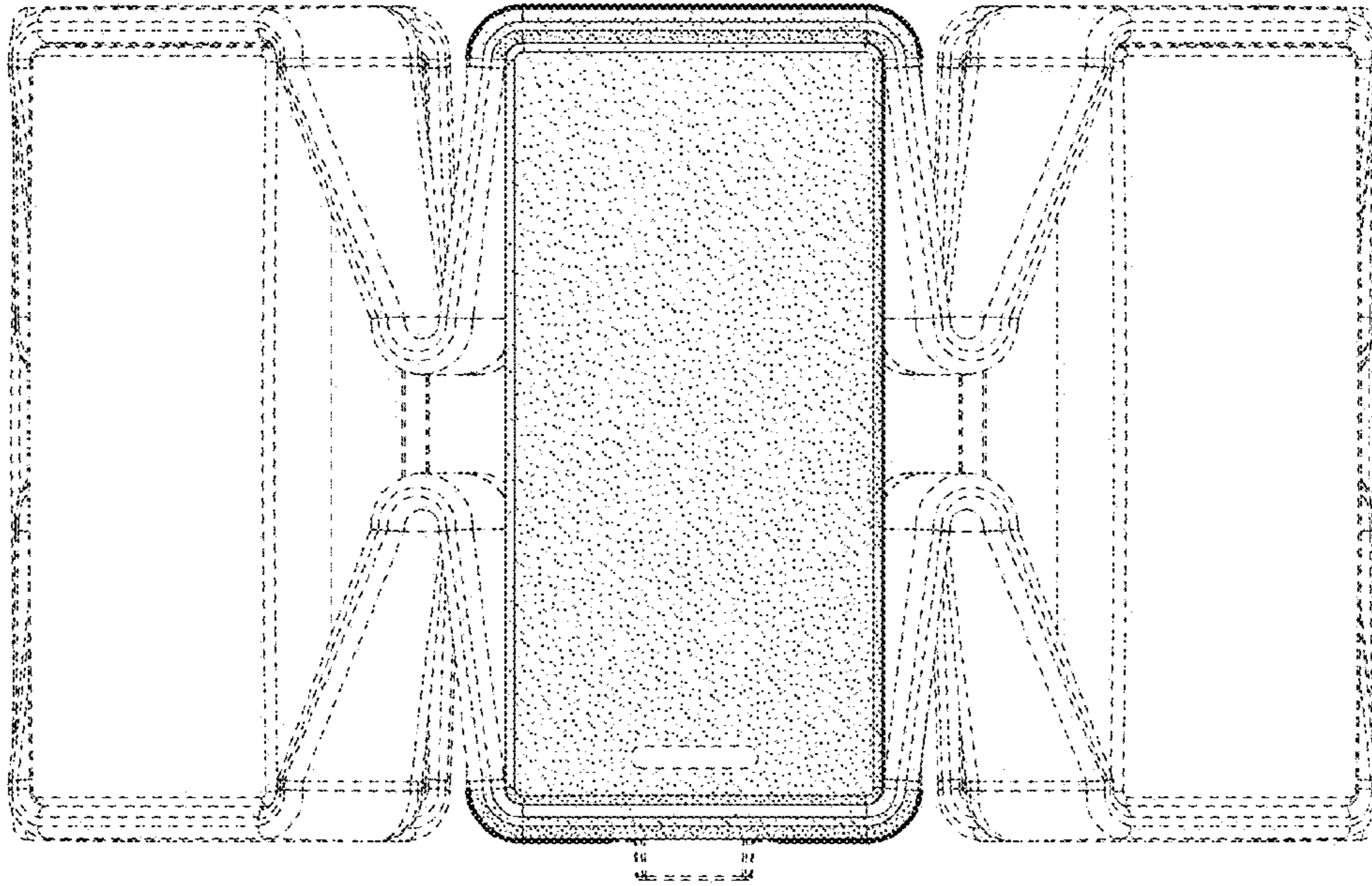
**FIG. 2**



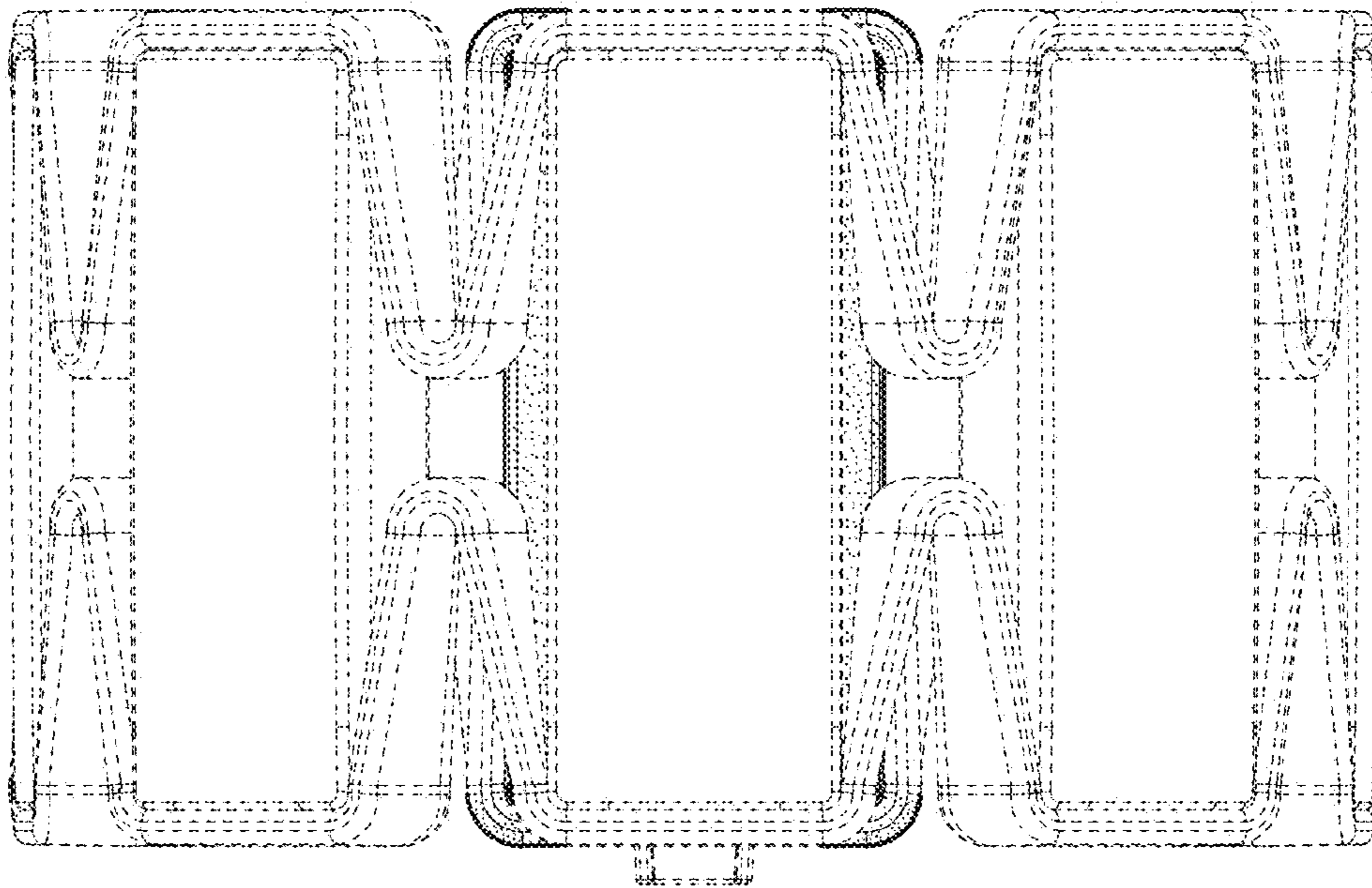
**FIG. 3**



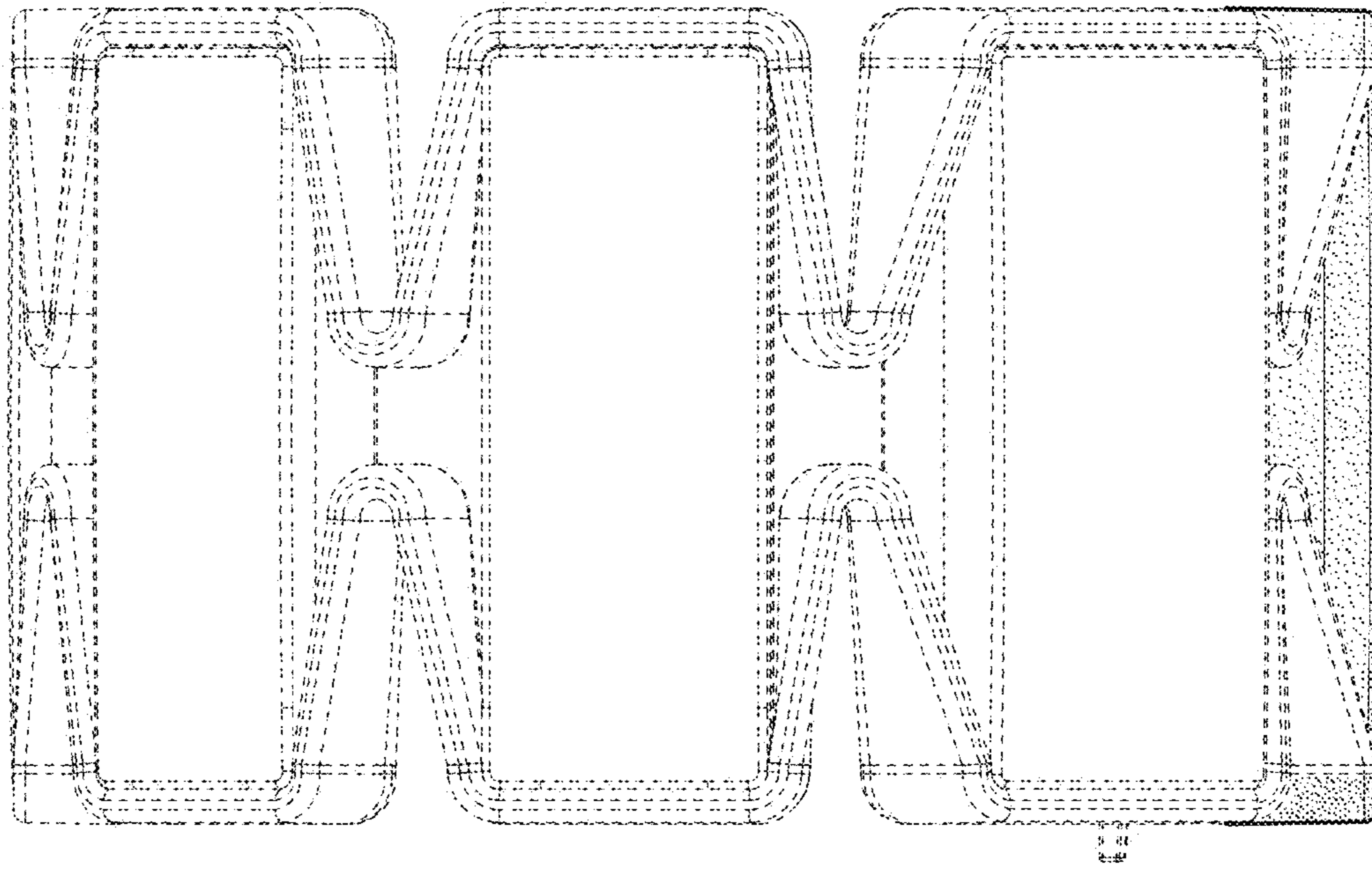
***FIG. 4***



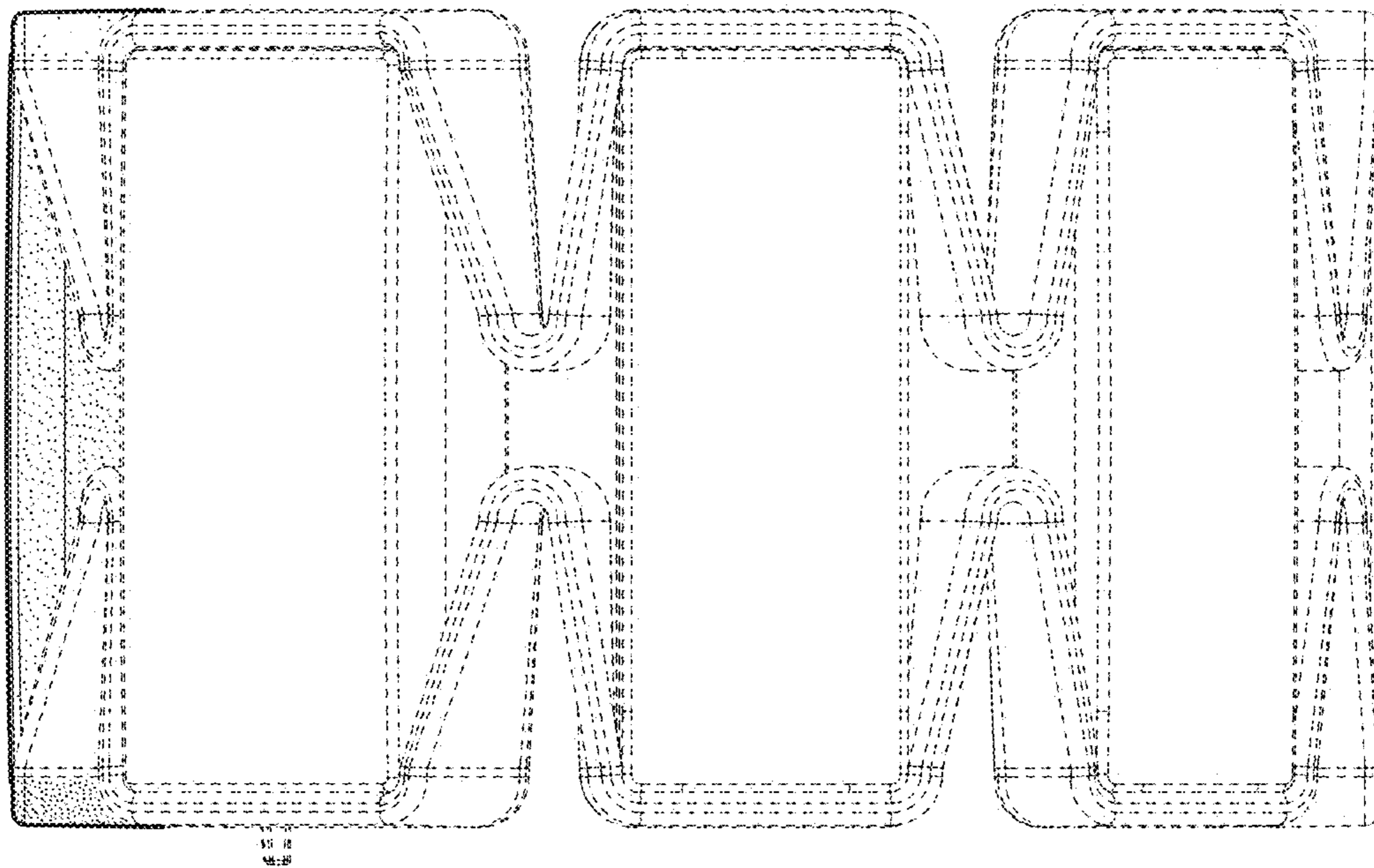
**FIG. 5**



**FIG. 6**



**FIG. 7**



**FIG. 8**