



US00D742267S

(12) **United States Design Patent**
Strong et al.

(10) **Patent No.:** **US D742,267 S**

(45) **Date of Patent:** **** Nov. 3, 2015**

(54) **REFLECTOR**

(71) Applicant: **Dow Corning Corporation**, Midland, MI (US)

(72) Inventors: **Michael Raymond Strong**, Midland, MI (US); **Harold W. Brunt, Jr.**, Grand Rapids, MI (US); **Wei Rong**, Midland, MI (US); **Jacob William Steinbrecher**, Midland, MI (US); **Emil Radkov**, Midland, MI (US)

(73) Assignee: **DOW CORNING CORPORATION**, Midland, MI (US)

(**) Term: **14 Years**

(21) Appl. No.: **29/488,693**

(22) Filed: **Apr. 22, 2014**

(51) **LOC (10) Cl.** **10-05**

(52) **U.S. Cl.**
USPC **D10/111**

(58) **Field of Classification Search**
USPC D10/111, 113.1, 113.4, 109.1, D10/114.1-114.2, 114.4, 107; D26/97, 91, D26/28, 37

See application file for complete search history.

(56) **References Cited**

U.S. PATENT DOCUMENTS

| | | | | |
|-----------|-----|---------|----------------|-----------|
| 3,419,593 | A | 12/1968 | Willing | |
| 3,504,339 | A * | 3/1970 | Bailey | 362/263 |
| 3,893,754 | A | 7/1975 | McInally | |
| 3,901,813 | A * | 8/1975 | Potopinski | 250/208.4 |
| 3,916,816 | A * | 11/1975 | Fitch | 116/63 P |
| 4,087,585 | A | 5/1978 | Schulz | |
| 4,766,176 | A | 8/1988 | Lee et al. | |
| 5,017,654 | A | 5/1991 | Togashi et al. | |

| | | | | |
|-----------|-----|---------|-------------------|---------|
| D323,789 | S * | 2/1992 | Cohen et al. | D10/111 |
| 5,194,649 | A | 3/1993 | Okawa | |
| 5,444,606 | A | 8/1995 | Barnes et al. | |
| 6,124,407 | A | 9/2000 | Lee et al. | |
| 6,550,938 | B2 | 4/2003 | Barnes, II et al. | |
| 7,710,663 | B2 | 5/2010 | Barnes et al. | |
| 8,075,162 | B2 | 12/2011 | Falicoff et al. | |

FOREIGN PATENT DOCUMENTS

| | | | |
|----|--------------|----|---------|
| KR | 1340256 | B1 | 12/2013 |
| WO | WO2013186977 | A1 | 12/2013 |

OTHER PUBLICATIONS

English language abstract for KR1340256 extracted from espace.net, on May 22, 2014; 1 page.

English language abstract for WO2013186977 extracted from espace.net, on May 7, 2014; 2 pages.

* cited by examiner

Primary Examiner — George D Kirschbaum

(74) *Attorney, Agent, or Firm* — Dow Corning Corporation

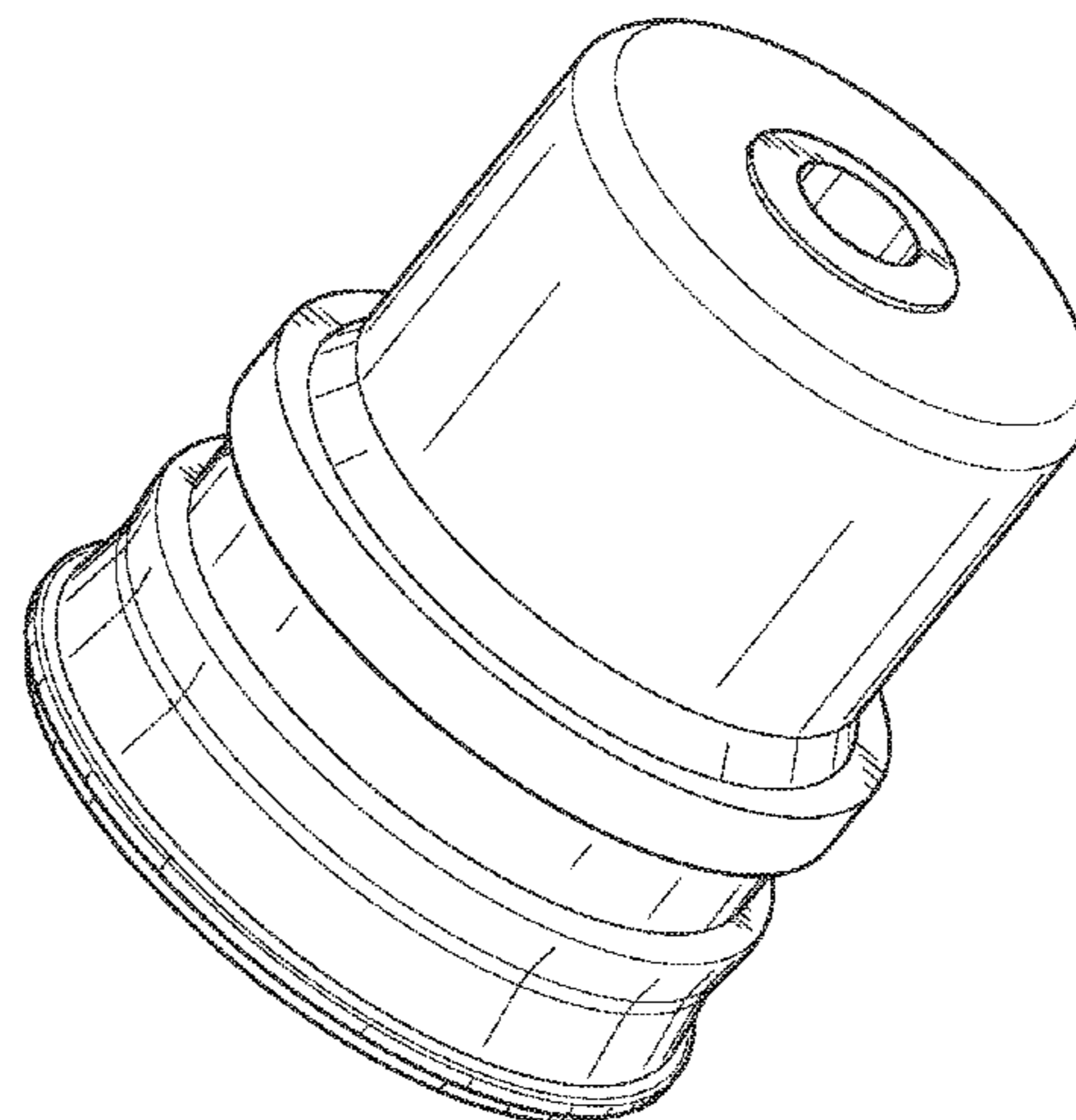
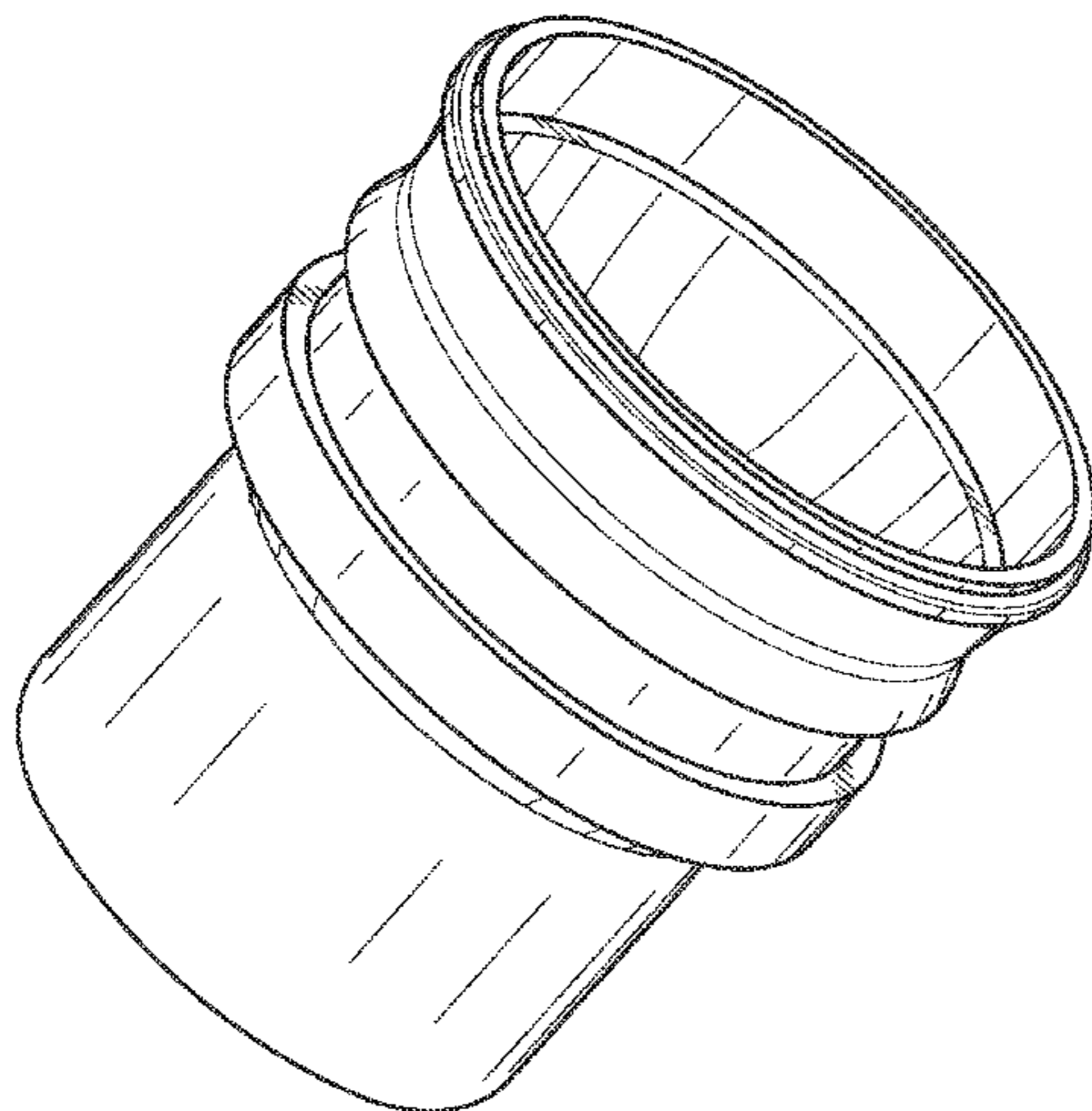
(57) **CLAIM**

The ornamental design for a reflector, as substantially shown and described.

DESCRIPTION

FIG. 1 is a top perspective view of a reflector; FIG. 2 is a bottom perspective view thereof; FIG. 3 is side view thereof; FIG. 4 is a bottom view thereof; FIG. 5 is a top view thereof; FIG. 6 is a top perspective view thereof in use; and, FIG. 7 is a top view thereof in use. The broken lines in FIG. 6 illustrate environment and form no part of the claimed design. None of the broken lines illustrated in the Figures form a part of the claimed design.

1 Claim, 3 Drawing Sheets



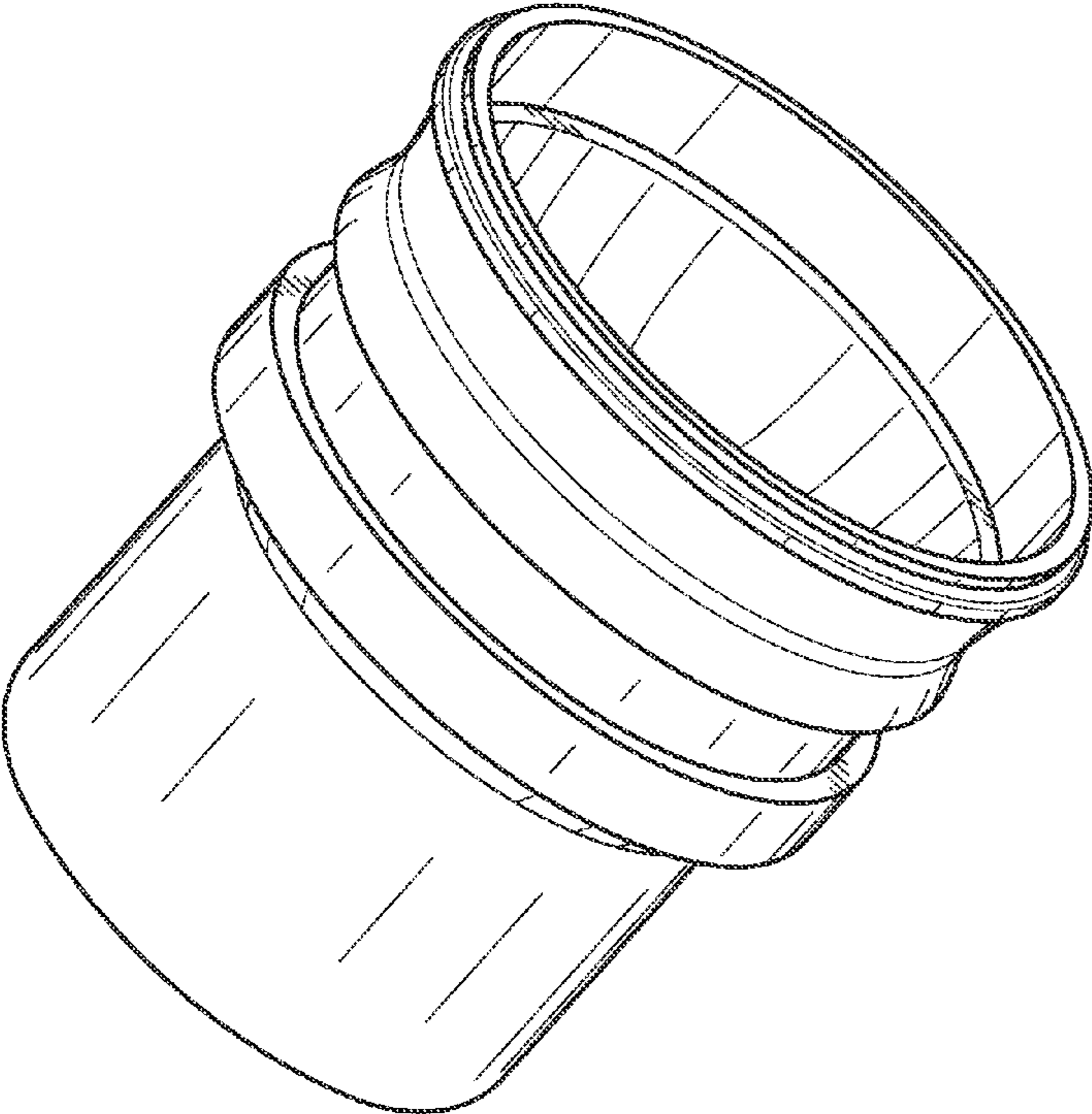
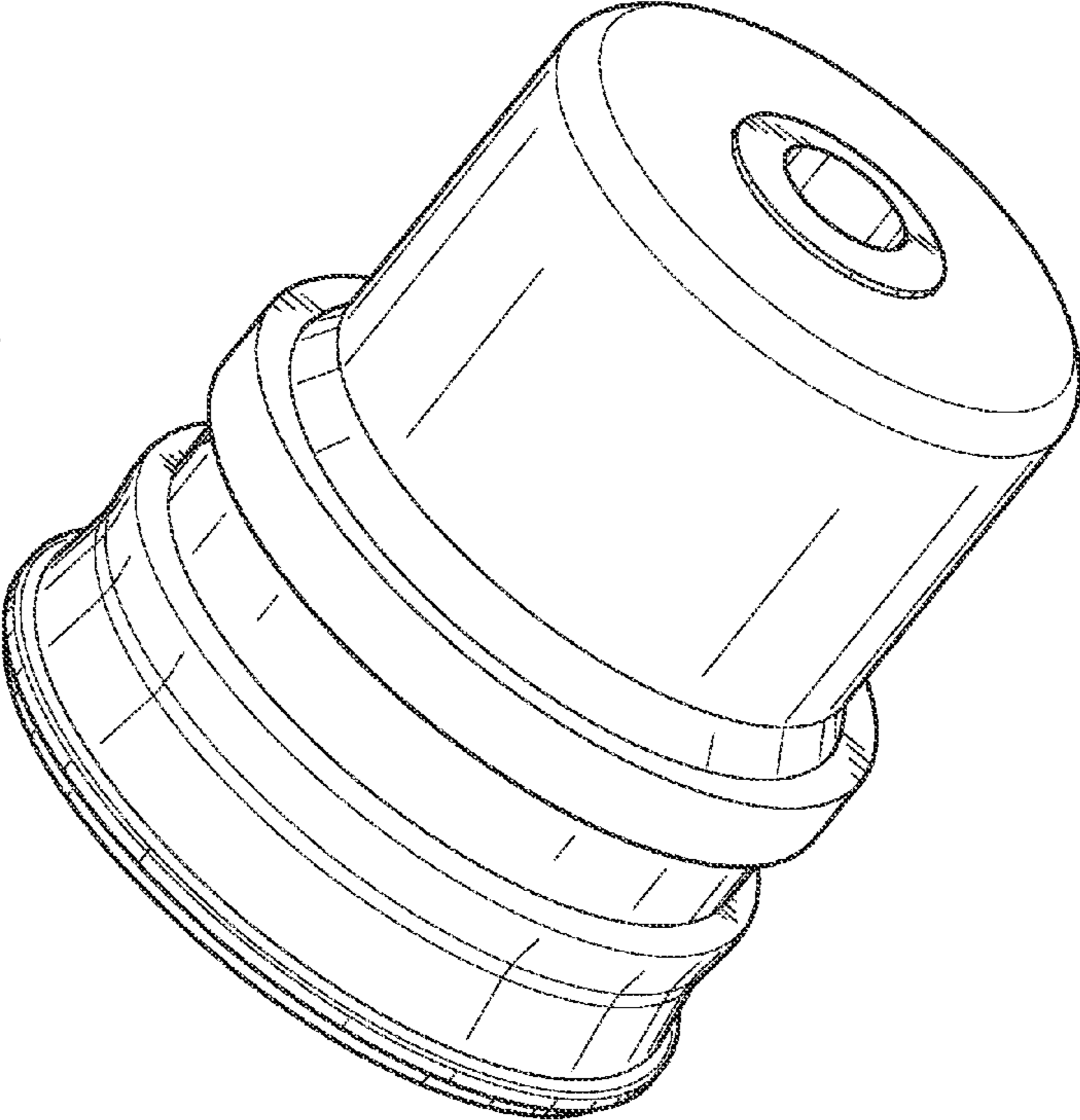


FIG. 1

FIG. 2



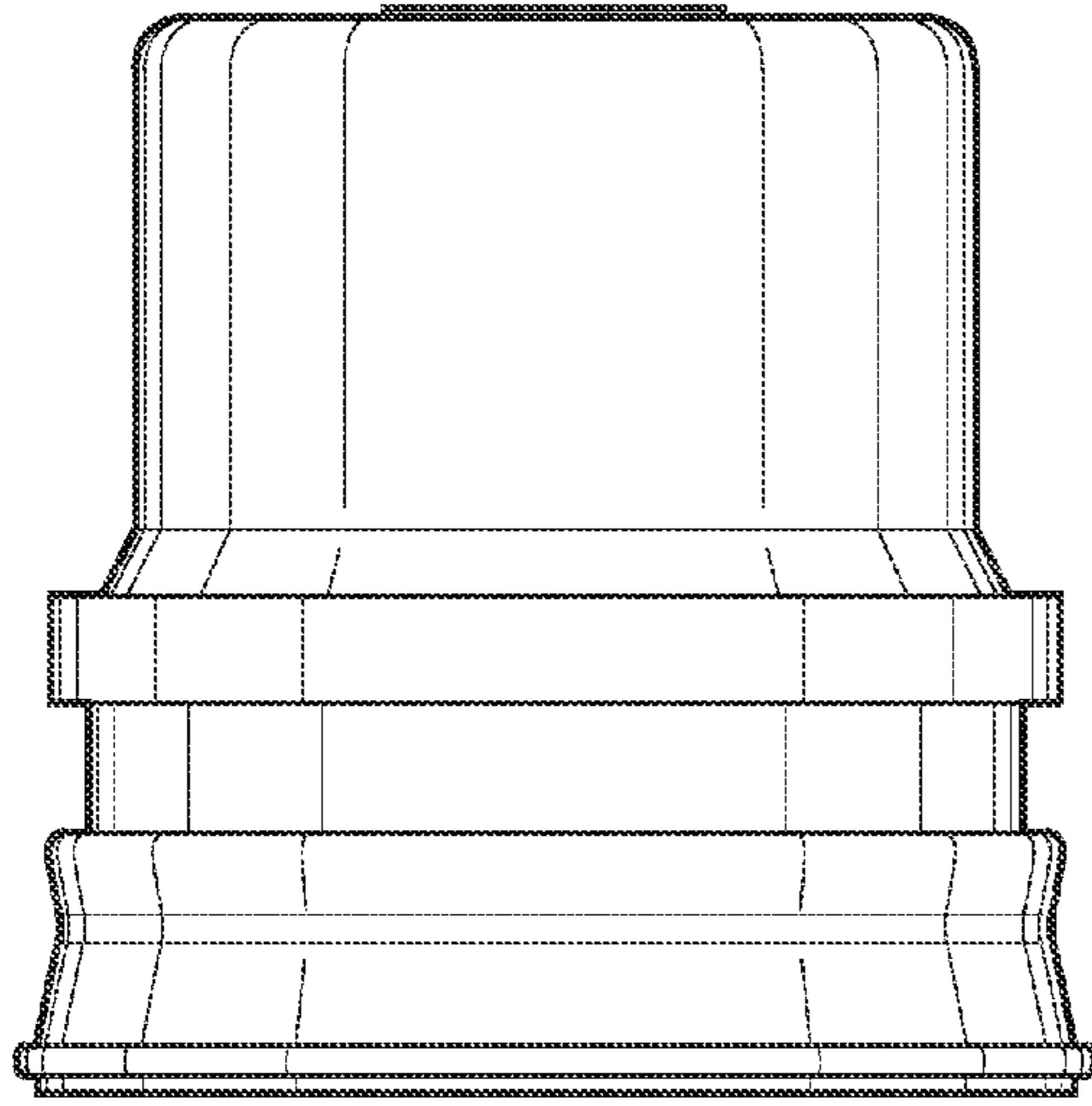


FIG. 3

FIG. 4

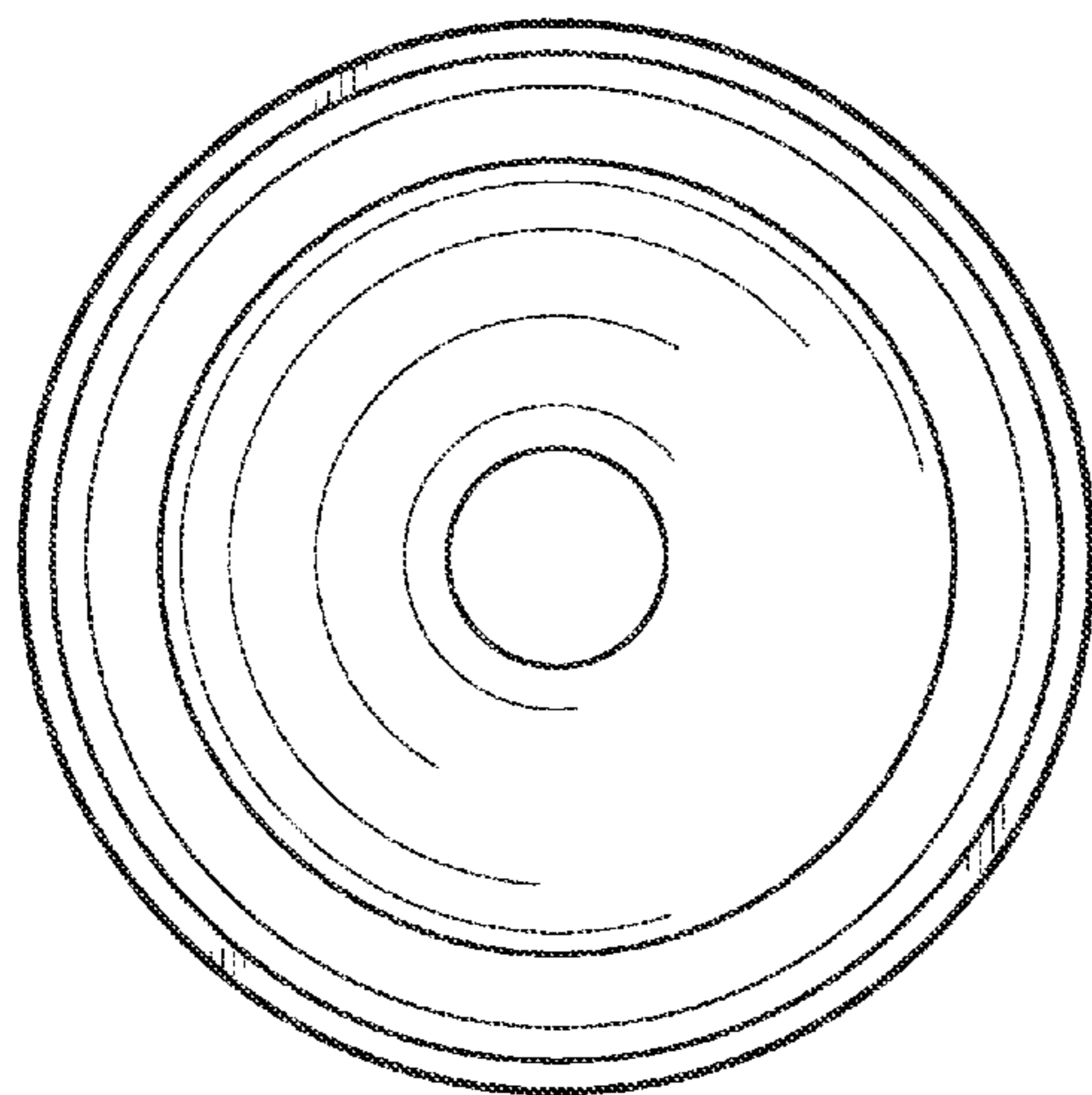
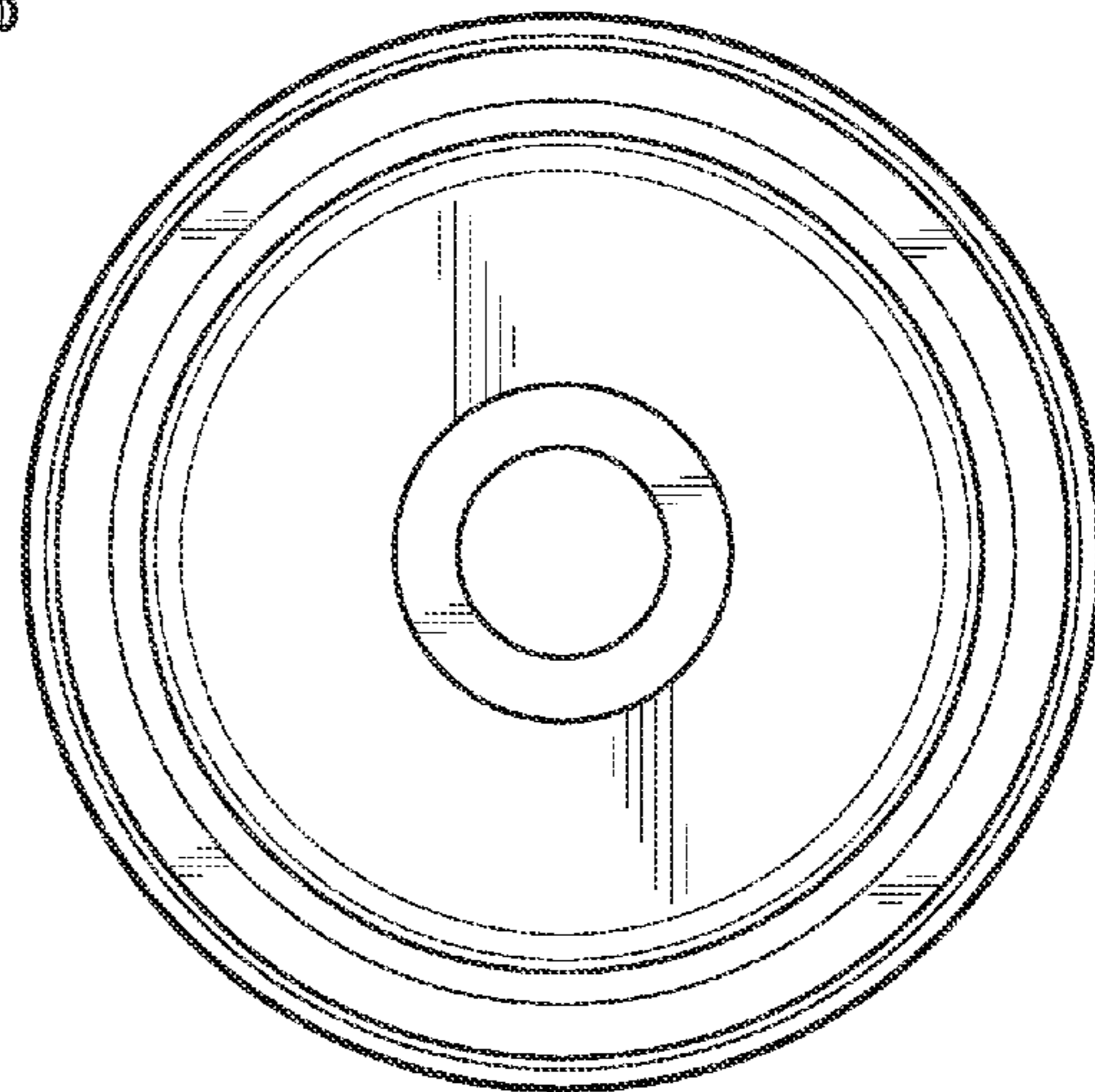


FIG. 5

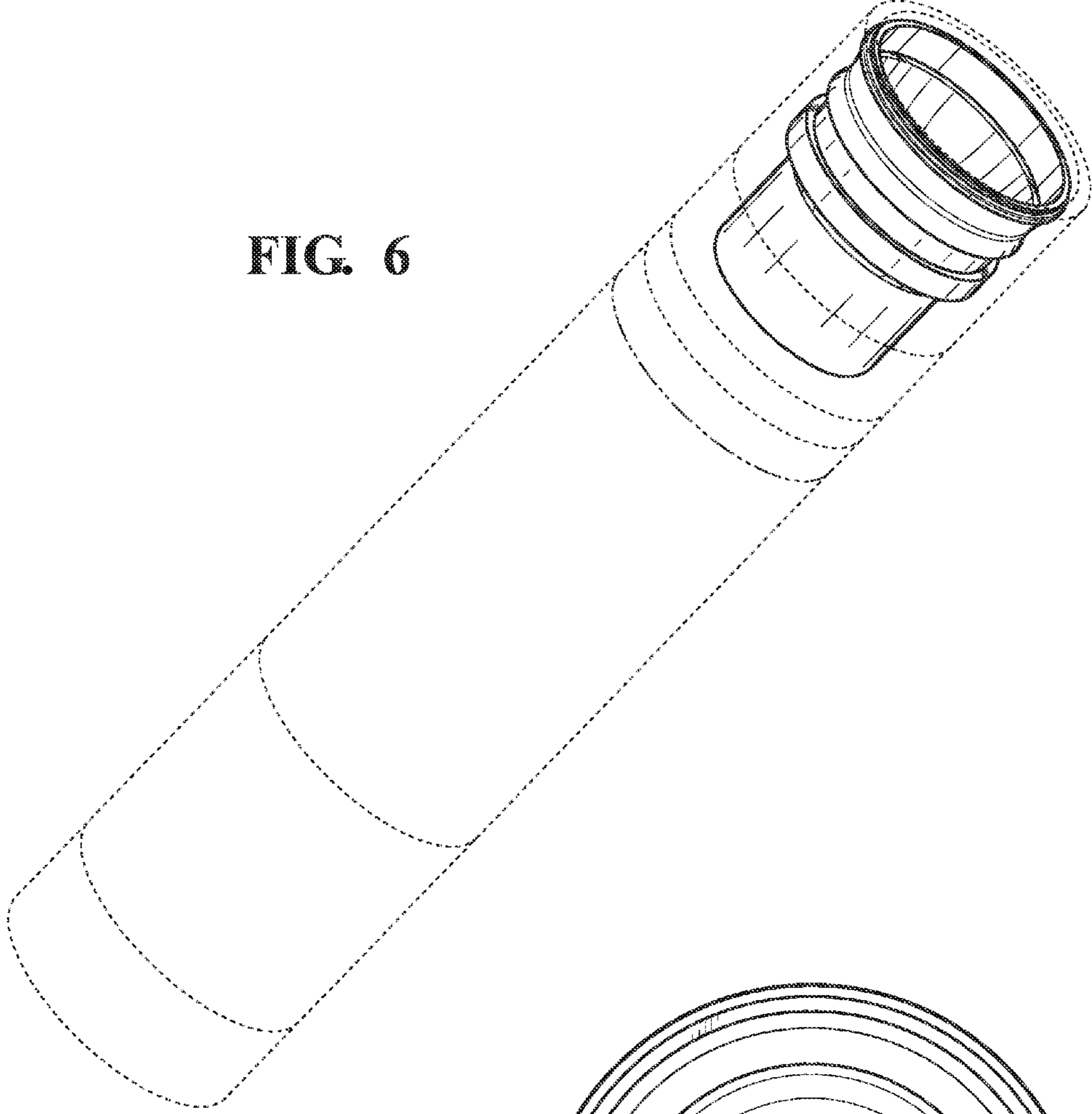


FIG. 6

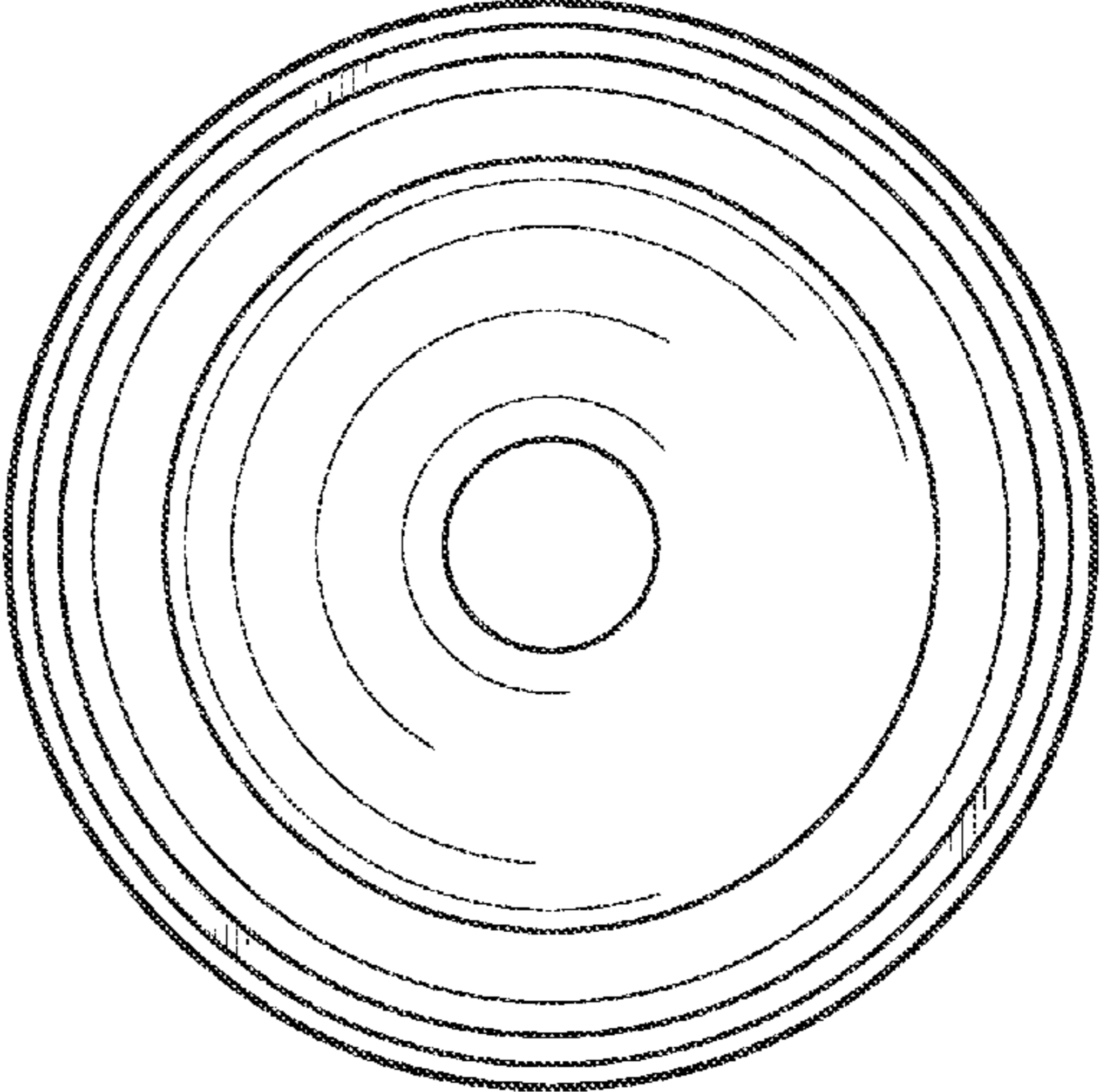


FIG. 7