

US00D742261S

(12) **United States Design Patent**
Halker

(10) **Patent No.:** **US D742,261 S**

(45) **Date of Patent:** **** Nov. 3, 2015**

(54) **MEASURING DEVICE**

(71) Applicant: **Matthew T. Halker**, Englewood, CO
(US)

(72) Inventor: **Matthew T. Halker**, Englewood, CO
(US)

(**) Term: **14 Years**

(21) Appl. No.: **29/496,372**

(22) Filed: **Jul. 11, 2014**

(51) **LOC (10) Cl.** **10-04**

(52) **U.S. Cl.**
USPC **D10/71; D10/64**

(58) **Field of Classification Search**
USPC D10/64, 71
CPC G01B 3/30; G01B 3/00; G01B 5/28;
G01B 3/02; G01B 3/04; B25B 5/107
See application file for complete search history.

(56) **References Cited**

U.S. PATENT DOCUMENTS

1,946,432	A *	2/1934	Aldeborgh	33/567
2,410,877	A *	11/1946	Hall	33/567
2,536,401	A *	1/1951	Victor	33/567
2,579,664	A *	12/1951	Gleasant	33/492
2,807,881	A *	10/1957	Ozbilgic	269/329

3,896,555	A *	7/1975	Lutz	33/567
4,558,854	A *	12/1985	Suzuki	269/93
D686,926	S *	7/2013	Moe	D10/62
2013/0125407	A1 *	5/2013	Shapiro	33/485

OTHER PUBLICATIONS

“3D Ruler,” Aspects of Wood, Inc., © 2012, 10 pages [retrieved from www.3druler.com].

* cited by examiner

Primary Examiner — Antoine D Davis

(74) *Attorney, Agent, or Firm* — Sheridan Ross P.C.

(57) **CLAIM**

The ornamental design for a measuring device, as shown and described.

DESCRIPTION

FIG. 1 is a perspective view of the measuring device showing the new design;

FIG. 2 is a front elevation view thereof;

FIG. 3 is a back elevation view thereof;

FIG. 4 is a right elevation view thereof;

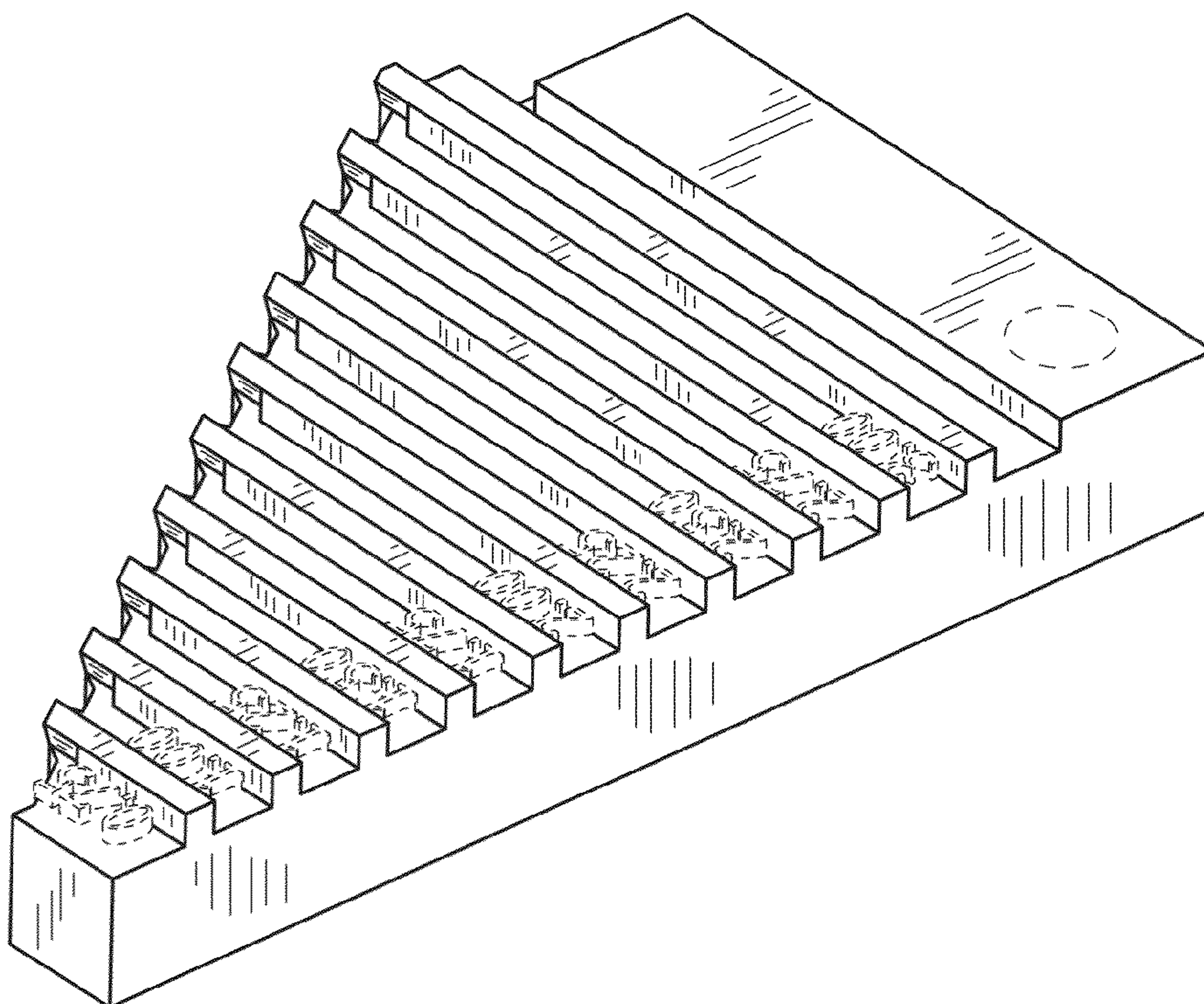
FIG. 5 is a left elevation view thereof;

FIG. 6 is a top plan view thereof; and,

FIG. 7 is a bottom plan view thereof.

The broken lines showing are for the purpose of environment and form no part of the claimed design.

1 Claim, 5 Drawing Sheets



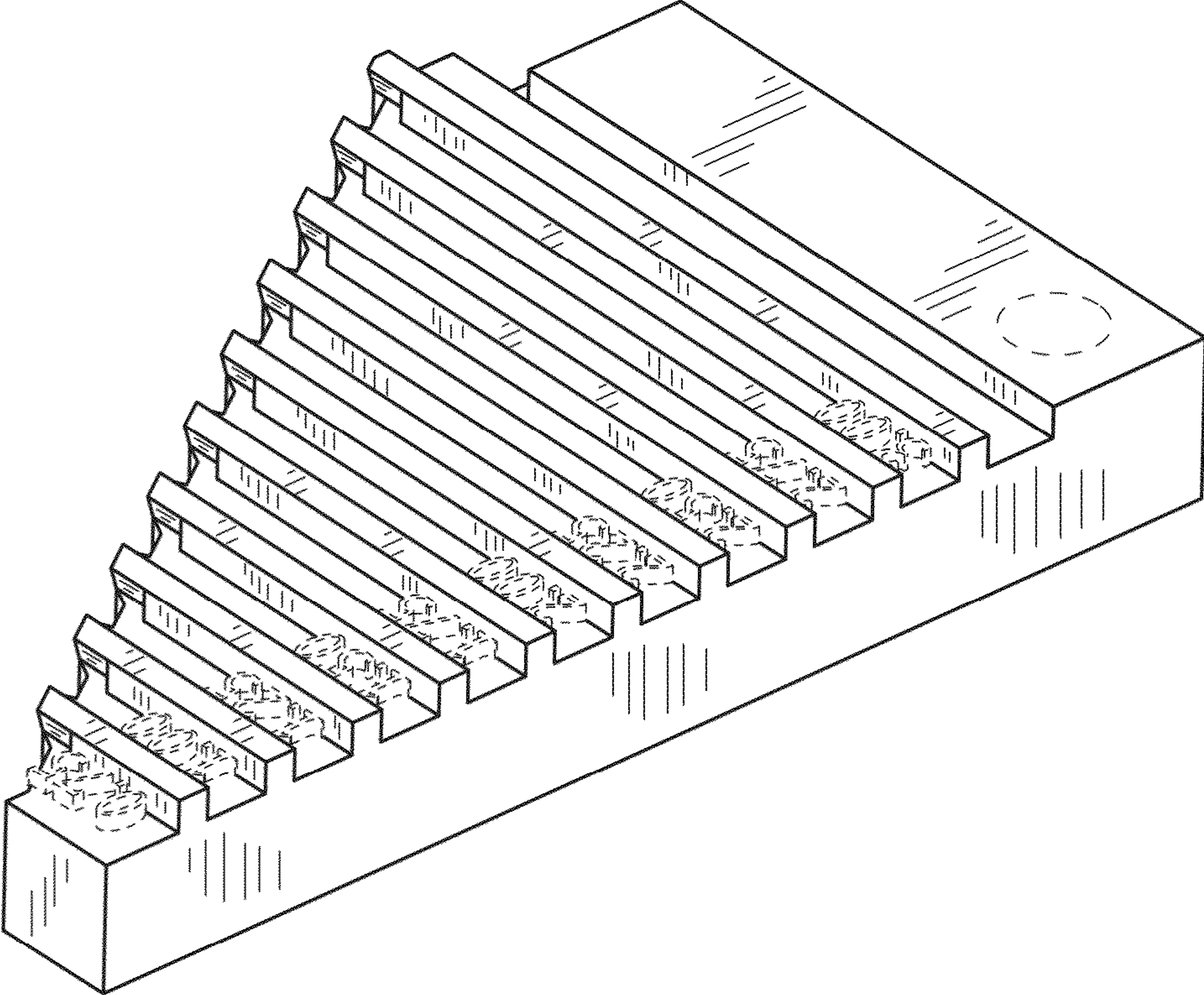


FIG.1

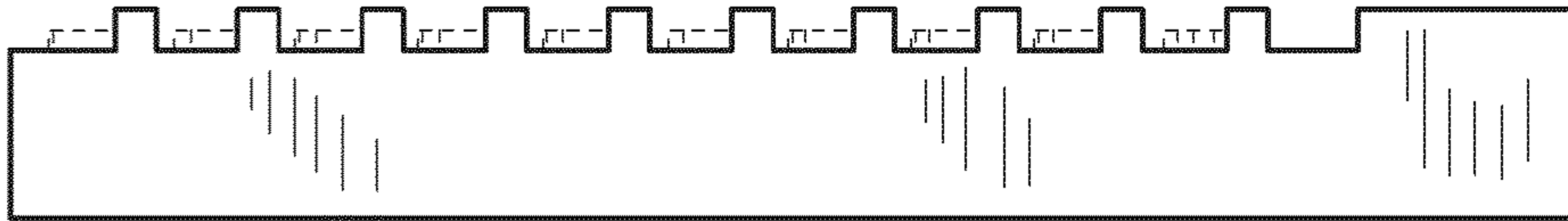


FIG. 2

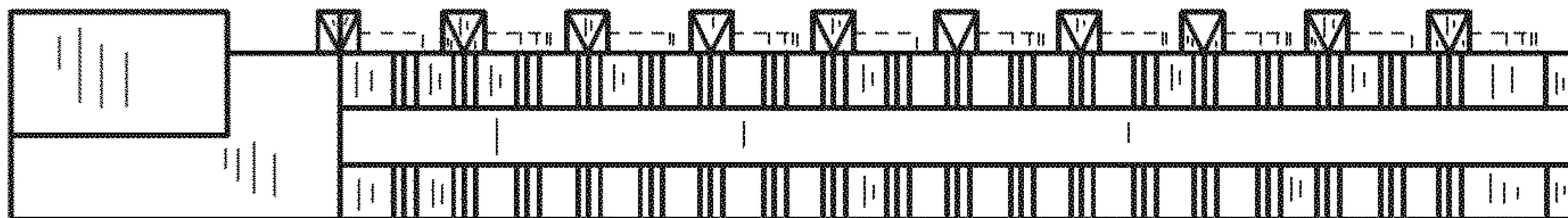


FIG. 3

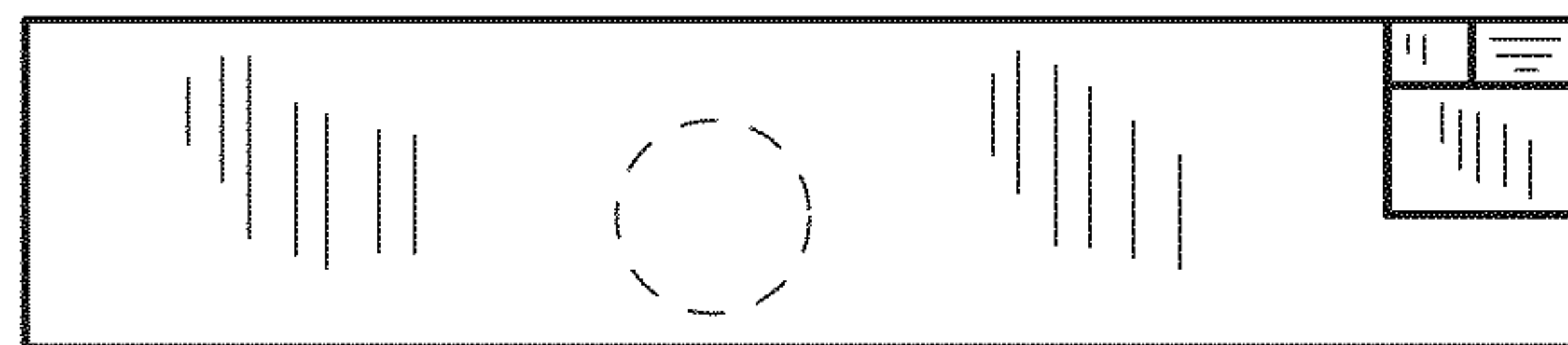


FIG. 4

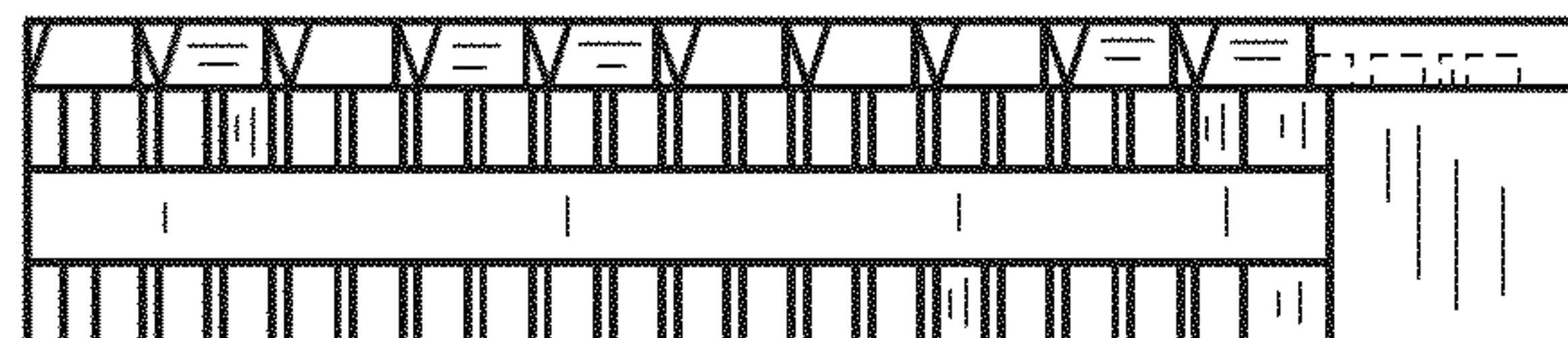


FIG. 5

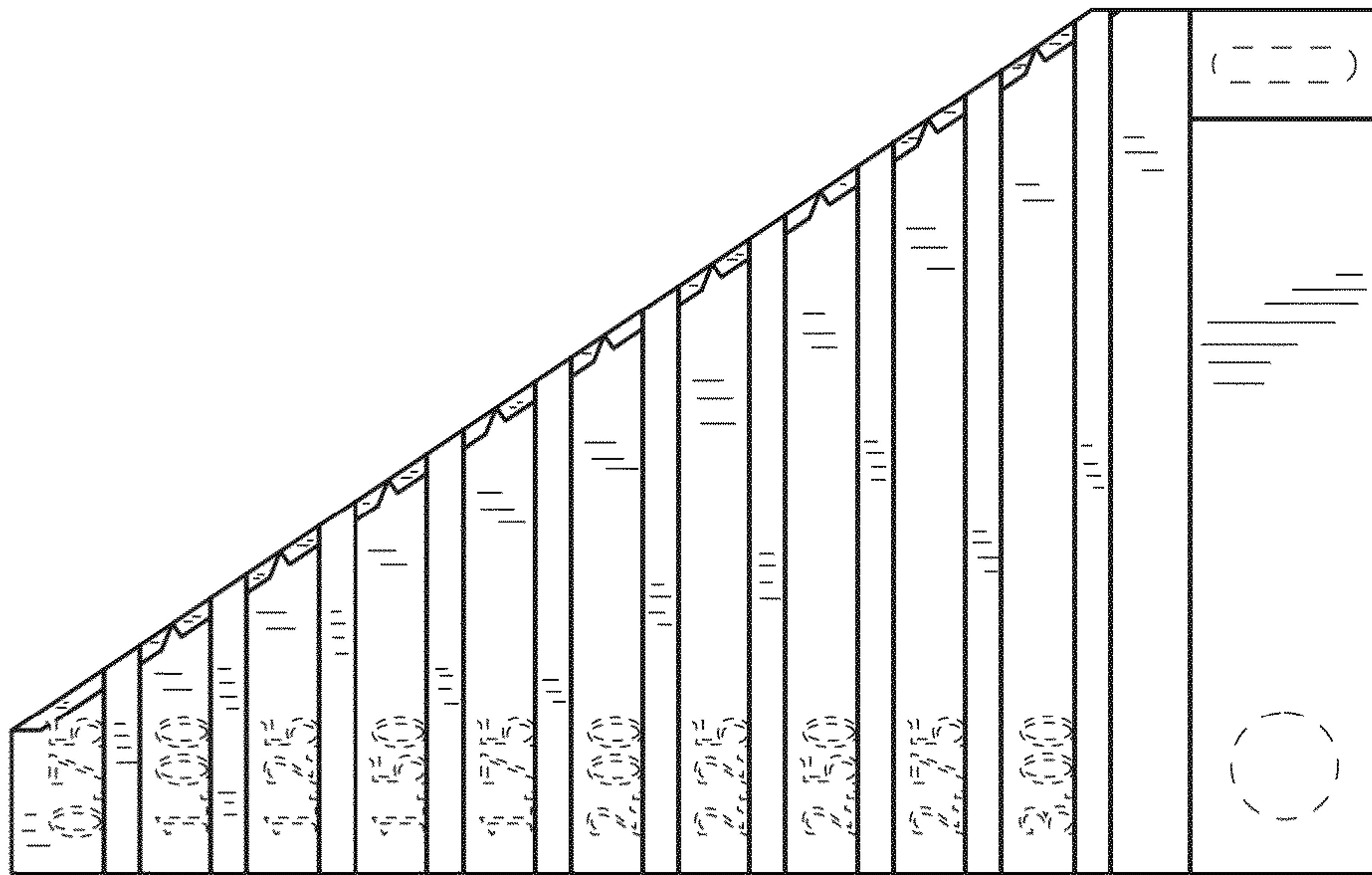


FIG.6

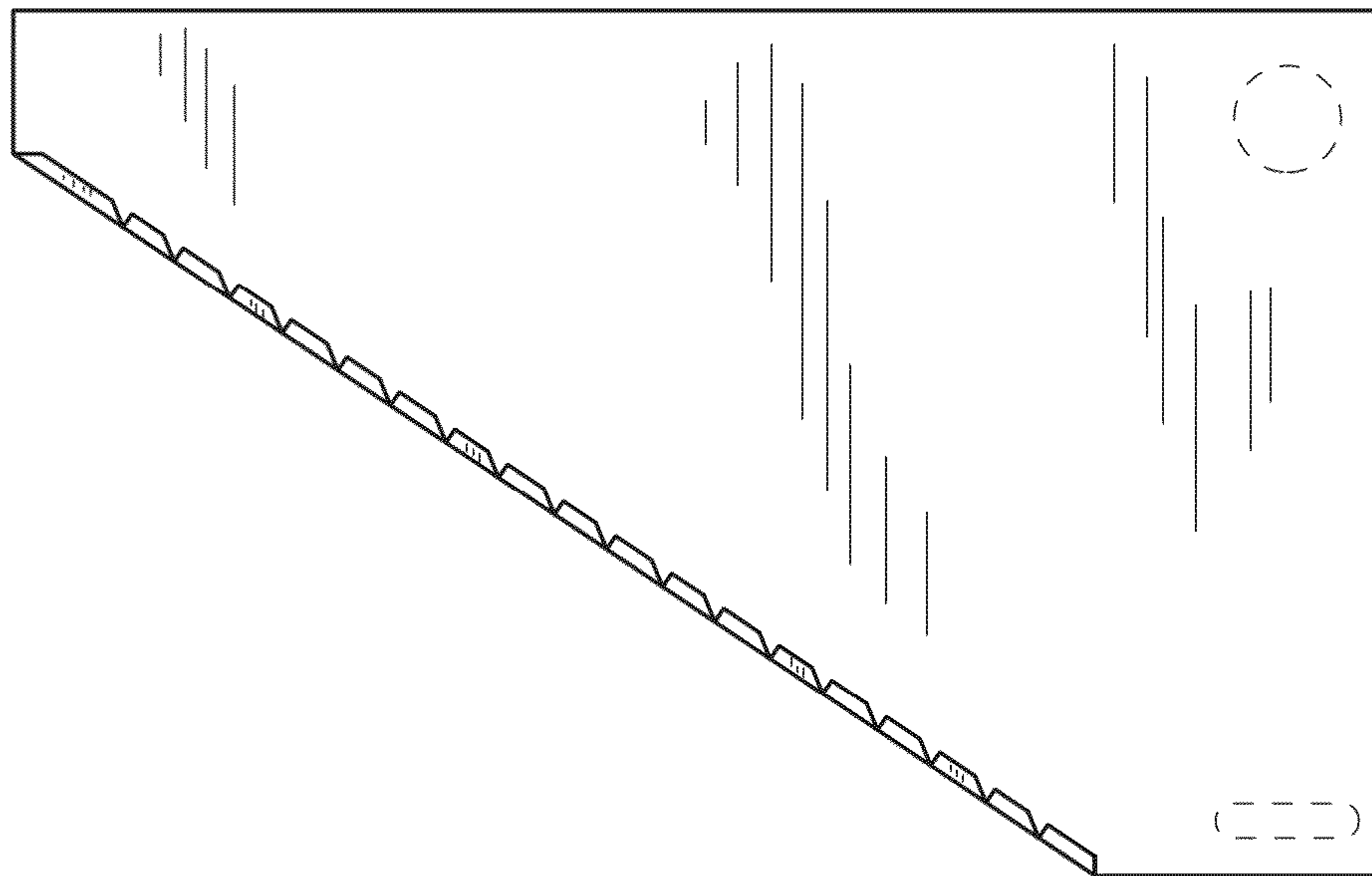


FIG.7