



US00D742258S

(12) **United States Design Patent**
Stevens et al.

(10) **Patent No.:** **US D742,258 S**

(45) **Date of Patent:** **** *Nov. 3, 2015**

(54) **NAVIGATION DEVICE**

(71) Applicant: **Garmin Switzerland GmbH**,
Schaffhausen (CH)

(72) Inventors: **Warren R. Stevens**, Olathe, KS (US);
Derrick D. Lenz, Olathe, KS (US);
Brett J. Kuper, Spring Hill, KS (US);
Nicholas B. Greusel, Overland Park, KS
(US)

(73) Assignee: **Garmin Switzerland GmbH** (CH)

(*) Notice: This patent is subject to a terminal disclaimer.

(**) Term: **14 Years**

(21) Appl. No.: **29/479,371**

(22) Filed: **Jan. 15, 2014**

(51) **LOC (10) Cl.** **10-04**

(52) **U.S. Cl.**
USPC **D10/70; D10/65**

(58) **Field of Classification Search**
USPC D10/65, 70; D14/138 R, 138 AA,
D14/138 AB, 138 AC, 138 AD, 341-347,
D14/507-510, 136, 167, 168, 496, 498, 499,
D14/500, 125-134, 239, 371, 374-377, 440,
D14/450, 448, 336, 342; 343/702; 345/87,
345/104, 133, 156, 168, 173, 901-905,
345/165; 348/180, 184, 315, 739, 836, 838,
348/325; 364/444, 499; 701/408-418, 431,
701/432, 537, 1, 454, 428, 440, 400, 491,
701/526, 455, 444, 36, 541, 487; 312/7.2;
341/12; 720/605, 669, 600, 655;
369/99, 197; 455/344, 347, 575.1;
250/221, 338.3, 340, 239, 342, 341,
250/DIG. 1, 353, 338.1; 307/116, 117, 9.1,
307/10.1; 340/521, 527, 541, 567, 540,
340/568.2, 539.23, 635, 687, 425.5, 815.4,
340/901, 988, 989, 990, 992, 995.1, 562,
340/815.45; 315/159; 324/72.5, 556, 133,
324/149, 503, 543, 555, 66, 72, 754, 115,
324/141, 522; 73/615, 624, 627, 644,
73/514.33, 514.34, 510, 513, 527, 530;
356/3.01-5.15; 235/105; 377/5, 24.2,

377/26; 702/155, 160, 176, 78, 79, 82,
702/91-95, 104, 116, 141, 150, 151, 154,
702/127, 131, 182, 183, 189; 600/437, 443,
600/453, 459, 465, 479, 500, 502, 595, 485,
600/481, 483; 700/17; 715/762, 764, 970

CPC G08G 1/096883; G08G 1/096872;
G08G 1/096775; G01C 21/16; G01C 21/3688;
G01C 21/30; G01C 21/265; G01C 21/26;
G01C 21/00; G01C 21/3632; G01C 21/3617;
G01C 25/005; G01C 21/3664; G01P 3/22;
G01P 3/50; G01P 15/18; G06F 3/04
See application file for complete search history.

(56) **References Cited**

U.S. PATENT DOCUMENTS

D543,876 S 6/2007 Kalis et al. D10/65
D549,603 S 8/2007 Lammers-Meis et al. D10/74

(Continued)

OTHER PUBLICATIONS

Garmin's Montana® 600 series Owner's Manual, Apr. 2011.

(Continued)

Primary Examiner — Antoine D Davis

(74) *Attorney, Agent, or Firm* — Samuel M. Korte;
Mohammad M. Ali

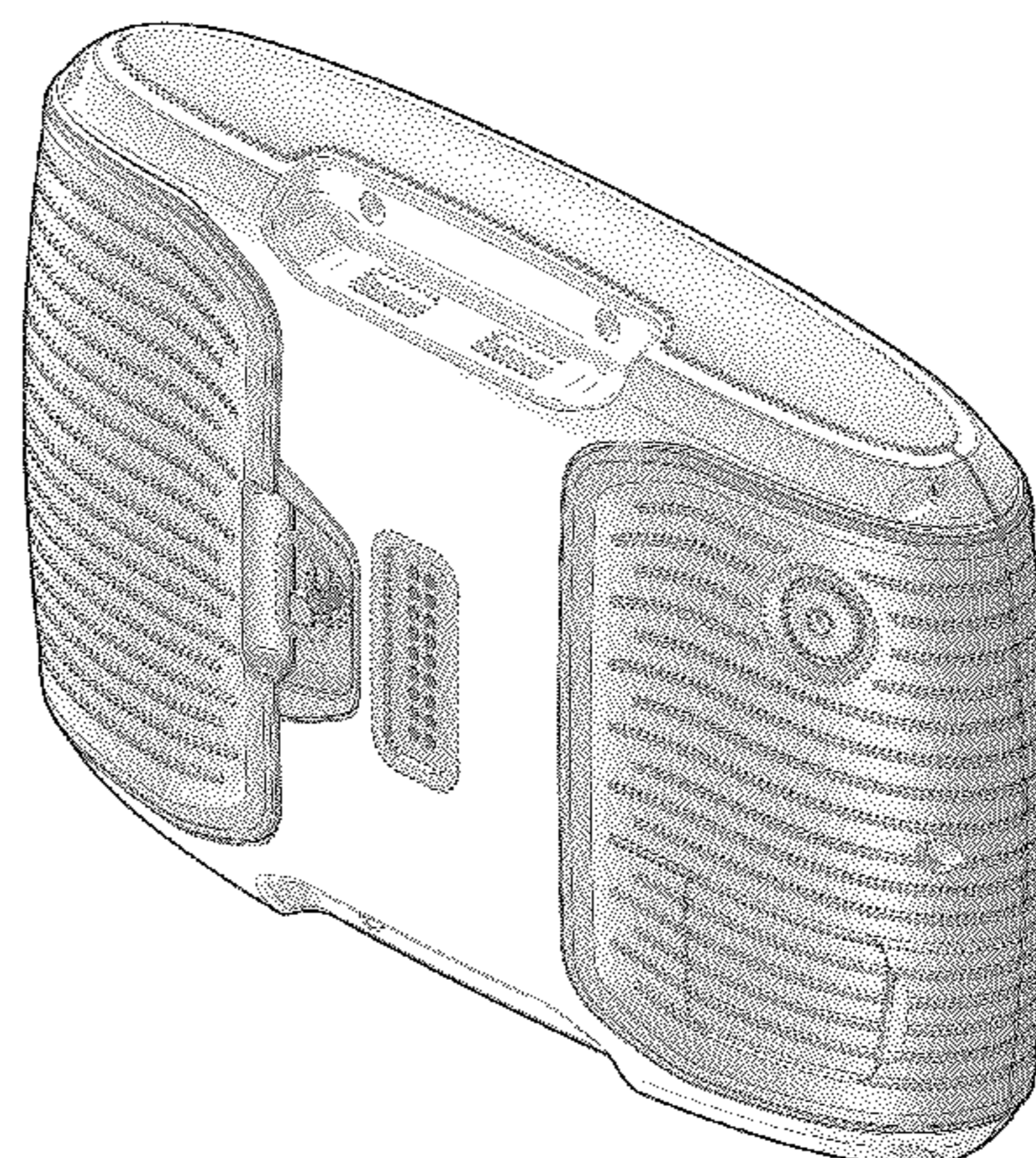
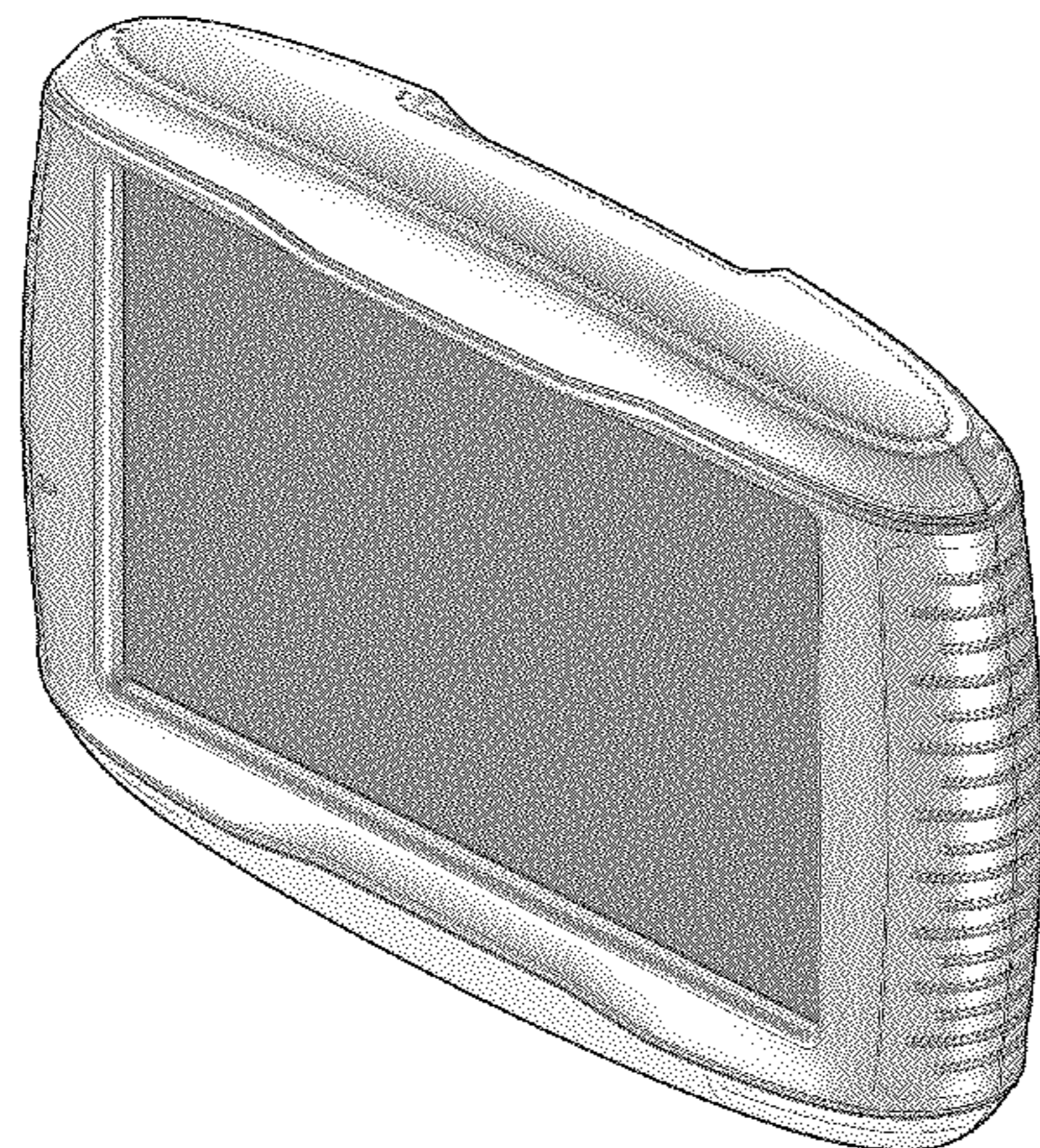
(57) **CLAIM**

The ornamental design for a navigation device, as shown and described.

DESCRIPTION

FIG. 1 is a front perspective view of a navigation device according to the present invention;
FIG. 2 is a rear perspective view of the navigation device;
FIG. 3 is a top view of the navigation device;
FIG. 4 is a front view of the navigation device;
FIG. 5 is a bottom view of the navigation device;
FIG. 6 is a rear view of the navigation device;
FIG. 7 is a left-side view of the navigation device; and,
FIG. 8 is a right-side view of the navigation device.
Portions of FIGS. 1 through 8 are shown in dashed lines for illustrative purposes only and form no part of the claimed design.

1 Claim, 3 Drawing Sheets



(56)

References Cited

U.S. PATENT DOCUMENTS

D557,151 S 12/2007 Clift D10/65
 D560,519 S 1/2008 Skelton et al. D10/65
 D561,619 S 2/2008 Miyawaki D10/65
 D562,708 S * 2/2008 Skelton et al. D10/65
 D563,806 S 3/2008 Jeon D10/65
 D565,978 S 4/2008 Stevens et al. D10/65
 D565,979 S 4/2008 Ichikawa et al. D10/65
 D571,234 S 6/2008 Reeson et al. D10/65
 D571,235 S 6/2008 Stevens et al. D10/65
 D574,272 S 8/2008 Stevens et al. D10/65
 D575,171 S 8/2008 Miyawaki D10/65
 D577,298 S 9/2008 Reeson et al. D10/65
 D581,818 S * 12/2008 Gretton D10/65
 D584,646 S 1/2009 Sanguinetti D10/65
 D589,381 S * 3/2009 Gretton D10/65
 D589,382 S * 3/2009 Gretton D10/65
 D589,383 S * 3/2009 Gretton D10/65
 D589,384 S * 3/2009 Gretton D10/65
 D589,385 S * 3/2009 Gretton D10/65
 D589,824 S * 4/2009 Gretton D10/65
 D591,184 S * 4/2009 Gretton D10/65
 D592,083 S 5/2009 Stevens et al. D10/65
 D594,356 S * 6/2009 Riddiford D10/65

D594,357 S * 6/2009 Riddiford D10/65
 7,567,212 B2 7/2009 Inoue et al. 343/702
 D603,279 S * 11/2009 Weinschenk D10/65
 D611,362 S 3/2010 Hansen et al. D10/65
 D625,627 S * 10/2010 McAlpine et al. D10/65
 D640,150 S 6/2011 Hansen et al. D10/65
 D659,563 S 5/2012 Groener et al. D10/65
 D677,181 S * 3/2013 Lenz et al. D10/65
 D677,182 S * 3/2013 Lee et al. D10/65
 D692,326 S * 10/2013 Roberts et al. D10/65
 D693,707 S * 11/2013 Stevens et al. D10/65
 8,675,147 B2 * 3/2014 Murakami 349/12
 2008/0259024 A1 10/2008 Nam et al. 345/156
 2009/0043446 A1 2/2009 Drew et al. 701/133
 2009/0160803 A1 6/2009 Hashimoto 345/173
 2009/0189803 A1 7/2009 Beason 342/357.1
 2009/0219259 A1 9/2009 Kwon 345/173

OTHER PUBLICATIONS

Printout from http://reviews.cnet.com/gps/tomtom-rider/4505-3490_7-31497364.html published prior to Jan. 15, 2014.
 Printout from <http://www.businesswire.com/news/home/20131001005608/en/Garmin%C2%AE-Extends-Partnership-BMW-Motorrad-Navigator> published prior to Jan. 15, 2014.

* cited by examiner

Fig. 1

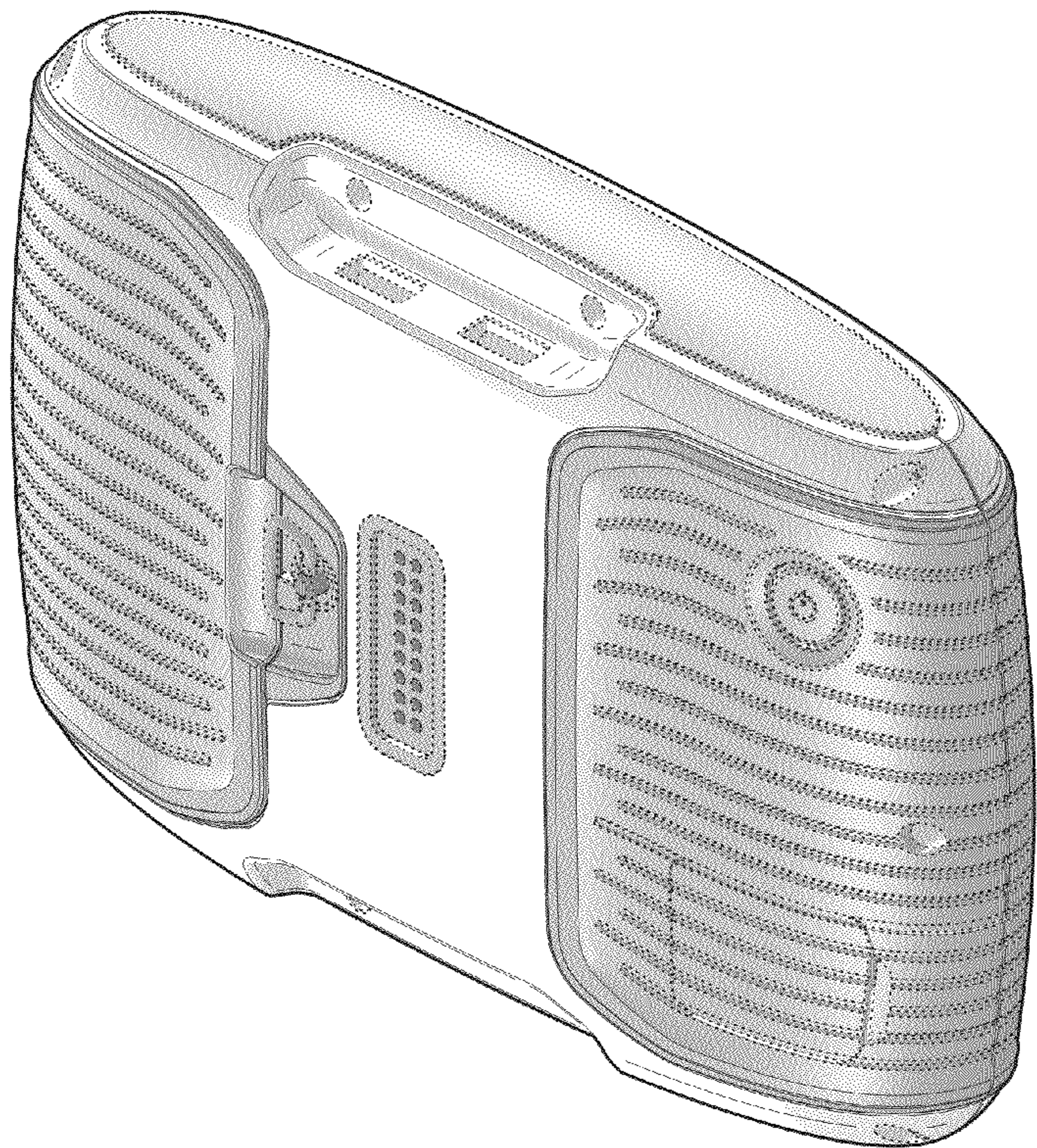
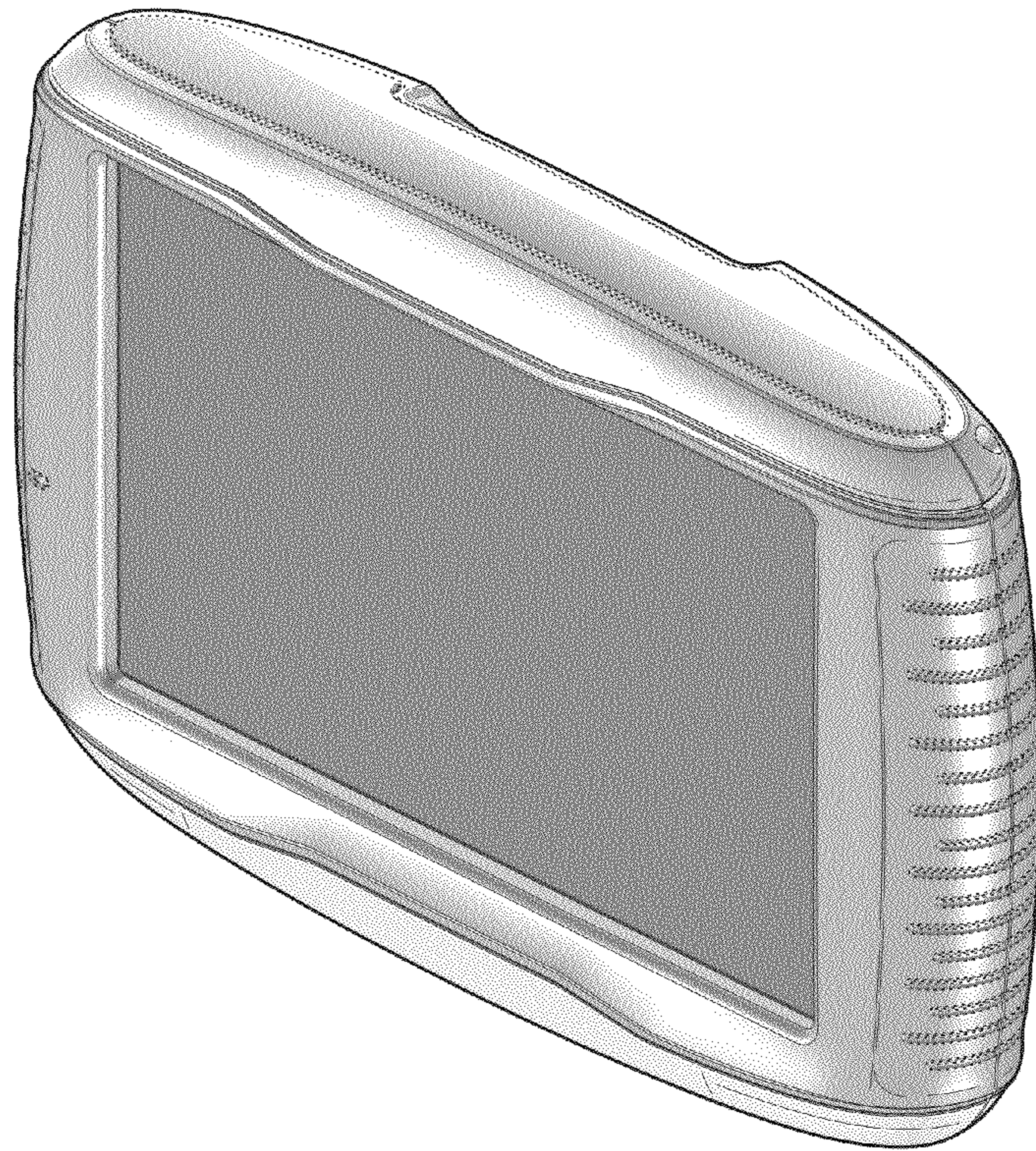


Fig. 2

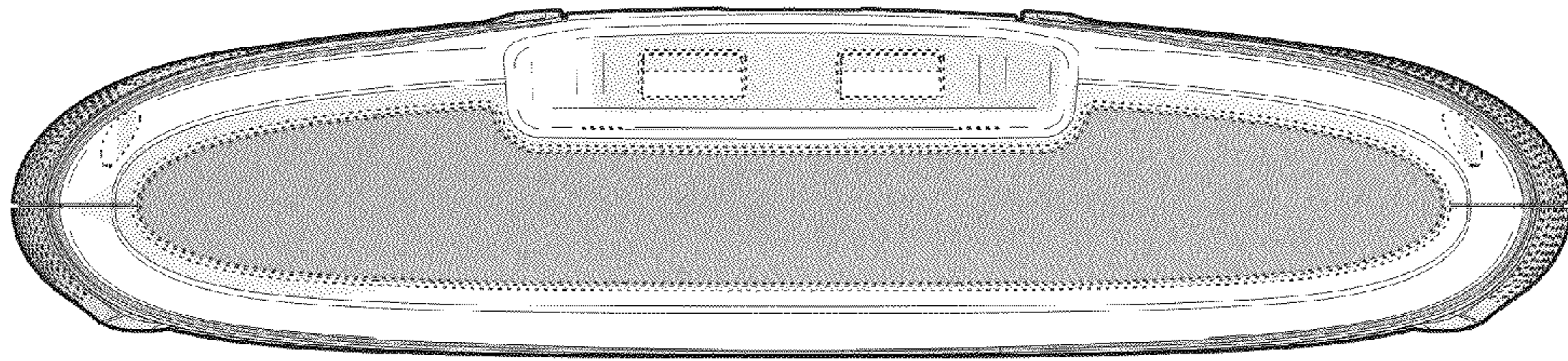


Fig. 3

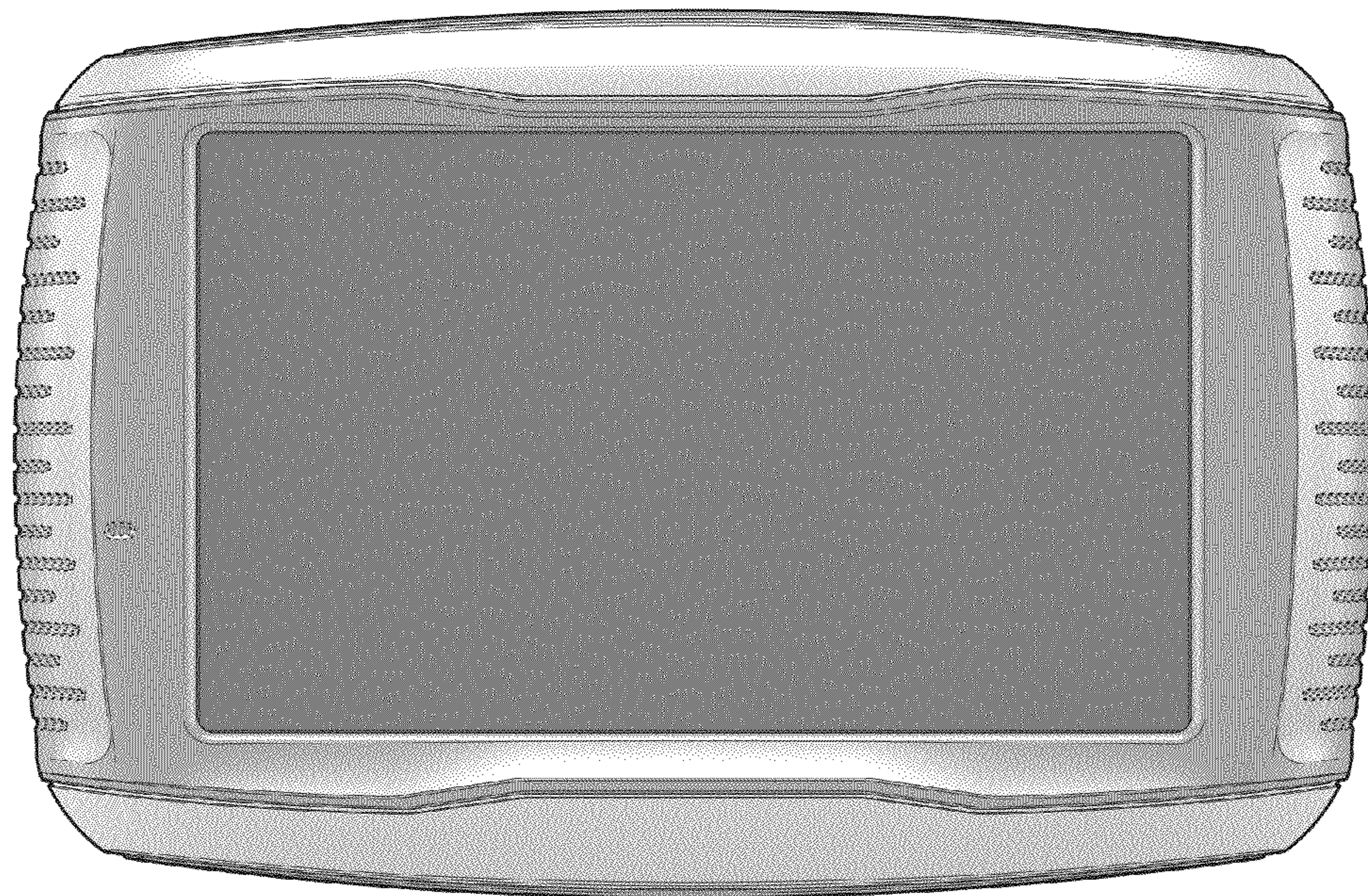


Fig. 4

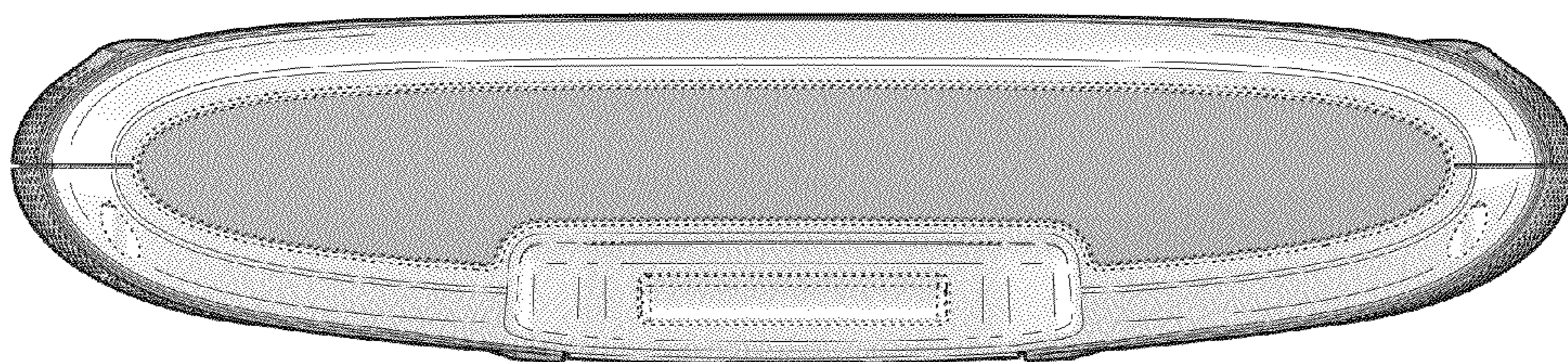


Fig. 5

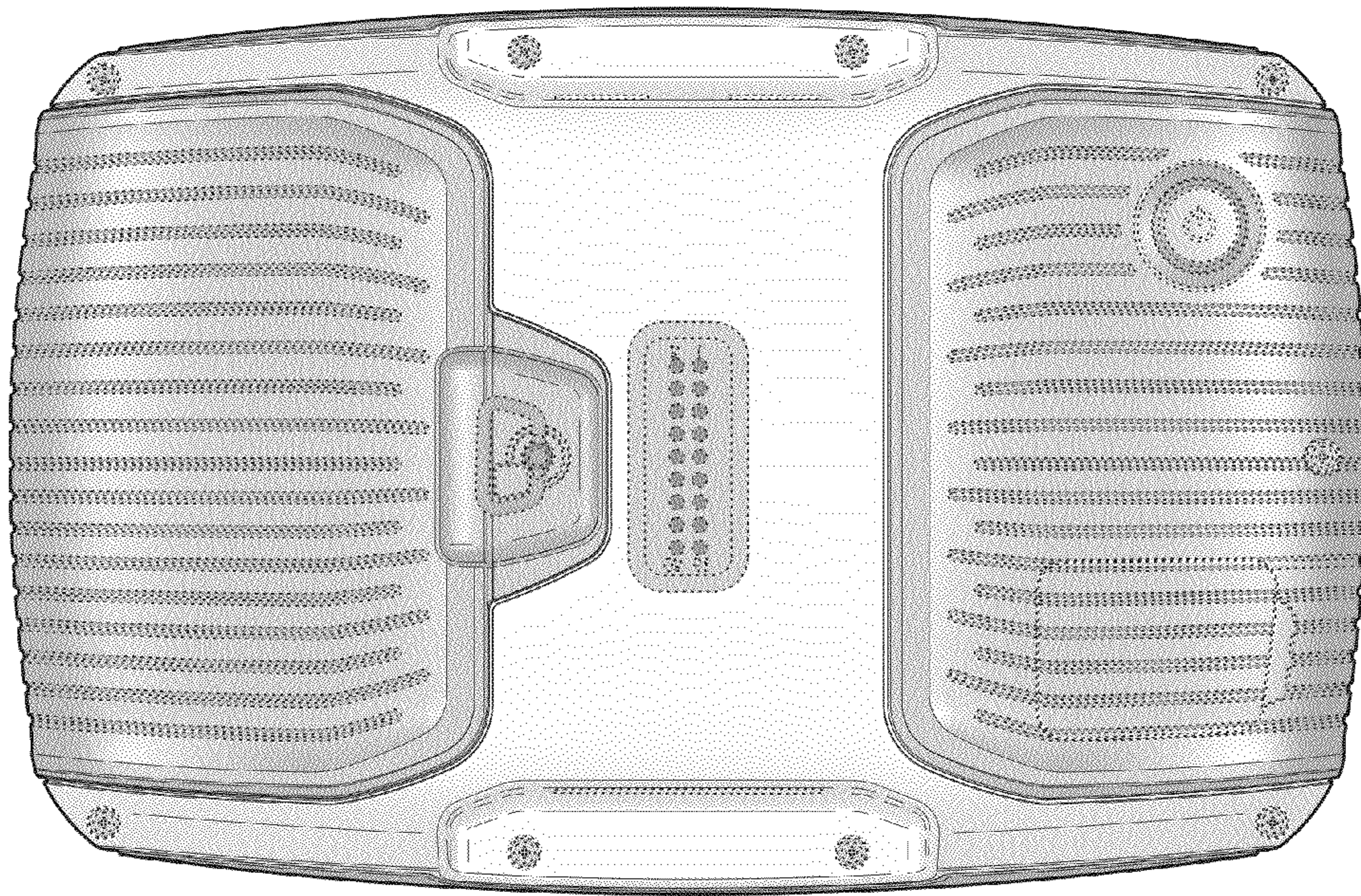


Fig. 6

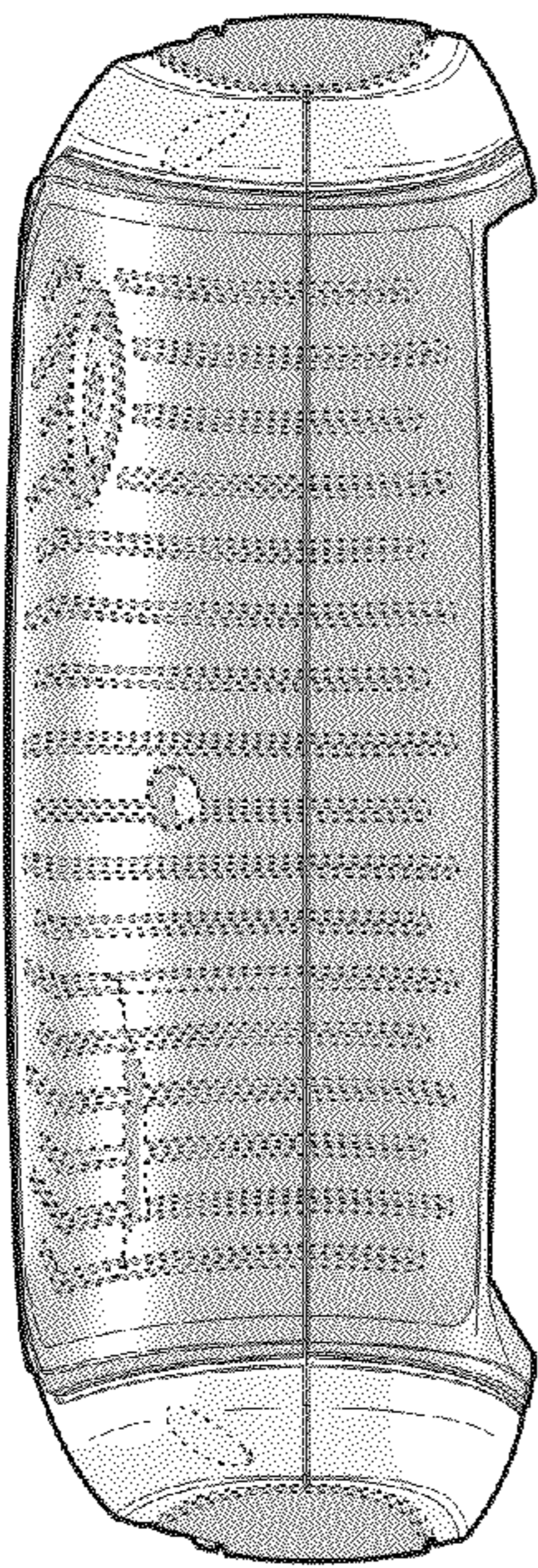


Fig. 7

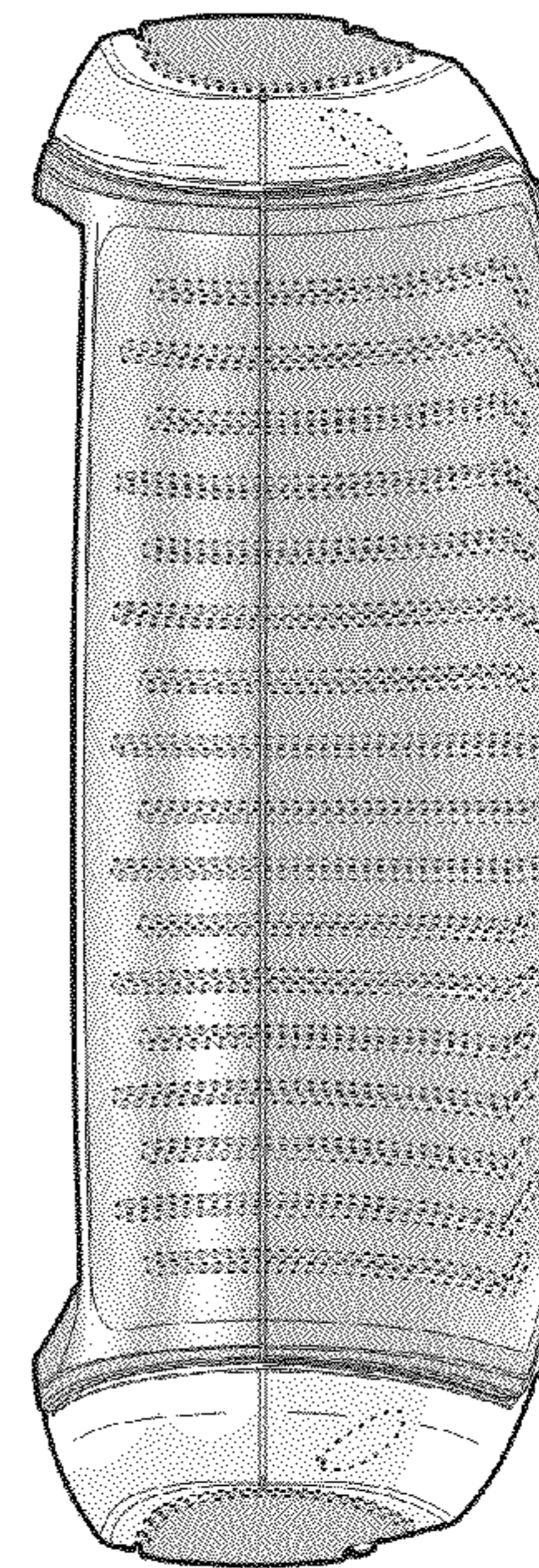


Fig. 8