



US00D742255S

(12) **United States Design Patent**
Miodrag

(10) **Patent No.:** **US D742,255 S**

(45) **Date of Patent:** **** Nov. 3, 2015**

(54) **WATCH**

(71) Applicant: **HUBLLOT SA, Geneve, Geneva (CH)**

(72) Inventor: **Mijatovic Miodrag, Preverenges (CH)**

(73) Assignee: **HUBLLOT SA, Geneve, Genève (CH)**

(**) Term: **14 Years**

(21) Appl. No.: **29/460,874**

(22) Filed: **Jul. 16, 2013**

(30) **Foreign Application Priority Data**

Jan. 18, 2013 (WO) DM/079 995

(51) **LOC (10) Cl.** **10-02**

(52) **U.S. Cl.**
USPC **D10/39; D10/124**

(58) **Field of Classification Search**
USPC D10/30-39, 1-29, 122-132
CPC G04B 15/00; G04B 17/06; G04B 37/00;
G04B 37/0008; G04B 37/225; G04B 45/00;
G04B 45/0038; G04B 45/0069; G04B
45/0076; G04B 45/02; G04B 19/00; G04B
19/20; G04B 19/207
See application file for complete search history.

(56) **References Cited**

U.S. PATENT DOCUMENTS

D66,901 S * 3/1925 Suderov D10/31
1,998,763 A * 4/1935 Janson 368/78
3,024,590 A * 3/1962 Wynne 368/191
D266,908 S * 11/1982 Schwab et al. D10/39
D267,931 S * 2/1983 Schwab et al. D10/39
4,376,996 A * 3/1983 Wuthrich 368/220

4,534,660 A * 8/1985 Laesser 368/220
D382,214 S * 8/1997 Liao D10/32
D436,318 S * 1/2001 Trauchessec D10/33
D438,124 S * 2/2001 Trauchessec D10/33
D468,648 S * 1/2003 Starck D10/38
D530,225 S * 10/2006 Wunderman D10/32
D530,229 S * 10/2006 Wunderman D10/32
D592,979 S * 5/2009 Arabo D10/38
D616,311 S * 5/2010 Buchanan et al. D10/33
D624,439 S * 9/2010 Wunderman D10/32
D631,375 S * 1/2011 Wilbur D10/38
D640,572 S * 6/2011 Calce D10/32
D660,184 S * 5/2012 Calce D10/32
D661,602 S * 6/2012 Calce D10/32
8,355,297 B2 * 1/2013 Wilbur et al. 368/78

* cited by examiner

Primary Examiner — Martie K Holtje

(74) *Attorney, Agent, or Firm* — Sughrue Mion, PLLC

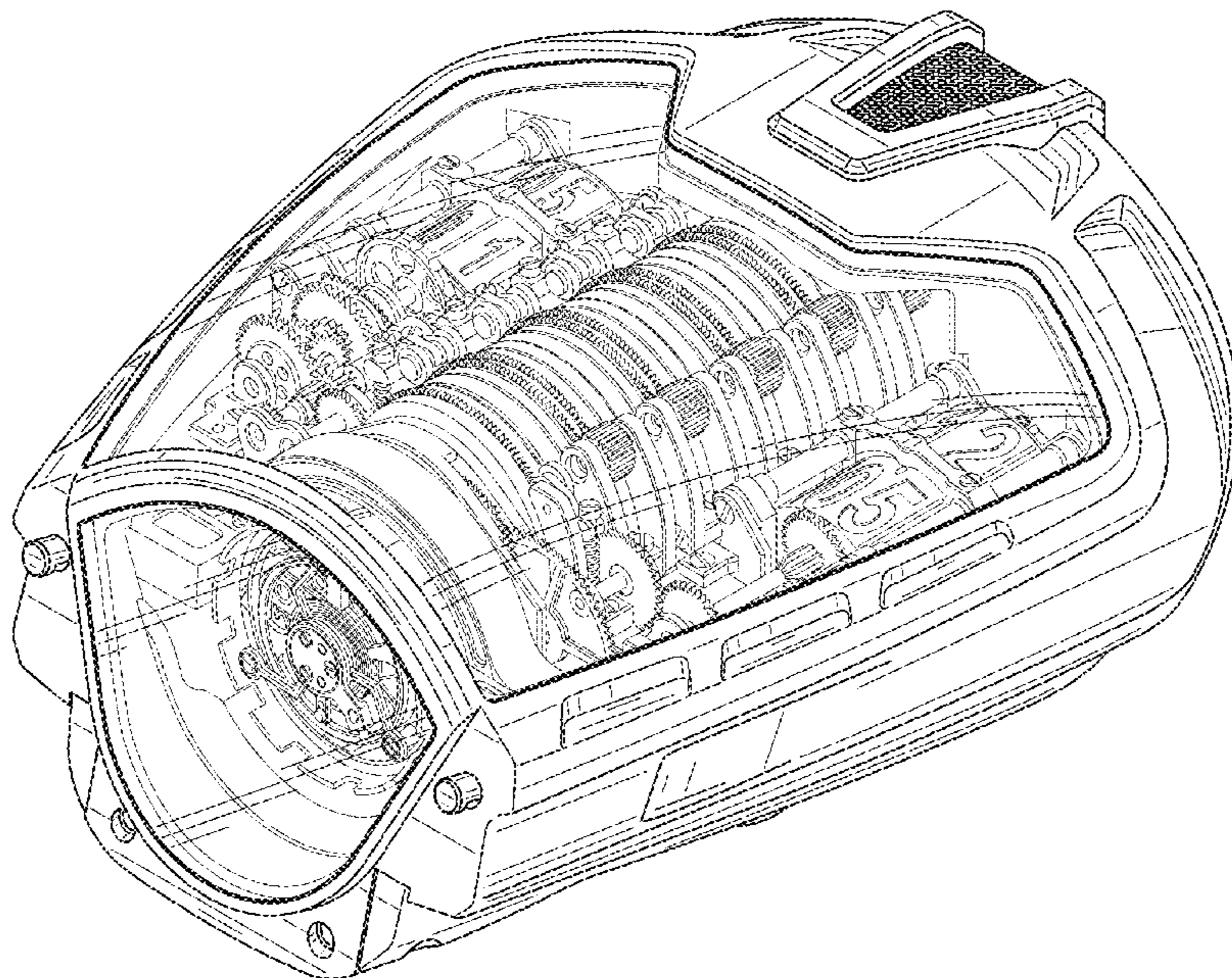
(57) **CLAIM**

The ornamental design for a watch, as shown and described.

DESCRIPTION

FIG. 1 is a right front perspective view of a watch showing my new design;
FIG. 2 is a front elevational view thereof;
FIG. 3 is a right side elevational view thereof;
FIG. 4 is a left side elevational view thereof;
FIG. 5 is a top plan view thereof; and,
FIG. 6 is a bottom plan view thereof.
The structural features depicted by broken lines in FIG. 5 have been shown for the purpose of illustrating portions of the watch that form no part of the claimed design.
The rear of the watch, not shown, forms no part of the claimed design.

1 Claim, 6 Drawing Sheets



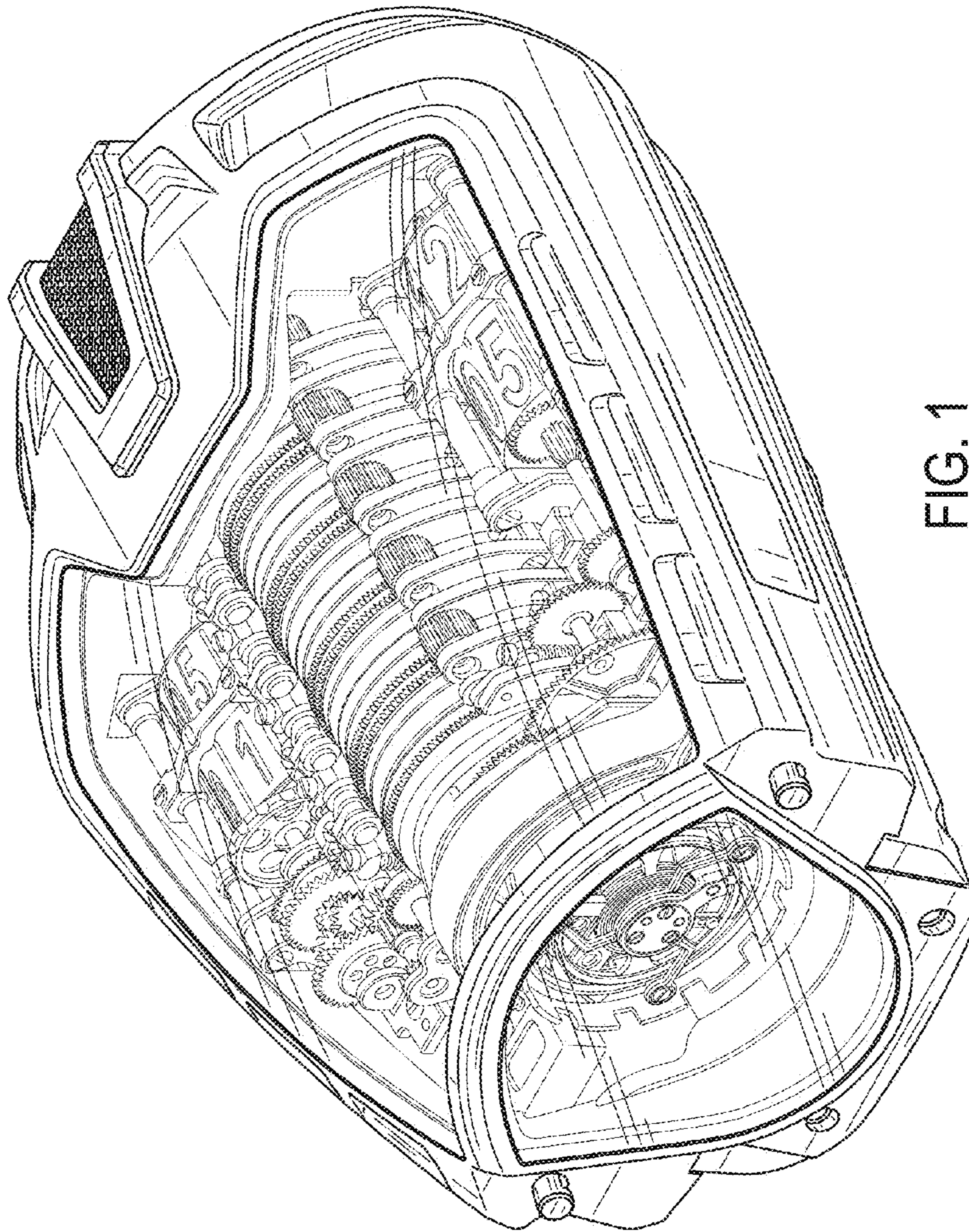


FIG. 1

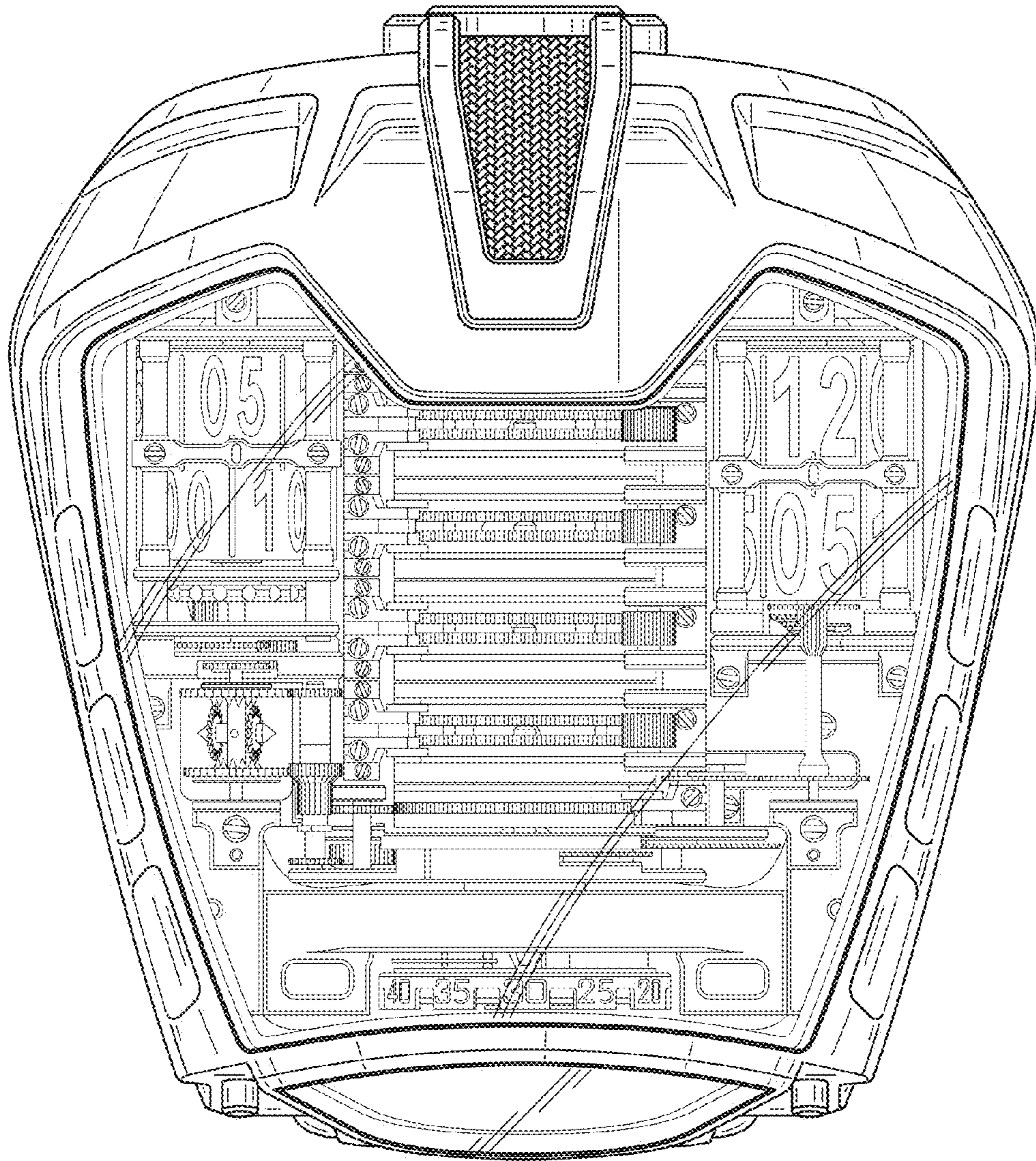


FIG. 2

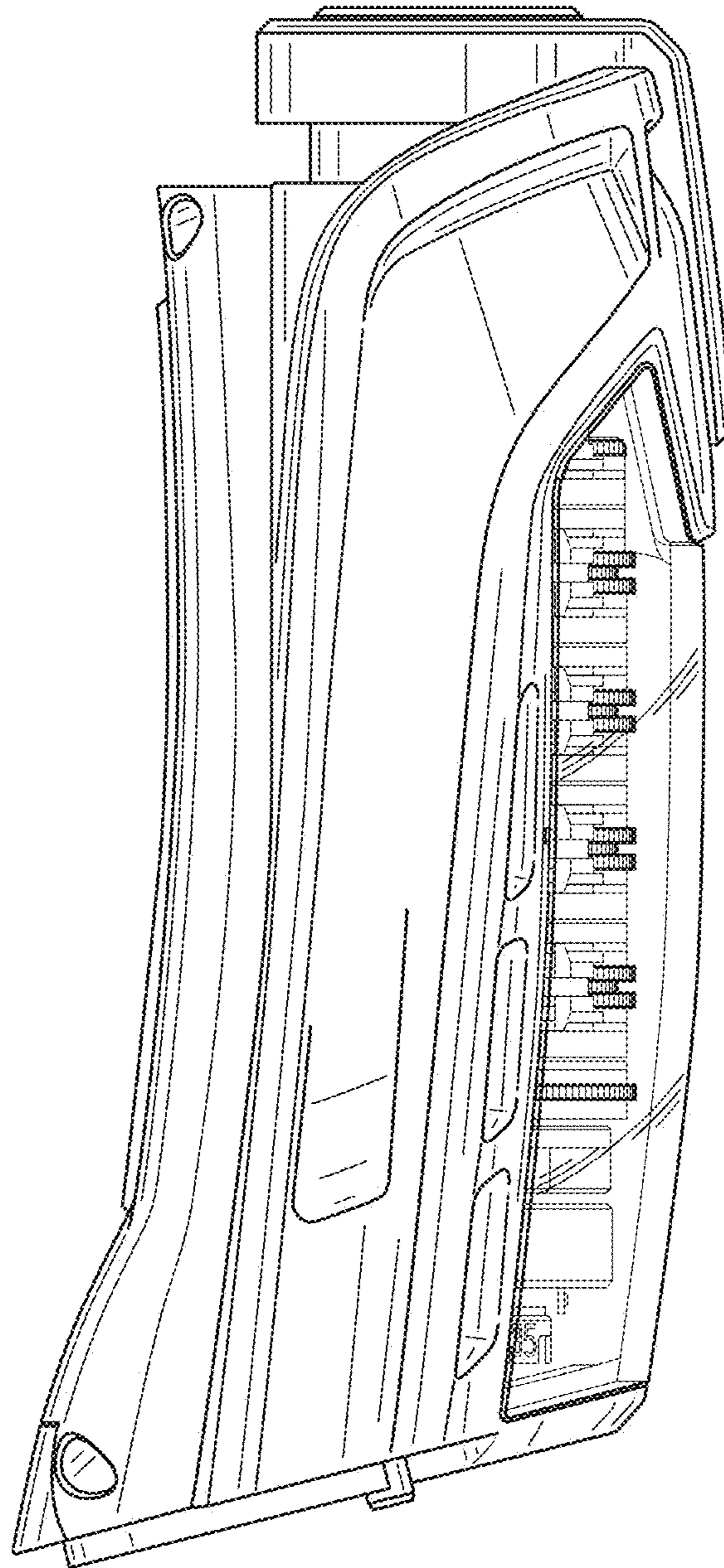


FIG. 3

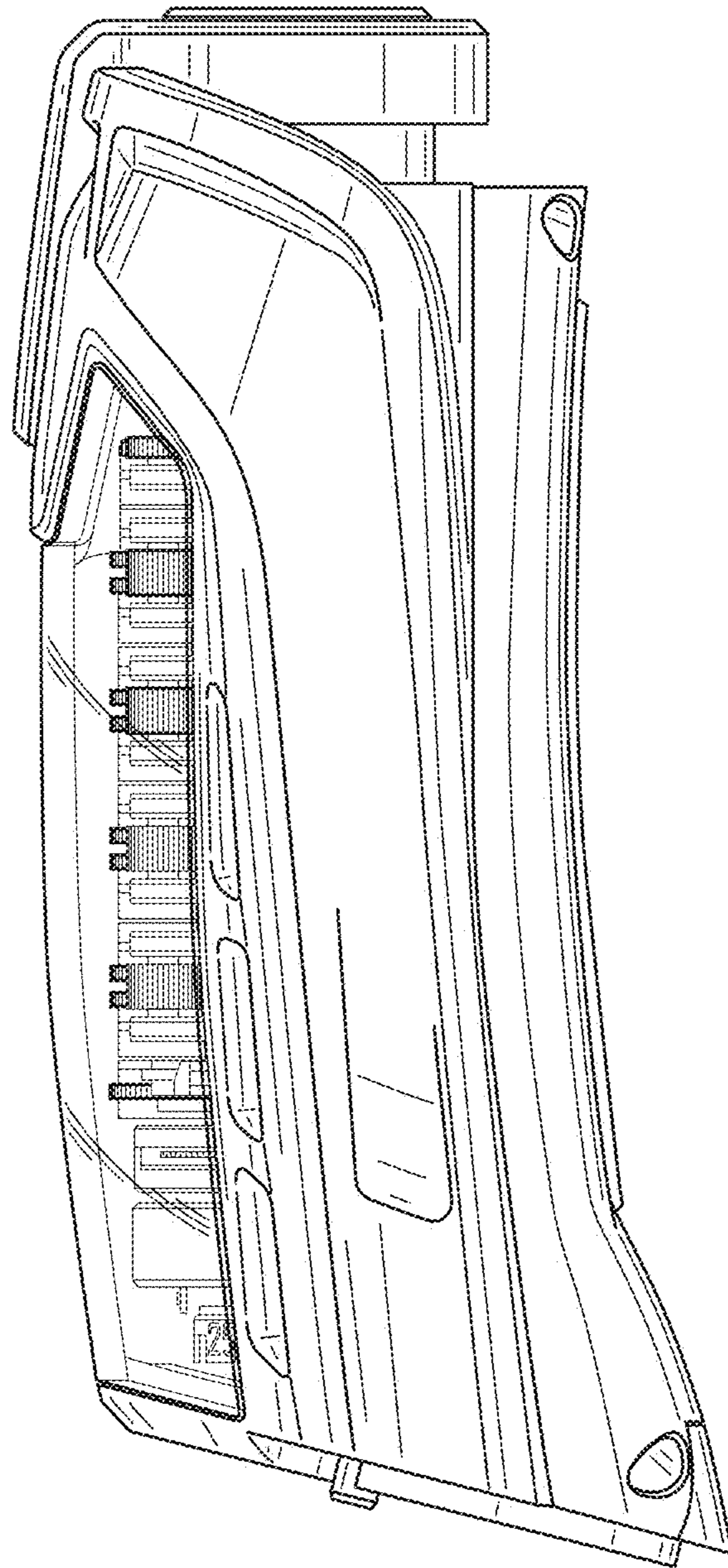


FIG. 4

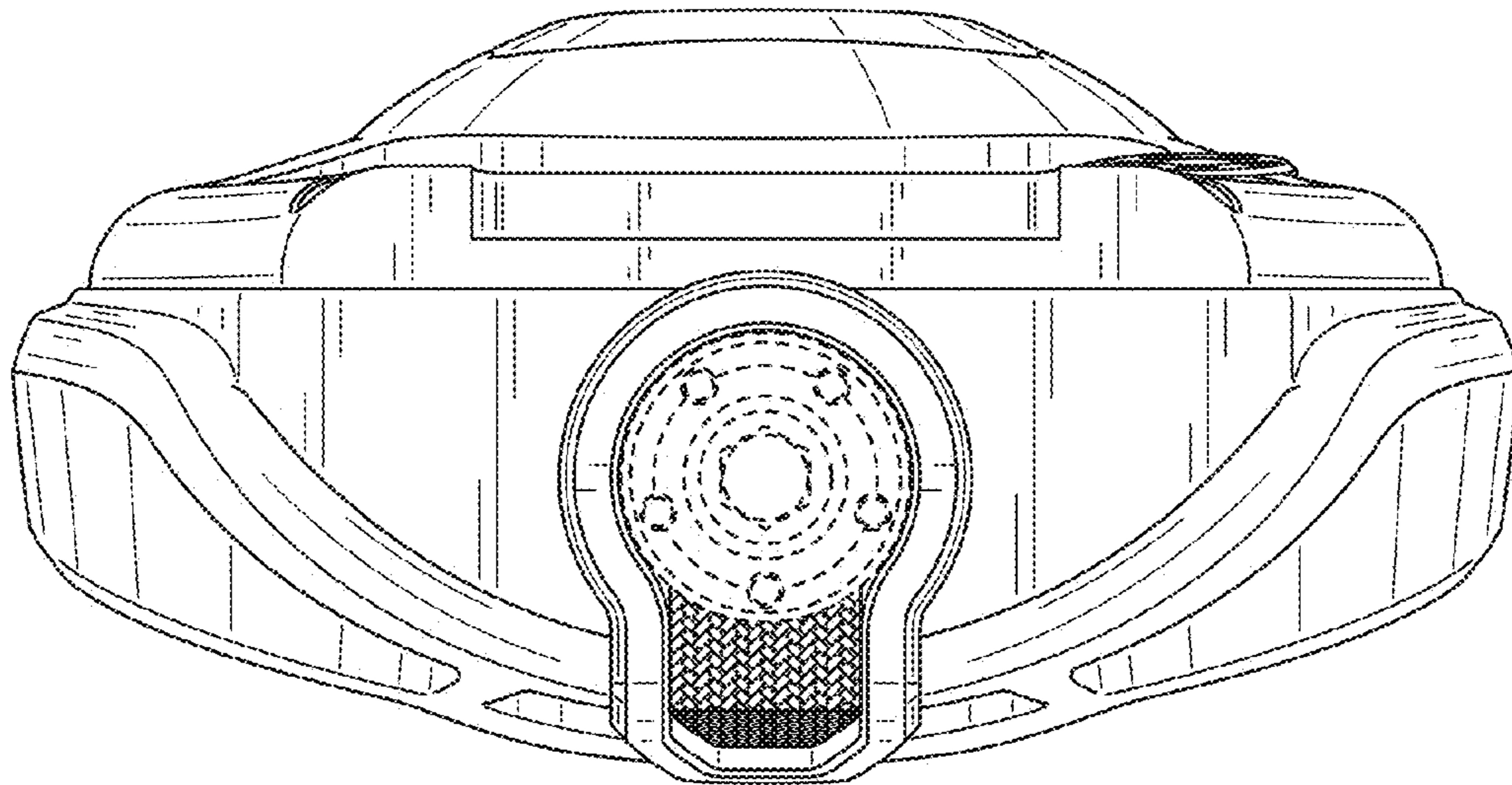


FIG. 5

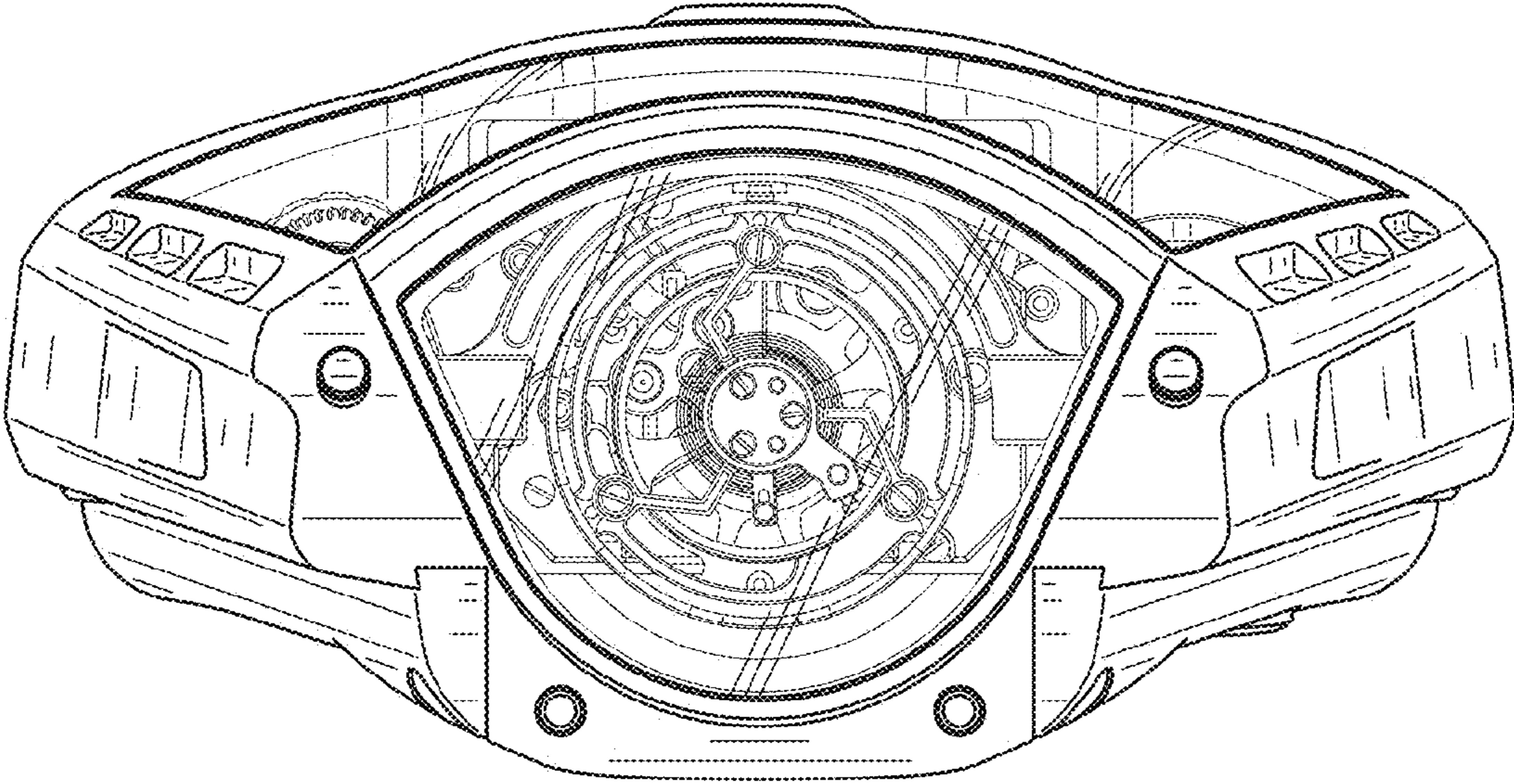


FIG. 6