



US00D742254S

(12) **United States Design Patent**
Greusel et al.

(10) **Patent No.:** **US D742,254 S**
(45) **Date of Patent:** **** Nov. 3, 2015**

- (54) **WATCH WITH DISPLAY**
- (71) Applicant: **Garmin Switzerland GmbH**,
Schaffhausen (CH)
- (72) Inventors: **Nicholas B. Greusel**, Overland Park, KS
(US); **Todd P. Register**, Olathe, KS
(US); **Kathryn M. Gutschenritter**,
Overland Park, KS (US); **Adam W.**
Roush, Prairie Village, KS (US); **David**
F. Lammers-Meis, Olathe, KS (US)
- (73) Assignee: **Garmin Switzerland GmbH** (CH)
- (**) Term: **14 Years**
- (21) Appl. No.: **29/490,476**
- (22) Filed: **May 9, 2014**
- (51) **LOC (10) Cl.** **30-02**
- (52) **U.S. Cl.**
USPC **D10/30; D10/38**
- (58) **Field of Classification Search**
USPC D10/30-39, 1-29, 122-132; D11/3;
D14/138 R, 344
CPC G04B 37/00; G04B 37/0008; G04C 3/00;
G04C 3/001; G04C 3/002; G04G 9/00;
G04G 9/0017; G04G 9/0058; G04G 9/04;
G04G 9/06; G04G 9/107; G04G 17/00;
G04G 17/005; G04G 9/08
See application file for complete search history.

(56) **References Cited**

U.S. PATENT DOCUMENTS

4,051,662 A	10/1977	O'Connor et al.	368/29
4,180,969 A	1/1980	Naito	368/21
D261,112 S	10/1981	Fukumura	D10/38
D261,113 S	10/1981	Fukumura	D10/39

D263,452 S	3/1982	Wada	D10/38
D265,295 S	7/1982	Wada	D10/38
D266,491 S	10/1982	Abe	D10/39
4,398,834 A	8/1983	Wakai	368/223
D303,769 S	10/1989	Ando	D10/38
D331,020 S	11/1992	Ishii et al.	D10/31
D331,021 S	11/1992	Ishii et al.	D10/31
D355,610 S	2/1995	Sugita	D10/31

(Continued)

OTHER PUBLICATIONS

Printout from <http://www.cnet.com/news/casio-unveils-new-g-shock-watches-including-upgraded-bluetooth-models/>, published prior to May 9, 2014.

(Continued)

Primary Examiner — Martie K Holtje

(74) *Attorney, Agent, or Firm* — Samuel M. Korte; Maxwell M. Ali

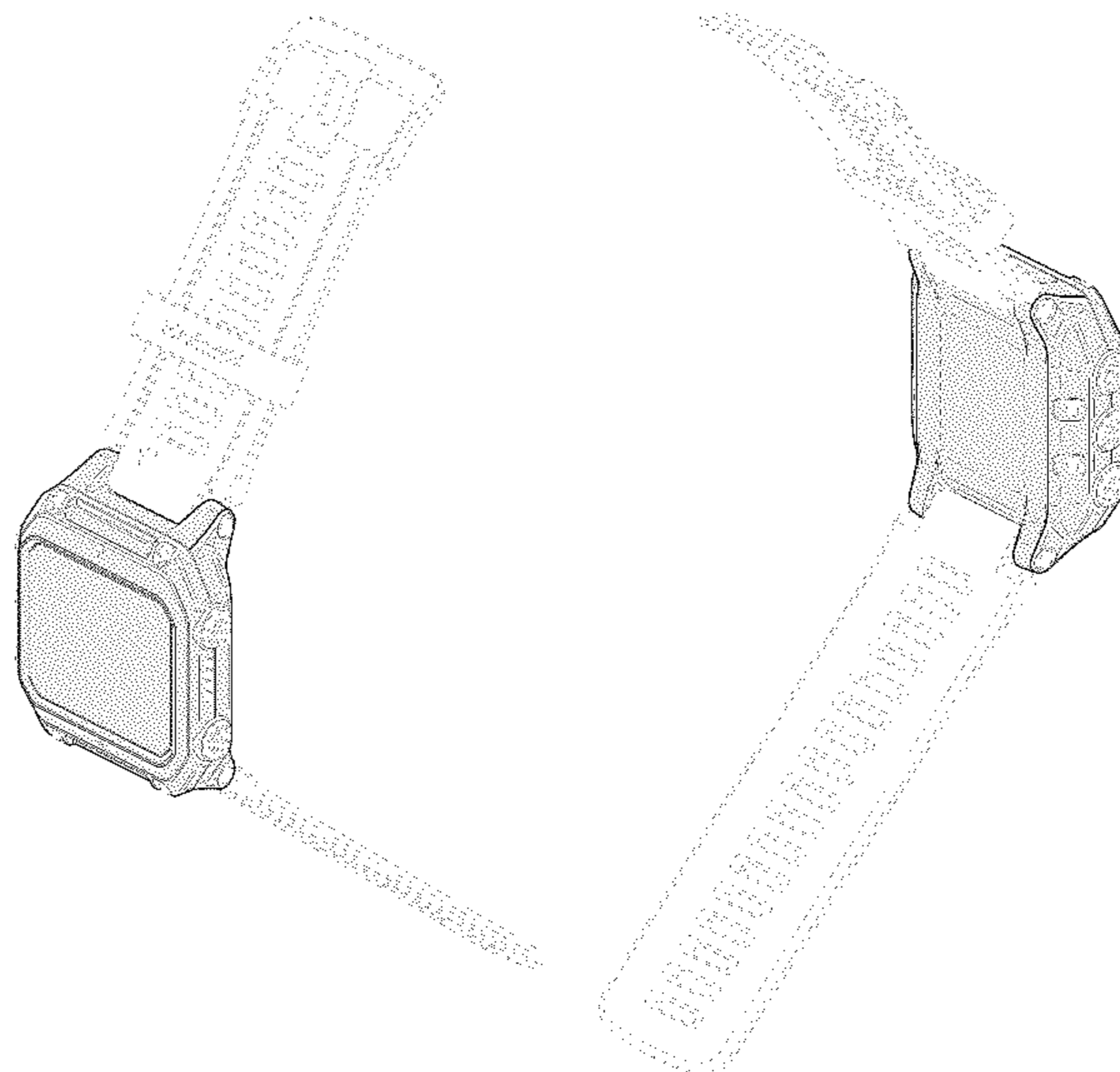
(57) **CLAIM**

The ornamental design for a watch with display, as shown and described.

DESCRIPTION

FIG. 1 is a front perspective view of a watch with display according to the present invention; FIG. 2 is a rear perspective view of the watch with display; FIG. 3 is a top view of the watch with display; FIG. 4 is a front view of the watch with display; FIG. 5 is a bottom view of the watch with display; FIG. 6 is a rear view of the watch with display; FIG. 7 is a left side view of the watch with display; and, FIG. 8 is a right side view of the watch with display. The structural features depicted by broken lines have been shown for the purpose of illustrating portions of the watch with display that form no part of the claimed design.

1 Claim, 4 Drawing Sheets



(56)

References Cited

U.S. PATENT DOCUMENTS

D363,234 S 10/1995 Morishima et al. D10/38
 D370,639 S 6/1996 Morishima et al. D10/38
 D390,789 S 2/1998 Sugita et al. D10/30
 5,974,000 A * 10/1999 Pfeil 368/10
 D452,008 S 12/2001 Komulainen 24/167
 D527,657 S 9/2006 Wilcox et al. D10/38
 D549,602 S 8/2007 Oberrieder et al. D10/65
 D550,101 S * 9/2007 Umebayashi et al. D10/32
 D550,105 S 9/2007 Oberrieder et al. D10/65
 D551,094 S 9/2007 Yan D10/32
 D560,520 S 1/2008 Oberrieder et al. D10/65
 7,398,151 B1 7/2008 Burrell et al. 701/200
 D596,510 S 7/2009 Register et al. D10/38
 D610,922 S 3/2010 Lammers-Meis et al. D10/32
 D637,918 S * 5/2011 Cobbett et al. D10/31
 D638,736 S * 5/2011 Cobbett et al. D11/3

8,059,491 B1 * 11/2011 Hennings-Kampa 368/14
 D660,726 S * 5/2012 Register et al. D10/38
 D661,206 S 6/2012 Register et al. D10/38
 8,345,412 B2 * 1/2013 Maravilla et al. 361/679.03
 D688,582 S * 8/2013 Wilson D10/128
 D688,967 S * 9/2013 Wilson D10/128
 2011/0012796 A1 * 1/2011 Kim et al. 343/702
 2013/0181873 A1 * 7/2013 Gutschenritter et al. 343/718
 2013/0242709 A1 * 9/2013 Chan 368/10

OTHER PUBLICATIONS

Printout from <http://www.cnet.com/news/timex-gets-outdoorsy-with-expedition-ws4/>, published prior to May 9, 2014.

Printout from <http://www.carbuzz.com/news/2011/12/18/The-Avenger-A-Watch-Inspired-by-the-Lamborghini-Aventador-7706080/>, published prior to May 9, 2014.

* cited by examiner

Fig. 2

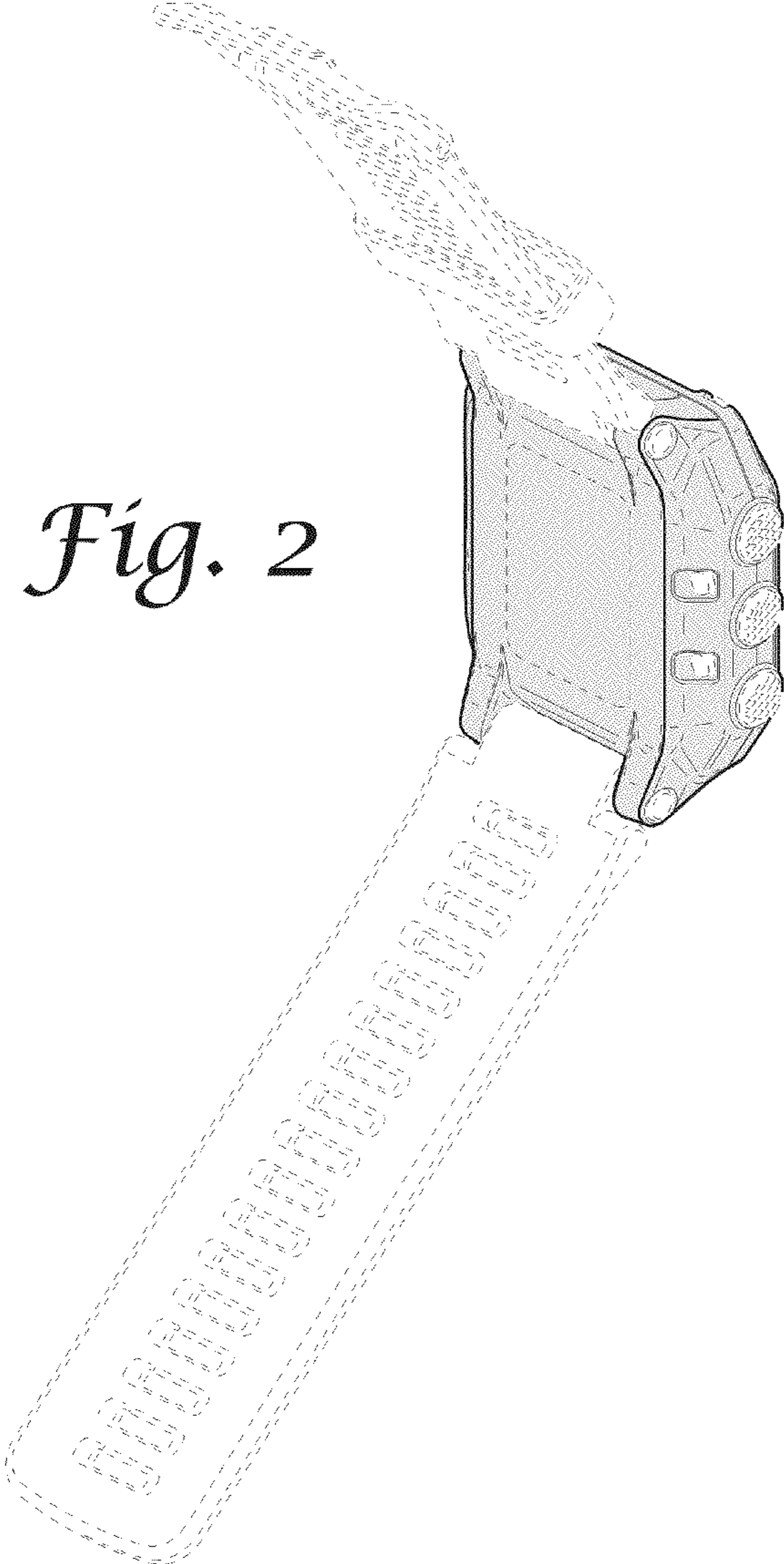
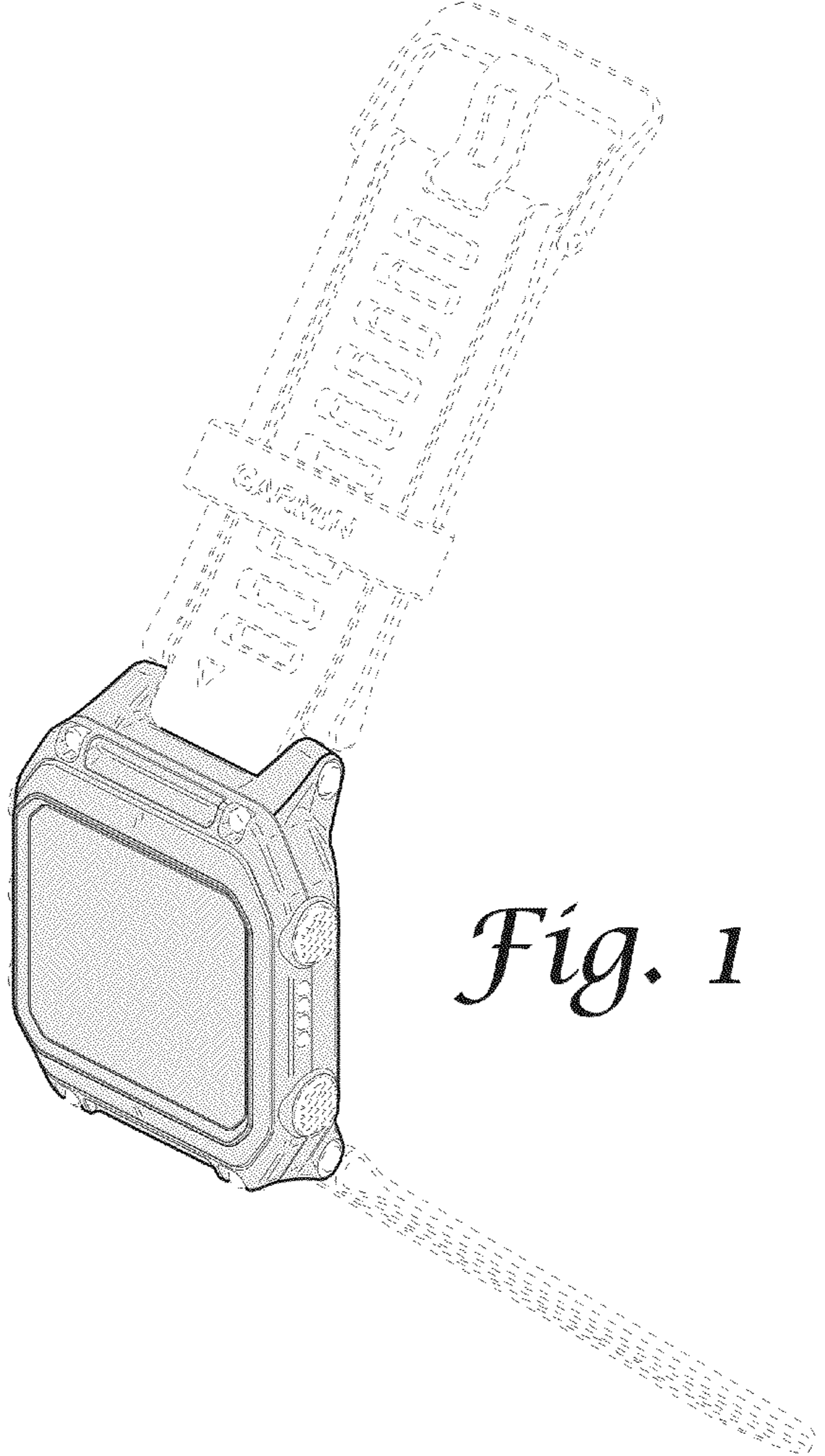


Fig. 1



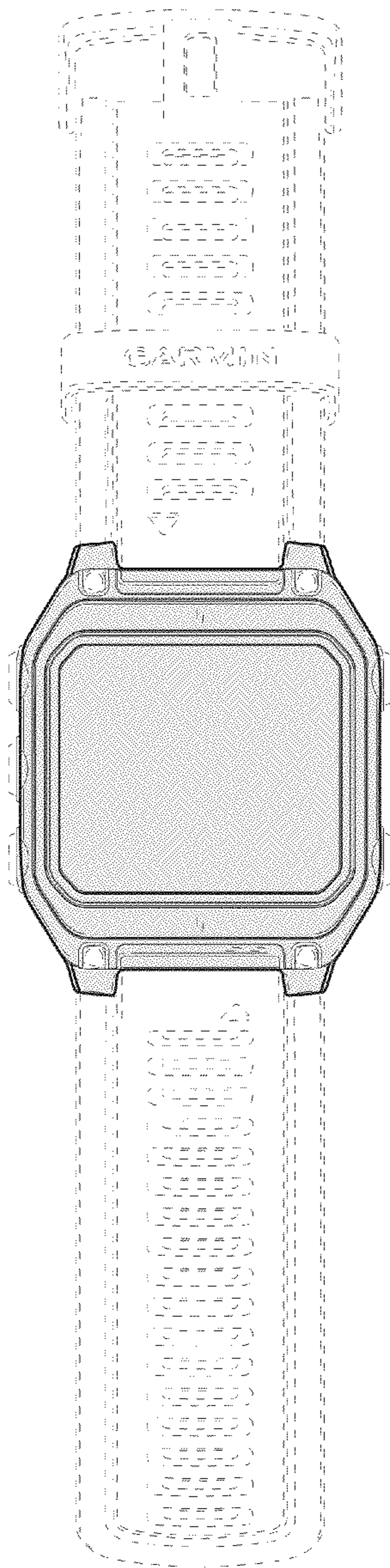


Fig. 4

Fig. 3

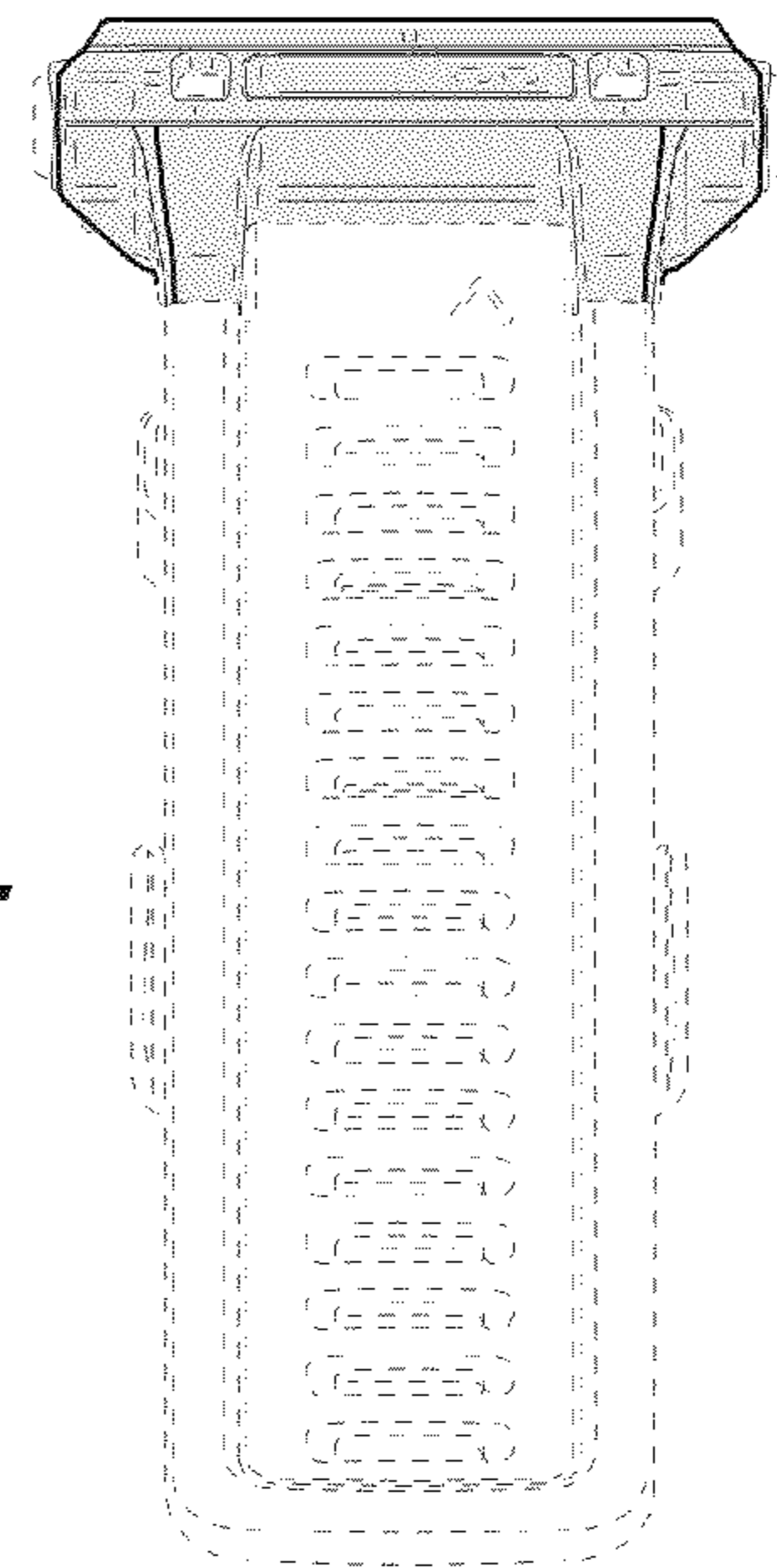
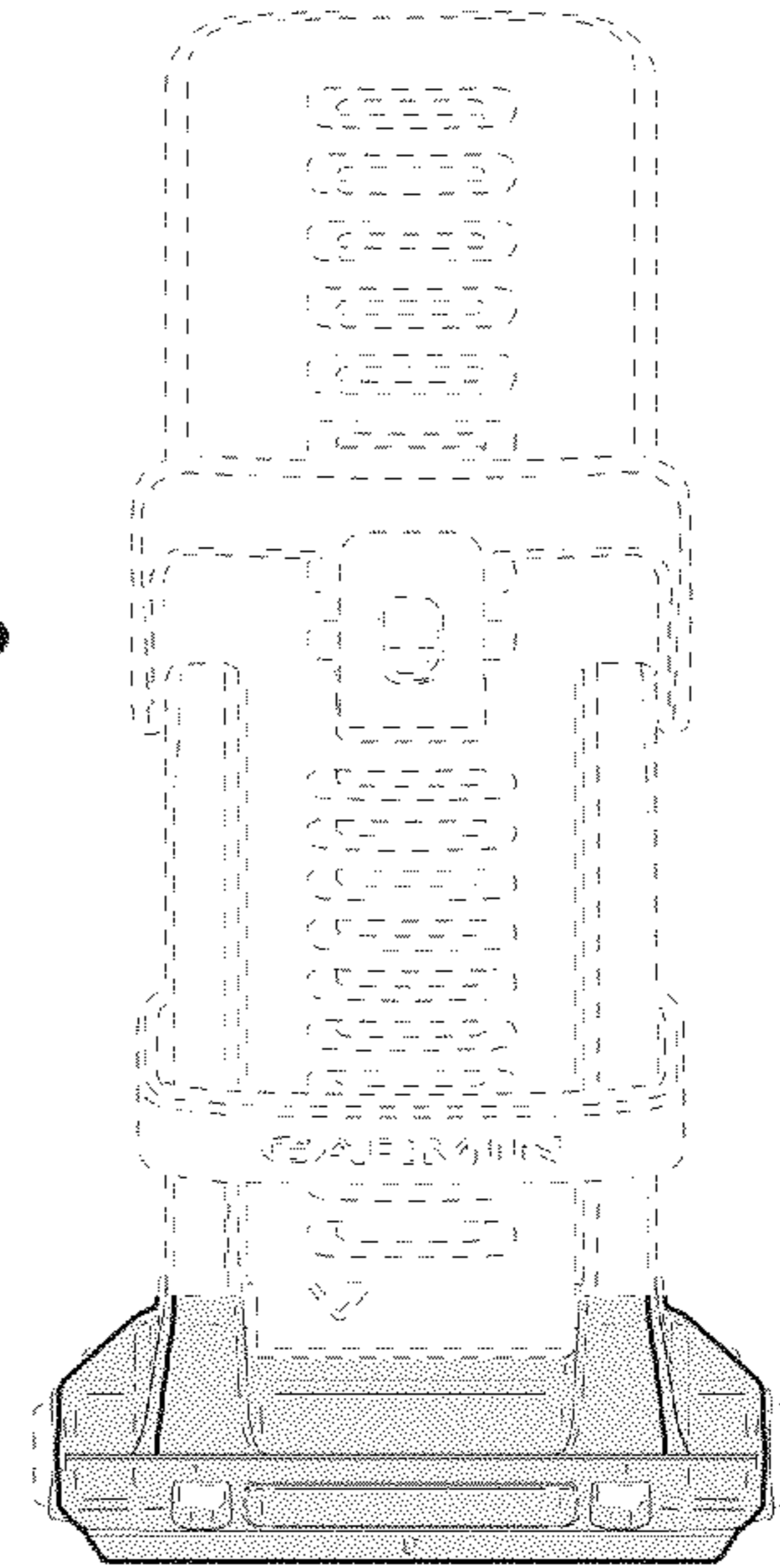


Fig. 5

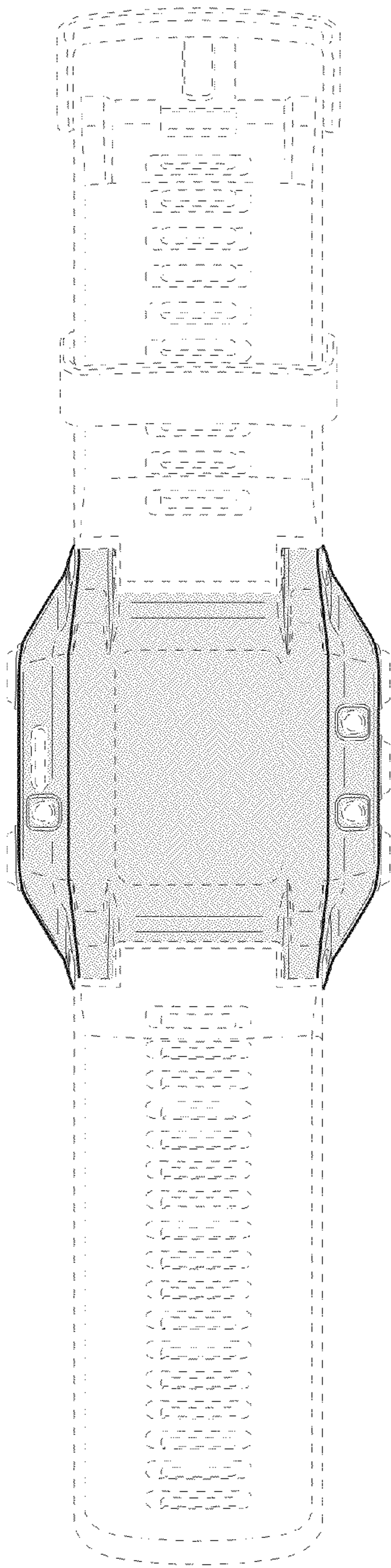


Fig. 6

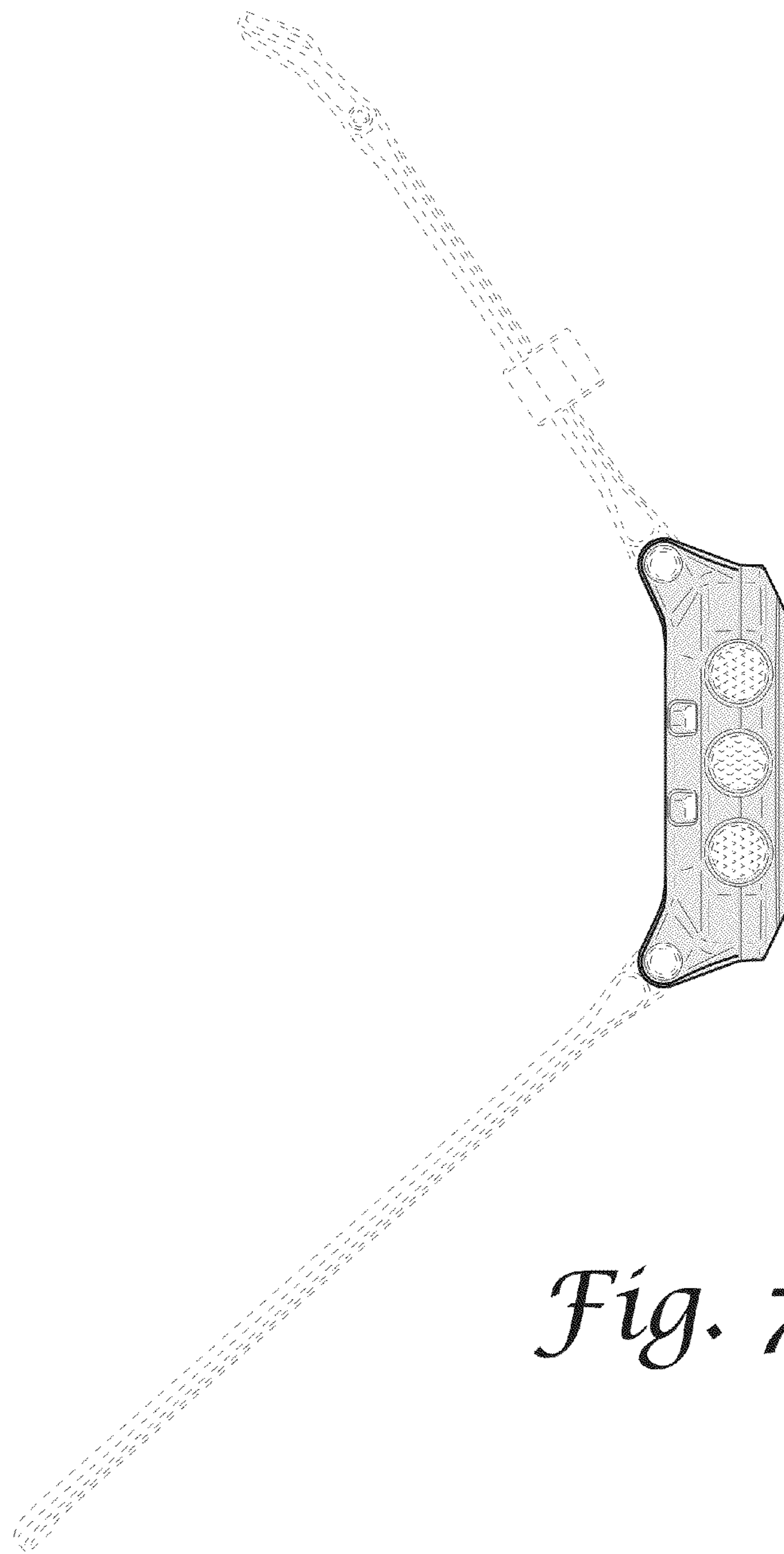


Fig. 7

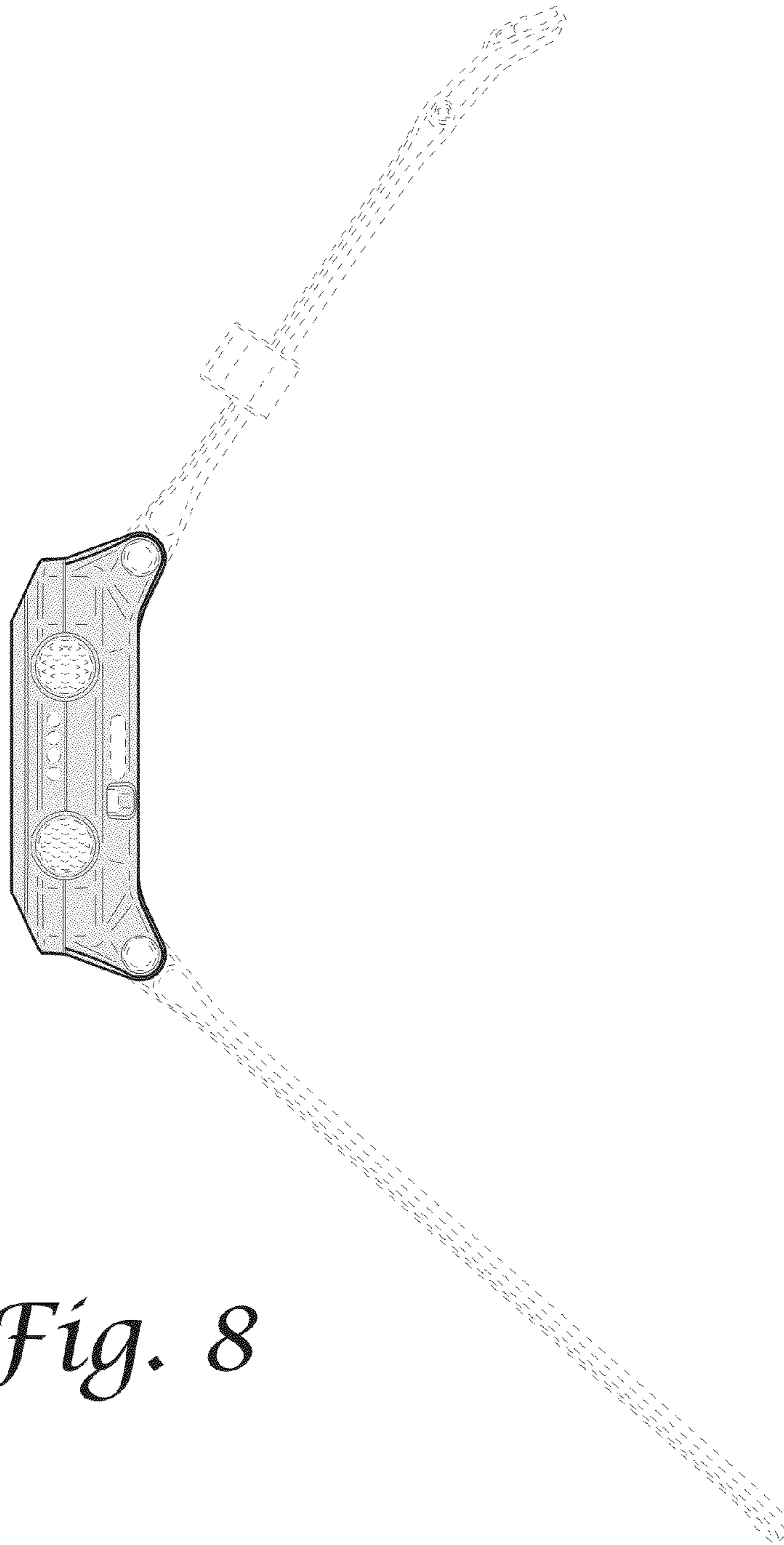


Fig. 8