



US00D742246S

(12) **United States Design Patent**
Tan

(10) **Patent No.:** **US D742,246 S**

(45) **Date of Patent:** **** Nov. 3, 2015**

(54) **FOOD PACKAGING**

(71) Applicant: **TAN SENG KEE FOODS PTE LTD,**
Singapore (SG)

(72) Inventor: **Choon Kwang Tan,** Singapore (SG)

(73) Assignee: **TAN SENG KEE FOODS PTE LTD,**
Singapore (SG)

(**) Term: **14 Years**

(21) Appl. No.: **29/480,265**

(22) Filed: **Jan. 24, 2014**

(51) **LOC (10) Cl.** **09-05**

(52) **U.S. Cl.**
USPC **D9/707**

(58) **Field of Classification Search**
USPC D9/702-714, 499, 442-443, 434-435,
D9/415; D24/118, 121, 207; 426/106;
383/61.1, 42, 119-120, 106-108, 103,
383/127, 114, 907; D3/203.1, 303, 203.2;
D27/183, 185, 189; 222/92, 107, 215;
220/495.03; 206/406, 811, 484, 260,
206/527, 248; 428/35.2

See application file for complete search history.

(56) **References Cited**

U.S. PATENT DOCUMENTS

D239,253 S *	3/1976	Tiep et al.	D9/707
D271,943 S *	12/1983	Beise et al.	D9/415
D319,780 S *	9/1991	Laaki	D9/707
D424,931 S *	5/2000	Teasdale et al.	D9/418
D535,568 S *	1/2007	Hunter	D9/703
D535,569 S *	1/2007	Hunter	D9/703
D576,888 S *	9/2008	Helfman	D9/631
D597,832 S *	8/2009	Bischoff et al.	D9/431
D625,613 S *	10/2010	Cowan-Hughes et al.	D9/703
D637,485 S *	5/2011	Blomberg	D9/431
D653,534 S *	2/2012	Shinn	D9/415
D682,113 S *	5/2013	Lee et al.	D9/643
D690,196 S *	9/2013	Kessler et al.	D9/431

* cited by examiner

Primary Examiner — Caron D Veynar

Assistant Examiner — Abraham Bahta

(74) *Attorney, Agent, or Firm* — K&L Gates LLP

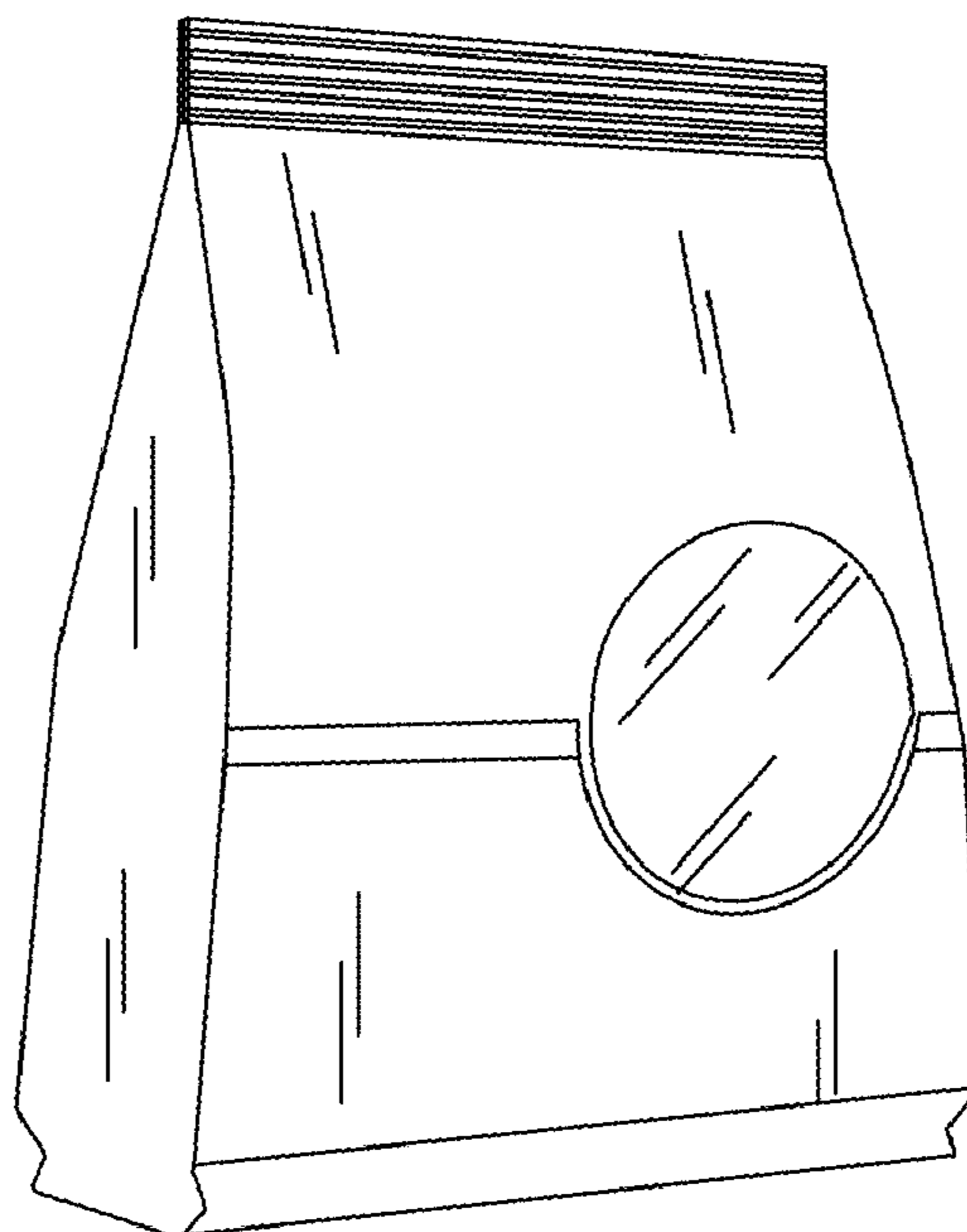
(57) **CLAIM**

The ornamental design for food packaging, as shown and described.

DESCRIPTION

FIG. 1 is a bottom view of the food packaging according to the new design;
FIG. 2 is a front view of the food packaging;
FIG. 3 is a top view of the food packaging;
FIG. 4 is a front perspective view of the food packaging;
FIG. 5 is a rear view of the food packaging; and,
FIG. 6 is a side view of the food packaging.

1 Claim, 2 Drawing Sheets



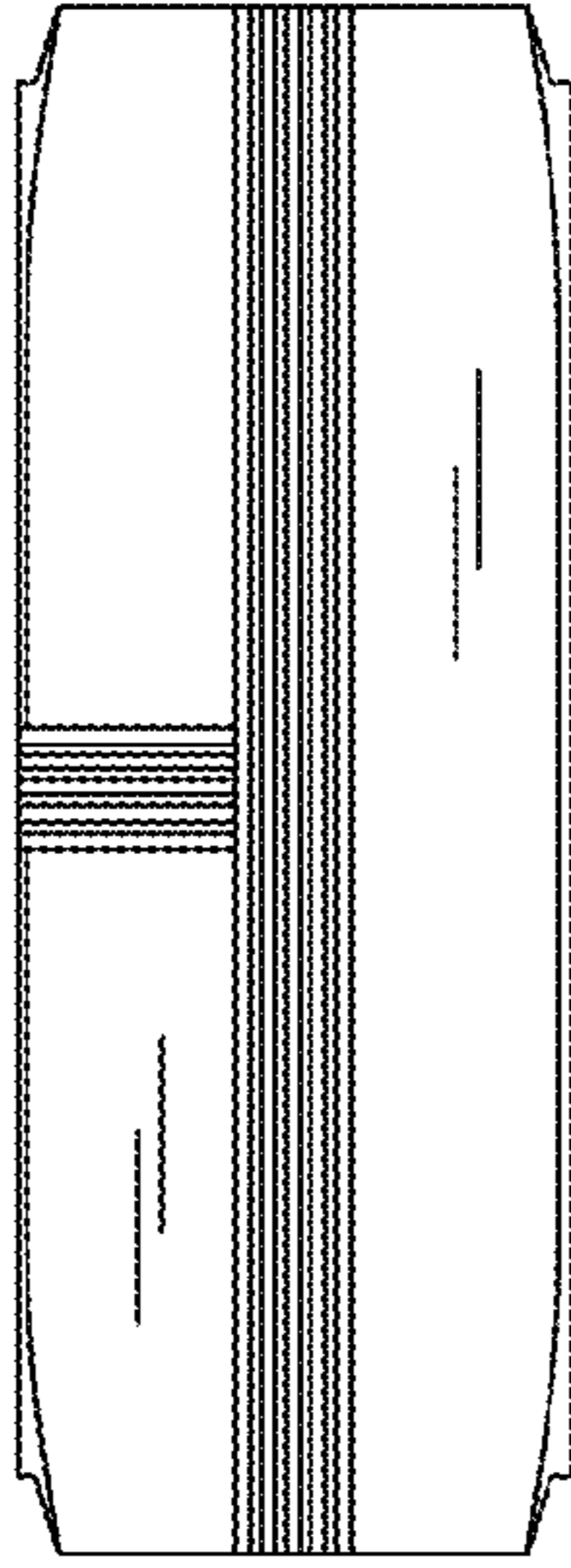


FIG. 1

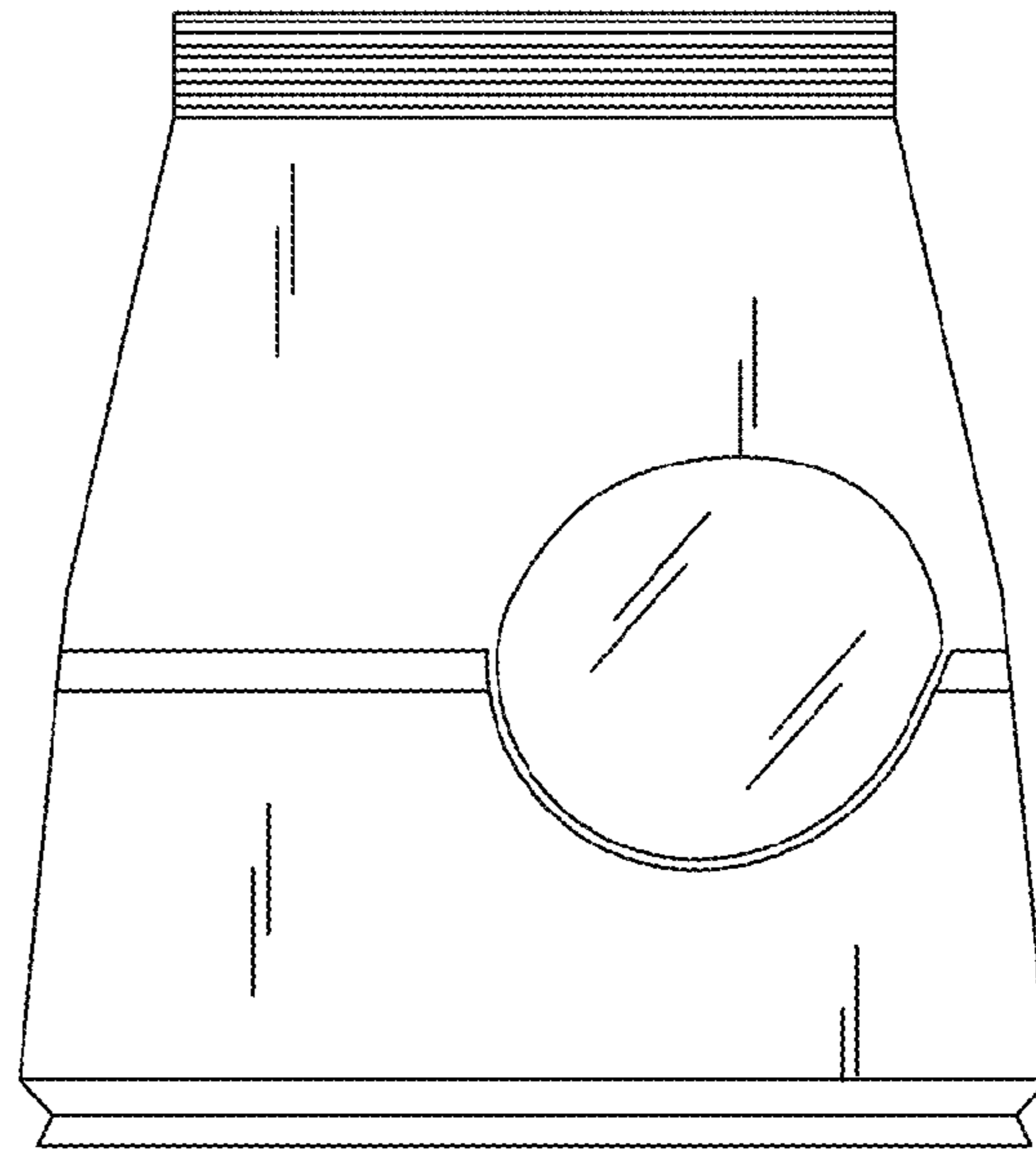


FIG. 2

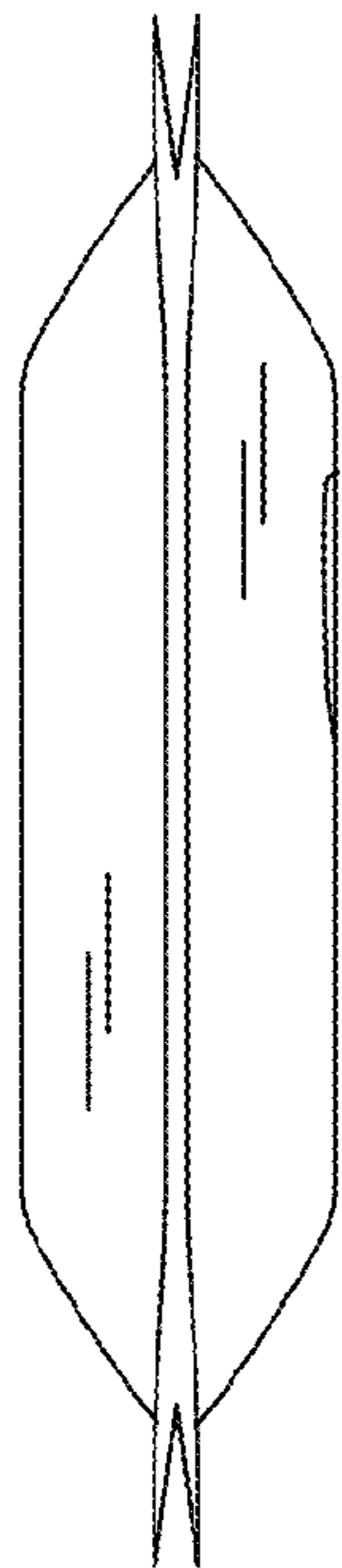


FIG. 3

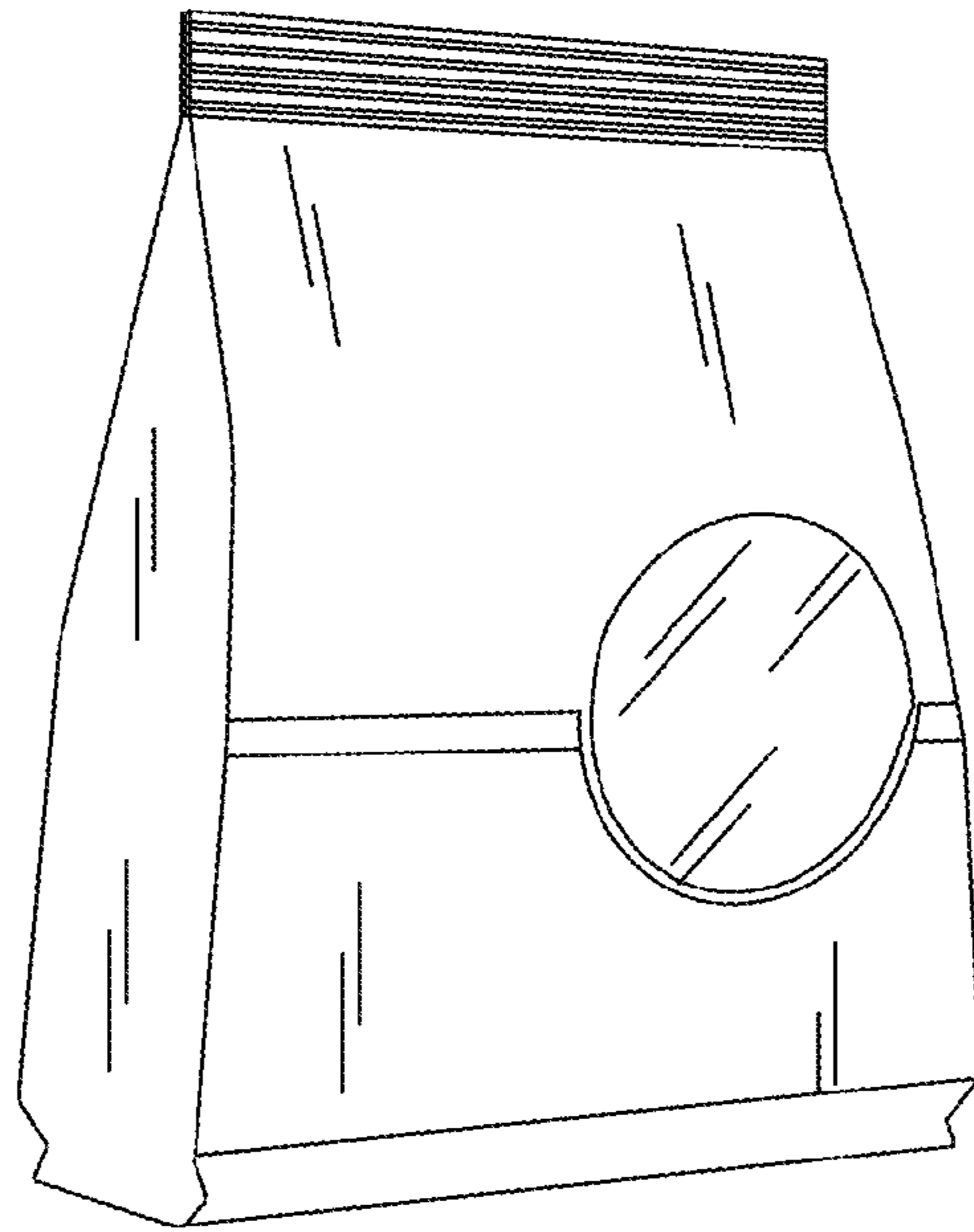


FIG. 4

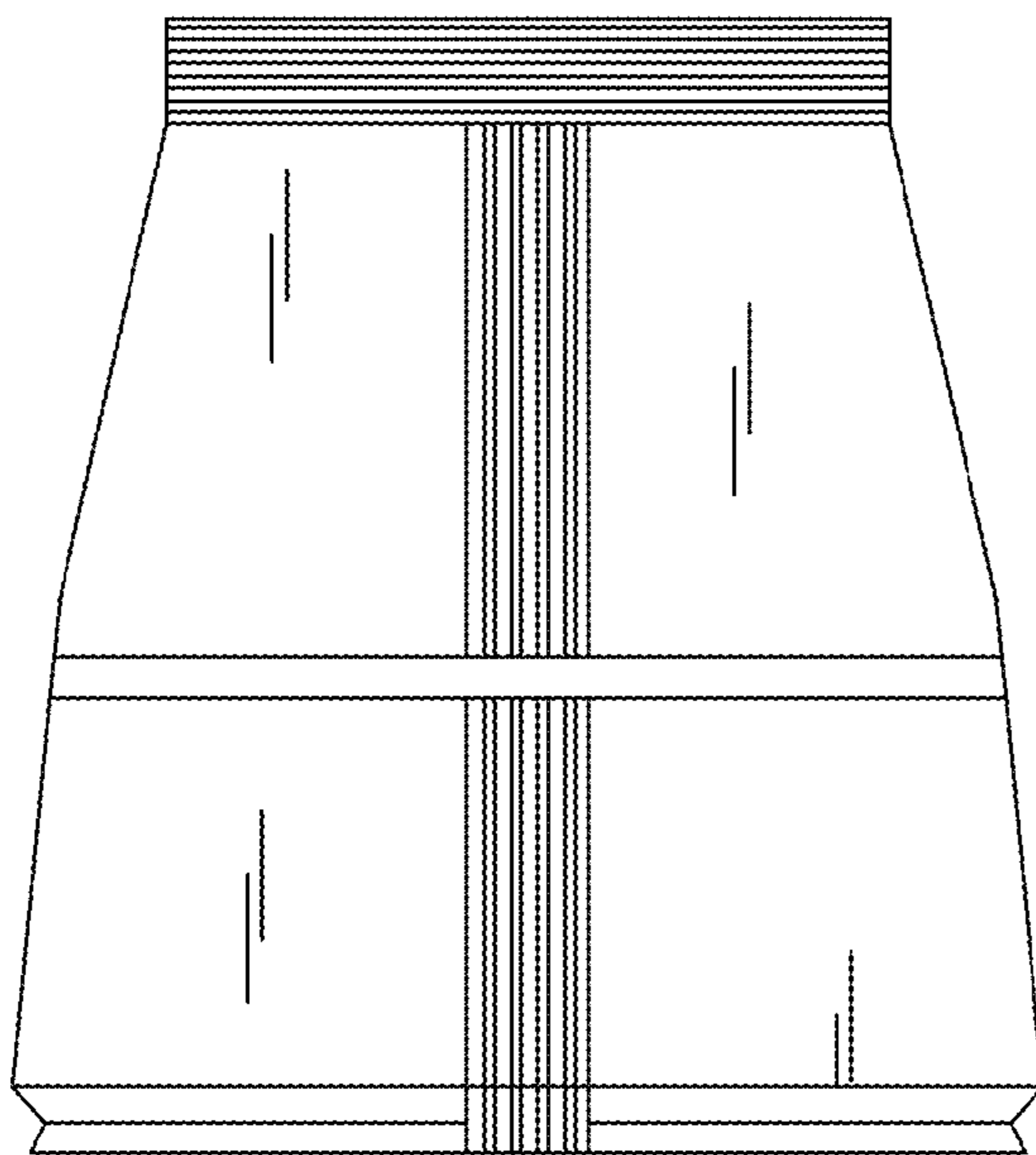


FIG. 5

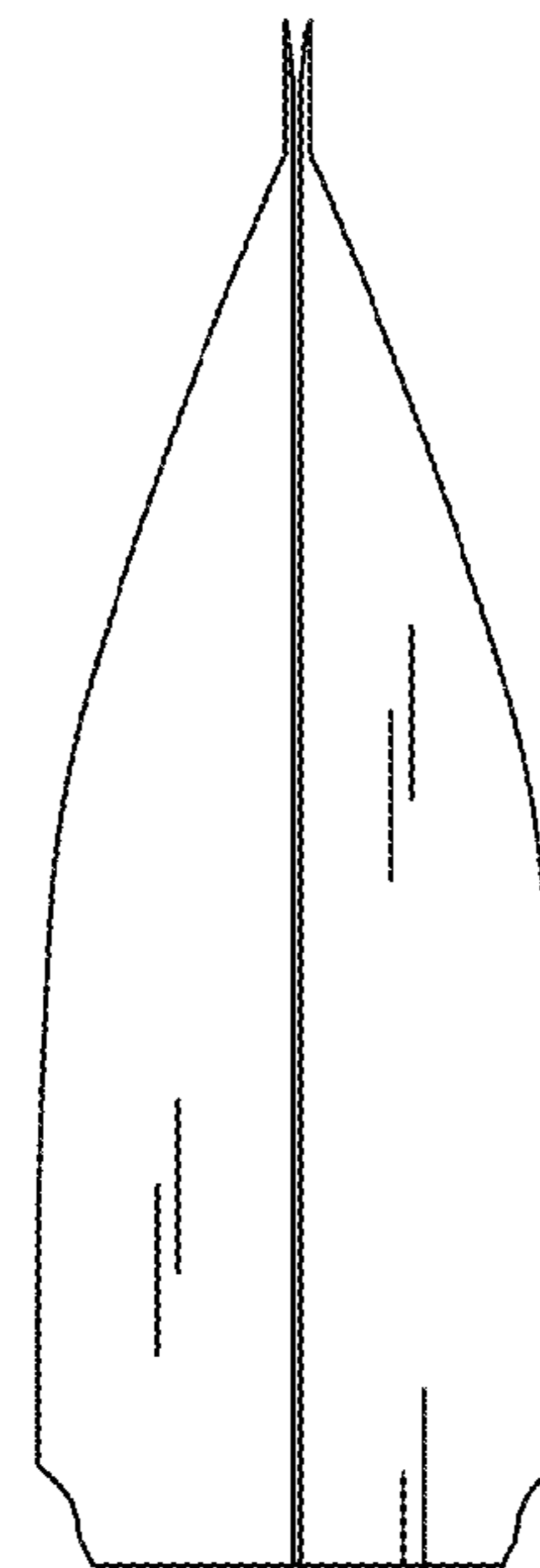


FIG. 6