



US00D742241S

(12) **United States Design Patent**
Shell-Schnitzer

(10) **Patent No.:** **US D742,241 S**
(45) **Date of Patent:** **** Nov. 3, 2015**

(54) **BOTTLE ASSEMBLY**

(71) Applicant: **Benjamin Shell-Schnitzer**, New York,
NY (US)

(72) Inventor: **Benjamin Shell-Schnitzer**, New York,
NY (US)

(**) Term: **14 Years**

(21) Appl. No.: **29/464,665**

(22) Filed: **Aug. 20, 2013**

(51) **LOC (10) Cl.** **09-01**

(52) **U.S. Cl.**
USPC **D9/558; D9/443; D9/503**

(58) **Field of Classification Search**
USPC D9/434-435, 443, 454, 500, 503-505,
D9/516, 529-530, 537, 539, 549, 558, 574,
D9/715, 719; D3/203.2; D24/224
CPC B65D 1/00; B65D 1/02; B65D 1/0223;
B65D 23/00; B65D 81/00; B65D 2501/00;
B65D 2501/0009

See application file for complete search history.

(56) **References Cited**

U.S. PATENT DOCUMENTS

D163,217	S *	5/1951	Miller	D7/612
2,996,225	A *	8/1961	Pike	222/545
D211,710	S *	7/1968	Marchant	D9/574
D228,345	S *	9/1973	Kleinman	D9/439
3,764,033	A	10/1973	Smith et al.		
D256,651	S *	9/1980	Leung et al.	D7/608
4,284,201	A	8/1981	Nixon		
D277,459	S *	2/1985	Baum et al.	D9/443
4,991,729	A	2/1991	Hunter		
4,998,632	A	3/1991	Morris, Sr.		
5,148,931	A	9/1992	Minh		
D329,980	S *	10/1992	Powell et al.	D9/443
5,158,194	A	10/1992	Sirgo et al.		
5,316,732	A *	5/1994	Golukhov et al.	422/527
5,358,129	A *	10/1994	Watts	215/206
D364,808	S *	12/1995	King	D9/438

5,579,934	A	12/1996	Buono		
5,699,922	A	12/1997	Harding		
D411,451	S *	6/1999	Young	D9/443
6,202,869	B1	3/2001	Sullivan		
D497,778	S *	11/2004	Rich	D7/608
D533,396	S *	12/2006	Lipson	D7/392.1
D601,022	S *	9/2009	Zamberlan et al.	D9/503
D656,236	S *	3/2012	Marechal et al.	D24/224
D656,622	S *	3/2012	Gasser et al.	D24/224
8,292,110	B2	10/2012	Rutter et al.		
8,316,622	B2	11/2012	Jajoo et al.		
D684,458	S *	6/2013	Lee et al.	D9/417
8,453,873	B2	6/2013	Zielinski et al.		
D698,009	S *	1/2014	Smith	D23/233
D704,554	S *	5/2014	Baird	D9/435
8,833,578	B1 *	9/2014	Shell-Schnitzer	215/223

(Continued)

FOREIGN PATENT DOCUMENTS

GB 2 099 801 A 12/1982

Primary Examiner — Dana L Meyrow

(74) *Attorney, Agent, or Firm* — Muirhead and Saturnelli,
LLC

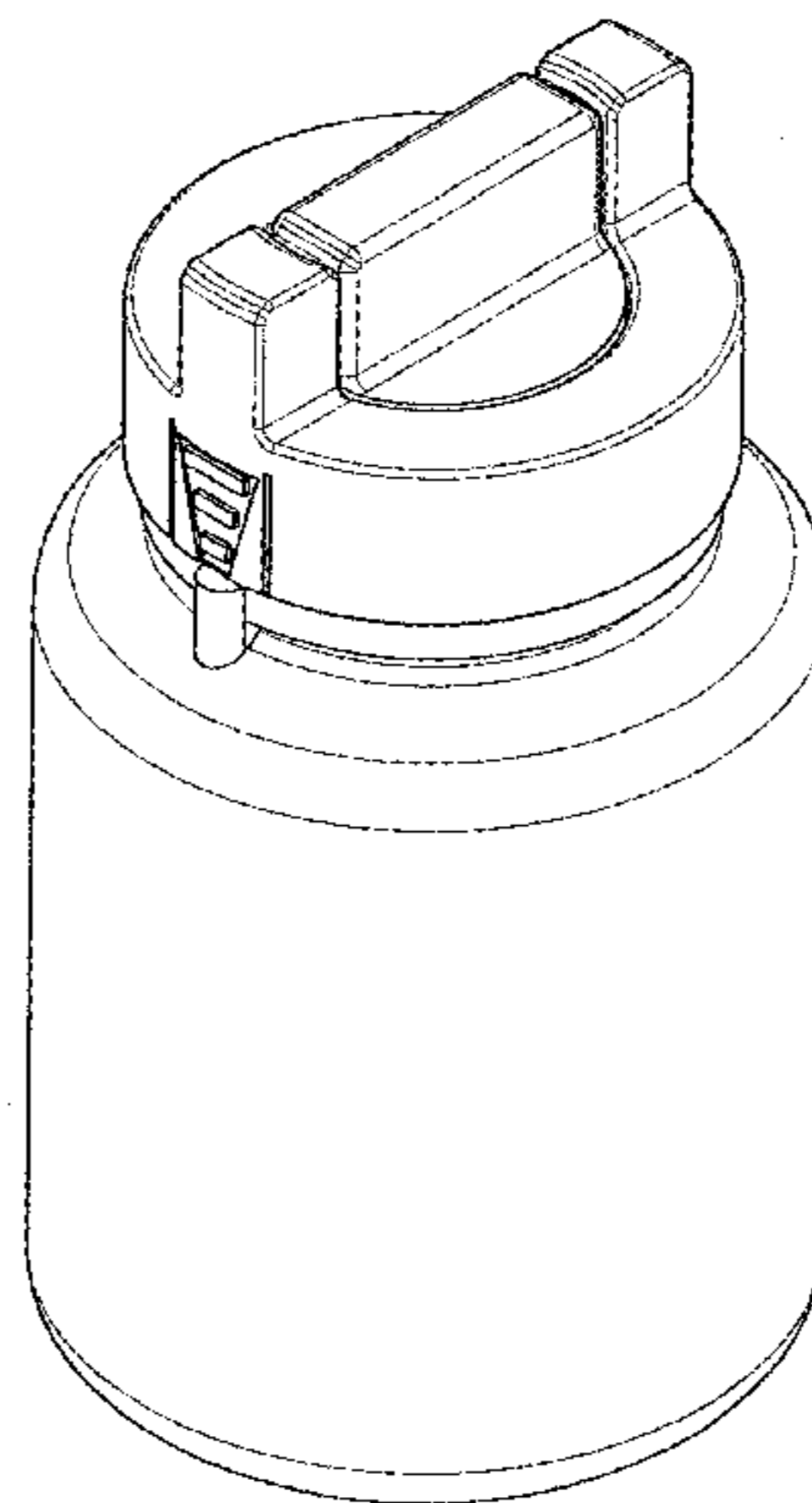
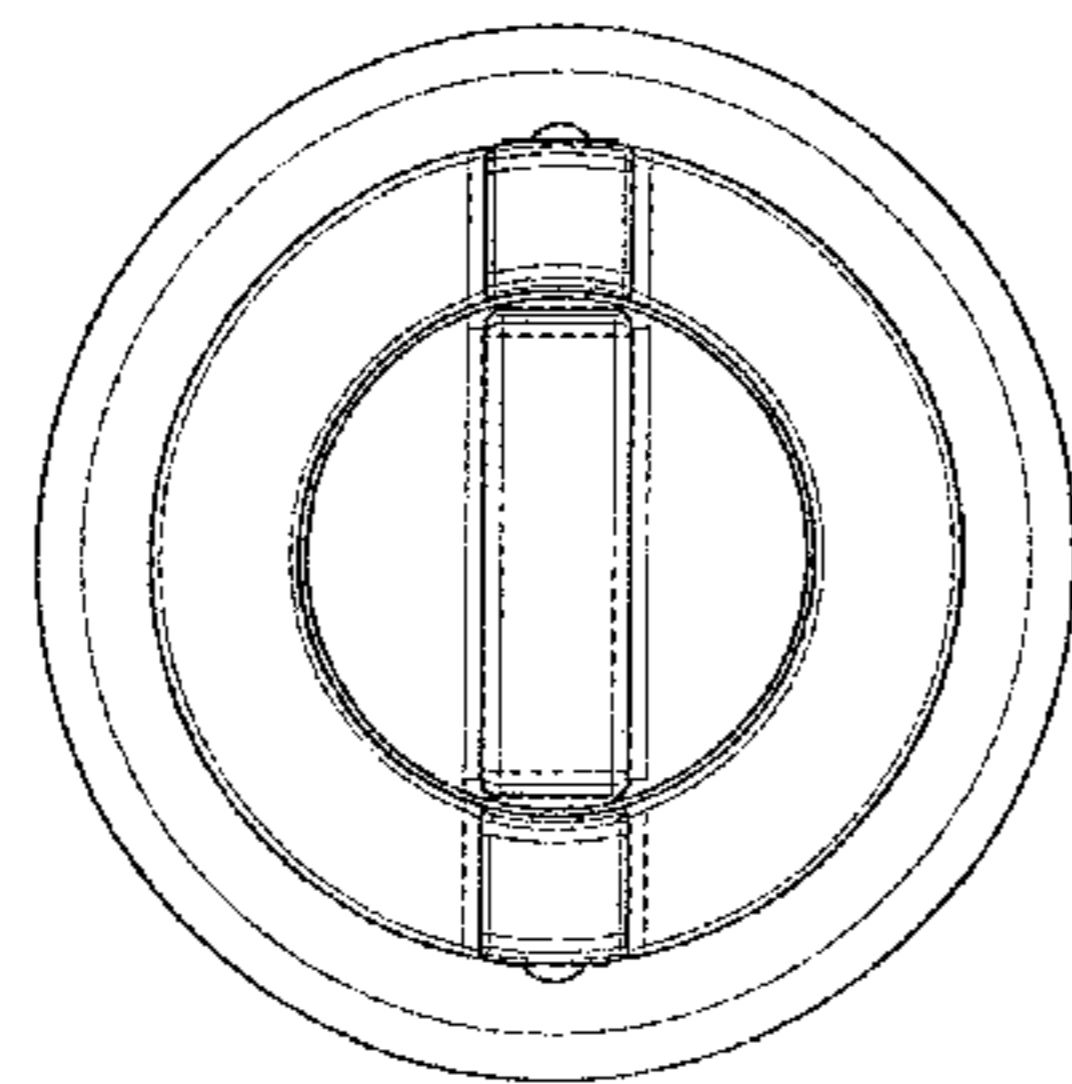
(57) **CLAIM**

The ornamental design for a bottle assembly, as shown and described.

DESCRIPTION

FIG. 1 is a top plan view showing the new design;
FIG. 2 is a left side elevational view thereof;
FIG. 3 is a front elevational view thereof;
FIG. 4 is a bottom plan view thereof;
FIG. 5 is a right side elevational view thereof;
FIG. 6 is a back elevational view thereof;
FIG. 7 is a perspective view thereof;
FIG. 8 is another perspective view thereof showing the bottle assembly in a different operational state; and,
FIG. 9 is another top plan view showing the bottle assembly in the different operational state.

1 Claim, 3 Drawing Sheets



(56)

References Cited

U.S. PATENT DOCUMENTS

2007/0199912 A1 8/2007 Libohova et al.

2007/0267379 A1 11/2007 Creasap
2011/0174759 A1 7/2011 Titherington

* cited by examiner

FIG. 1

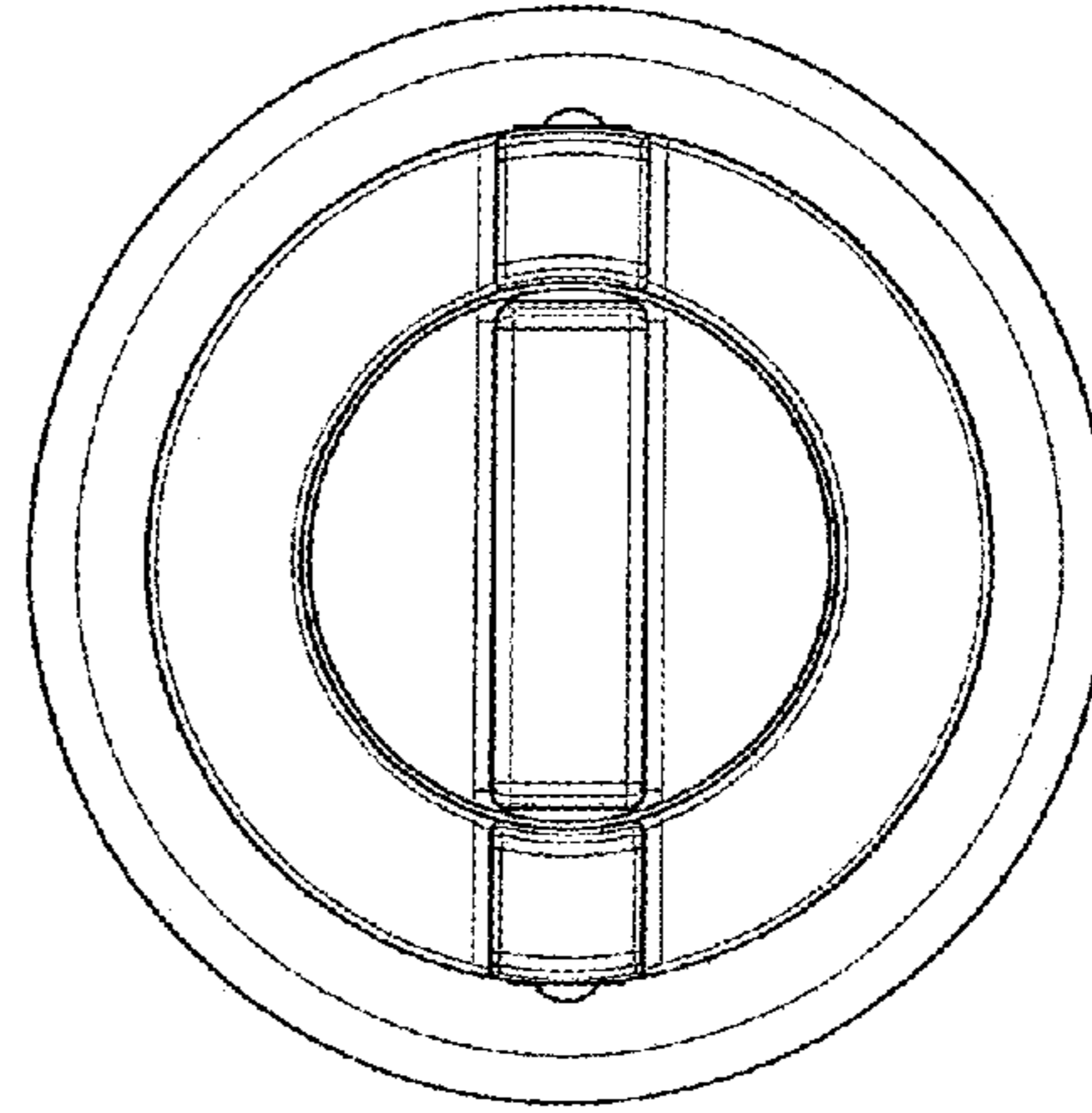


FIG. 2

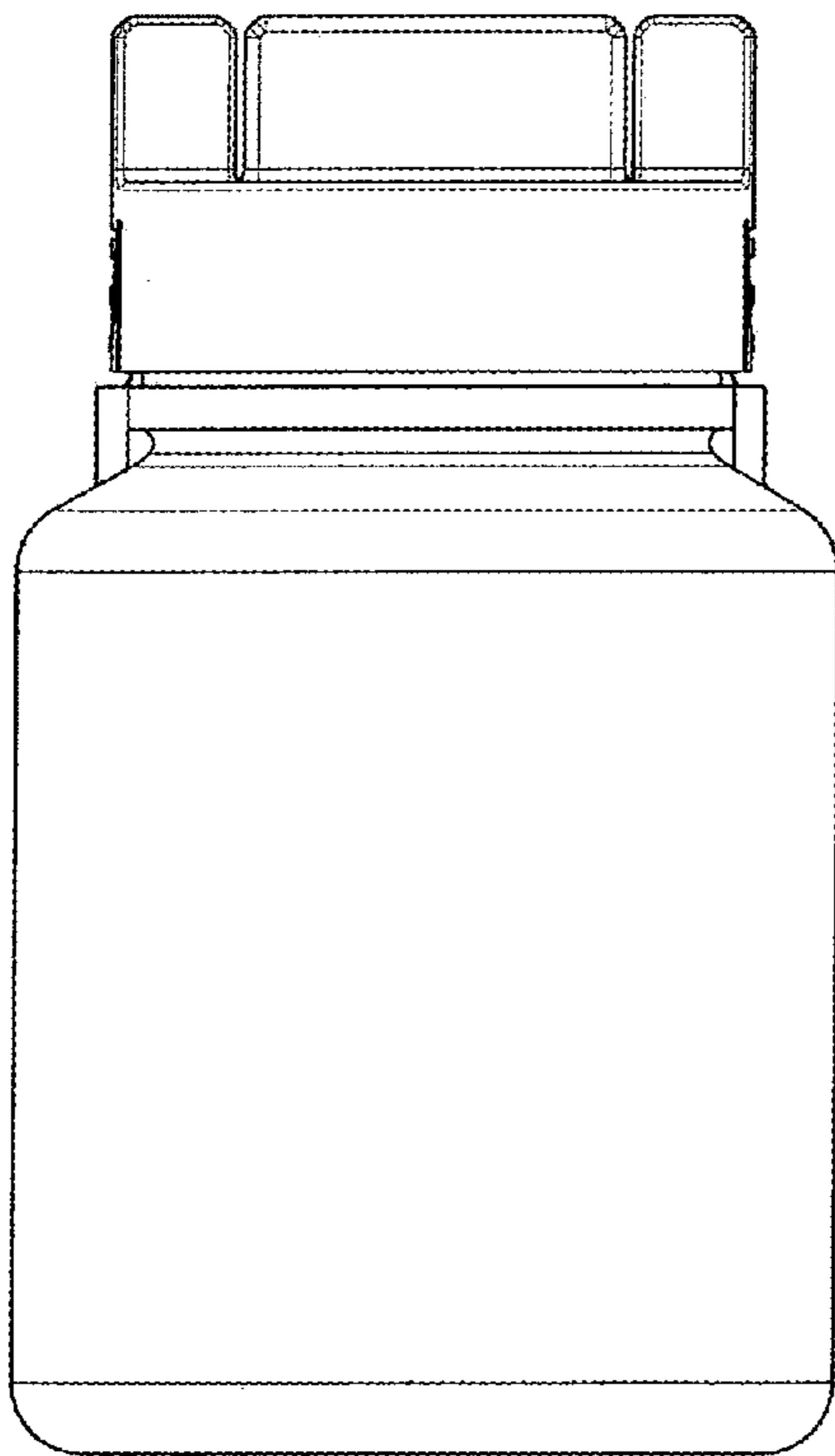


FIG. 3

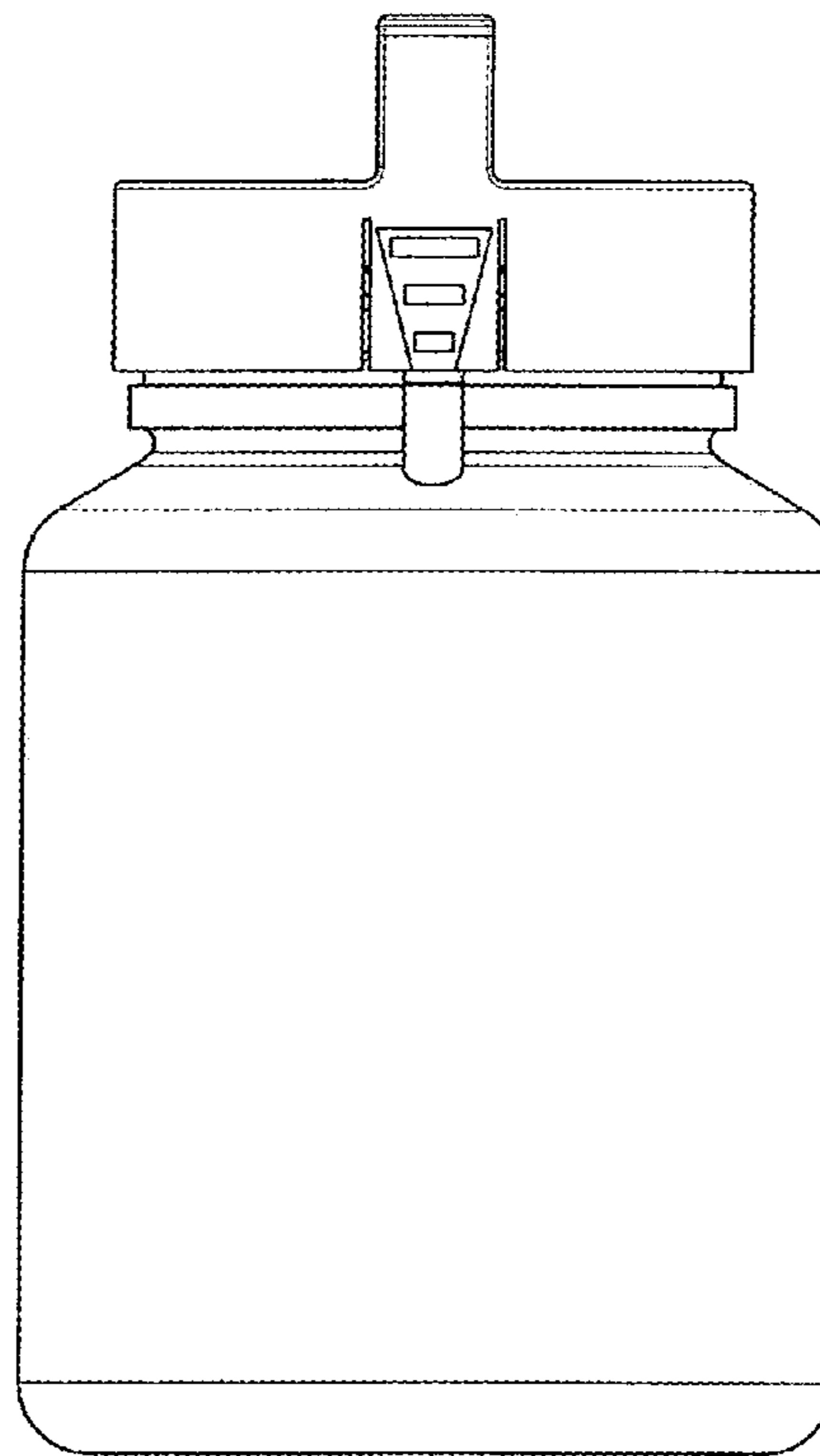


FIG. 4

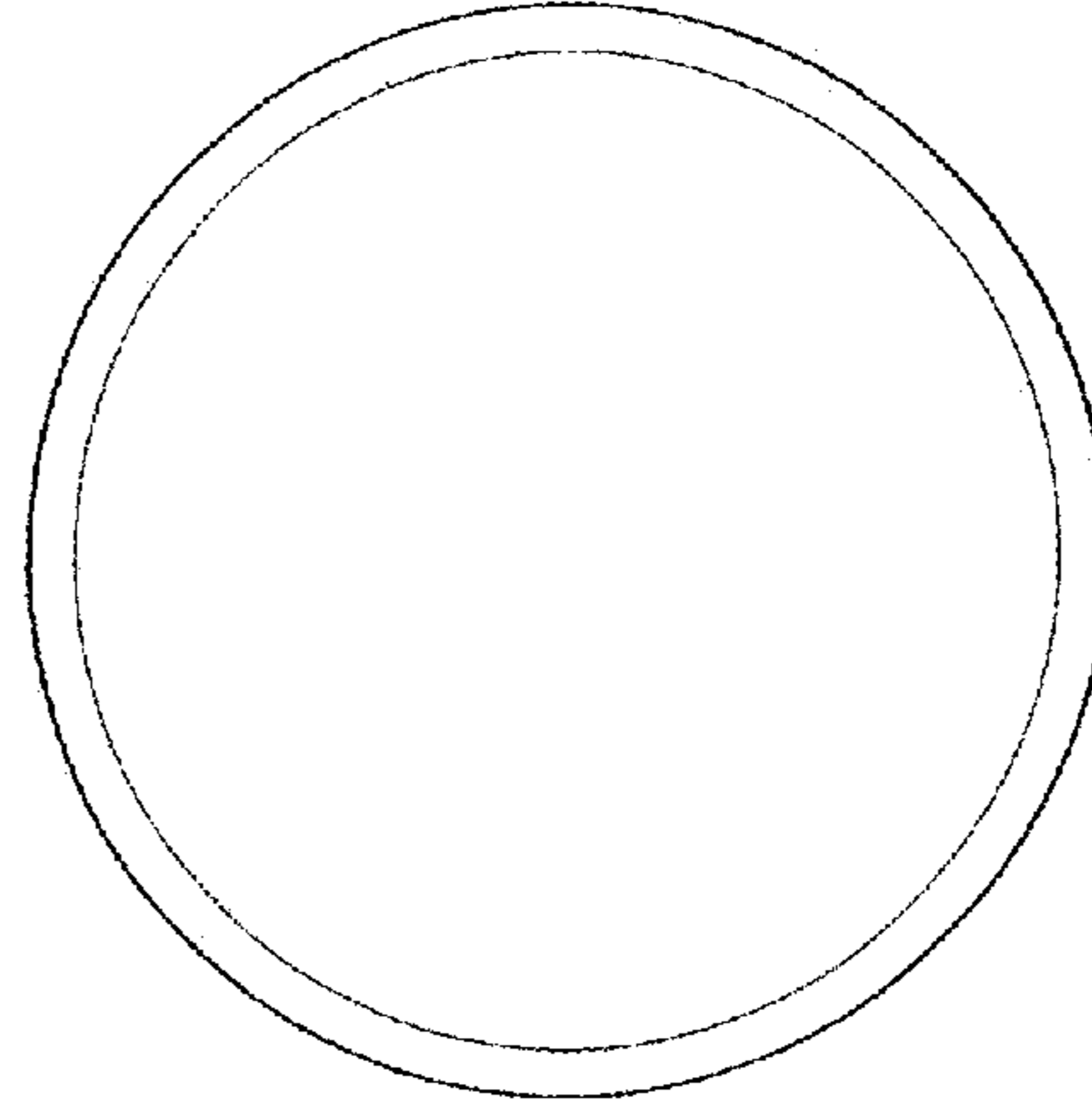


FIG. 5

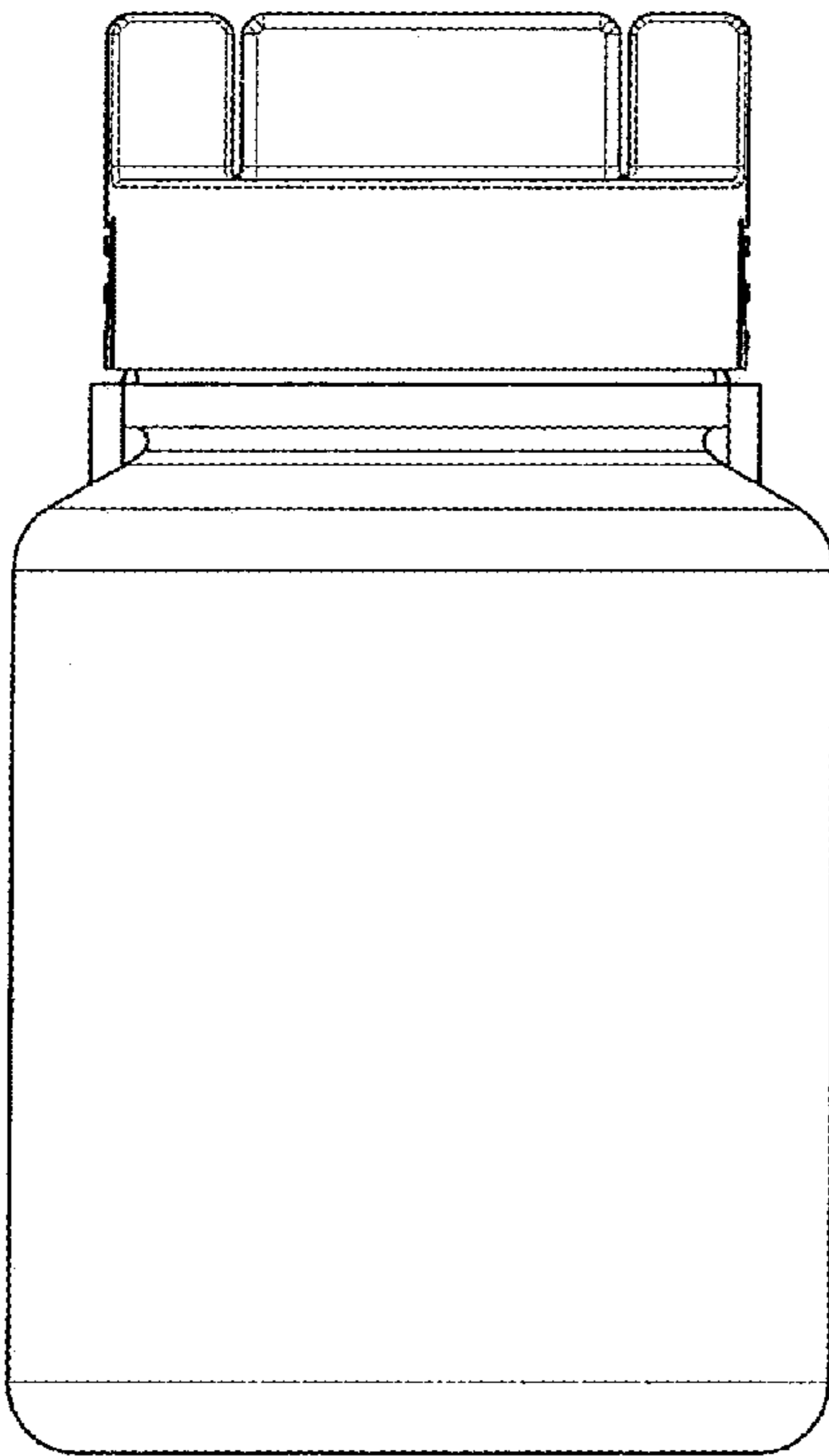


FIG. 6

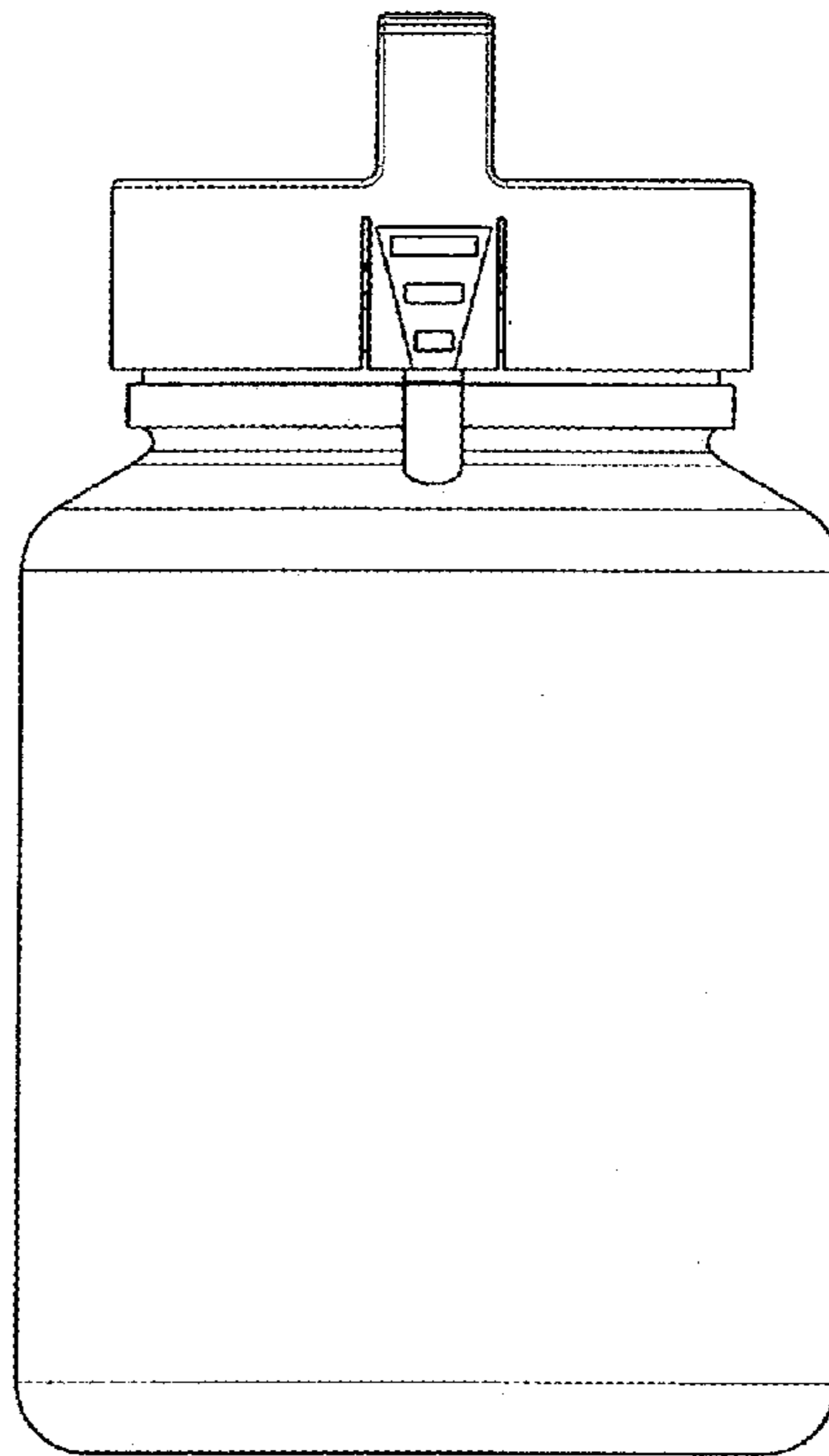


FIG. 7

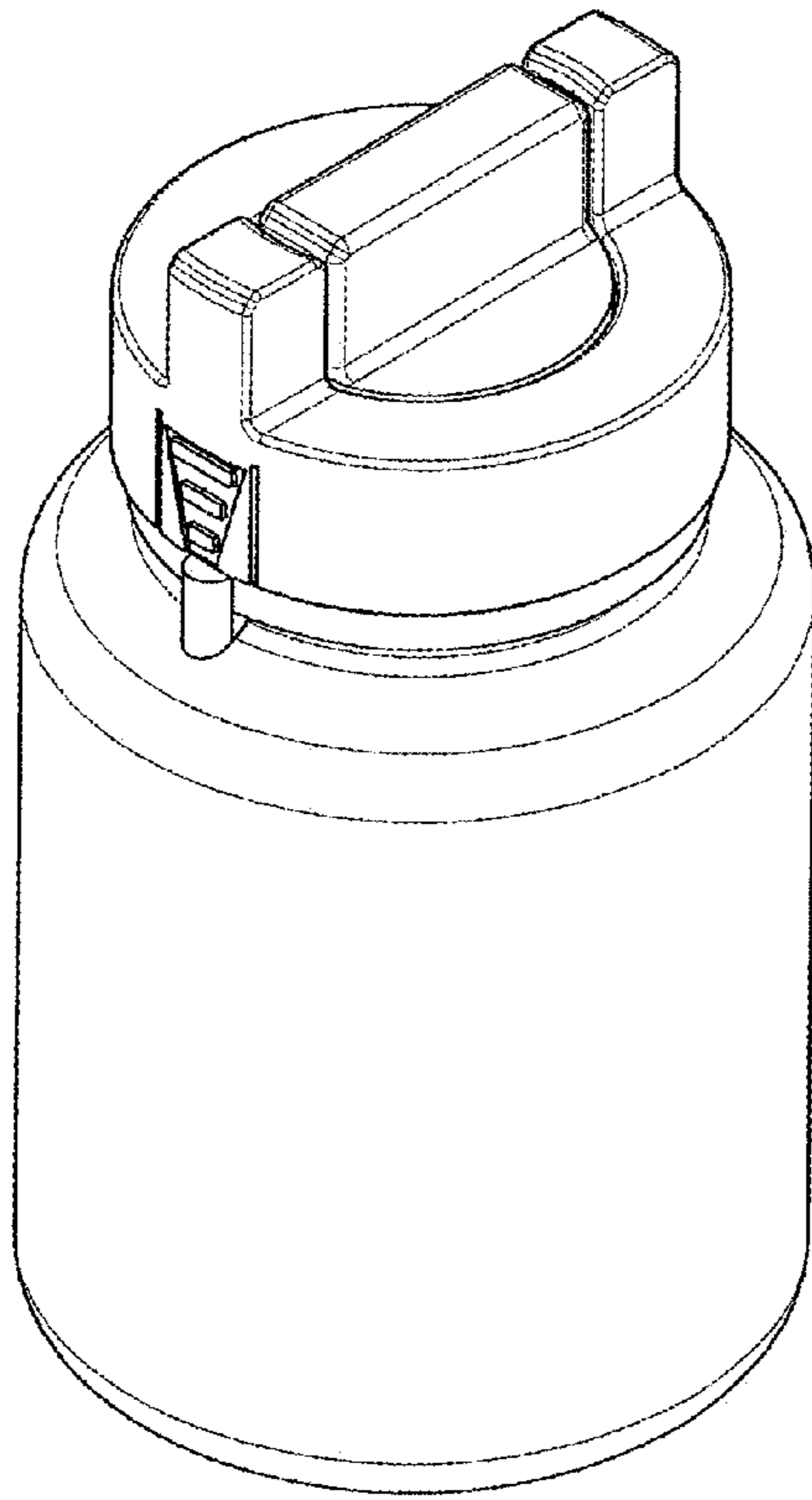


FIG. 8

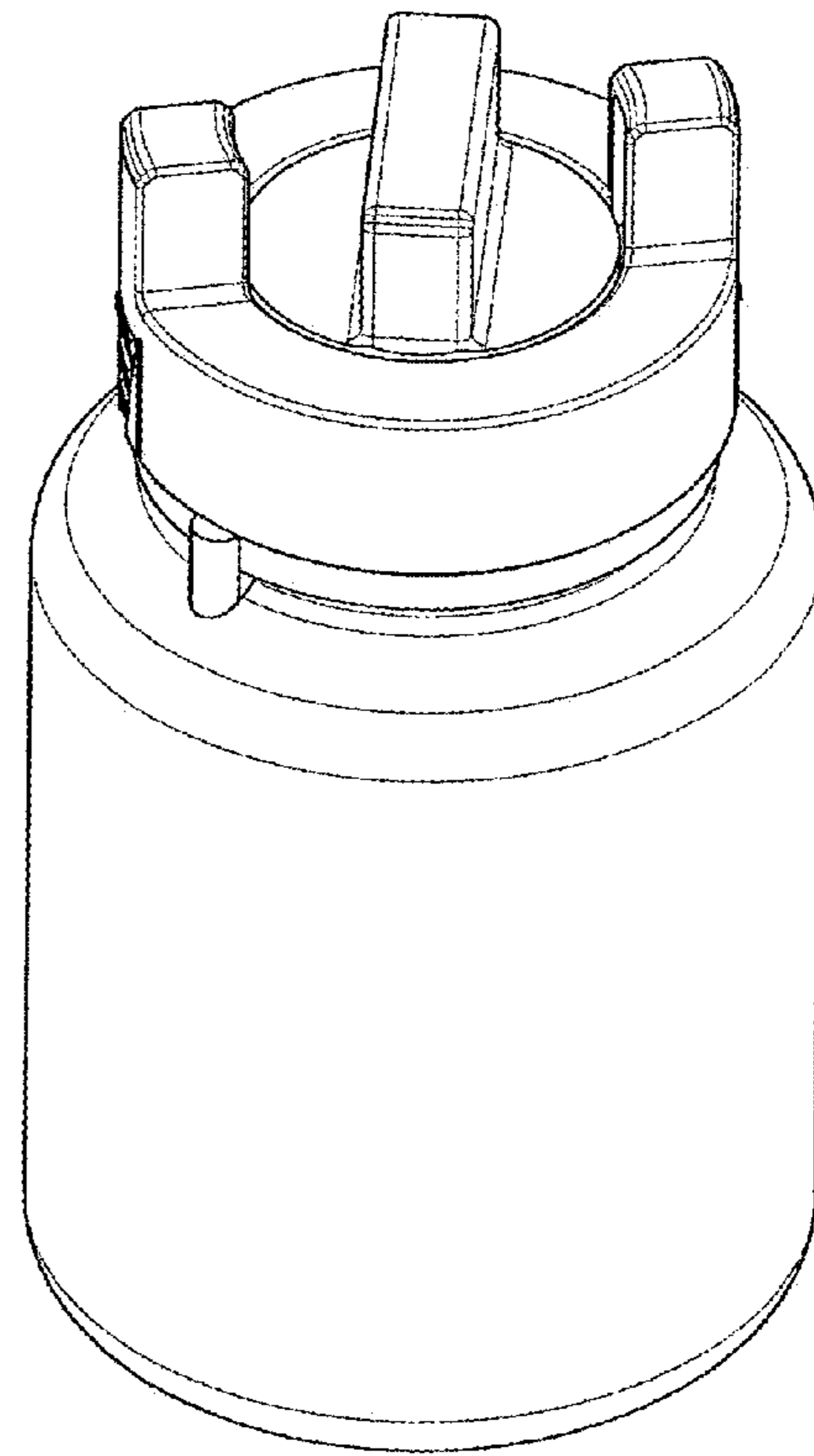


FIG. 9

