



US00D742234S

(12) **United States Design Patent**
Cripe et al.

(10) **Patent No.:** **US D742,234 S**
(45) **Date of Patent:** **** Nov. 3, 2015**

(54) **BOTTLE**

(71) Applicant: **TARGET BRANDS, INC.**,
Minneapolis, MN (US)

(72) Inventors: **Dustin M. Cripe**, Minneapolis, MN
(US); **Shalisha North**, Minneapolis, MN
(US)

(73) Assignee: **Target Brands, Inc.**, Minneapolis, MN
(US)

(**) Term: **14 Years**

(21) Appl. No.: **29/522,850**

(22) Filed: **Apr. 2, 2015**

Related U.S. Application Data

(63) Continuation of application No. 29/449,019, filed on
Mar. 14, 2013, now Pat. No. Des. 738,734.

(51) **LOC (10) Cl.** **09-01**

(52) **U.S. Cl.**
USPC **D9/516; D9/540; D9/550; D9/552;**
D9/556

(58) **Field of Classification Search**

USPC D9/516, 530, 537-543, 549-550, 552,
D9/558, 571, 575, 715, 719; 215/379,
215/381-382; 220/660, 669, 675
CPC B65D 1/00; B65D 1/02; B65D 1/0223;
B65D 23/00; B65D 81/00; B65D 2501/00;
B65D 2501/0009

See application file for complete search history.

(56) **References Cited**

U.S. PATENT DOCUMENTS

D67,464 S 6/1925 Johnson
D69,158 S 12/1925 Root
D94,713 S 2/1935 Steuer
D99,839 S 5/1936 Hires, Jr.
D111,212 S 9/1938 Meyer

D153,600 S 5/1949 Graham
D189,508 S 12/1960 Marder
D201,260 S 6/1965 Roberts
D204,711 S * 5/1966 Plummer D9/539

(Continued)

OTHER PUBLICATIONS

Office Action from Canadian Patent Application No. 2,839,059,
mailed Apr. 16, 2014 (2 pages).

(Continued)

Primary Examiner — Dana L Meyrow

(74) *Attorney, Agent, or Firm* — Griffiths & Seaton PLLC;
JoAnn M. Seaton

(57) **CLAIM**

The ornamental design for a bottle, as shown and described.

DESCRIPTION

FIG. 1 is a front, top perspective view of a bottle showing a
first embodiment of our new design;

FIG. 2 is a front view thereof;

FIG. 3 is a rear view thereof;

FIG. 4 is a right side view thereof, the left side view being a
mirror image of the right side view;

FIG. 5 is a top view thereof; and

FIG. 6 is a bottom view thereof.

FIG. 7 is a front, top perspective view of a bottle showing a
second embodiment of our new design;

FIG. 8 is a front view thereof;

FIG. 9 is a rear view thereof;

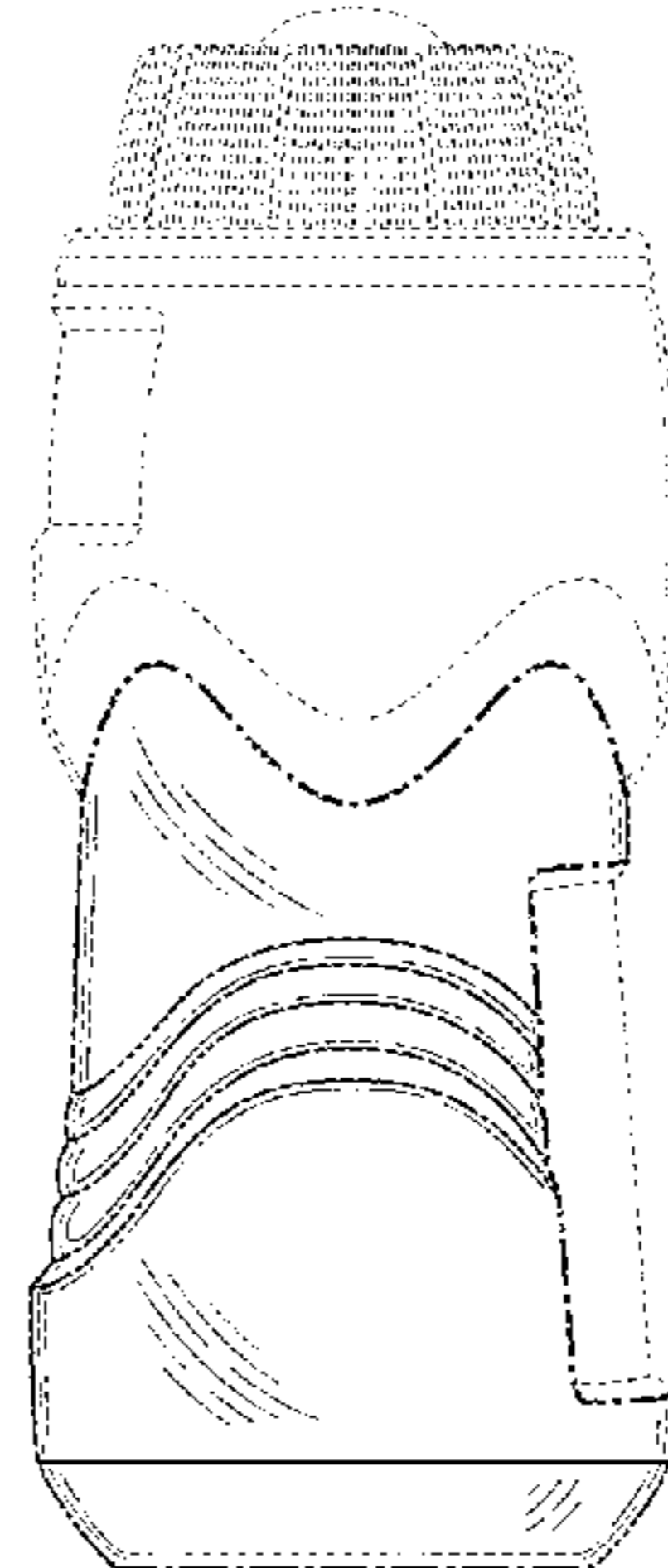
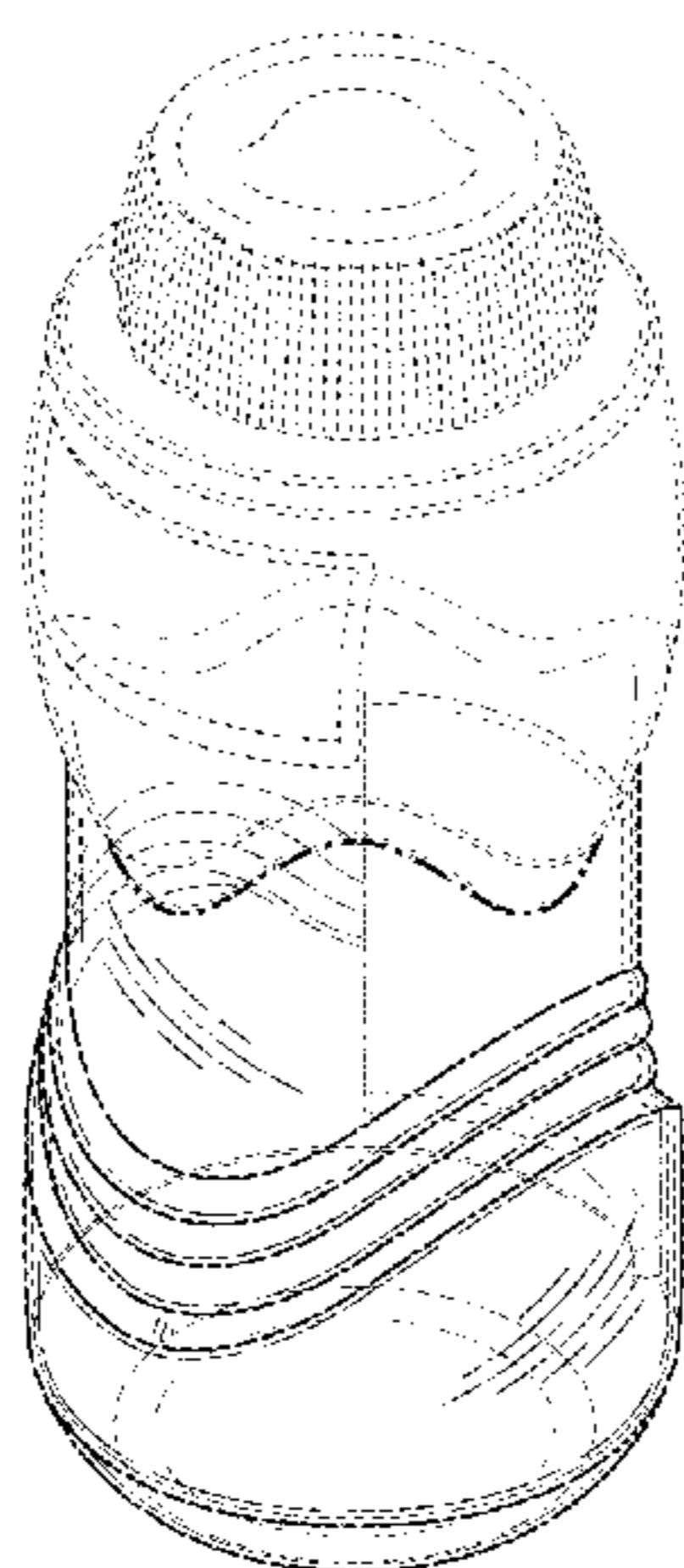
FIG. 10 is a right side view thereof, the left side view being a
mirror image of the right side view;

FIG. 11 is a top view thereof; and,

FIG. 12 is a bottom view thereof.

The evenly-dashed broken lines in the drawings illustrate the
portions of the bottle that form no part of the claim. The
bolded dot-dash broken lines in the drawings define the
bounds of the claim and form no part thereof.

1 Claim, 10 Drawing Sheets



(56)

References Cited

U.S. PATENT DOCUMENTS

D226,175 S 1/1973 Bystedt et al.
 D344,236 S 2/1994 Drounau
 D356,736 S 3/1995 Armstrong
 D404,311 S 1/1999 Zimmer et al.
 D412,849 S 8/1999 Fuquen et al.
 D447,418 S 9/2001 Bezek et al.
 D466,023 S 11/2002 Eickmeier
 D466,415 S 12/2002 Reis
 D472,806 S 4/2003 Bezek et al.
 D472,815 S 4/2003 Zhang et al.
 D510,025 S 9/2005 Venkataraman et al.
 D515,079 S 2/2006 Lodato et al.
 D522,871 S 6/2006 Rowse et al.
 D532,314 S 11/2006 Todd
 D535,886 S 1/2007 Yourist et al.
 7,163,123 B2 1/2007 Bezek
 D550,562 S 9/2007 Yew
 D556,579 S 12/2007 Goto et al.
 D556,591 S 12/2007 Kort et al.
 D559,694 S 1/2008 Le Bras-Brown et al.
 D567,665 S 4/2008 Cheng
 D573,886 S 7/2008 Liu et al.
 D582,782 S 12/2008 Toson
 D588,921 S 3/2009 Williams
 D603,709 S 11/2009 Lepoitevin

D624,361 S * 9/2010 Roth D7/509
 D635,861 S 4/2011 Caldwell
 D653,957 S 2/2012 Yourist et al.
 D655,179 S 3/2012 Kraft et al.
 D655,180 S 3/2012 Kraft et al.
 D655,181 S 3/2012 Kraft et al.
 D655,182 S 3/2012 Kraft et al.
 D659,545 S 5/2012 Yourist et al.
 D663,625 S 7/2012 Warneke et al.
 D665,671 S 8/2012 Loetz et al.
 D668,958 S 10/2012 George et al.
 D674,100 S 1/2013 Smith
 D674,101 S 1/2013 Smith
 D674,102 S 1/2013 Smith
 D674,497 S 1/2013 Smith
 D683,037 S * 5/2013 Questad D24/197
 D728,374 S * 5/2015 Doerr D9/550
 D731,324 S * 6/2015 Li D9/552
 D735,043 S * 7/2015 Herbst D9/539
 D738,734 S * 9/2015 Cripe D9/538
 2014/0273709 A1 9/2014 Cripe

OTHER PUBLICATIONS

Office Action from Canadian Patent Application No. 153,957, mailed
 Apr. 23, 2014 (1 page).

* cited by examiner

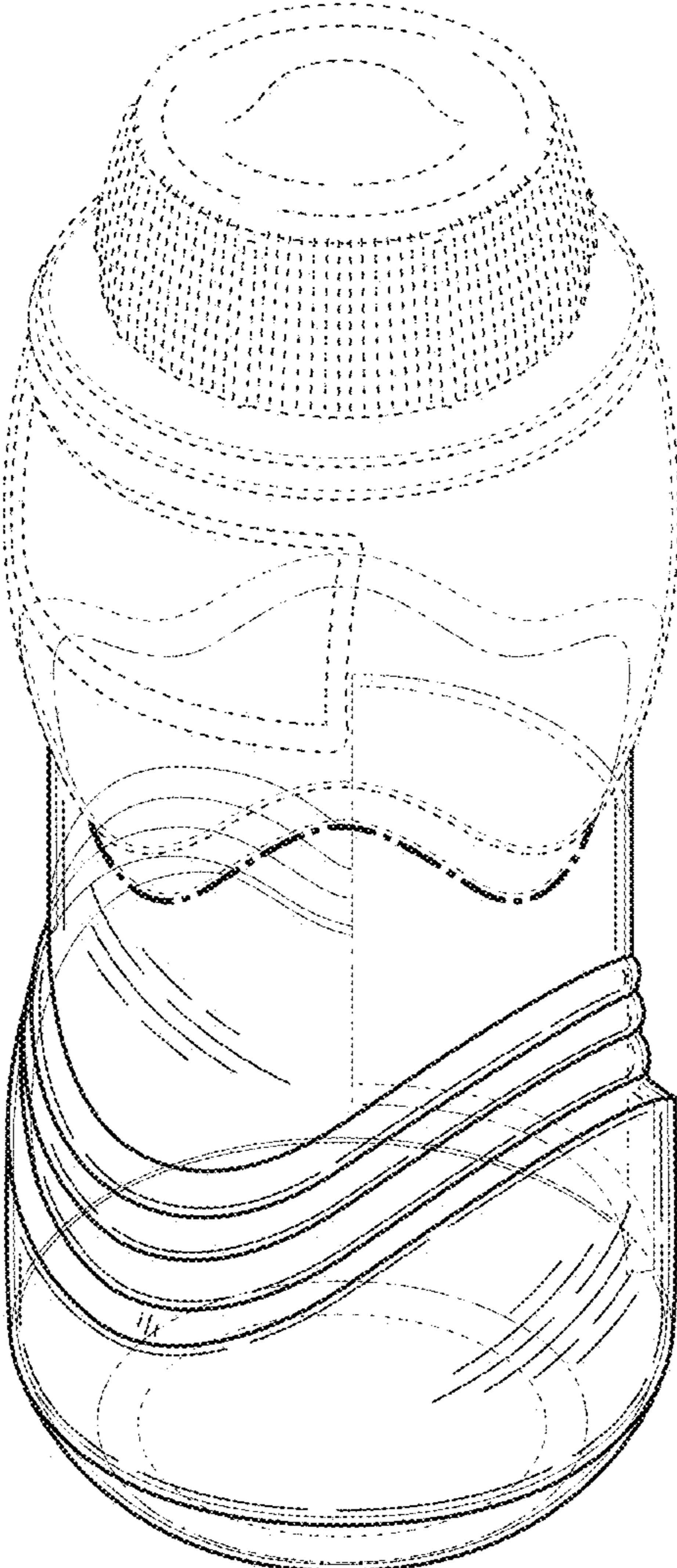


FIG. 1

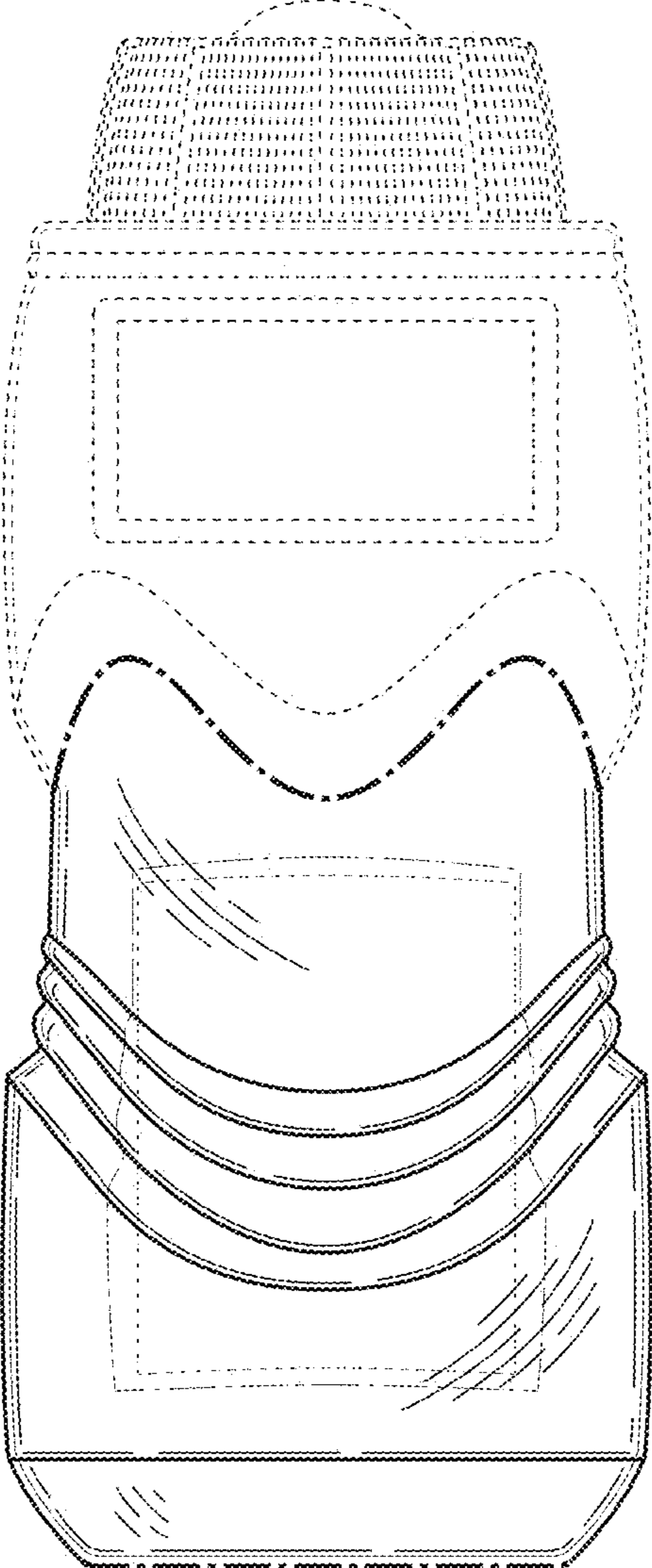


FIG. 2

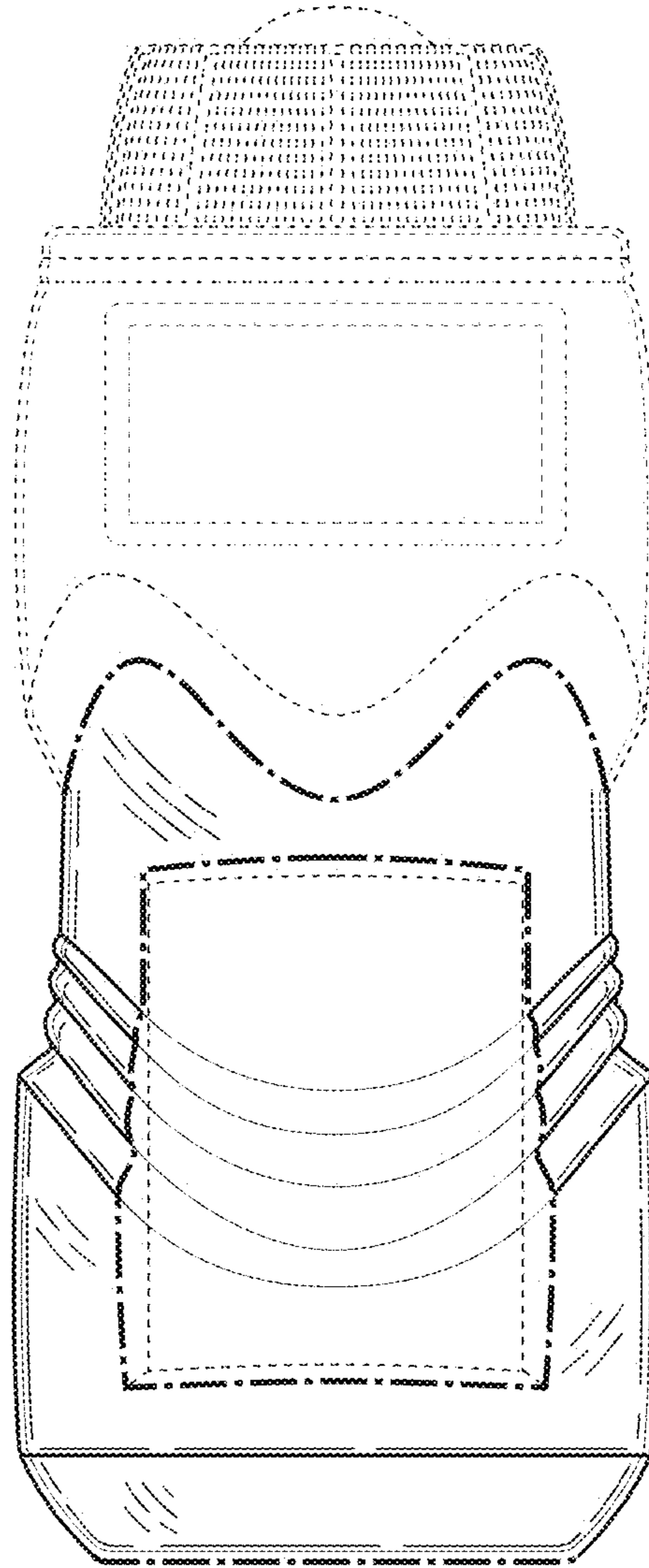


FIG. 3

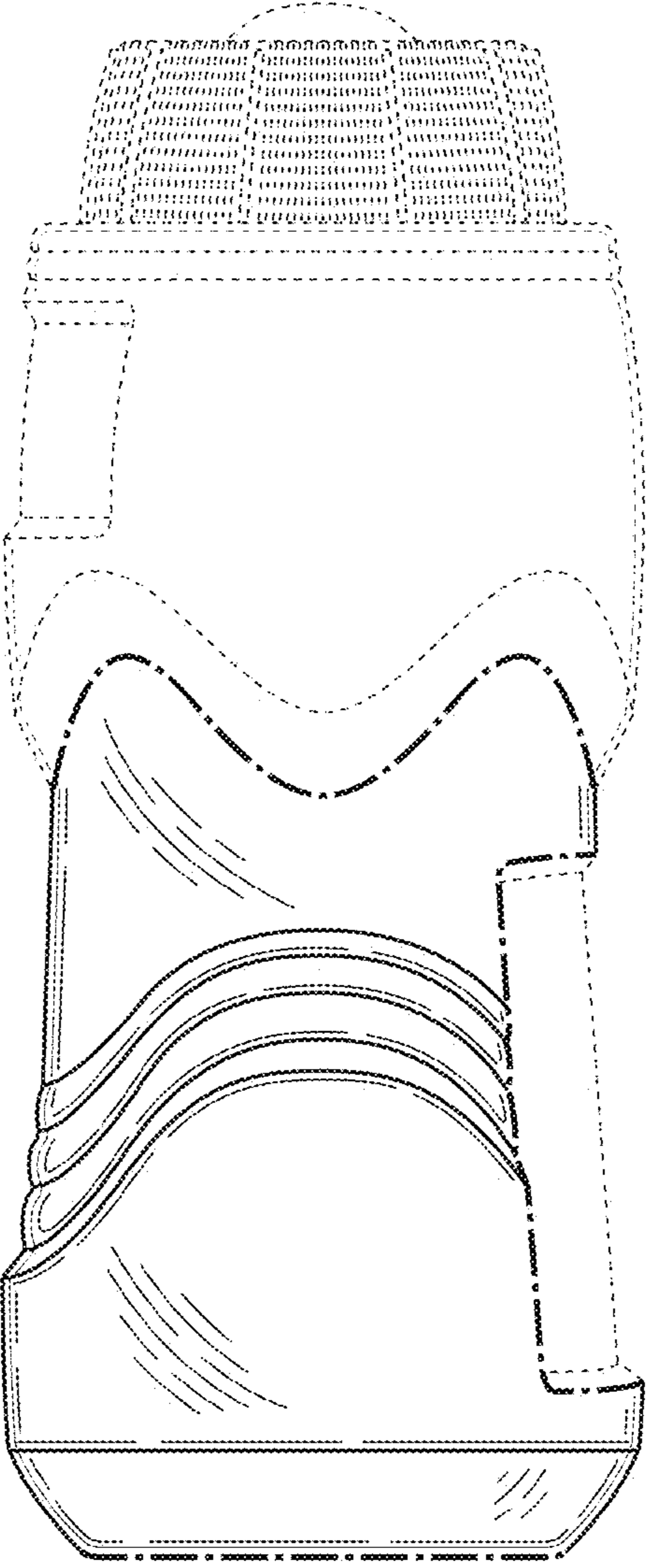


FIG. 4

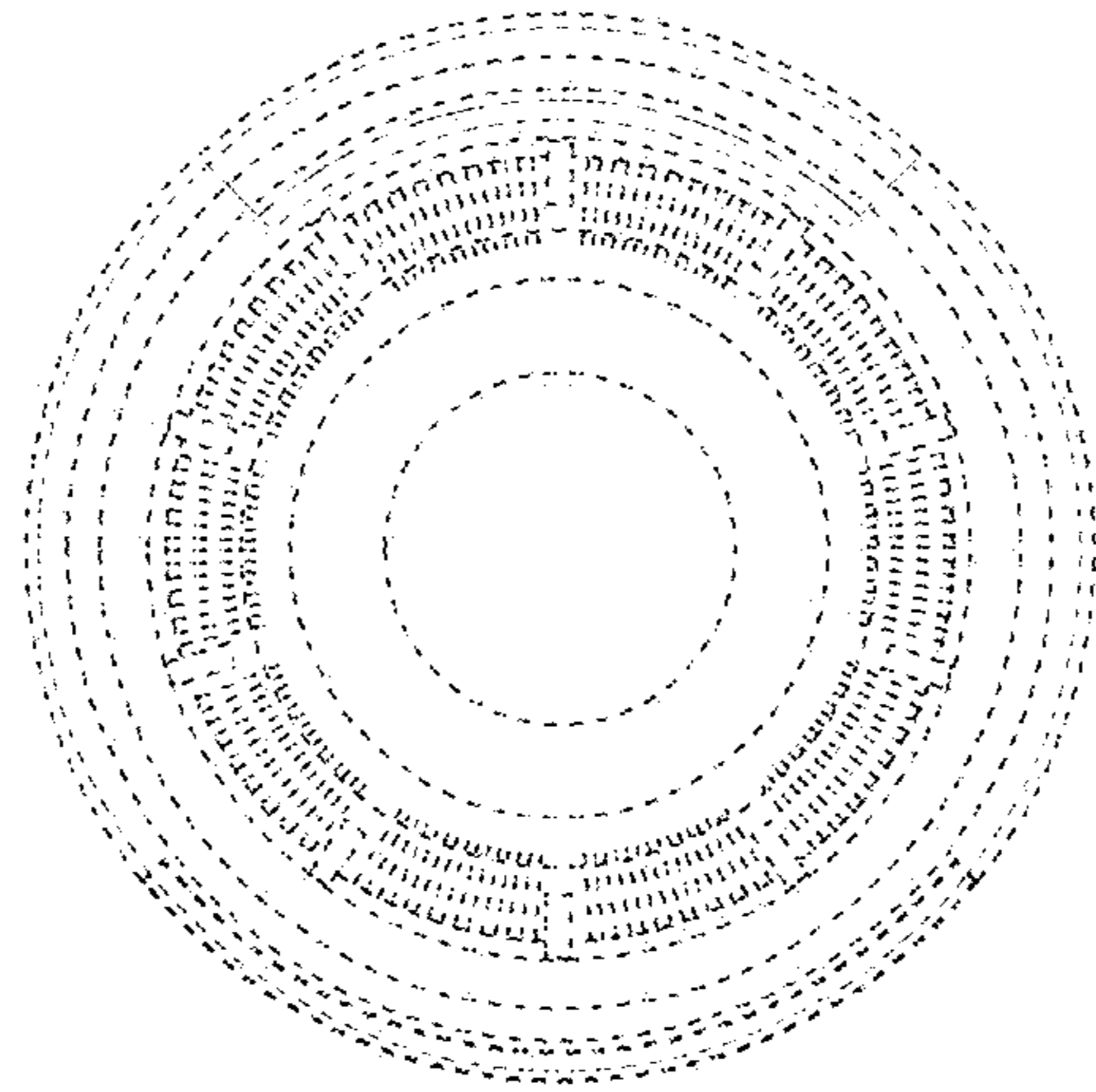


FIG. 5

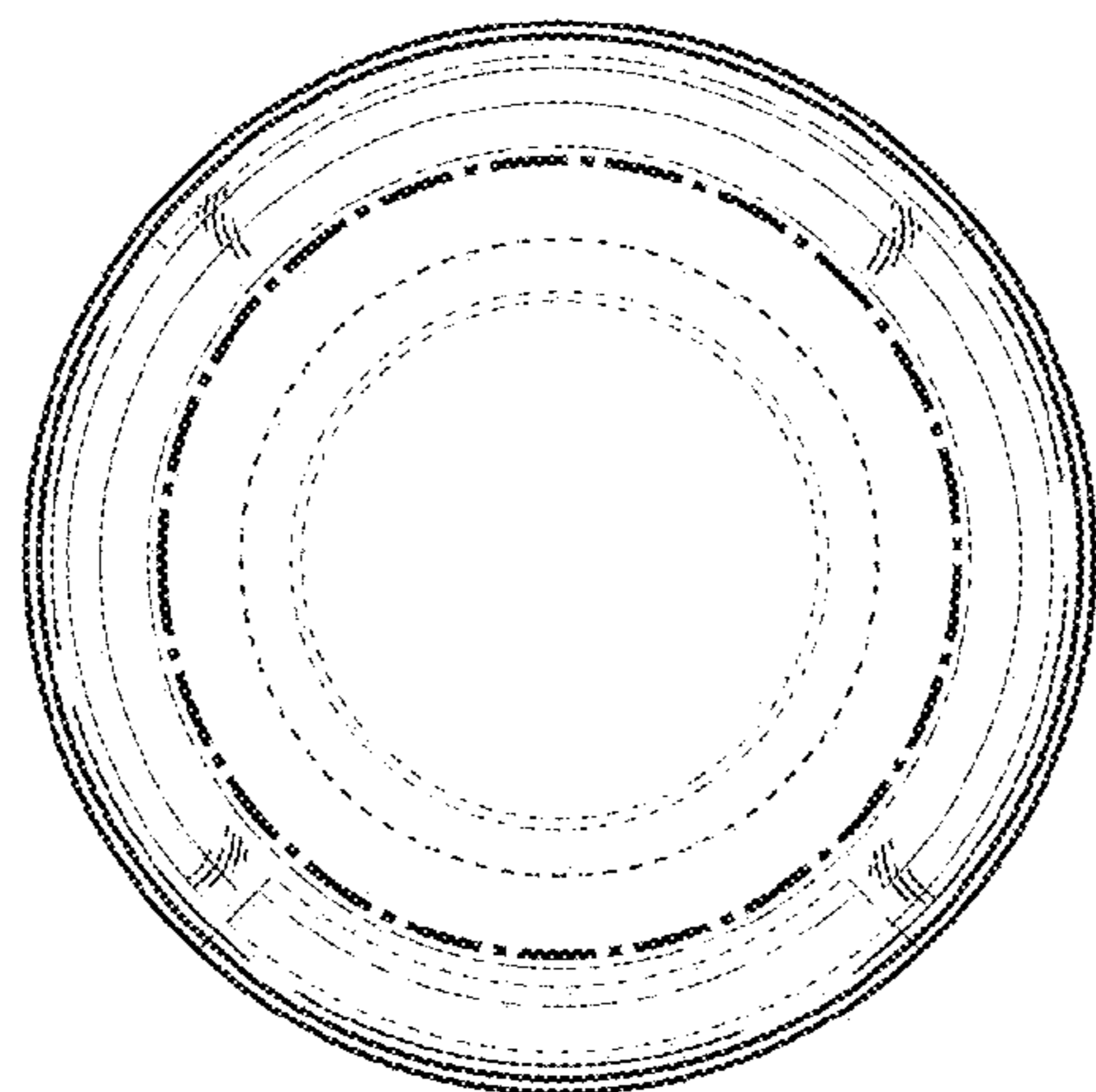


FIG. 6

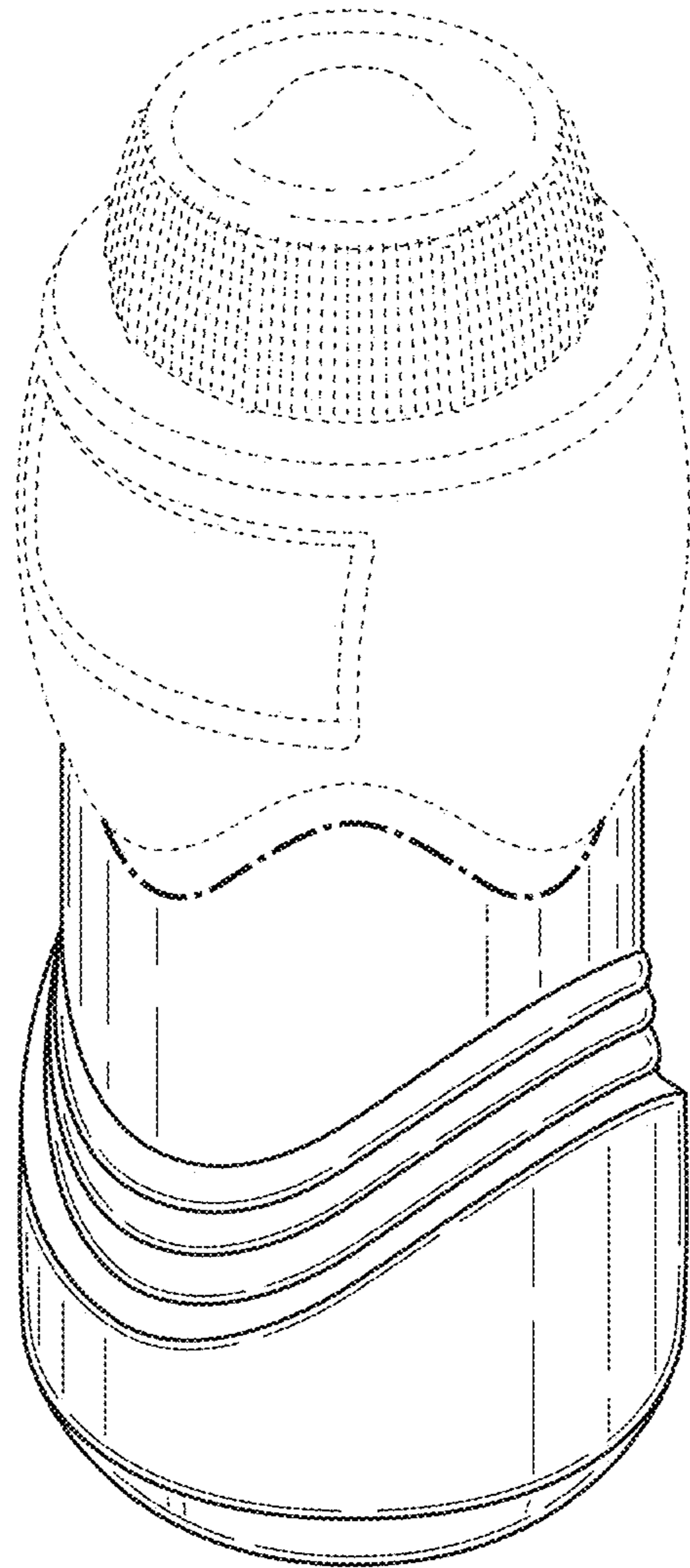


FIG. 7

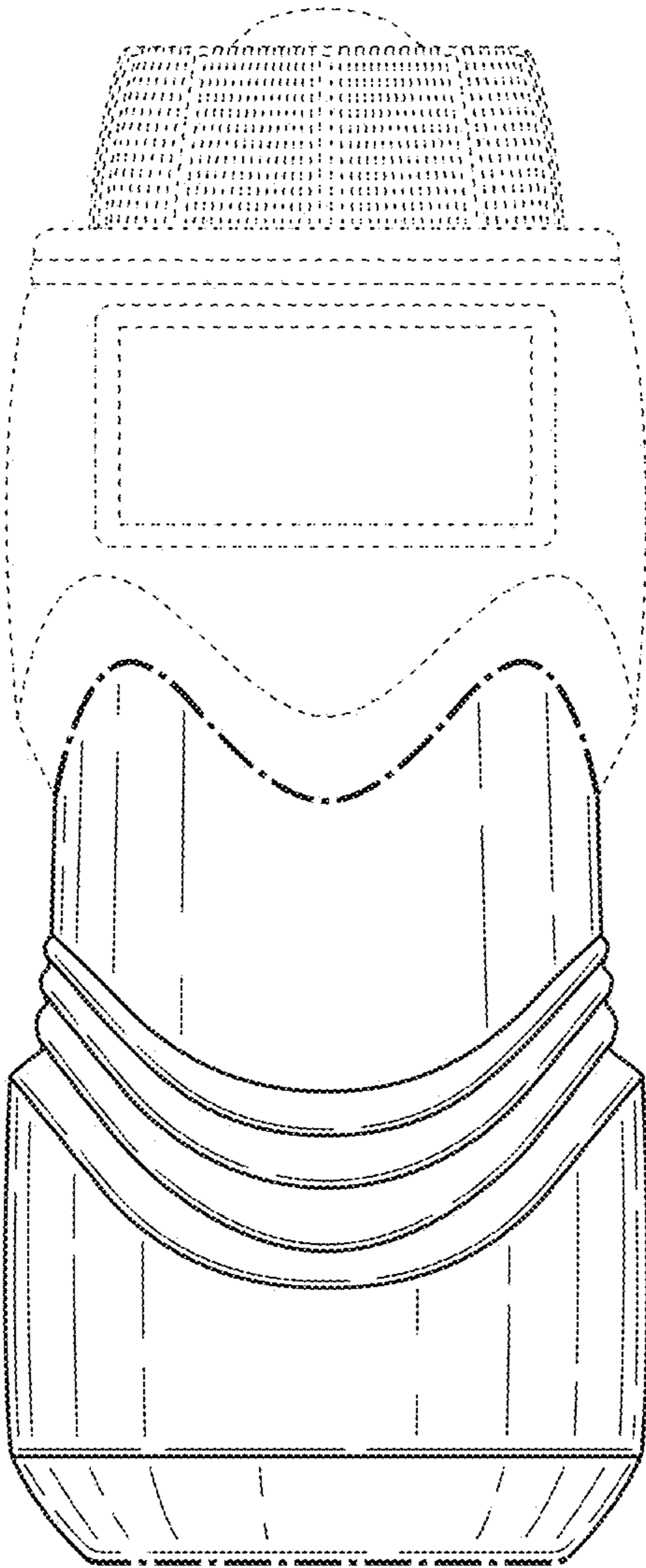


FIG. 8

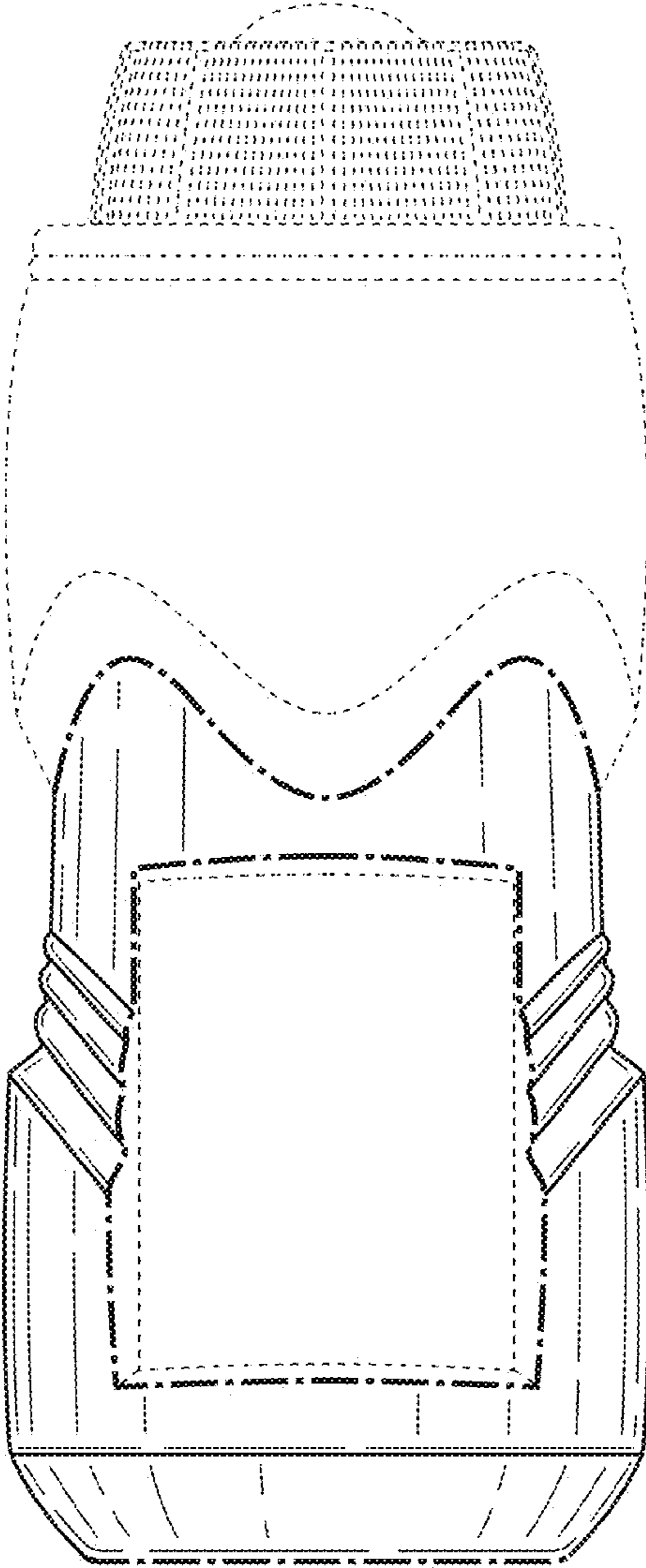


FIG. 9

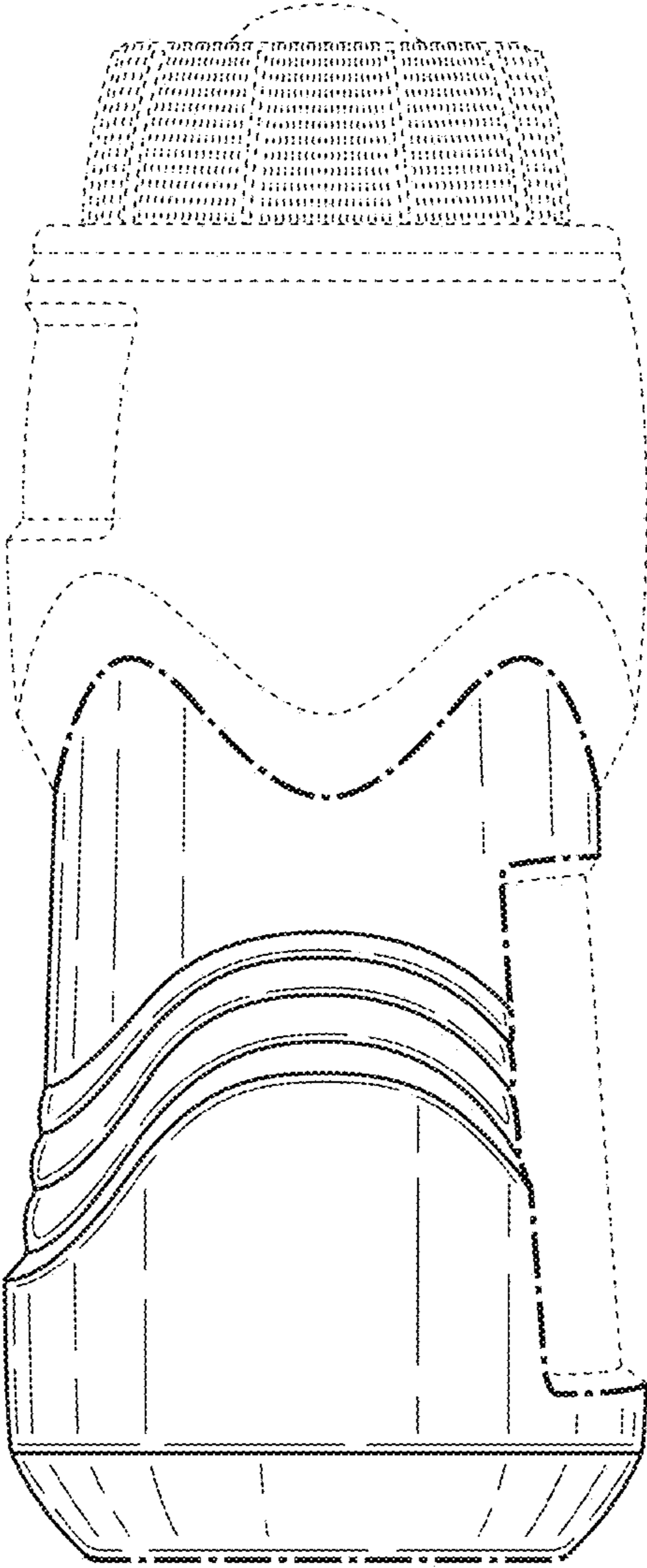


FIG. 10

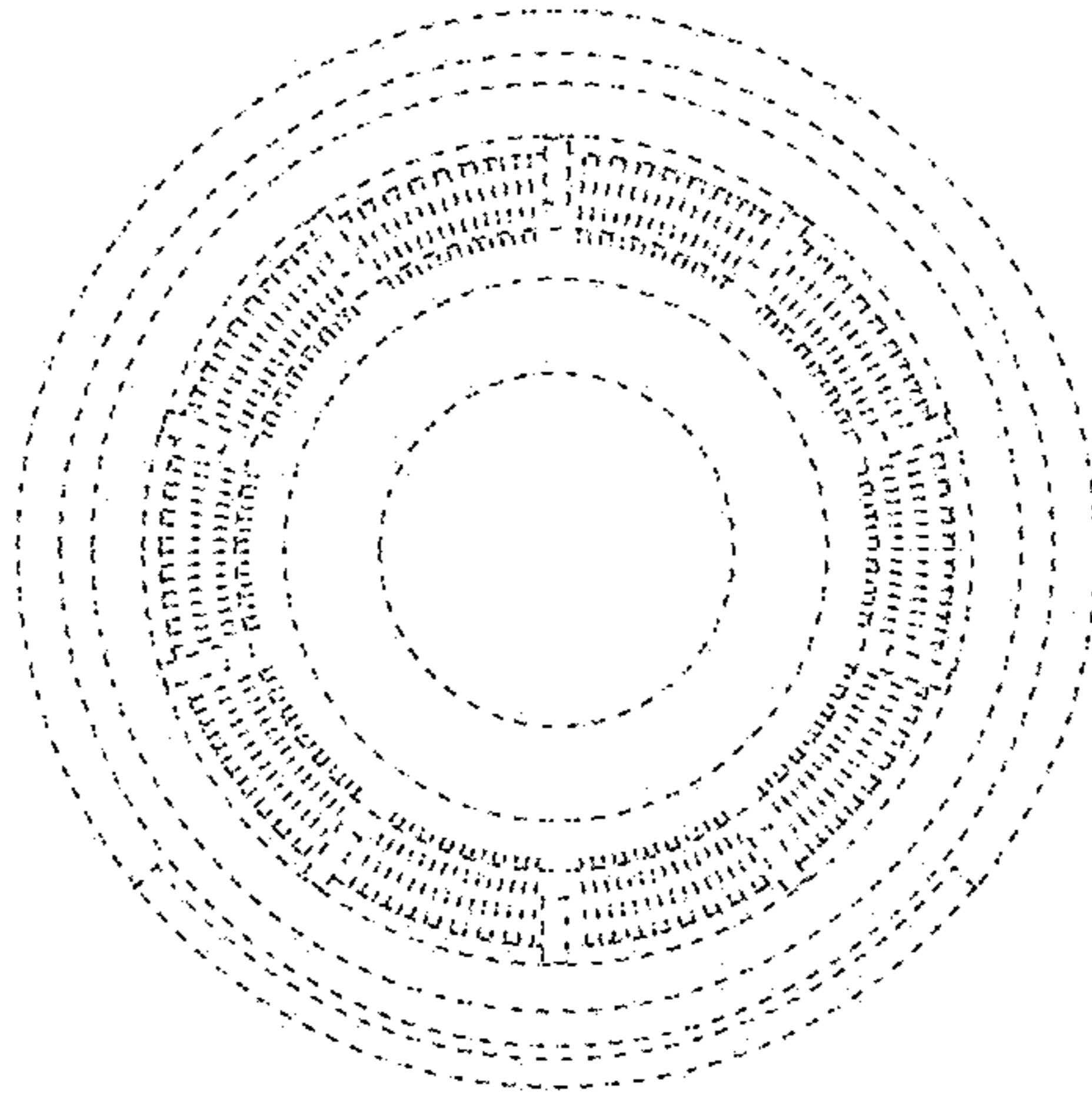


FIG. 11

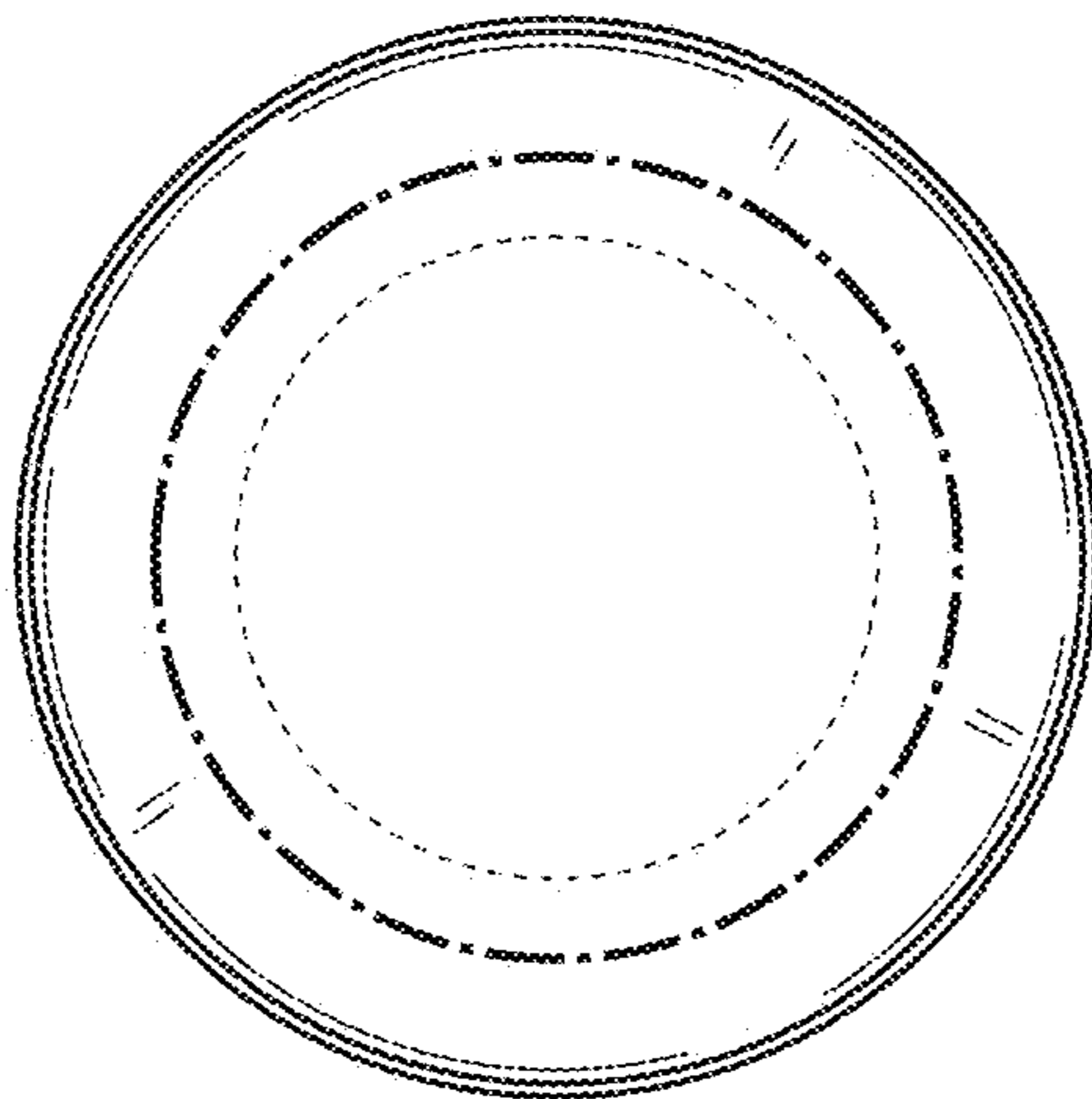


FIG. 12