



US00D742230S

(12) **United States Design Patent**
Charles

(10) **Patent No.:** **US D742,230 S**
(45) **Date of Patent:** **** Nov. 3, 2015**

- (54) **SPORTS BOTTLE CARABINER LID**
- (71) Applicant: **Susan Irene Charles**, Camp Hill, PA (US)
- (72) Inventor: **Susan Irene Charles**, Camp Hill, PA (US)
- (73) Assignee: **310 Nutrition, LLC**, Manhattan Beach, CA (US)
- (**) Term: **14 Years**
- (21) Appl. No.: **29/525,305**
- (22) Filed: **Apr. 28, 2015**
- (51) **LOC (10) Cl.** **09-07**
- (52) **U.S. Cl.**
USPC **D9/449; D7/396.2**
- (58) **Field of Classification Search**
USPC D9/434, 435, 436, 440, 447, 449, 454, D9/499; D7/392.1, 396.2; 206/501; 220/254
CPC B65D 21/0228; B65D 45/025; B65D 47/0895; B65D 51/04
See application file for complete search history.

(56) **References Cited**

U.S. PATENT DOCUMENTS

5,722,537 A	3/1998	Sigler	
D489,256 S *	5/2004	Kelleghan	D9/434
D491,465 S *	6/2004	Kelleghan	D9/434
D644,065 S *	8/2011	Llerena	D7/510
D646,919 S *	10/2011	Nilsson	D7/300.1
8,136,693 B2	3/2012	Thatcher	
8,215,511 B1	7/2012	Lin	
8,408,414 B2	4/2013	Roth	

D696,551 S *	12/2013	Meyers et al.	D7/392.1
8,695,830 B2	4/2014	Meyers et al.	
8,833,586 B2 *	9/2014	Meyers et al.	220/254.3
8,844,746 B2 *	9/2014	Meyers et al.	220/264
D723,328 S *	3/2015	Steel	D7/396.2
D730,694 S *	6/2015	Elsaden et al.	D7/511
2004/0250386 A1	12/2004	Goldberg	
2008/0078787 A1	4/2008	Yelland	
2010/0282703 A1	11/2010	Yang	
2014/0360908 A1	12/2014	Sorensen	
2015/0069095 A1	3/2015	Roth	

* cited by examiner

Primary Examiner — Robert M Spear

(74) *Attorney, Agent, or Firm* — QuickPatents; Kevin Prince

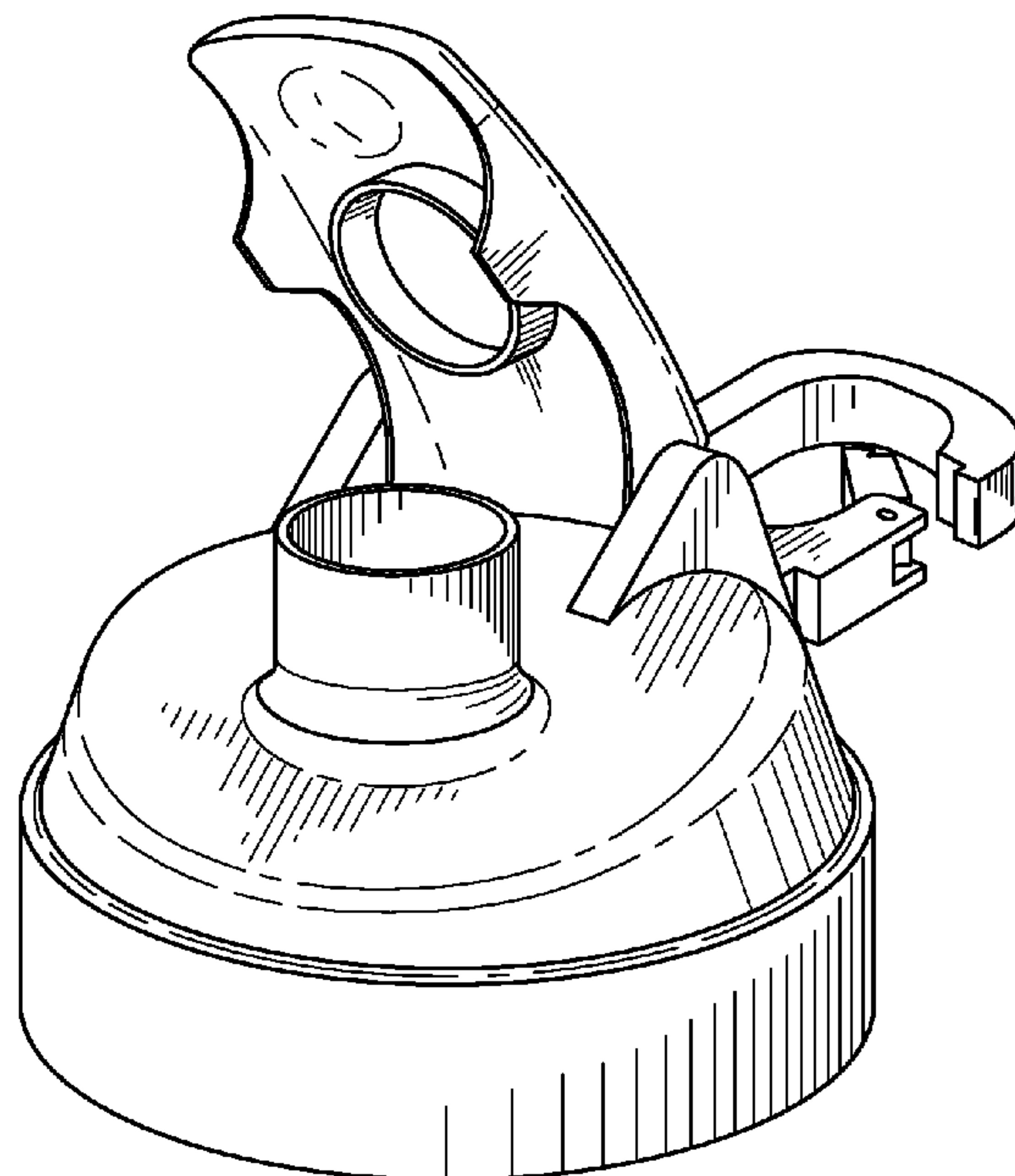
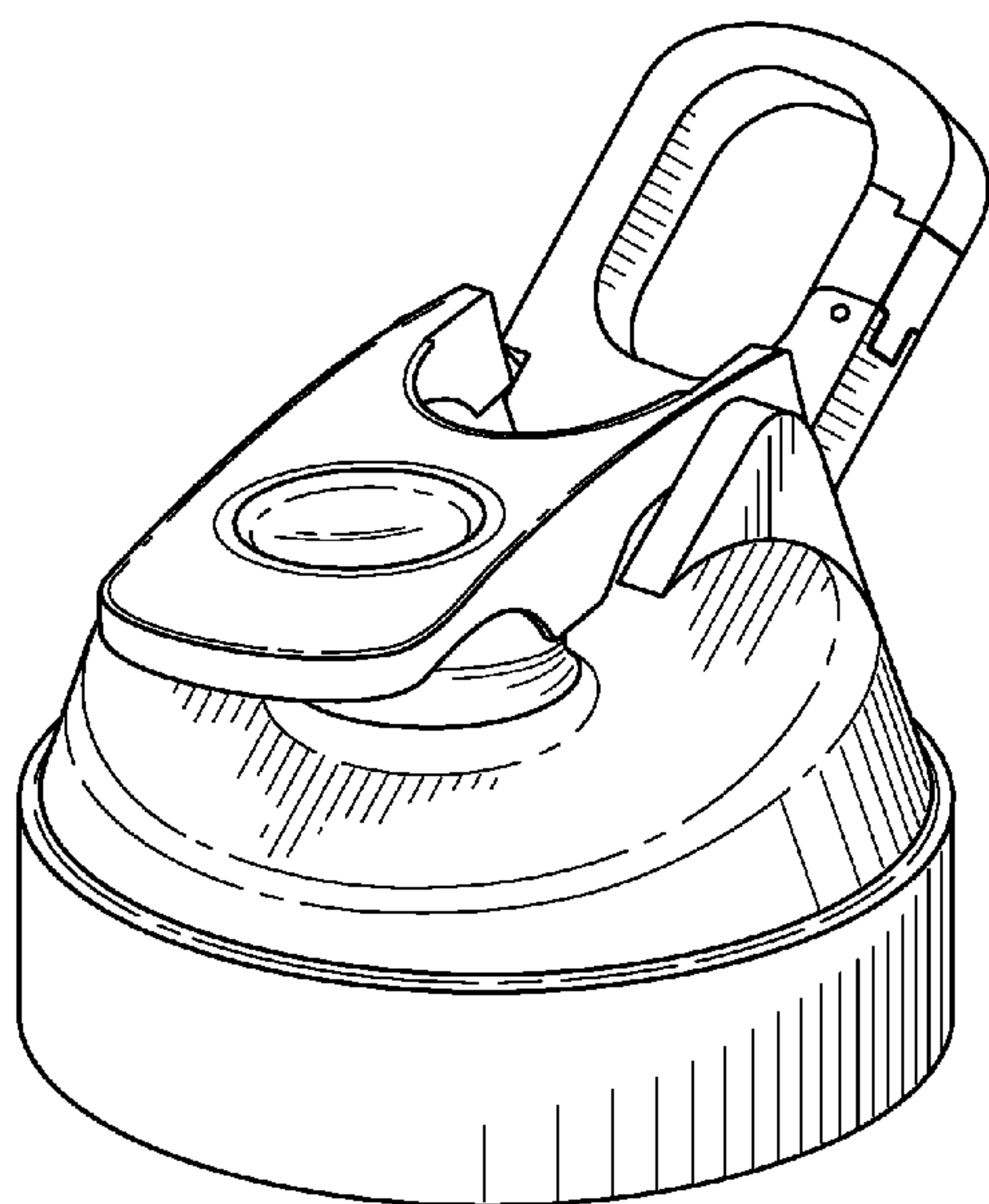
(57) **CLAIM**

I claim the ornamental design for a sports bottle carabiner lid, as shown and described.

DESCRIPTION

FIG. 1 is a perspective view of a sports bottle carabiner lid, showing my new design with a lid cover and carabiner each in a closed position;
 FIG. 2 is a perspective view thereof, illustrated with the lid cover and the carabiner each in an open position;
 FIG. 3 is a front elevational view of FIG. 1;
 FIG. 4 is a rear elevational view of FIG. 1;
 FIG. 5 is a right-side elevational view of FIG. 1;
 FIG. 6 is a left-side elevational view of FIG. 1;
 FIG. 7 is a top plan view of FIG. 1;
 FIG. 8 is a bottom plan view of FIG. 1; and,
 FIG. 9 is a right-side elevational view of FIG. 2.
 The broken lines in FIG. 8 of the bottom of the lid form no part of the claimed design.

1 Claim, 4 Drawing Sheets



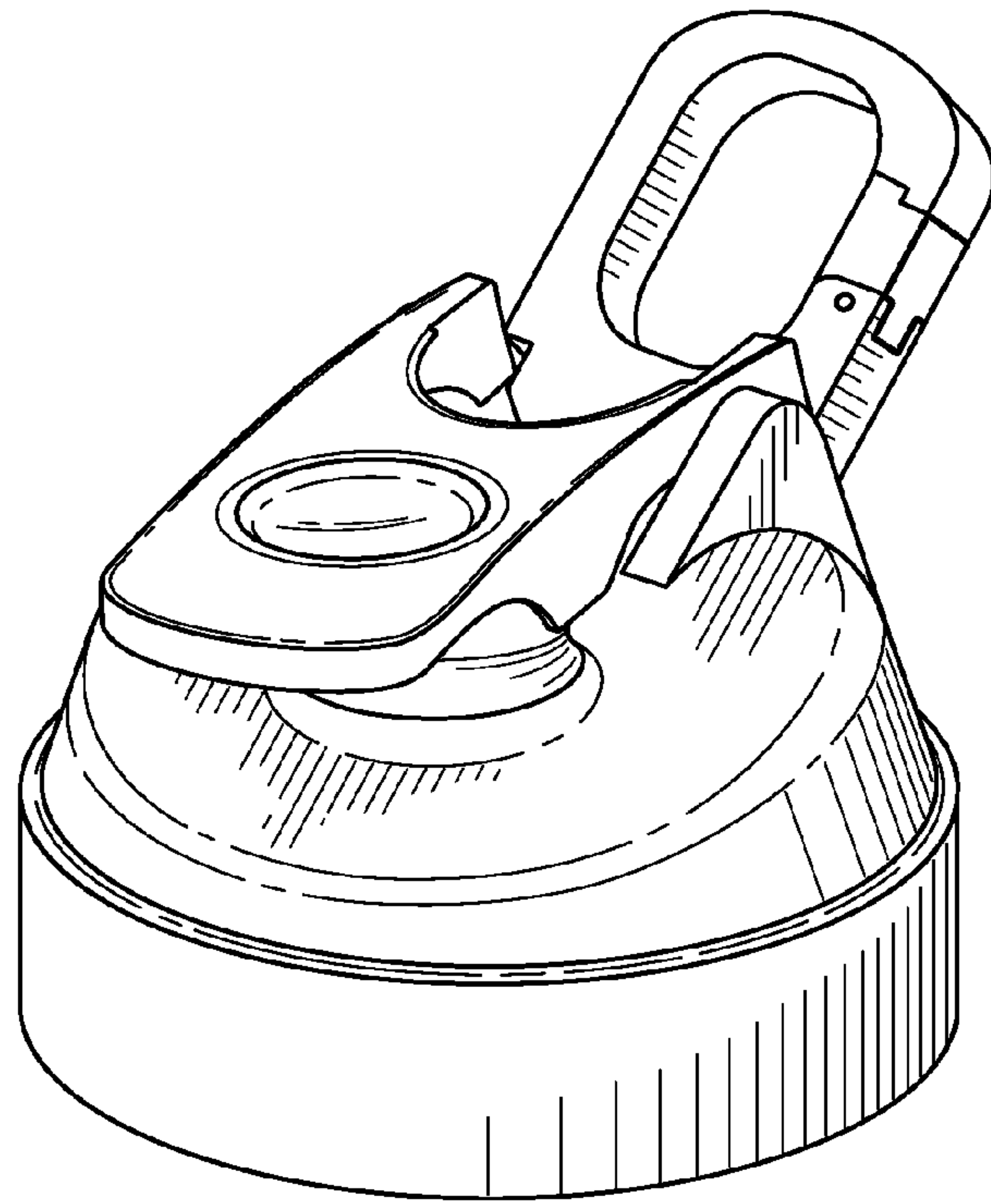


FIG. 1

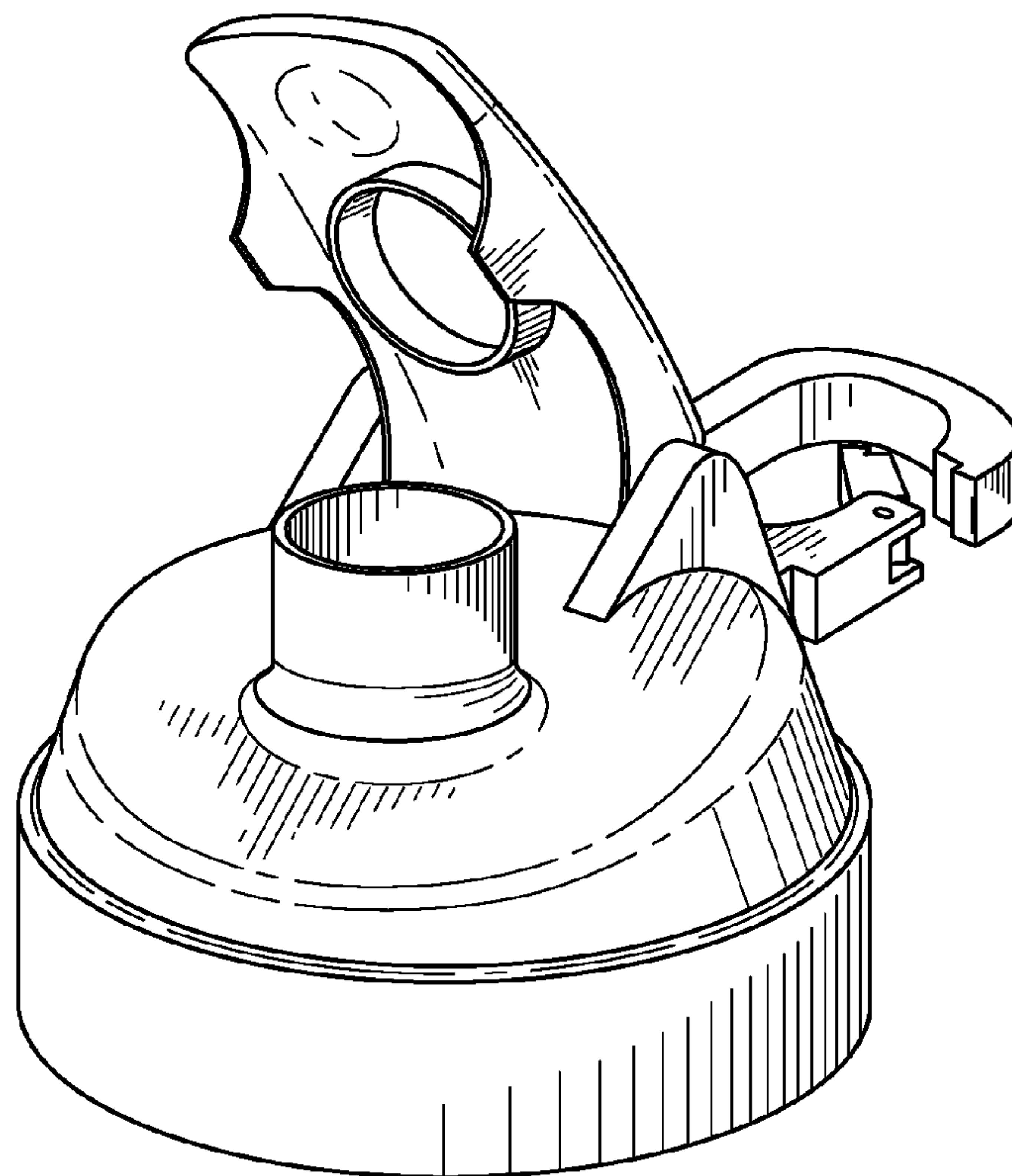


FIG. 2

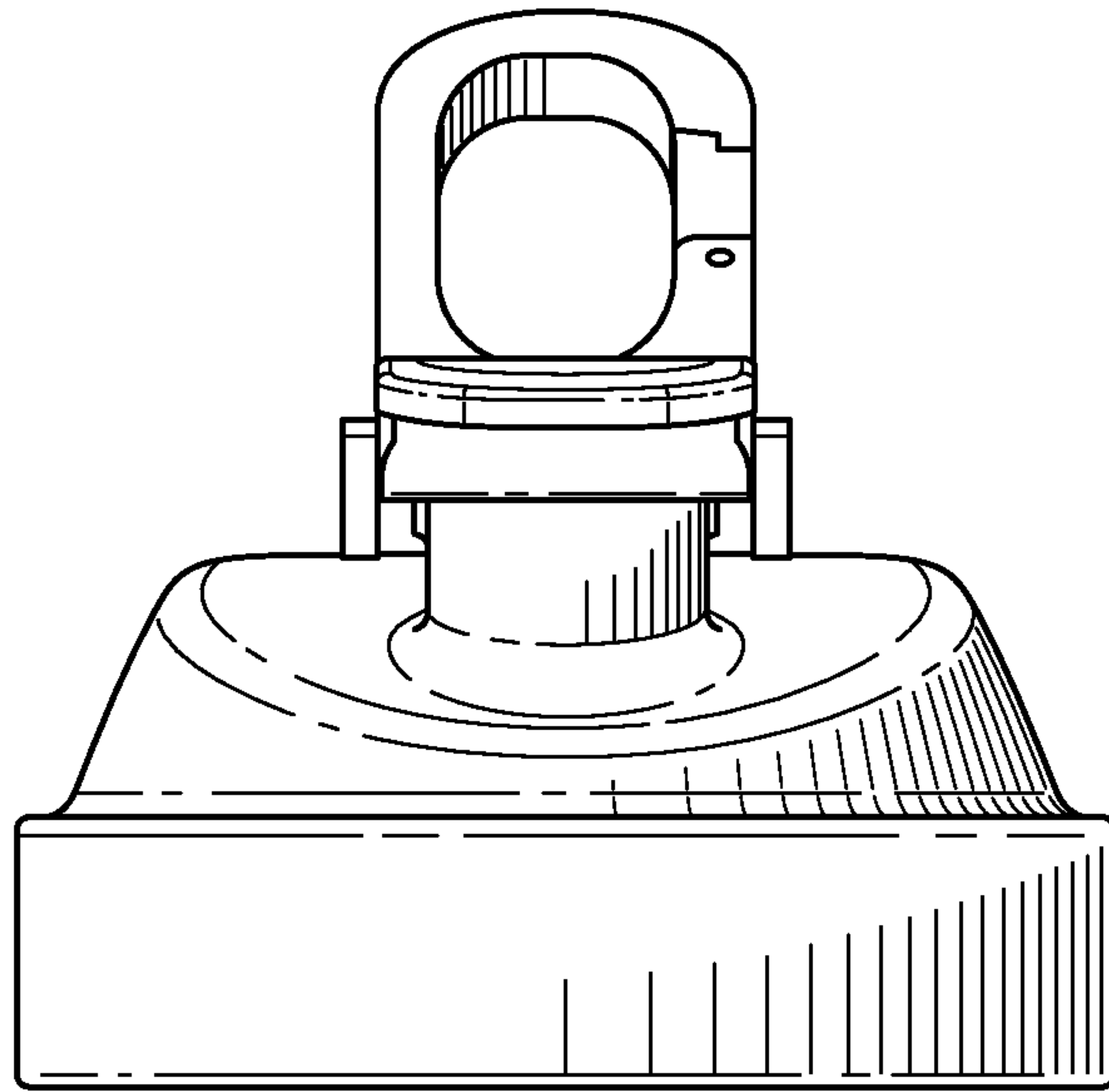


FIG. 3

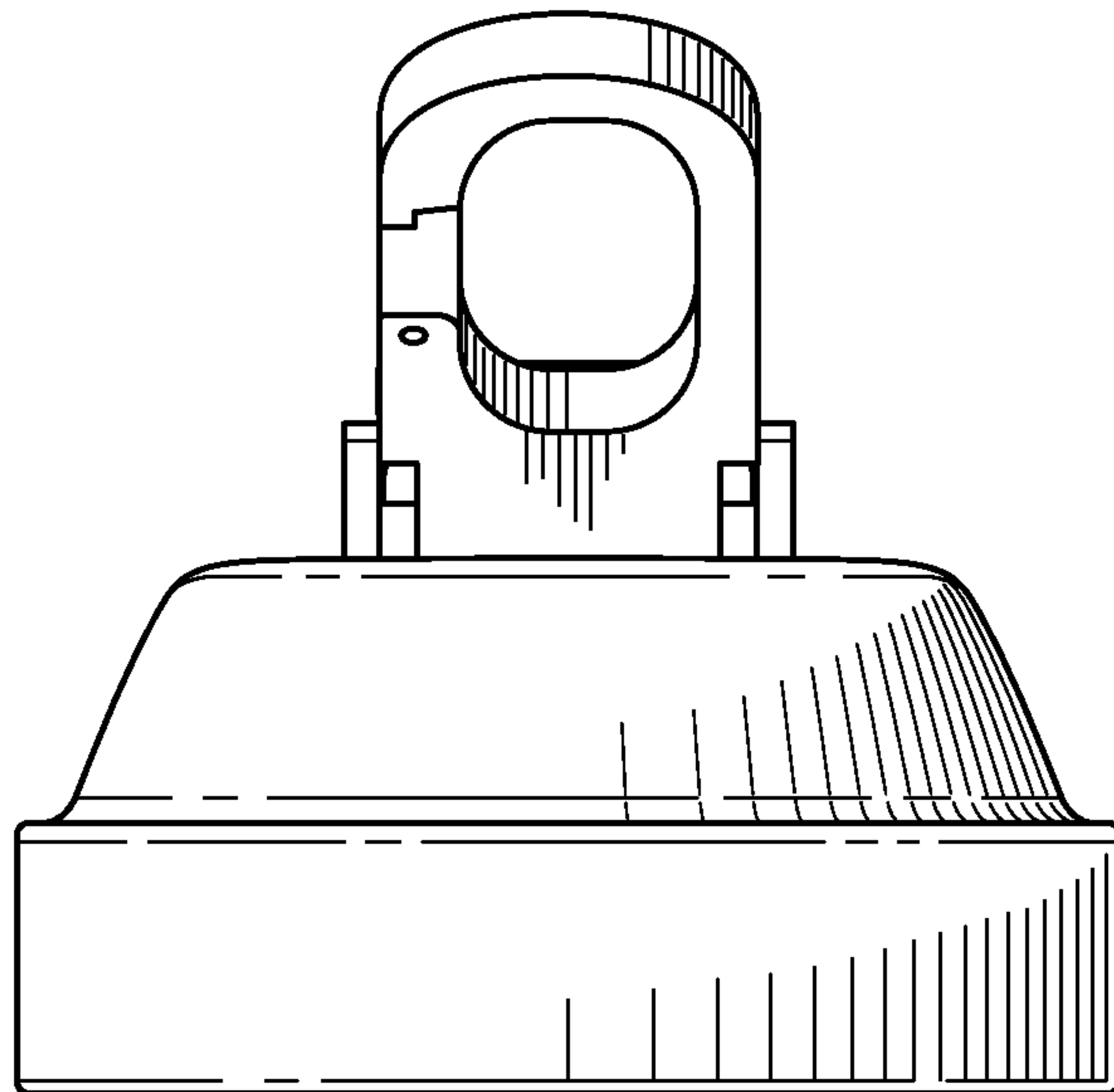


FIG. 4

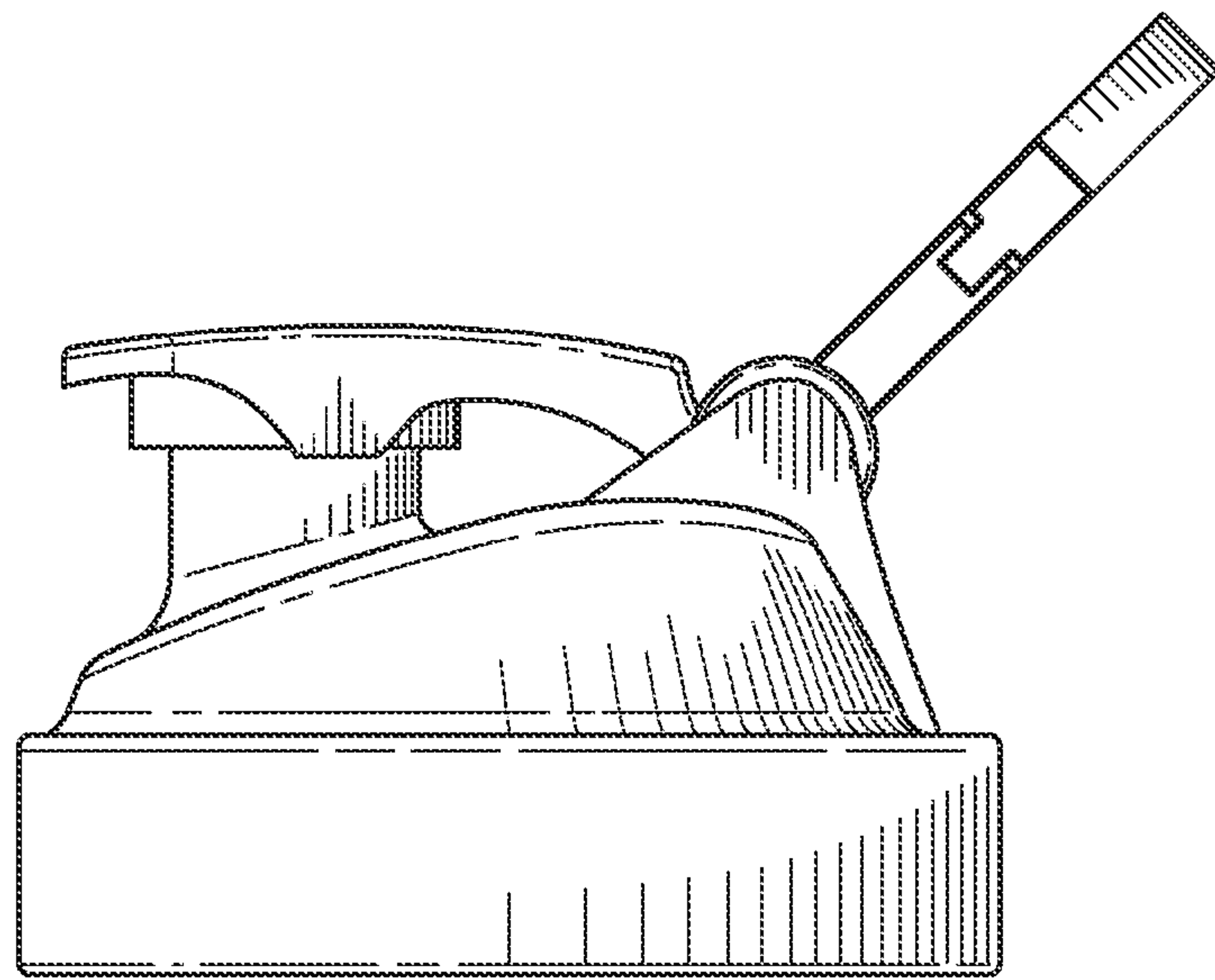


FIG. 5

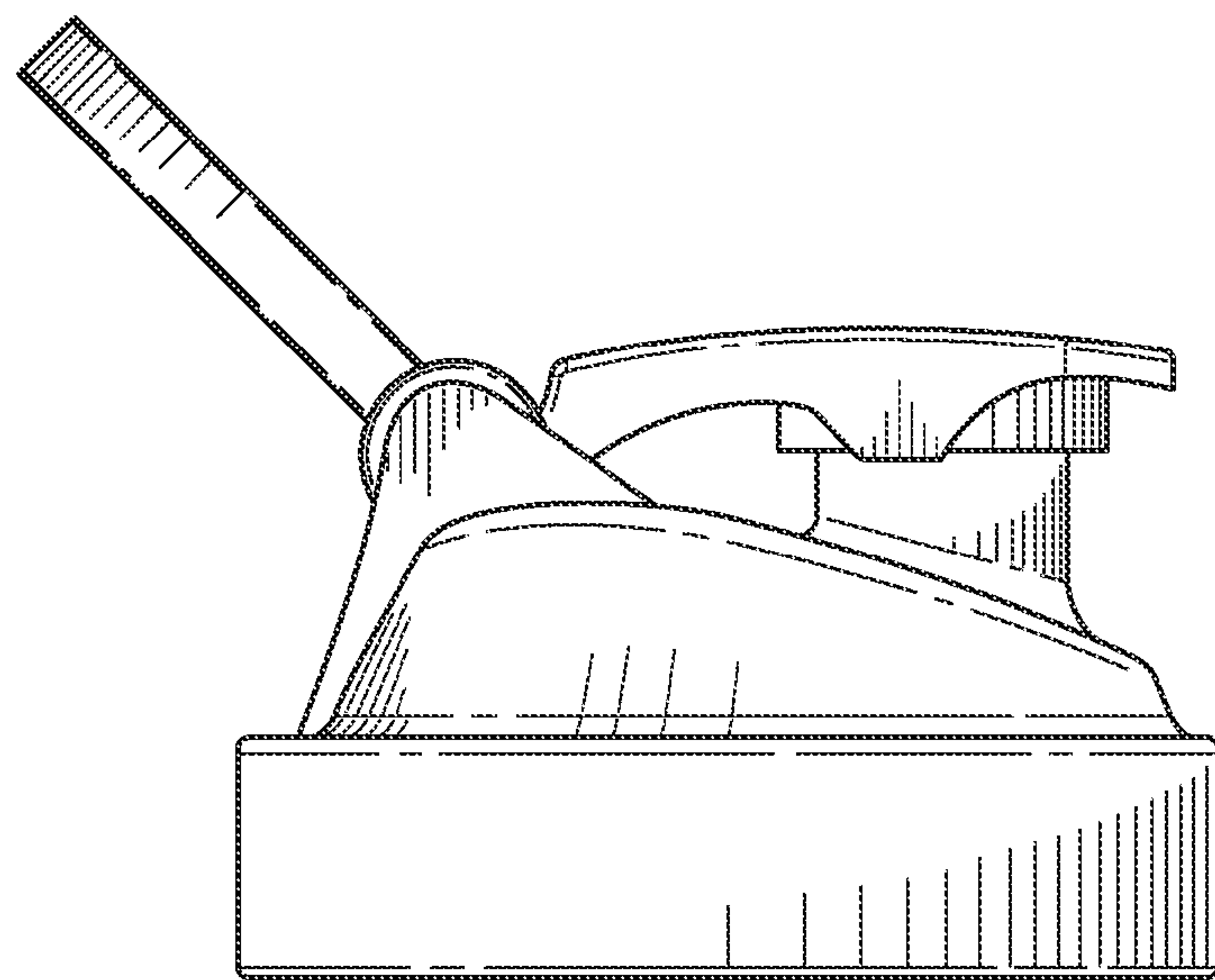


FIG. 6

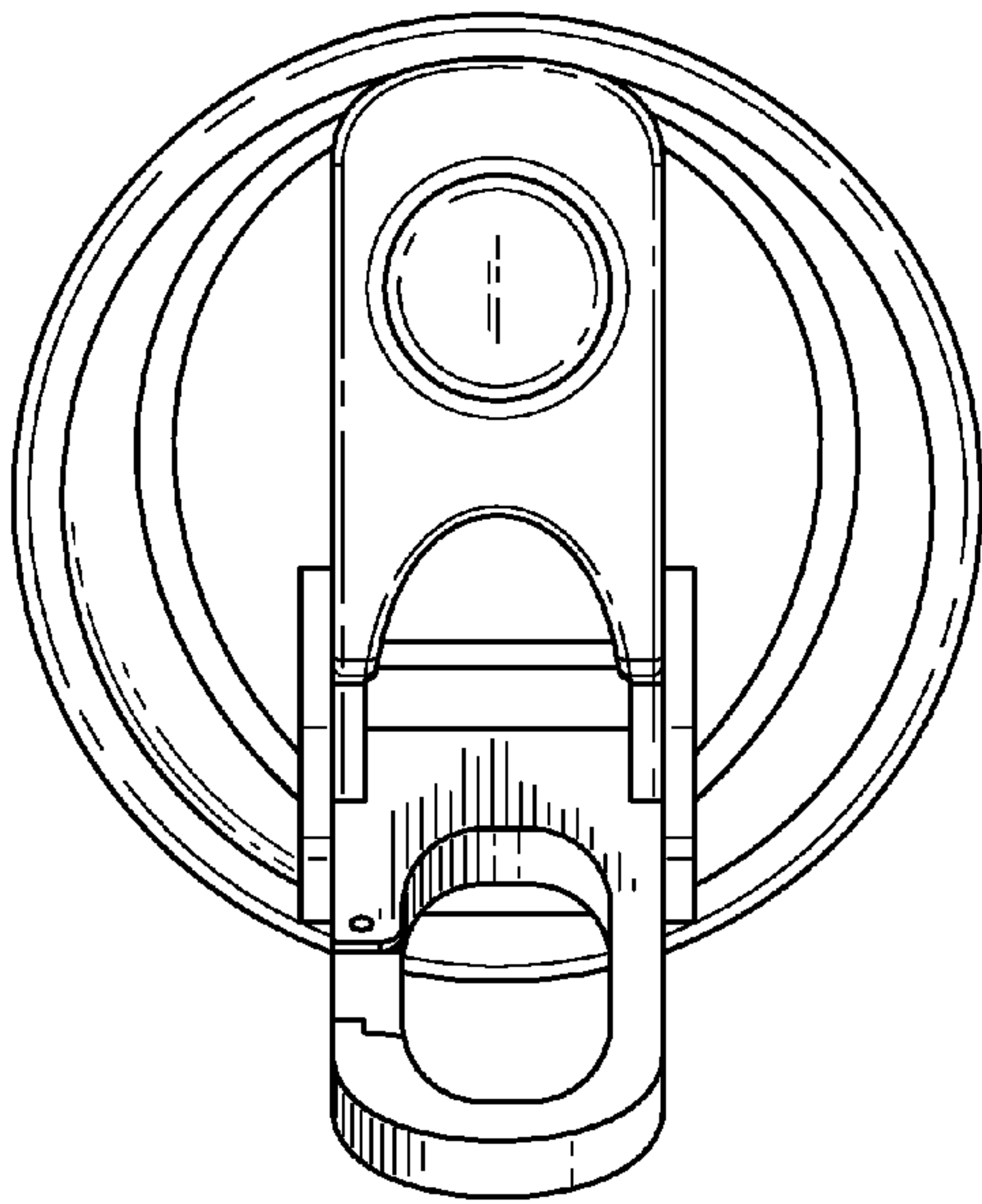


FIG. 7

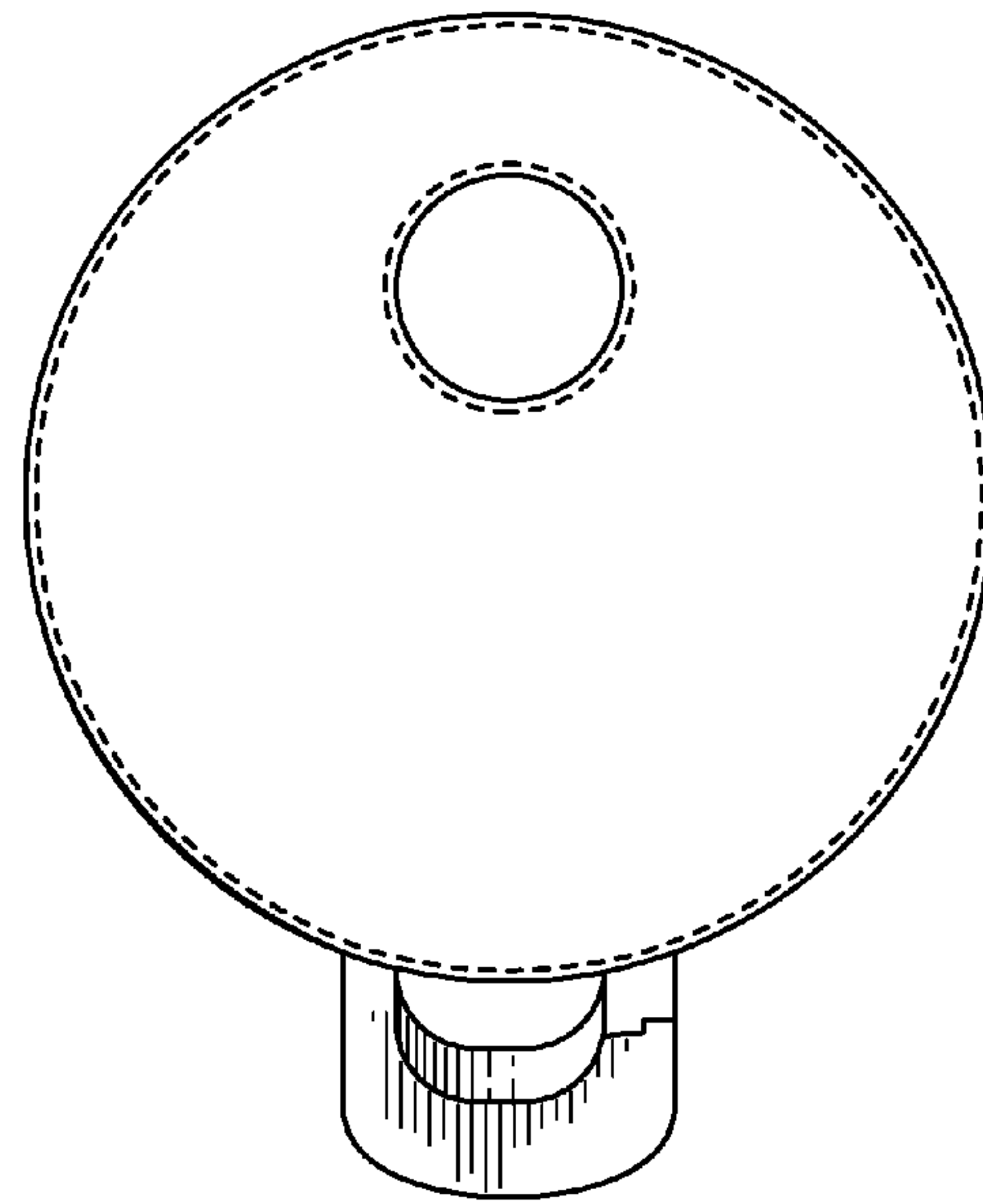


FIG. 8

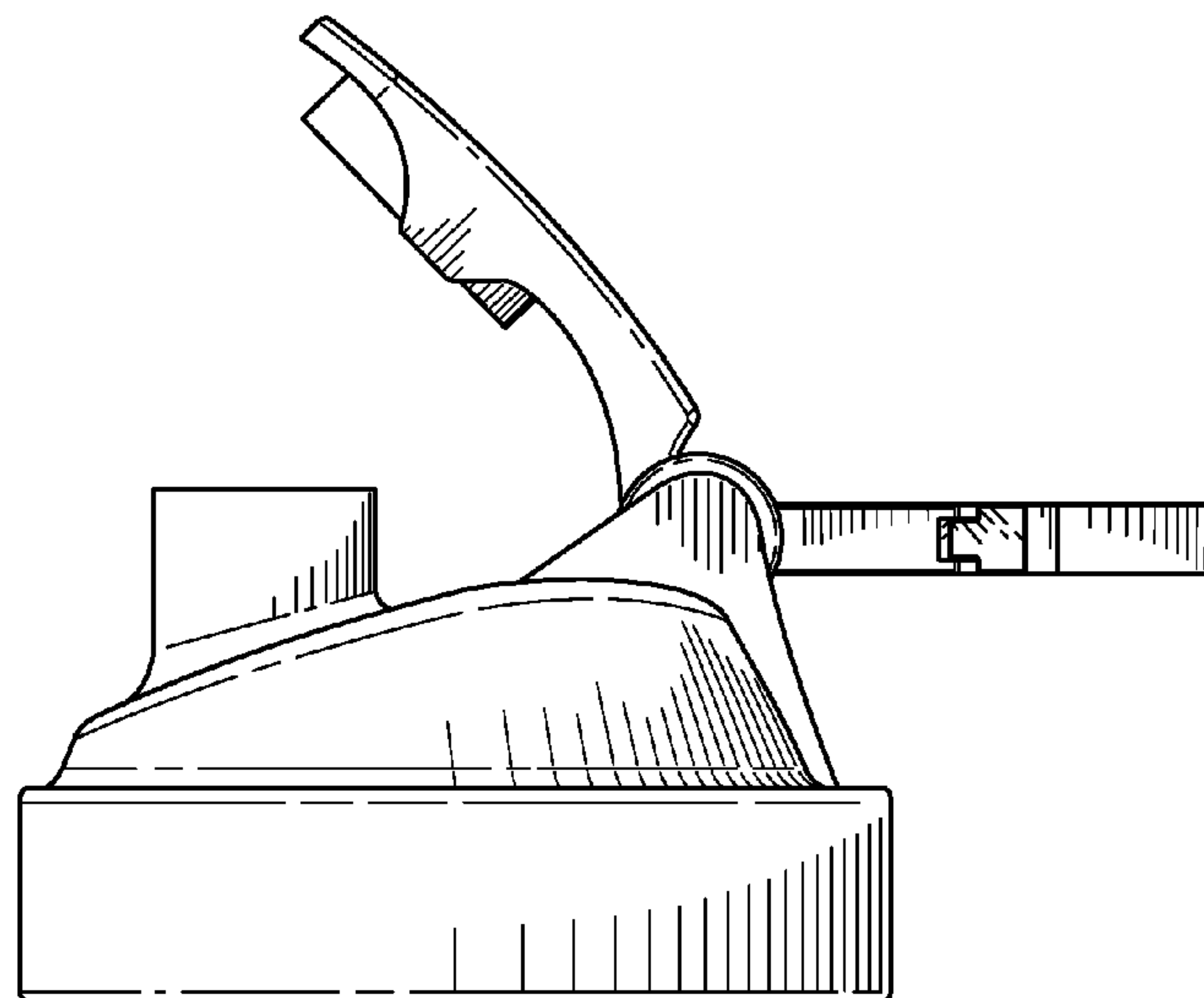


FIG. 9