

US00D742229S

(12) **United States Design Patent**  
**Wisniewski et al.**

(10) **Patent No.:** **US D742,229 S**  
(45) **Date of Patent:** **\*\* Nov. 3, 2015**

- (54) **FLARED LID CLOSURE**
- (71) Applicant: **AptarGroup, Inc.**, Crystal Lake, IL  
(US)
- (72) Inventors: **John M. Wisniewski**, Waukesha, WI  
(US); **Katie Karabon**, Milwaukee, WI  
(US)
- (73) Assignee: **AptarGroup, Inc.**, Crystal Lake, IL  
(US)
- (\*\*) Term: **14 Years**
- (21) Appl. No.: **29/485,470**
- (22) Filed: **Mar. 19, 2014**
- (51) **LOC (10) Cl.** ..... **09-07**
- (52) **U.S. Cl.**  
USPC ..... **D9/449**
- (58) **Field of Classification Search**  
USPC ..... D9/434, 435, 436, 440, 443, 444, 445,  
D9/446, 447, 449, 454, 455, 499;  
D7/392.1, 396.2; 215/298, 305;  
220/254, 254.5; 206/501  
CPC ..... B65D 21/0228; B65D 45/025; B65D  
47/0895; B65D 51/04; B65D 47/08  
See application file for complete search history.

D611,817 S *	3/2010	Simmons et al.	.....	D9/504
D660,704 S *	5/2012	Simmons et al.	.....	D9/504
D662,416 S *	6/2012	Dziersk et al.	.....	D9/449
D672,650 S *	12/2012	Wisniewski et al.	.....	D9/449
D682,102 S *	5/2013	Davis et al.	.....	D9/449
D700,802 S *	3/2014	Miller	.....	D7/392.1
D702,551 S *	4/2014	Wisniewski et al.	.....	D9/449
D709,764 S *	7/2014	Gibb	.....	D9/449
D716,142 S *	10/2014	Luijendijk	.....	D9/449
2012/0080450 A1 *	4/2012	Dziersk et al.	.....	222/173

\* cited by examiner

*Primary Examiner* — Robert M Spear

(74) *Attorney, Agent, or Firm* — Wood, Phillips, Katz, Clark & Mortimer

(57) **CLAIM**

The ornamental design for a flared lid closure, as shown and described.

**DESCRIPTION**

FIG. 1 is an upper right front corner isometric view of a flared lid closure showing our new design;  
 FIG. 2 is another isometric view thereof rotated about 180° from the view shown in FIG. 1;  
 FIG. 3 is a top plan view thereof;  
 FIG. 4 is a front elevational view thereof;  
 FIG. 5 is a right side elevational view thereof, the left side elevational view thereof being a mirror image; and,  
 FIG. 6 is a rear elevational view thereof.  
 In the drawings, the broken lines depict environmental subject matter only and form no part of the claimed design.

**1 Claim, 2 Drawing Sheets**

(56) **References Cited**

U.S. PATENT DOCUMENTS

D306,265 S *	2/1990	Leebeek	.....	D9/435
D537,342 S *	2/2007	Smith et al.	.....	D9/449
D538,162 S *	3/2007	Smith	.....	D9/449

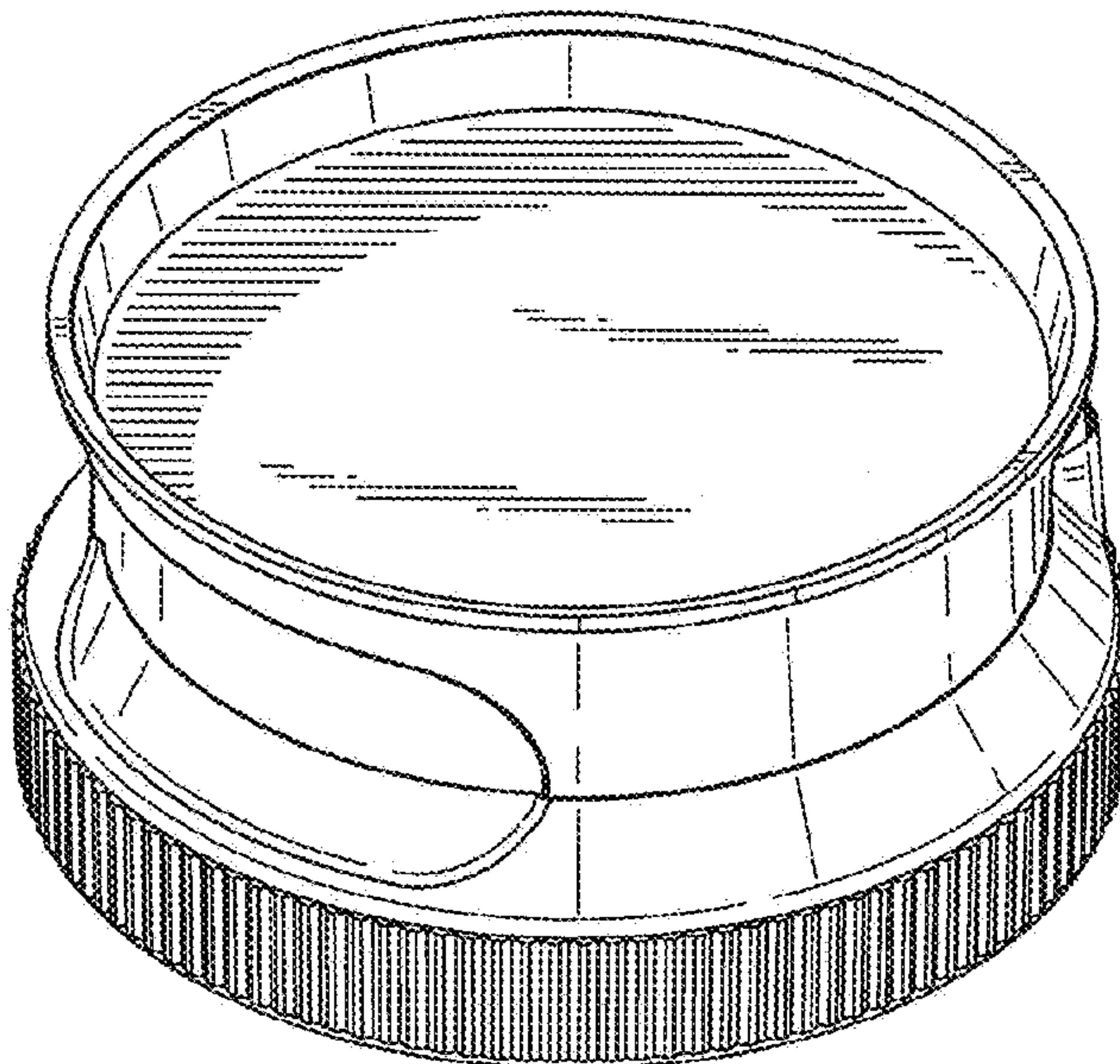


Fig. 1

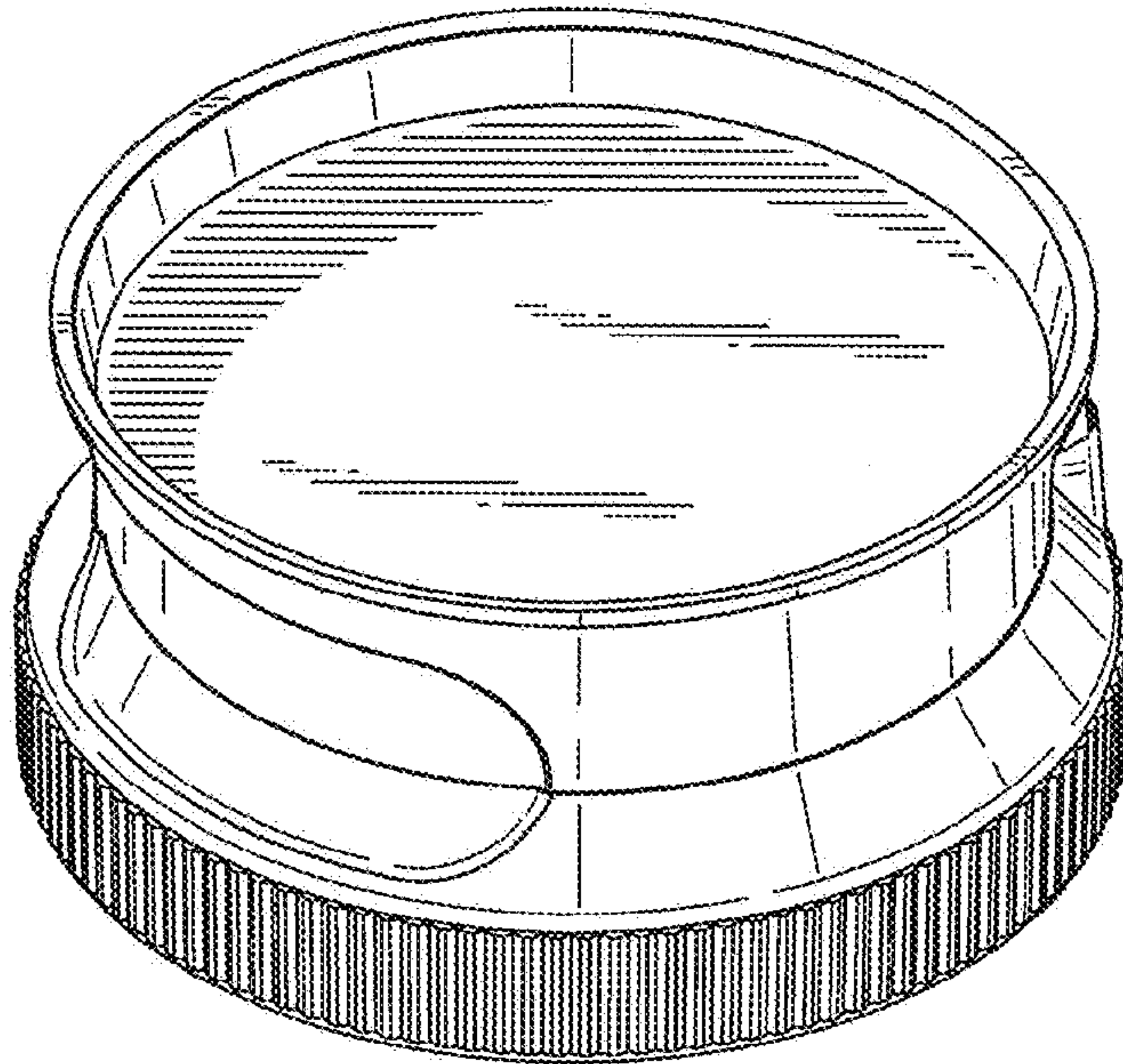


Fig. 2

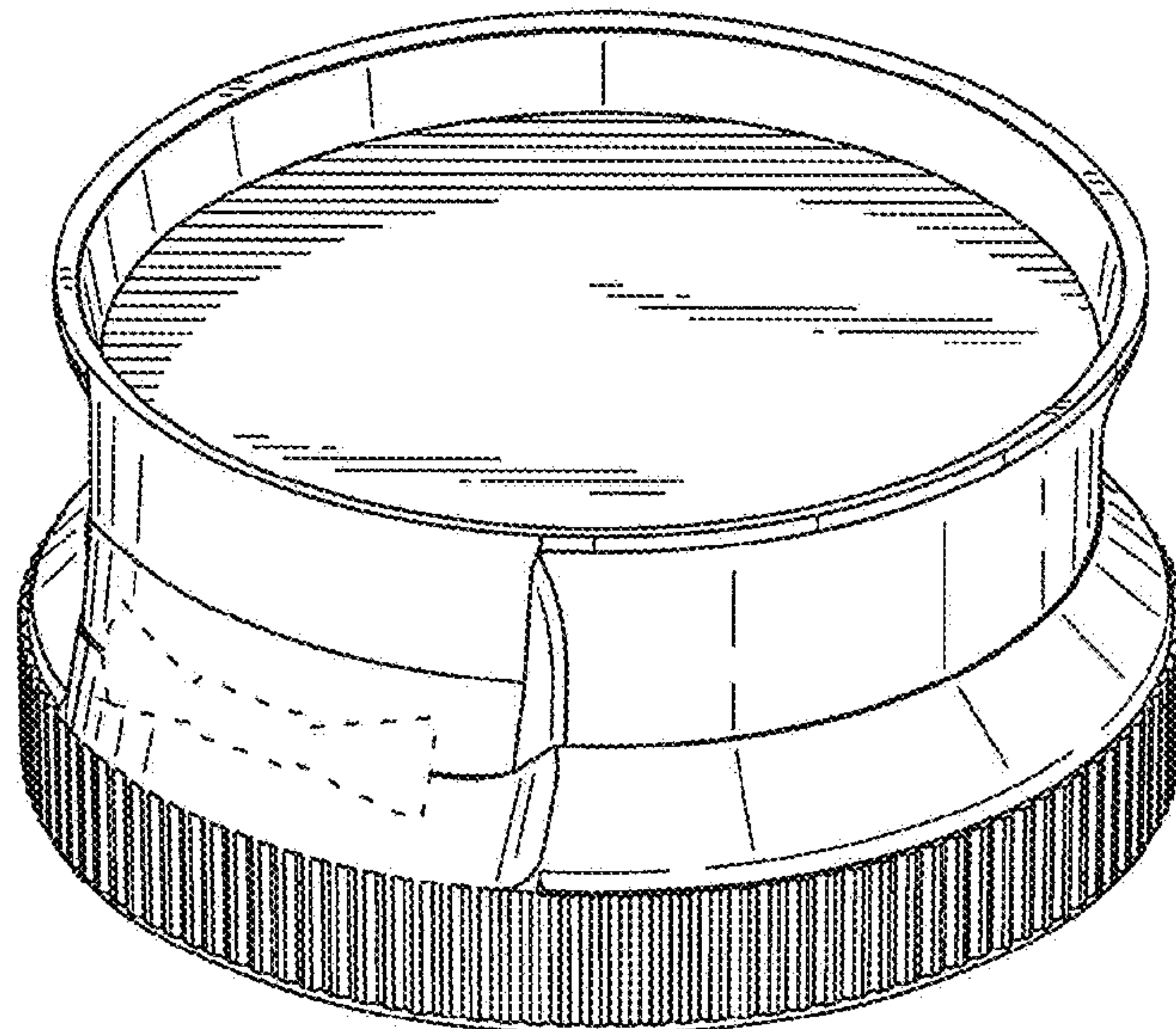




Fig. 3

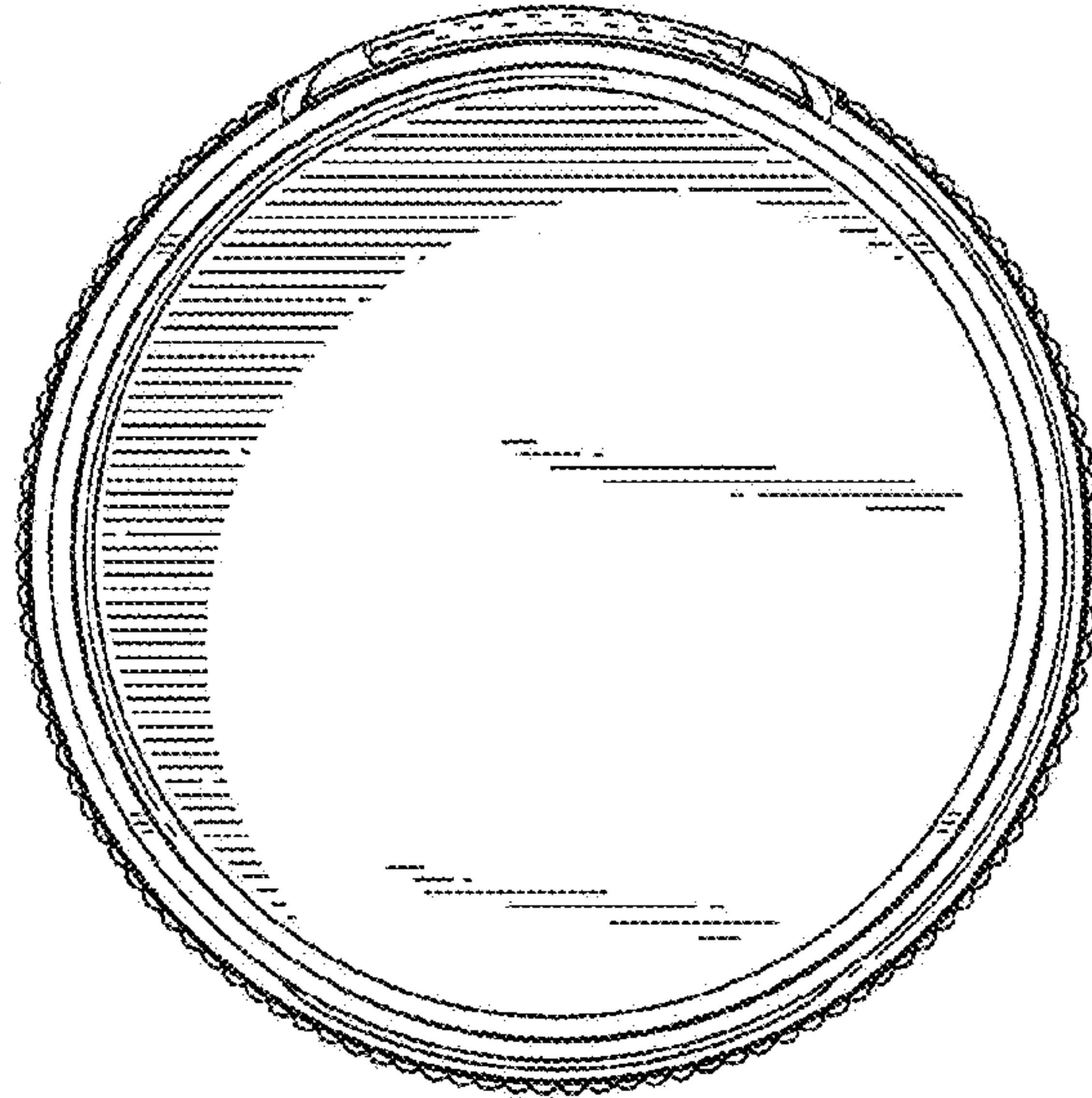


Fig. 4

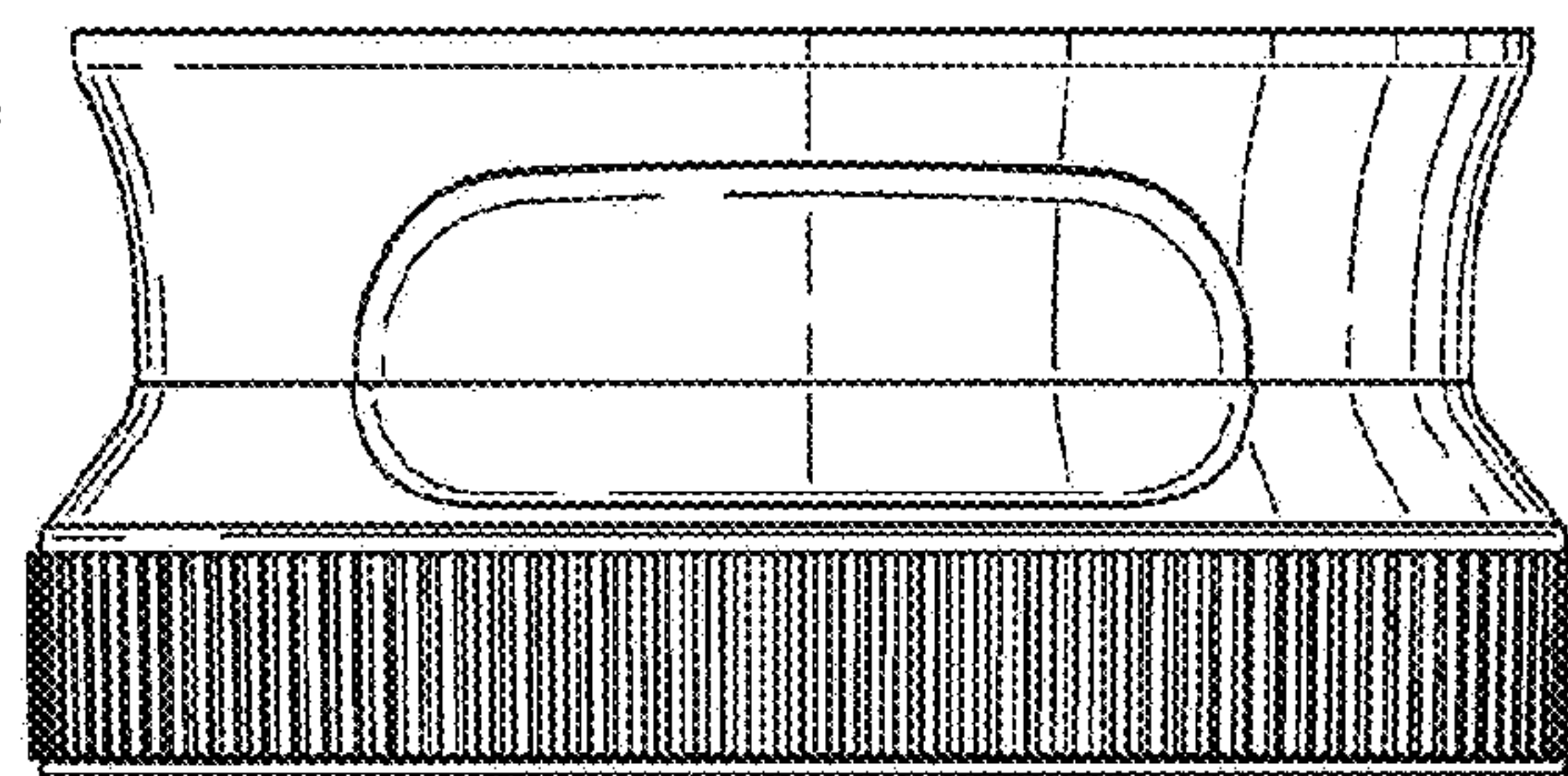


Fig. 5

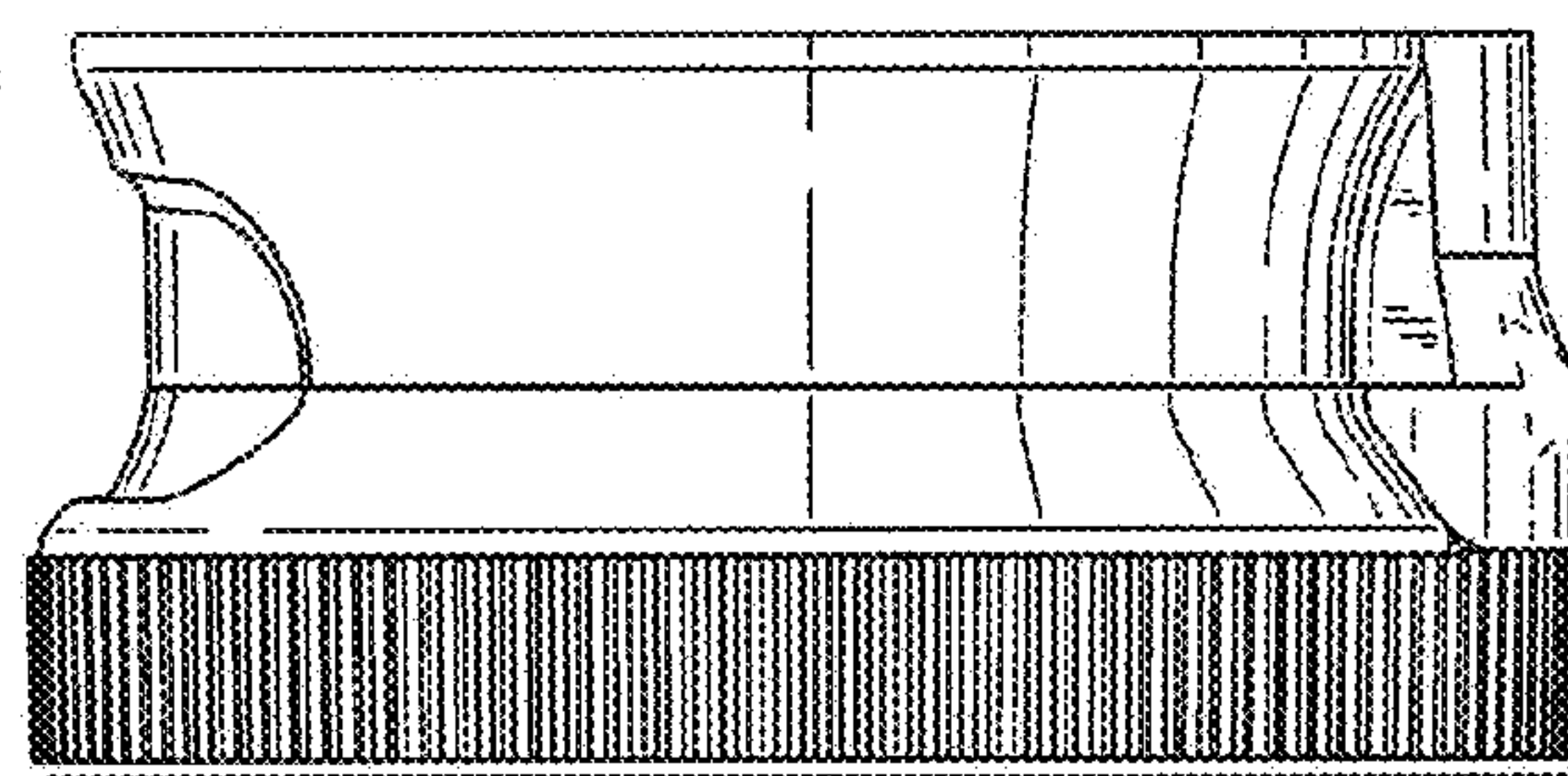


Fig. 6

