



US00D742228S

(12) **United States Design Patent**
Dyer et al.

(10) **Patent No.:** **US D742,228 S**

(45) **Date of Patent:** **** Nov. 3, 2015**

(54) **CAP FOR TOTTLE BOTTLE**

(71) Applicant: **EUROPEAN SUGAR HOLDINGS S.A.R.L.**, Capellen (LU)

(72) Inventors: **William Richard Dyer**, Boynton Beach, FL (US); **Mark Humphreys**, Hockley (GB); **Tamas Fuzer**, Chipstead (GB)

(73) Assignee: **European Sugar Holdings S.A.R.L.**, Capellen (LU)

(**) Term: **14 Years**

(21) Appl. No.: **29/479,662**

(22) Filed: **Jan. 17, 2014**

(51) **LOC (10) Cl.** **09-07**

(52) **U.S. Cl.**

USPC **D9/449**

(58) **Field of Classification Search**

USPC D7/392, 398; D9/434, 435, 439, 440, D9/446-450, 453, 454, 499, 515, 737, D9/739; 222/153.02, 153.14, 553, 556, 222/566, 575; 215/237

CPC B65D 41/46; B65D 47/08

See application file for complete search history.

(56) **References Cited**

U.S. PATENT DOCUMENTS

2,981,431 A	4/1961	Schuluttig	
D280,386 S	9/1985	Dinand	
5,201,440 A *	4/1993	Gross	222/153.07
D363,222 S *	10/1995	Lay	D9/447
D380,355 S	7/1997	Husted	
D403,965 S	1/1999	Bright et al.	
D419,890 S	2/2000	Nosella	

(Continued)

OTHER PUBLICATIONS

Non-Final Office Action issued May 15, 2015 for U.S. Appl. No. 29/479,655, filed Jan. 17, 2014 (Inventor-Dyer et al.; Applicant—European Sugar Holdings) (12 pages).

(Continued)

Primary Examiner — Robert M Spear

(74) *Attorney, Agent, or Firm* — Ballard Spahr LLP

(57) **CLAIM**

The ornamental design for a cap for tottle bottle, as shown and described.

DESCRIPTION

FIG. 1 is a perspective view of a cap for tottle bottle showing our new design, with the cap in a closed position;

FIG. 2 is a top plan view of the cap of FIG. 1, with the cap in the closed position;

FIG. 3 is a front elevational view of the cap of FIG. 1, with the cap in the closed position;

FIG. 4 is a back elevational view of the cap of FIG. 1, with the cap in the closed position;

FIG. 5 is a right side elevational view of the cap of FIG. 1, with the cap in the closed position;

FIG. 6 is a left side elevational view of the cap of FIG. 1, with the cap in the closed position;

FIG. 7 is a perspective view of the cap of FIG. 1, with the cap in an open position;

FIG. 8 is a right side elevational view of the cap of FIG. 1, with the cap in the open position, the left side elevational view being a mirror image thereof;

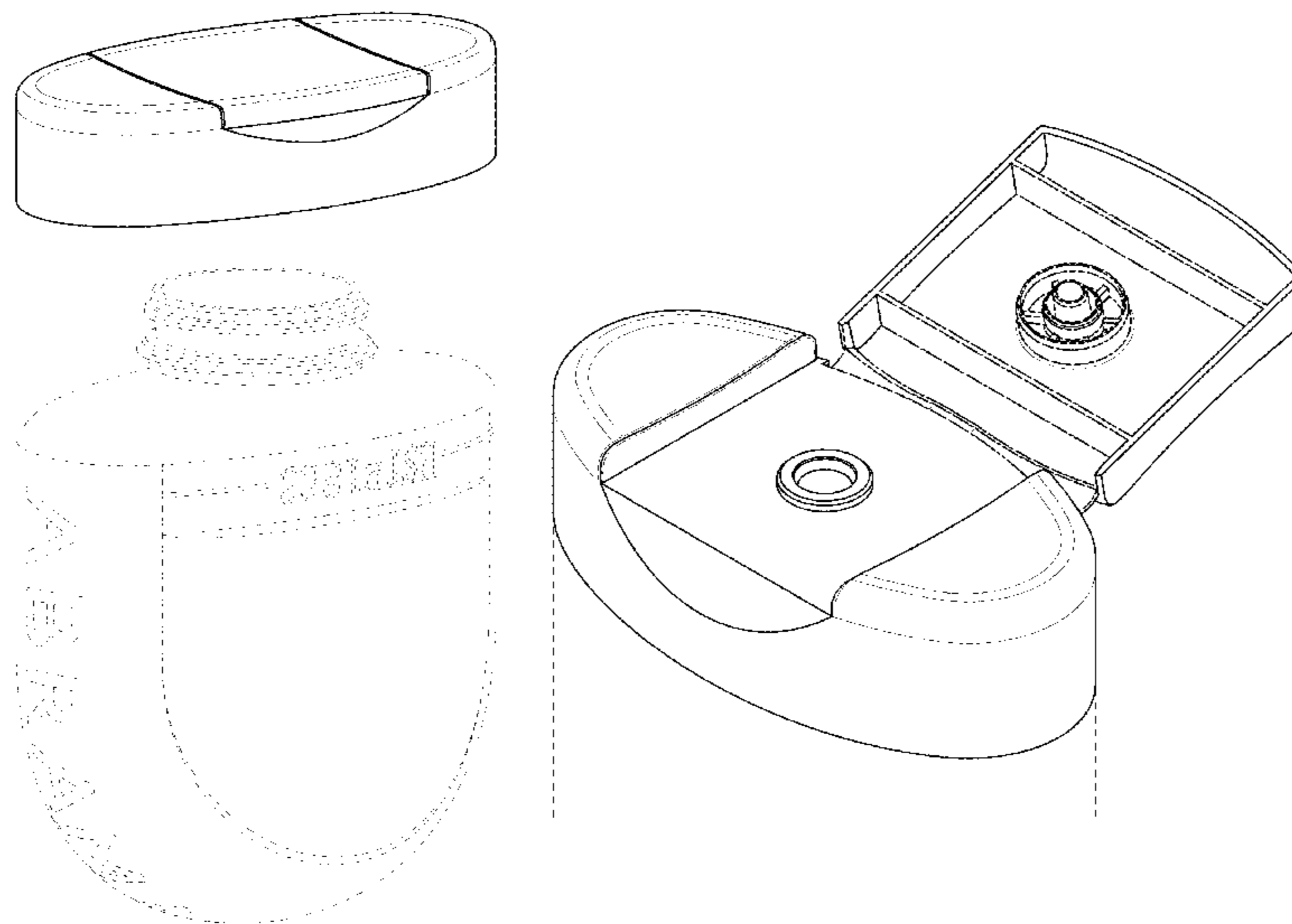
FIG. 9 is a top plan view of the cap of FIG. 1, with the cap in the open position;

FIG. 10 is a front elevational view of the cap of FIG. 1, with the cap in the open position; and,

FIG. 11 is a back elevational view of the cap of FIG. 1, with the cap in the open position.

The broken lines in FIGS. 1-11 depict environmental subject matter only and form no part of the claimed design.

1 Claim, 4 Drawing Sheets



(56)

References Cited

U.S. PATENT DOCUMENTS

D438,459 S 3/2001 Holthaus
6,321,923 B1 * 11/2001 Wood 215/235
D459,232 S * 6/2002 Crawford et al. D9/530
D480,003 S * 9/2003 Blades D9/529
D493,576 S 7/2004 Ward
D536,253 S 2/2007 Howes et al.
D538,668 S 3/2007 Campbell et al.
D541,923 S 5/2007 Castillo Higareda
D545,210 S 6/2007 Armstrong et al.
D566,451 S 4/2008 Wang
D582,580 S 12/2008 Spangler et al.
D587,591 S 3/2009 Crawford

D625,189 S * 10/2010 Dias D9/449
D637,647 S 5/2011 Allison et al.
D641,627 S * 7/2011 Rosenauer D9/449
D672,654 S * 12/2012 Jackel D9/449
D711,231 S * 8/2014 Pun D9/449
D716,548 S 11/2014 Seehoff et al.
D720,096 S 12/2014 McDougall

OTHER PUBLICATIONS

Non-Final Office Action issued May 8, 2015 for U.S. Appl. No. 29/479,658, filed Jan. 17, 2014 (Inventor-Dyer et al.; Applicant—European Sugar Holdings) (14 pages).

* cited by examiner

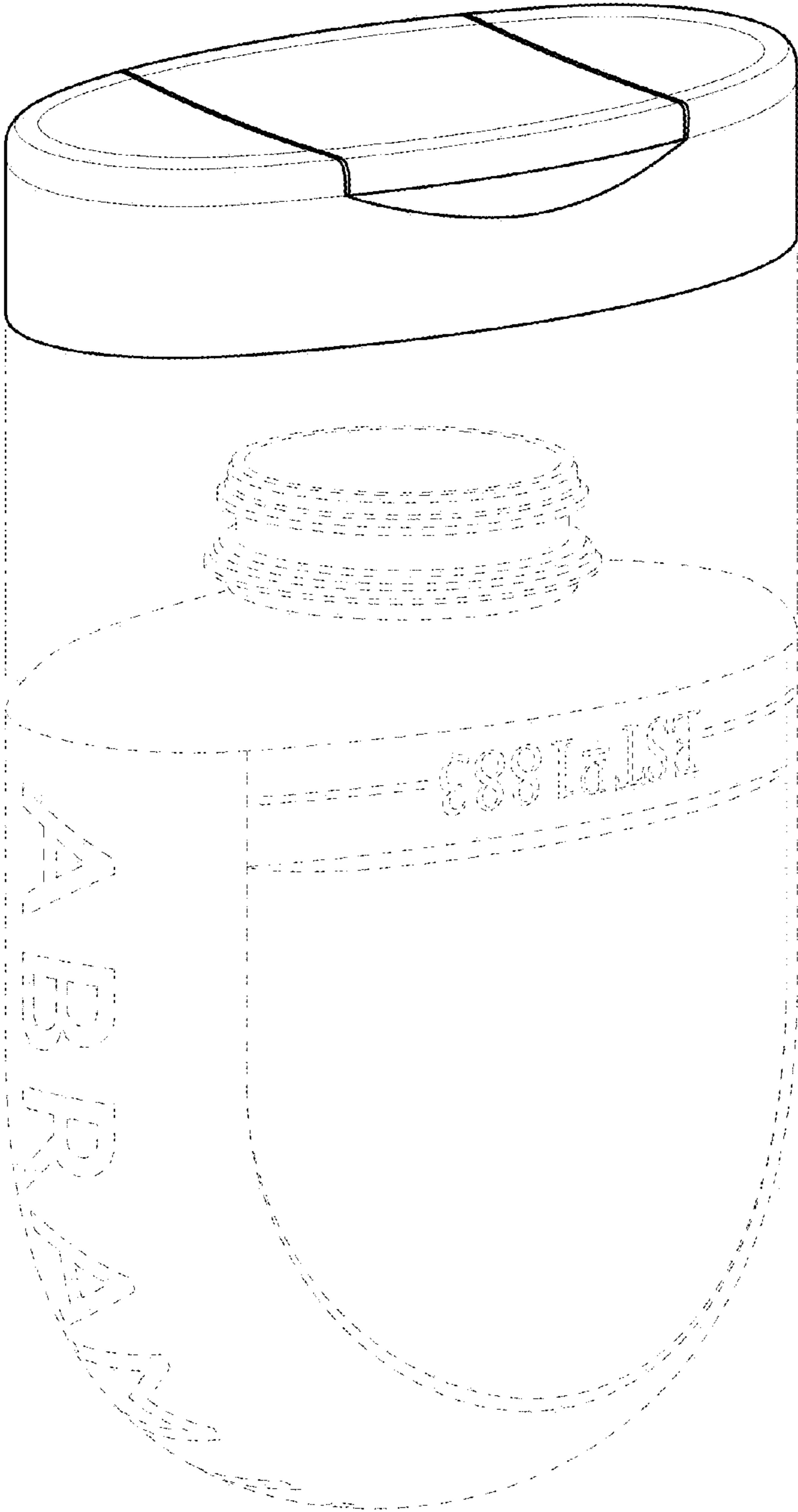


FIG. 1

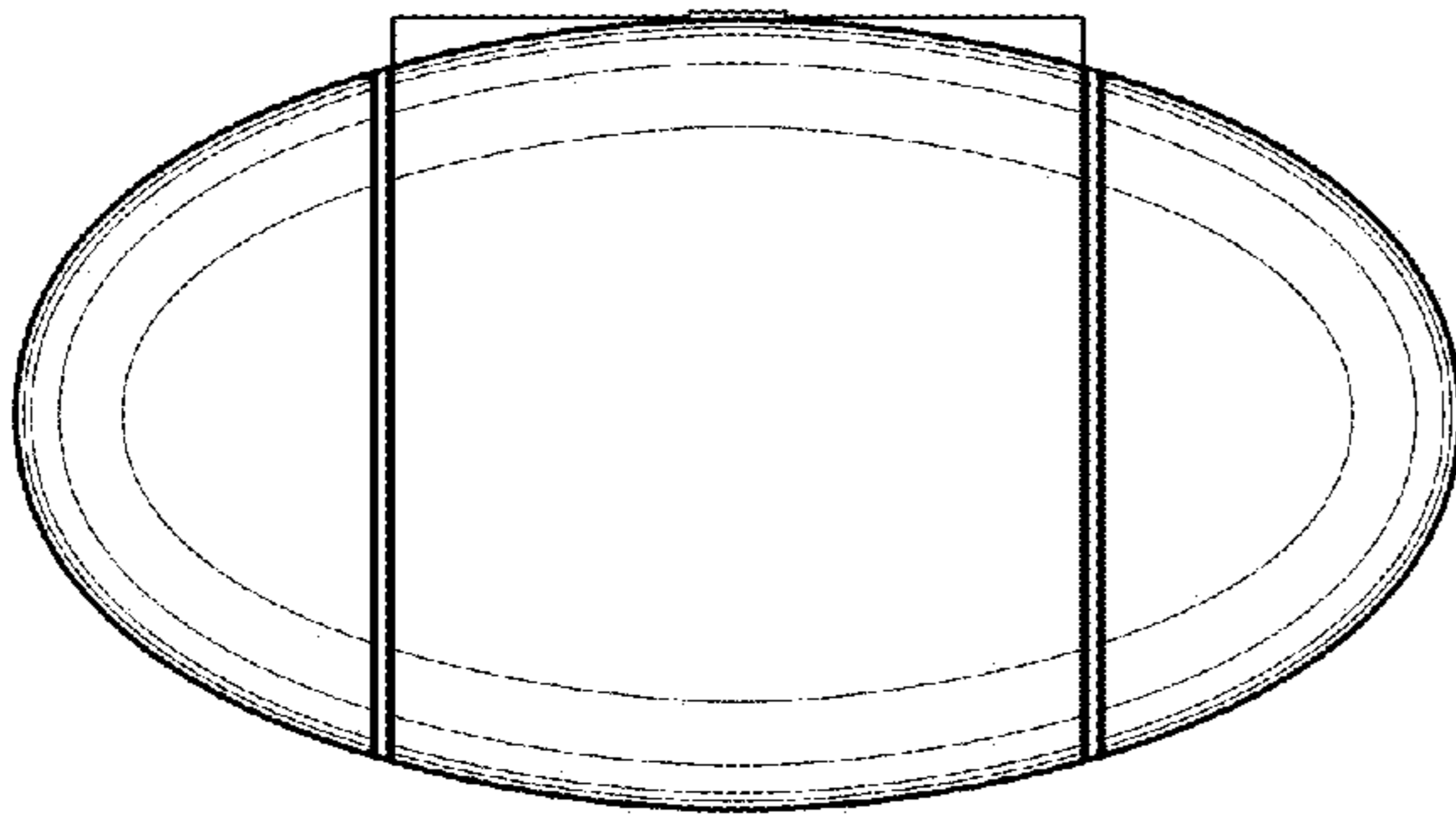


FIG. 2

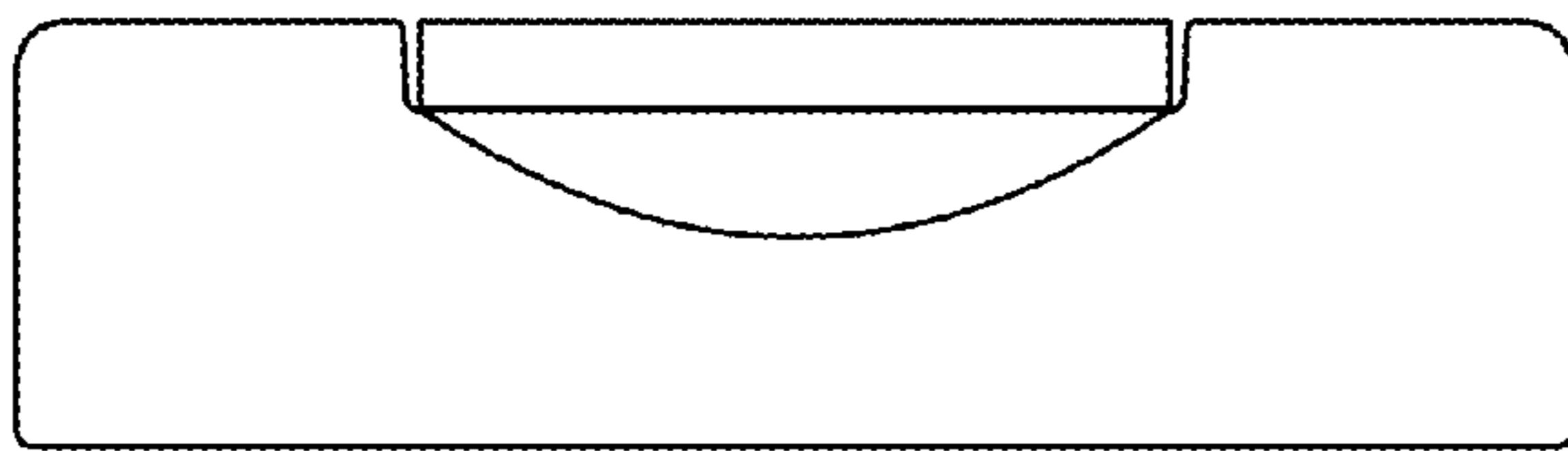


FIG. 3

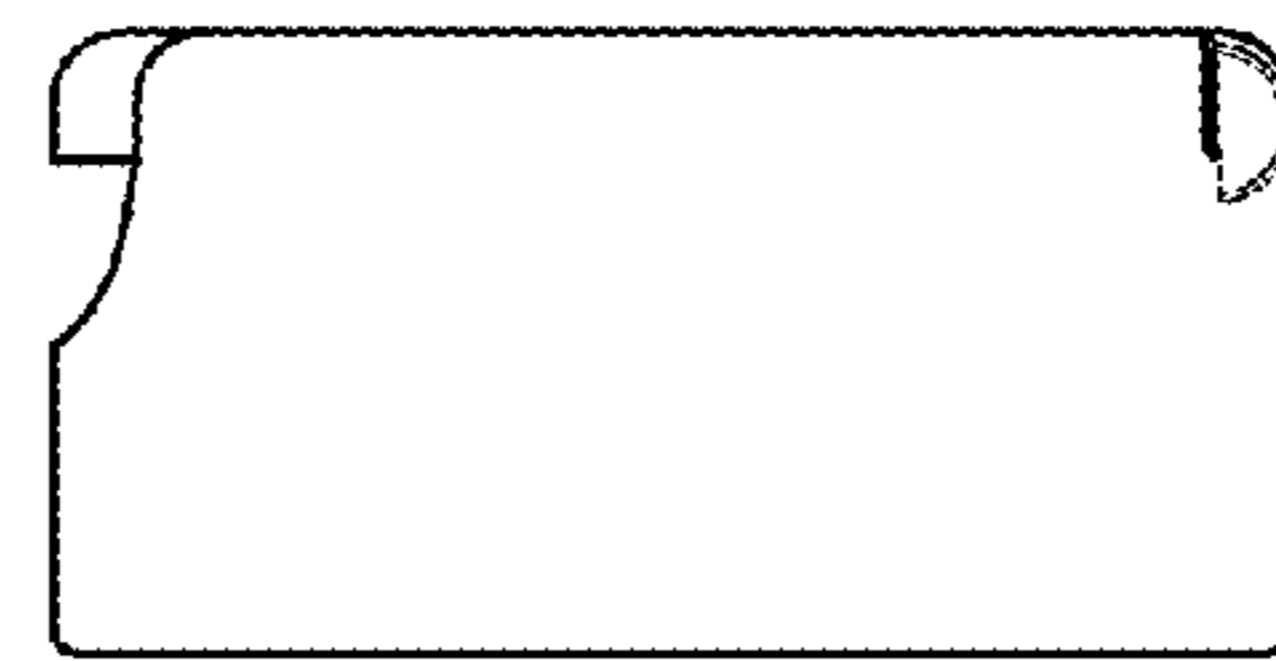


FIG. 5

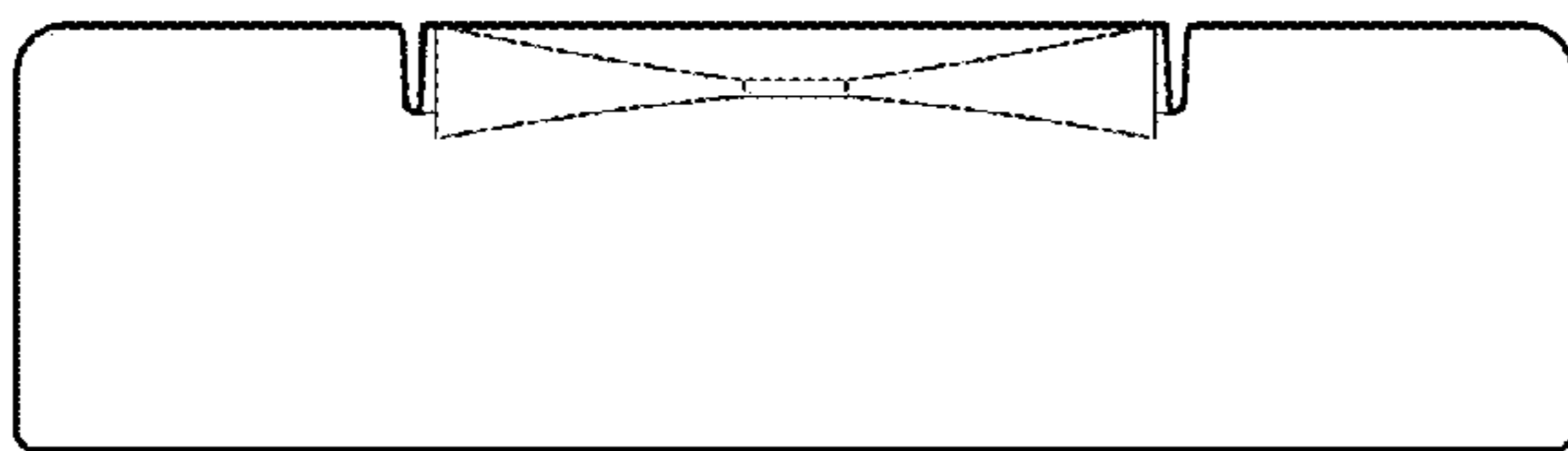


FIG. 4



FIG. 6

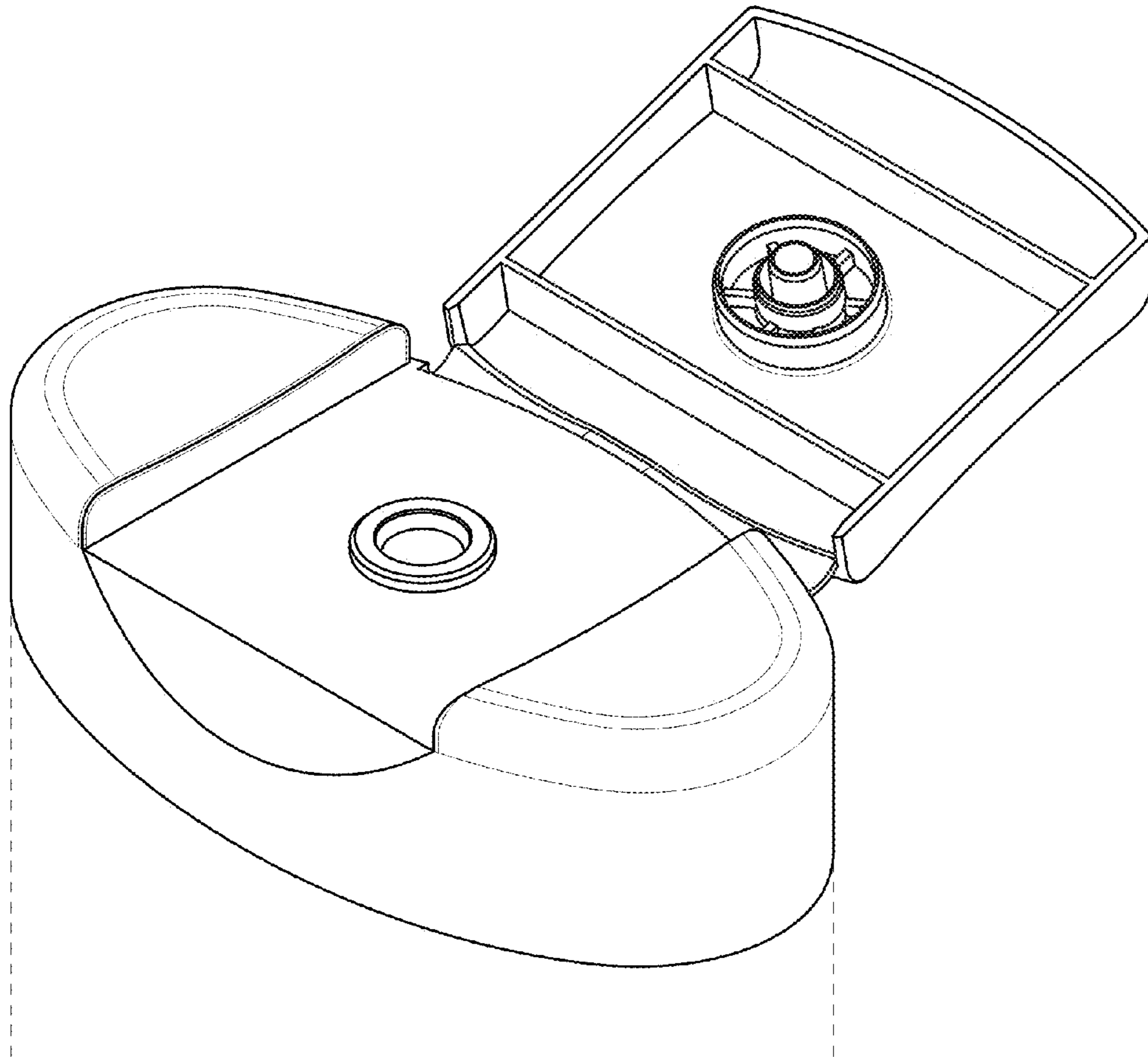


FIG. 7

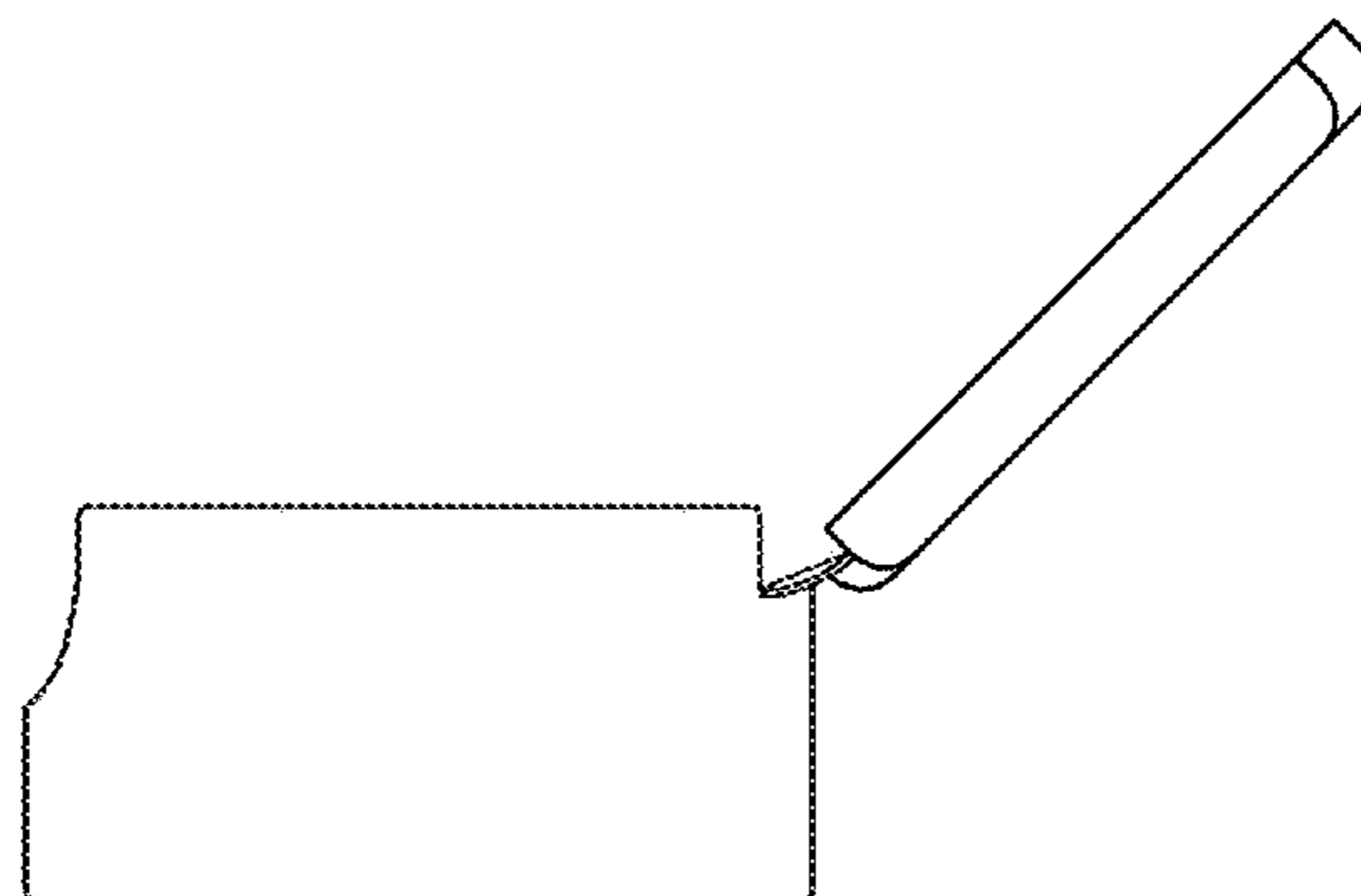


FIG. 8

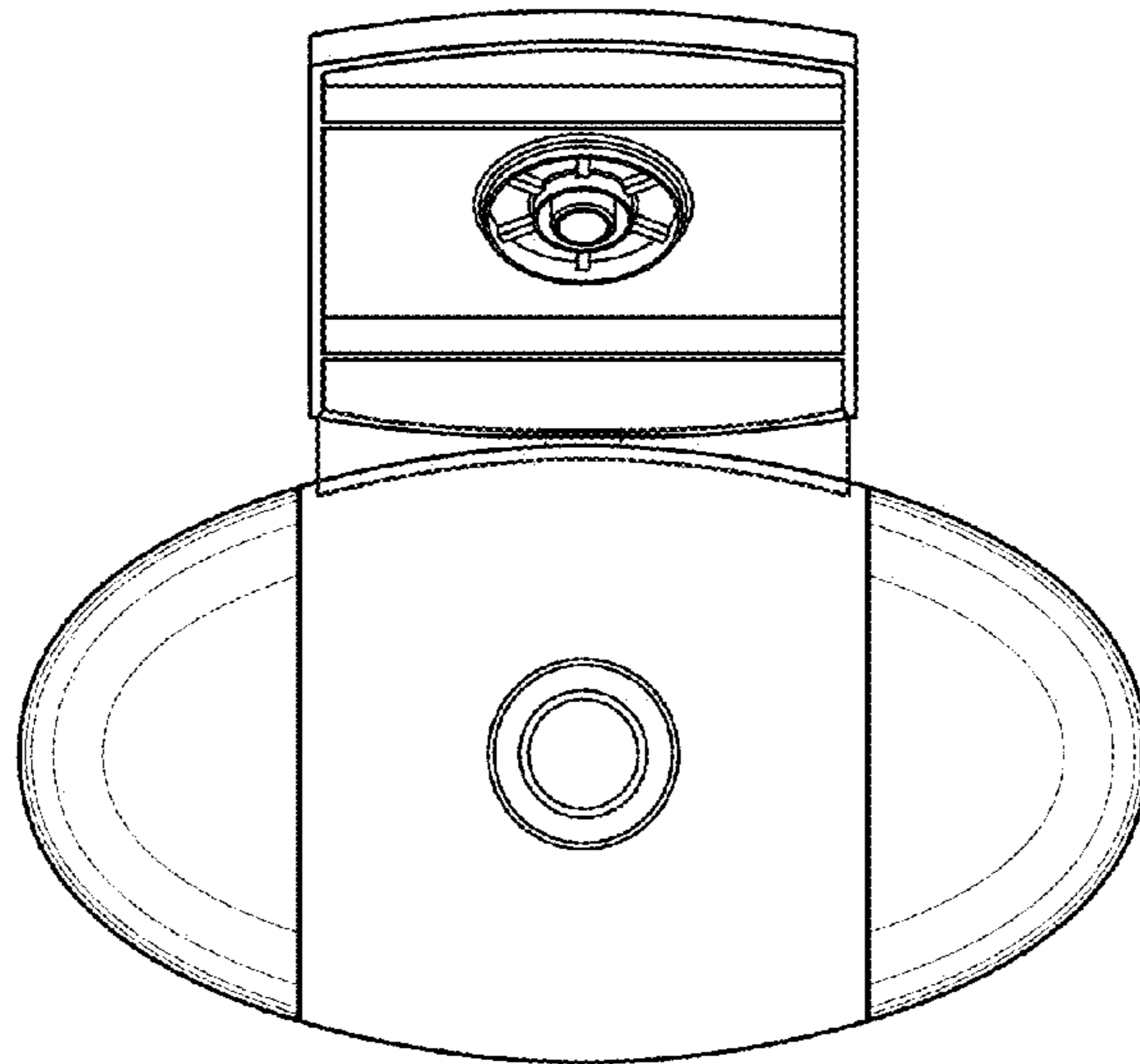


FIG. 9

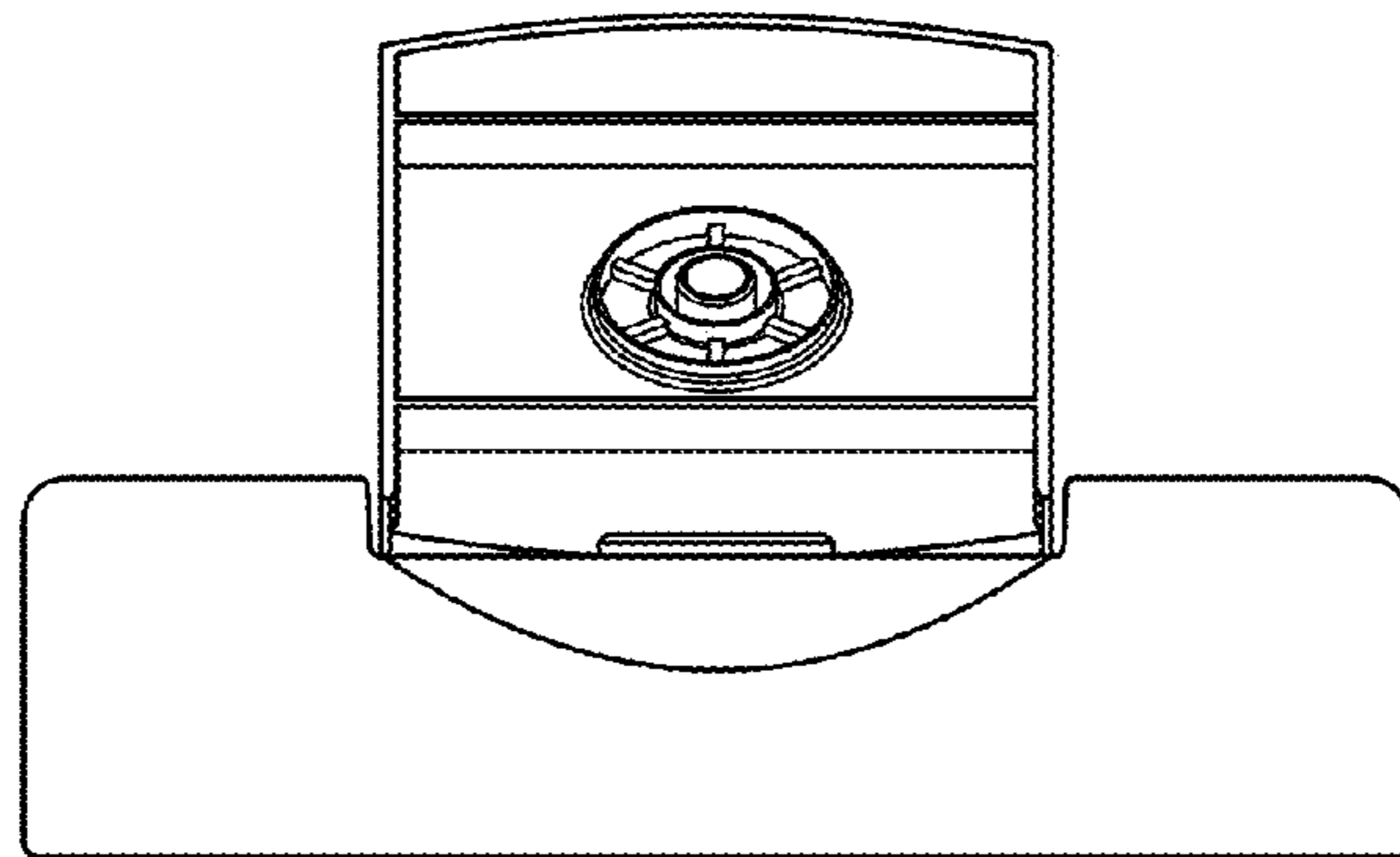


FIG. 10

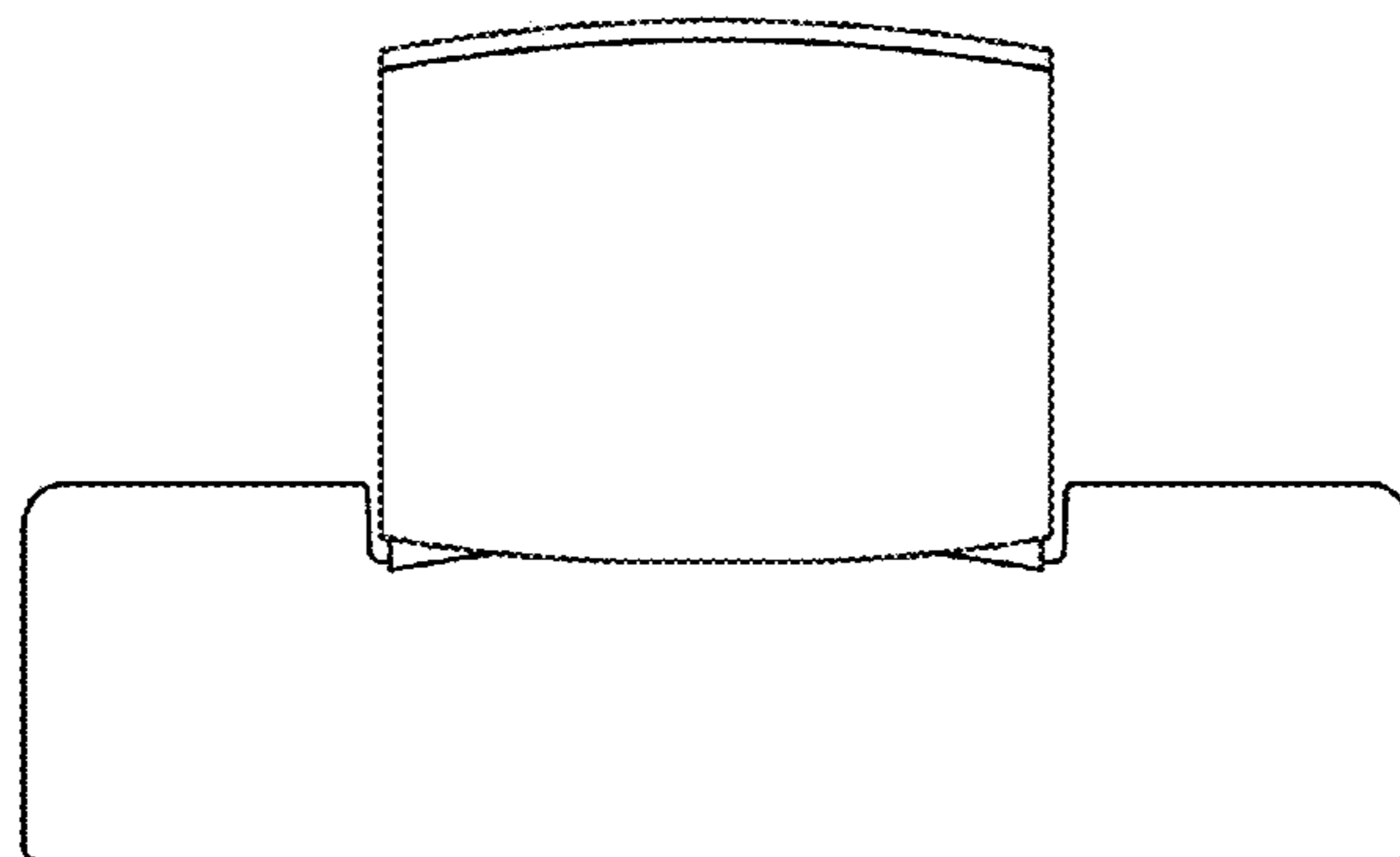


FIG. 11