



US00D742226S

(12) **United States Design Patent**  
**Hebert**

(10) **Patent No.:** **US D742,226 S**

(45) **Date of Patent:** **\*\* Nov. 3, 2015**

(54) **BOTTLE STOPPER**

(71) Applicant: **Eric Michael Hebert**, Harrisburg, NC  
(US)

(72) Inventor: **Eric Michael Hebert**, Harrisburg, NC  
(US)

(73) Assignee: **Fairly Odd Treasures**, Harrisburg, NC  
(US)

(\*\*) Term: **14 Years**

(21) Appl. No.: **29/507,028**

(22) Filed: **Oct. 23, 2014**

(51) **LOC (10) Cl.** ..... **09-07**

(52) **U.S. Cl.**  
USPC ..... **D9/441**

(58) **Field of Classification Search**  
USPC ..... D7/510-511, 514-520, 604, 613, 619.2,  
D7/623, 628, 527, 392, 392.1; D9/600,  
D9/614-627, 434-435, 439, 441,  
D9/451-454; 206/457, 527, 540; 220/890  
CPC ..... B65D 51/245; B65D 5/4258; B65D  
2203/00; B65D 2203/02; B65D 81/60; B65D  
81/365; B65D 81/366; B65D 81/368

See application file for complete search history.

(56) **References Cited**

U.S. PATENT DOCUMENTS

D346,327 S *	4/1994	Berkeley .....	D9/441
D381,898 S *	8/1997	Craig .....	D9/621
D401,849 S *	12/1998	Bernard .....	D9/621
D592,520 S *	5/2009	Capeto .....	D9/622
D708,517 S *	7/2014	Hebert .....	D9/441

\* cited by examiner

*Primary Examiner* — Sandra Morris

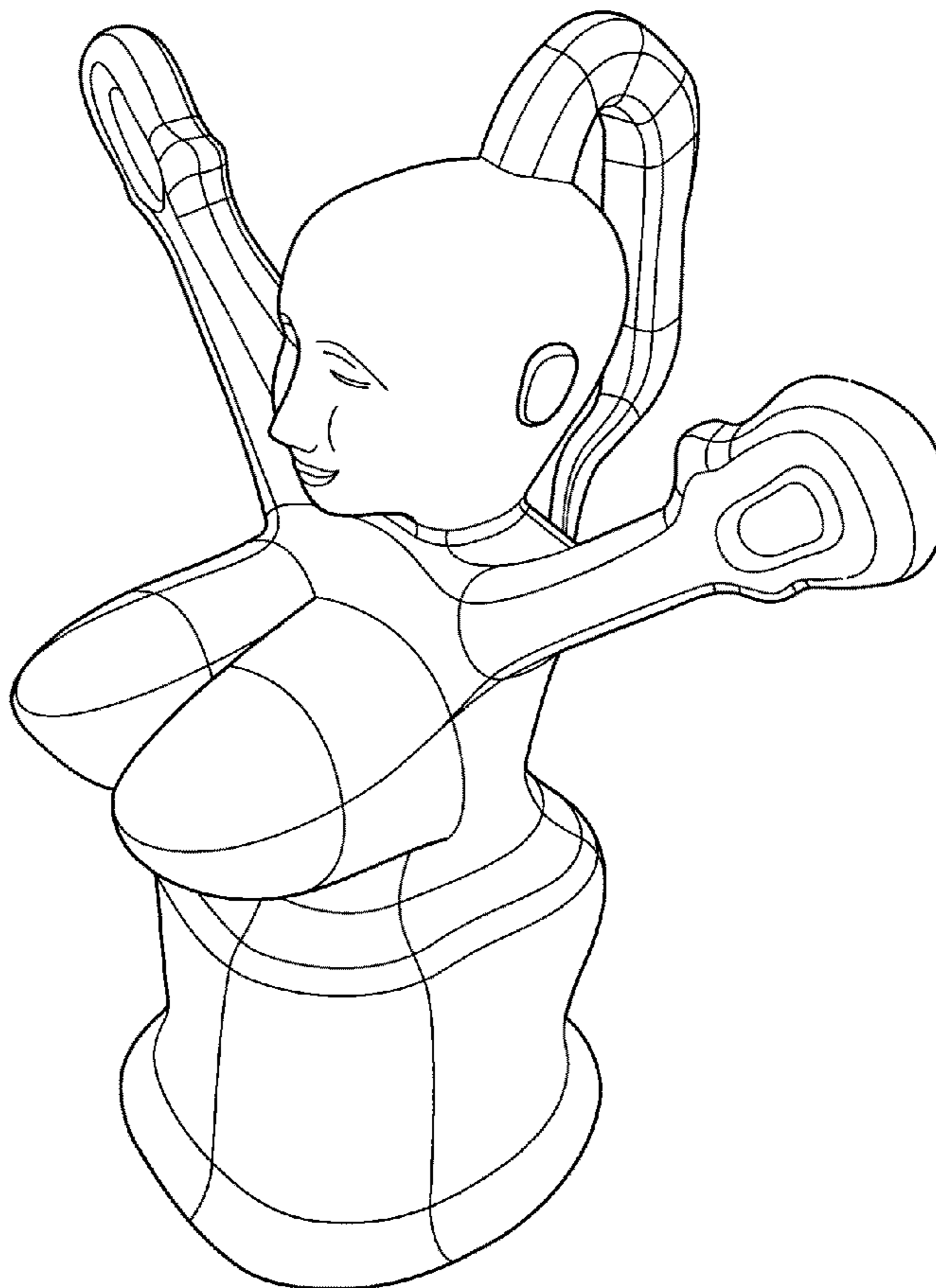
(57) **CLAIM**

The ornamental design for a bottle stopper, as shown.

**DESCRIPTION**

FIG. 1 is a perspective view of a bottle stopper showing my new design;  
FIG. 2 is a front view thereof;  
FIG. 3 is a back view thereof;  
FIG. 4 is a right side view thereof;  
FIG. 5 is a left side view thereof;  
FIG. 6 is a top view thereof; and,  
FIG. 7 is a bottom view thereof. The broken lines in FIG. 7 are included for the purpose of illustrating a portion of the bottom that forms no part of the claimed design.

**1 Claim, 7 Drawing Sheets**



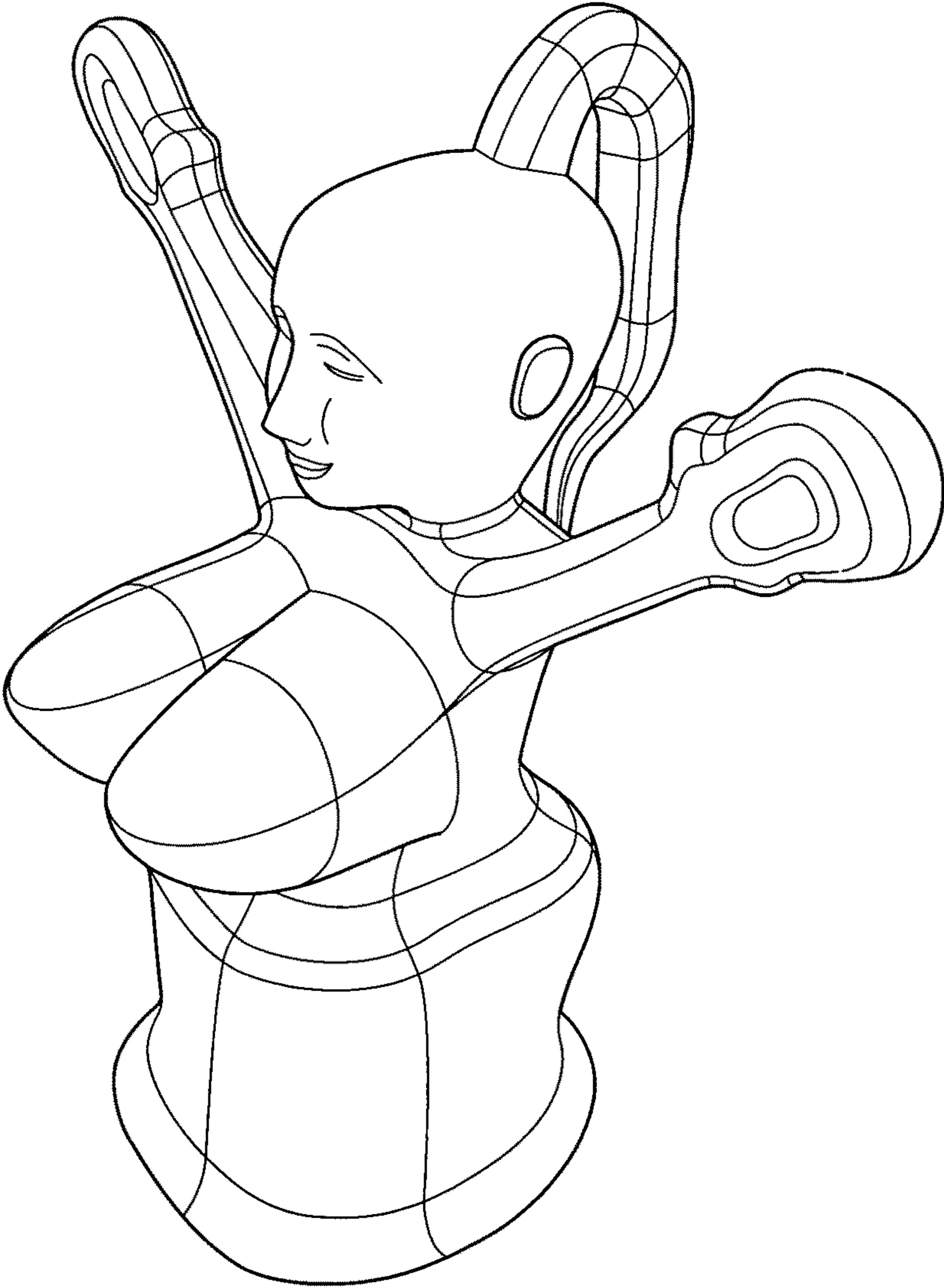


FIG. 1

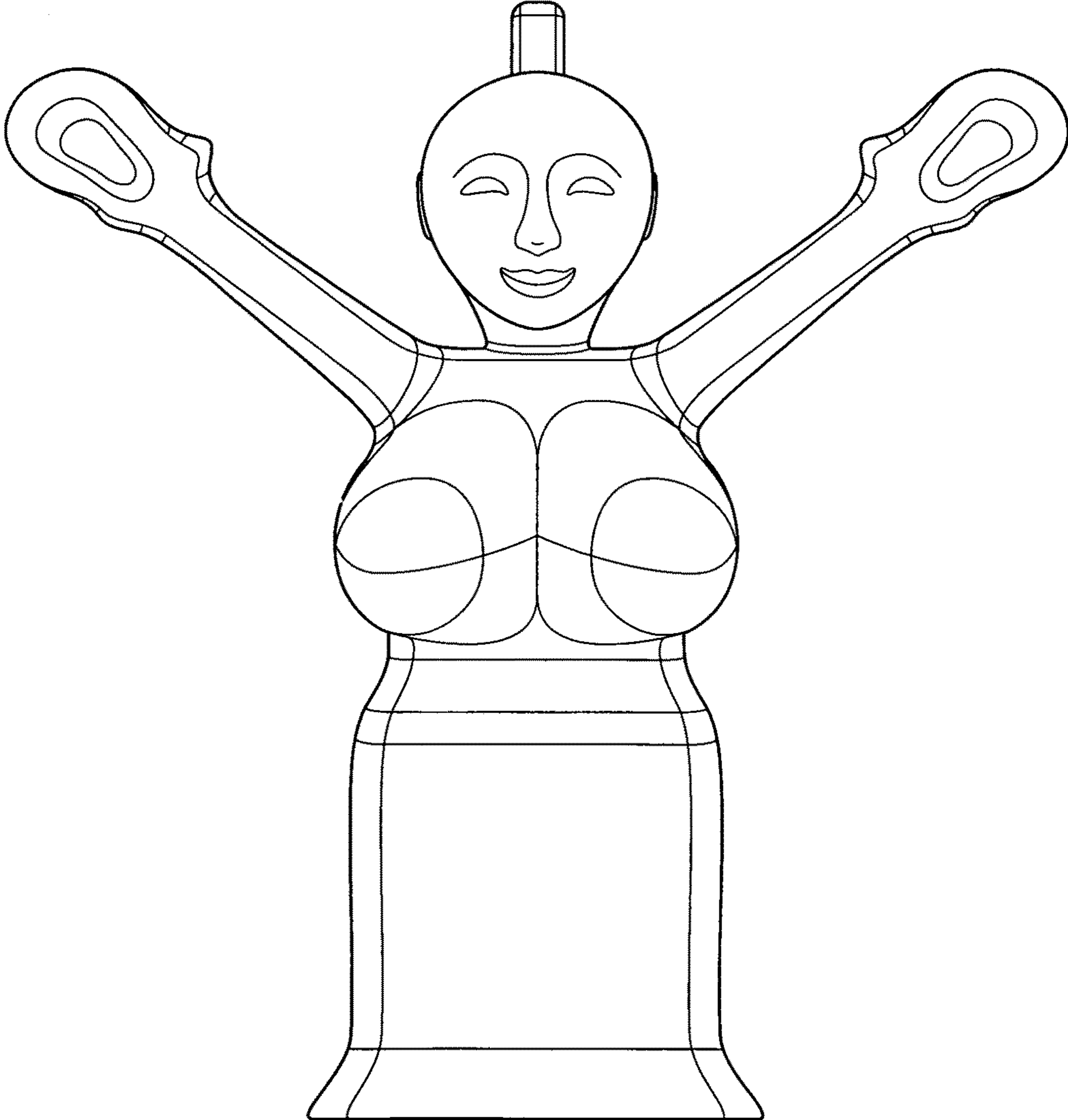


FIG. 2

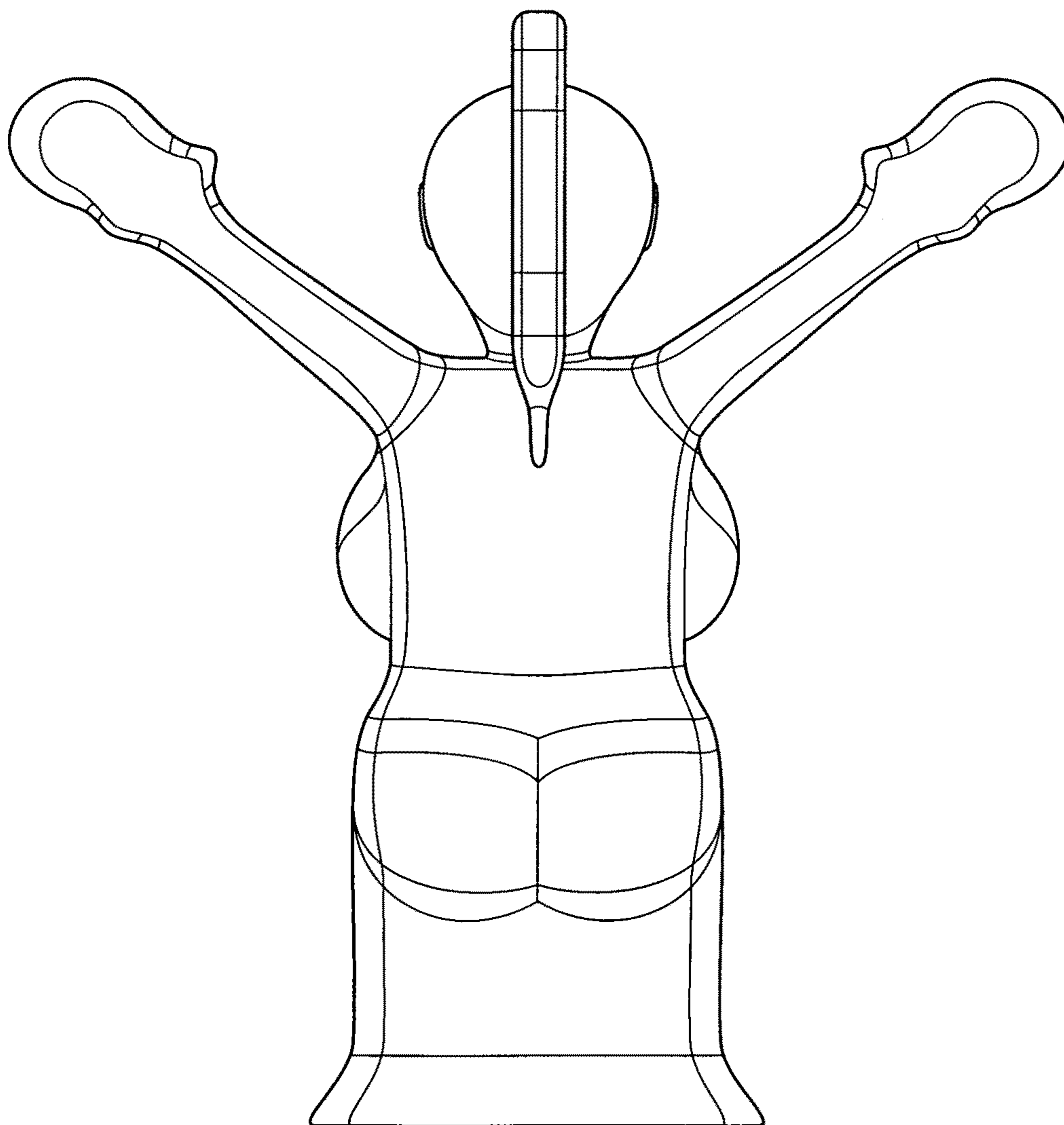


FIG. 3

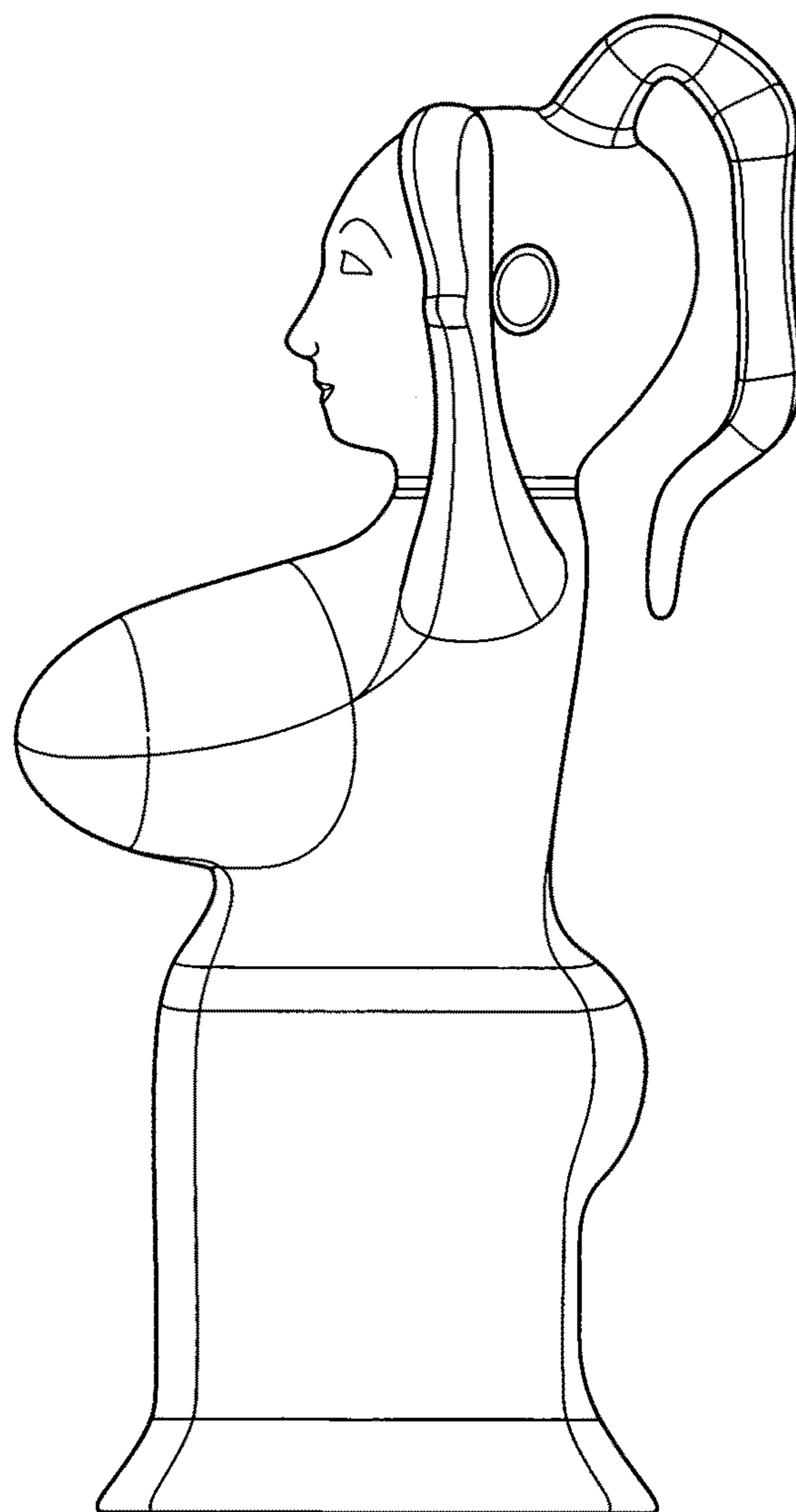


FIG. 4

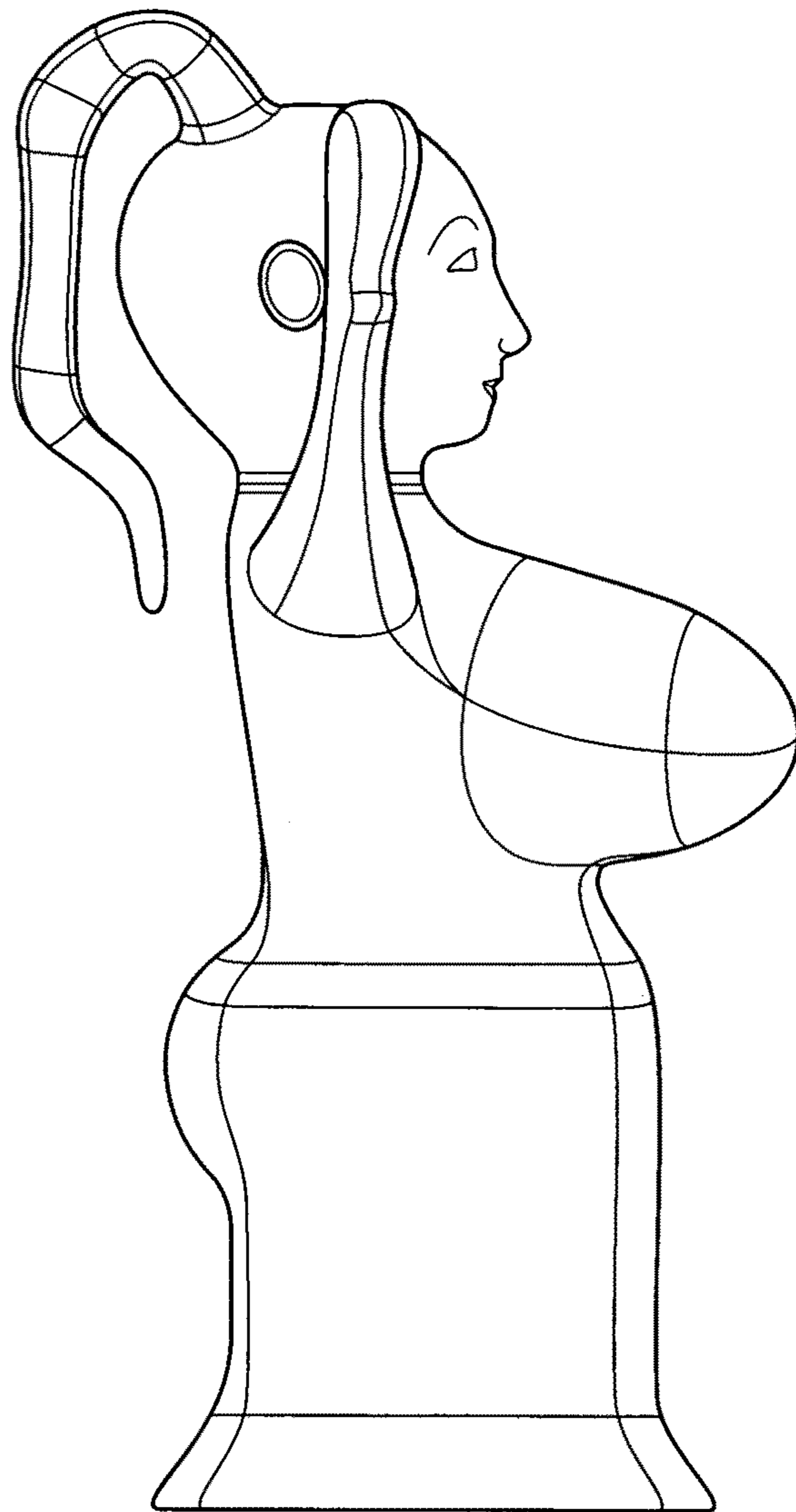


FIG. 5

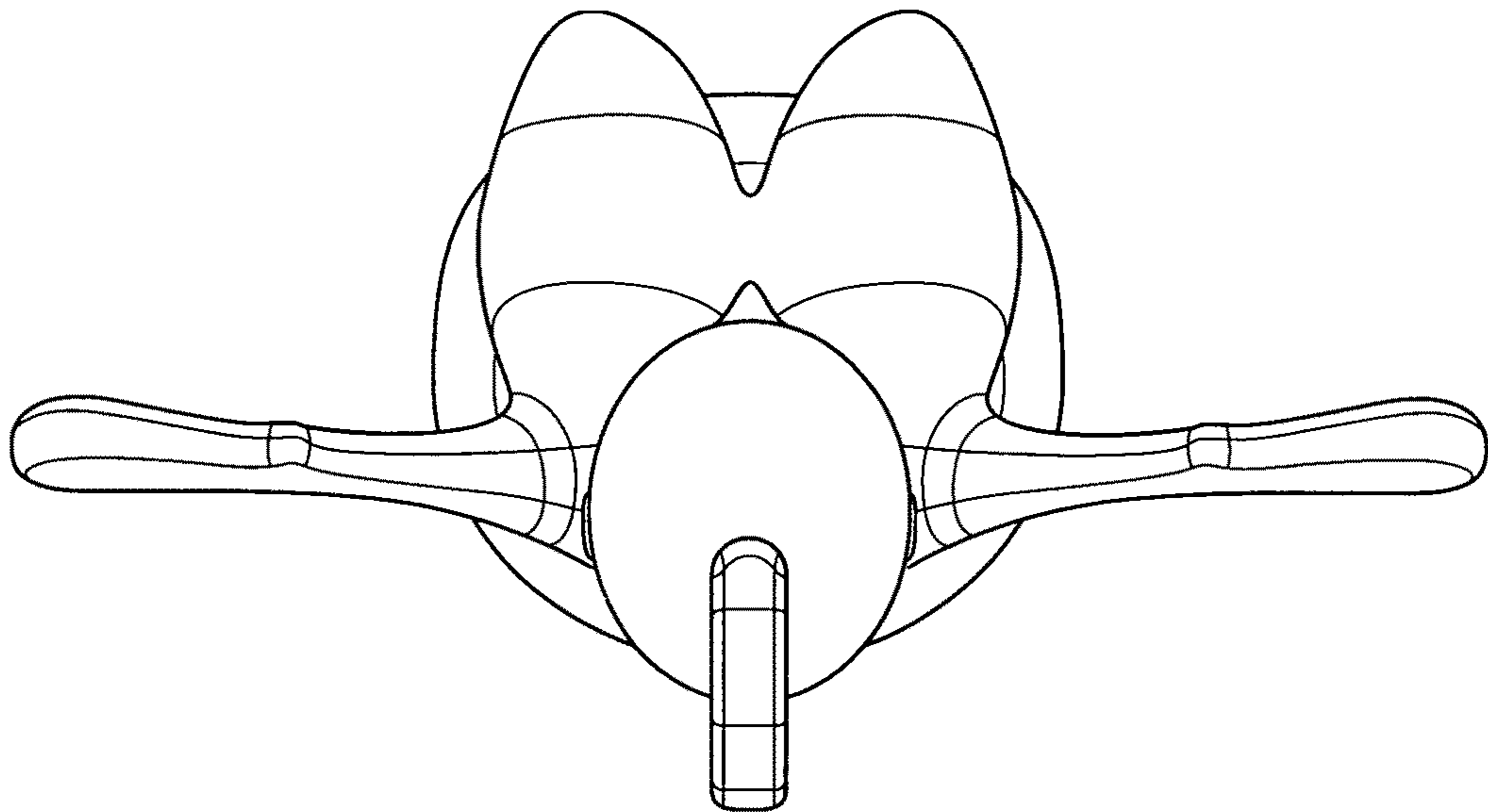


FIG. 6

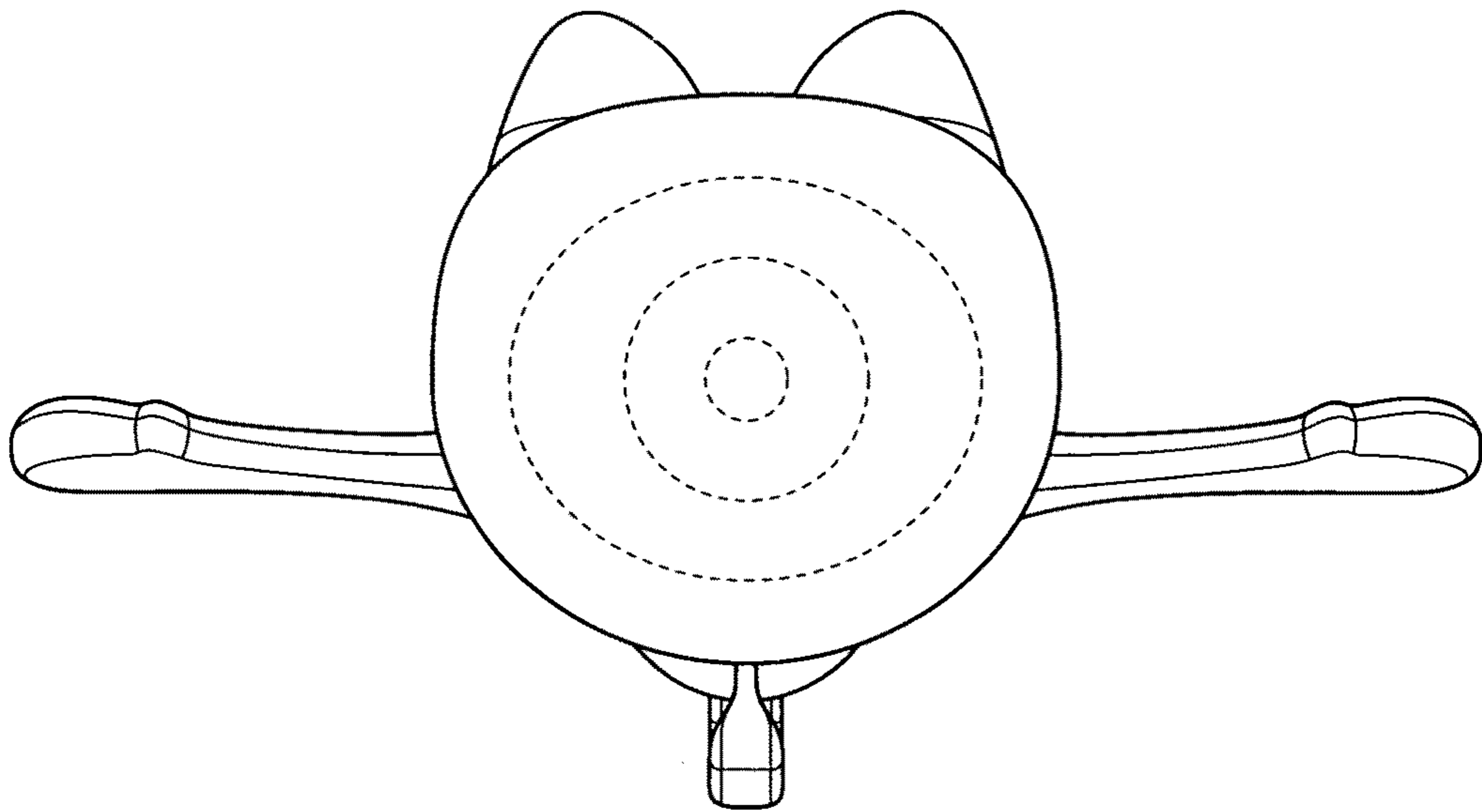


FIG. 7