



US00D742223S

(12) **United States Design Patent**
Tyberghein et al.

(10) **Patent No.:** **US D742,223 S**

(45) **Date of Patent:** **** Nov. 3, 2015**

(54) **PLASTIC CARRY OUT FOOD CONTAINER**

(71) Applicant: **Anchor Packaging, Inc.**, Ballwin, MO (US)

(72) Inventors: **Michael Tyberghein**, Roswell, GA (US); **Kevin Krueger**, Fenton, MO (US)

(73) Assignee: **Anchor Packaging, Inc.**, Ballwin, MO (US)

(**) Term: **14 Years**

(21) Appl. No.: **29/462,702**

(22) Filed: **Aug. 7, 2013**

(51) **LOC (10) Cl.** **09-03**

(52) **U.S. Cl.**
USPC **D9/429**; D9/426; D9/428

(58) **Field of Classification Search**
USPC D9/414, 416, 417, 418, 420–431, D9/434–438, 440, 447, 454, 499, 904; D3/202, 203.3, 304, 302; D7/373, 503, D7/513, 517, 527, 541, 566, 602, 624.3, D7/402, 523, 672, 507, 545, 586, 587, 629, D7/630, 601, 619, 612, 615; 220/564, 220/560.09, 568; 206/223, 541, 501, 502, 206/503, 505, 508, 561, 564
CPC B65D 2543/00092; B65D 2543/00351; B65D 41/32; B65D 2251/105; B65D 2251/1058; B65D 43/163; B65D 2543/00027; B65D 2543/00194; B65D 2543/00296; B65D 2543/0024; B65D 2543/00805; B65D 41/16; B65D 43/0204

See application file for complete search history.

(56) **References Cited**

U.S. PATENT DOCUMENTS

4,563,561 A * 1/1986 Vaeth et al. 219/735
D299,106 S * 12/1988 Pomroy D7/325

D469,319 S * 1/2003 Pettaweebuncha D7/629
D475,620 S * 6/2003 Chen et al. D9/425
D513,383 S * 1/2006 Glander et al. D9/435
D531,502 S * 11/2006 Gomoll et al. D9/435
D546,632 S * 7/2007 Oberloier D7/629
D549,050 S * 8/2007 Spencer et al. D7/538
D660,147 S * 5/2012 Snedden et al. D9/435
D663,633 S * 7/2012 Rivera et al. D9/737
D688,551 S * 8/2013 Wahl D9/426
D688,941 S * 9/2013 Sifuentes et al. D9/432
D693,647 S * 11/2013 Seyers et al. D7/587
D694,103 S * 11/2013 Durdon et al. D9/425
D703,042 S * 4/2014 Kalmanides D9/435
D706,621 S * 6/2014 Tuchrelo et al. D9/425
2011/0210033 A1 * 9/2011 Chhay 206/505

* cited by examiner

Primary Examiner — Philip S Hyder

Assistant Examiner — Keith Frank

(74) *Attorney, Agent, or Firm* — Don V. Kelly; Evans & Dixon, L.L.C.

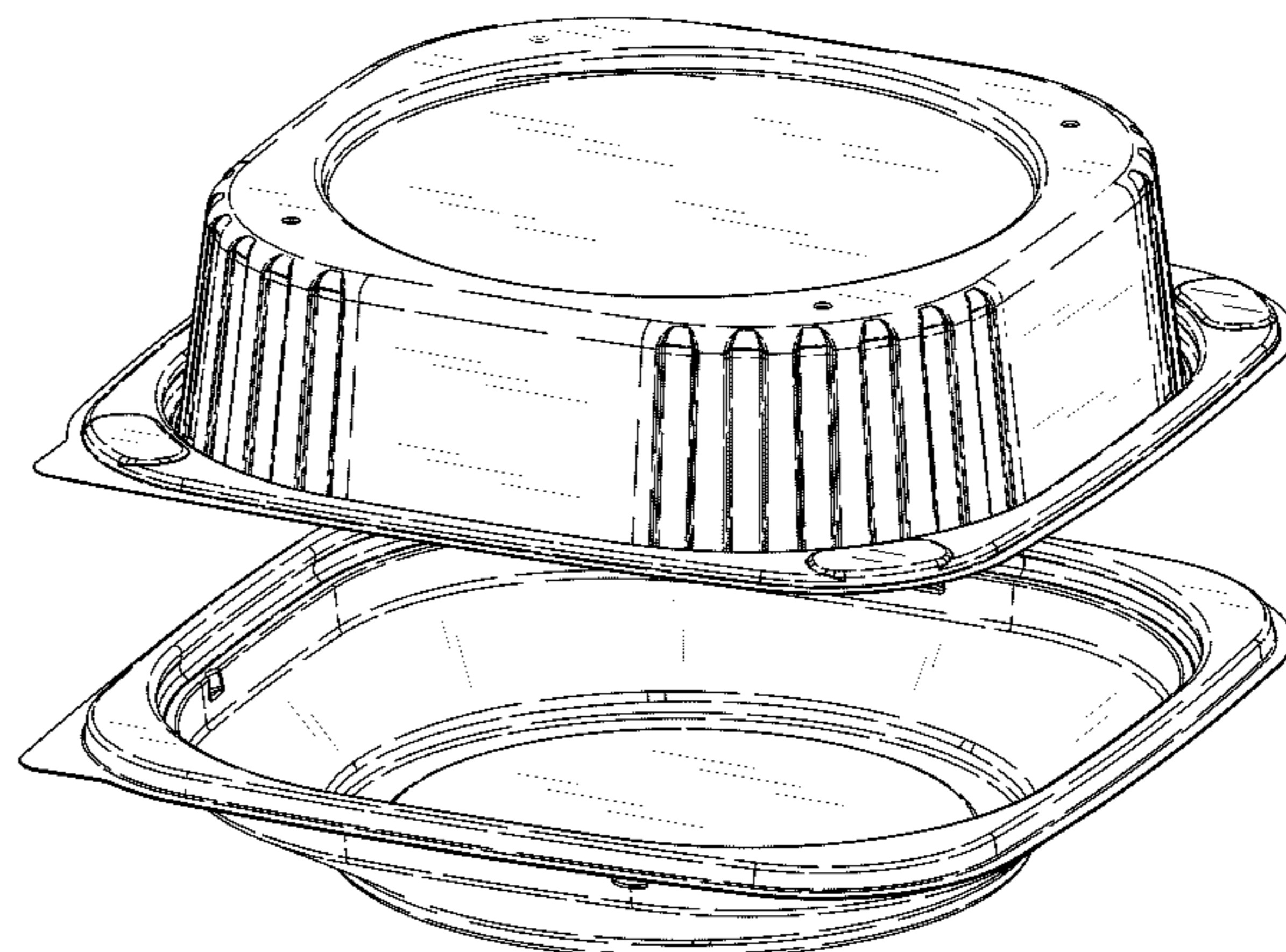
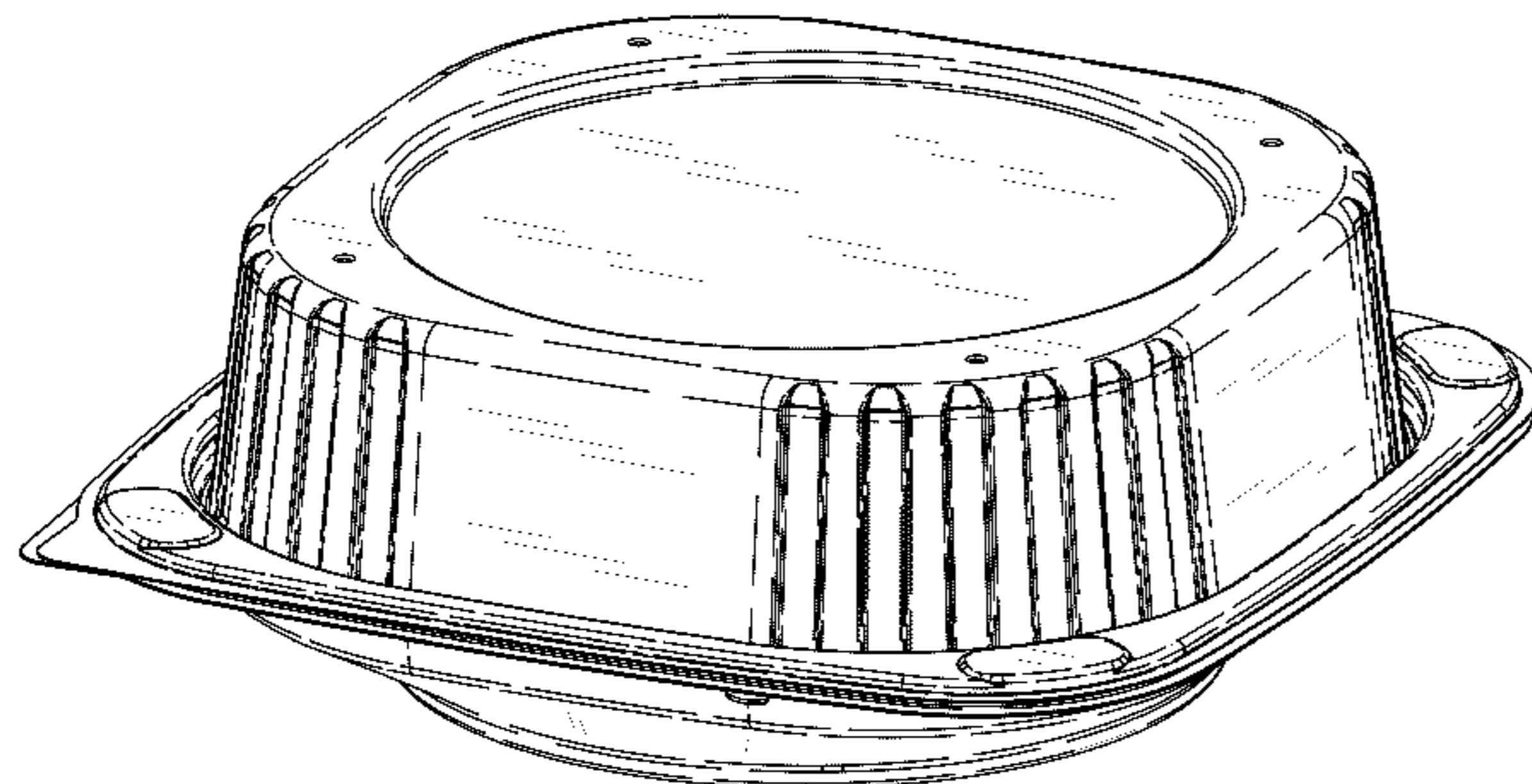
(57) **CLAIM**

The ornamental design for a plastic carry out food container, as shown and described.

DESCRIPTION

FIG. 1 is a front perspective view of a plastic carry out food container showing the new design;
FIG. 2 is an exploded front perspective view thereof with the lid detached from the base for clarity of illustration;
FIG. 3 is a front elevation view thereof with the base having the lid secured thereon;
FIG. 4 is a right side elevation view thereof with the base having the lid secured thereon;
FIG. 5 is top plan view thereof with the base having the lid secured thereon;
FIG. 6 is a bottom plan view thereof with the base having the lid secured thereon; and,
FIG. 7 is a perspective plan view at the bottom thereof with the base having the lid secured thereon.

1 Claim, 7 Drawing Sheets



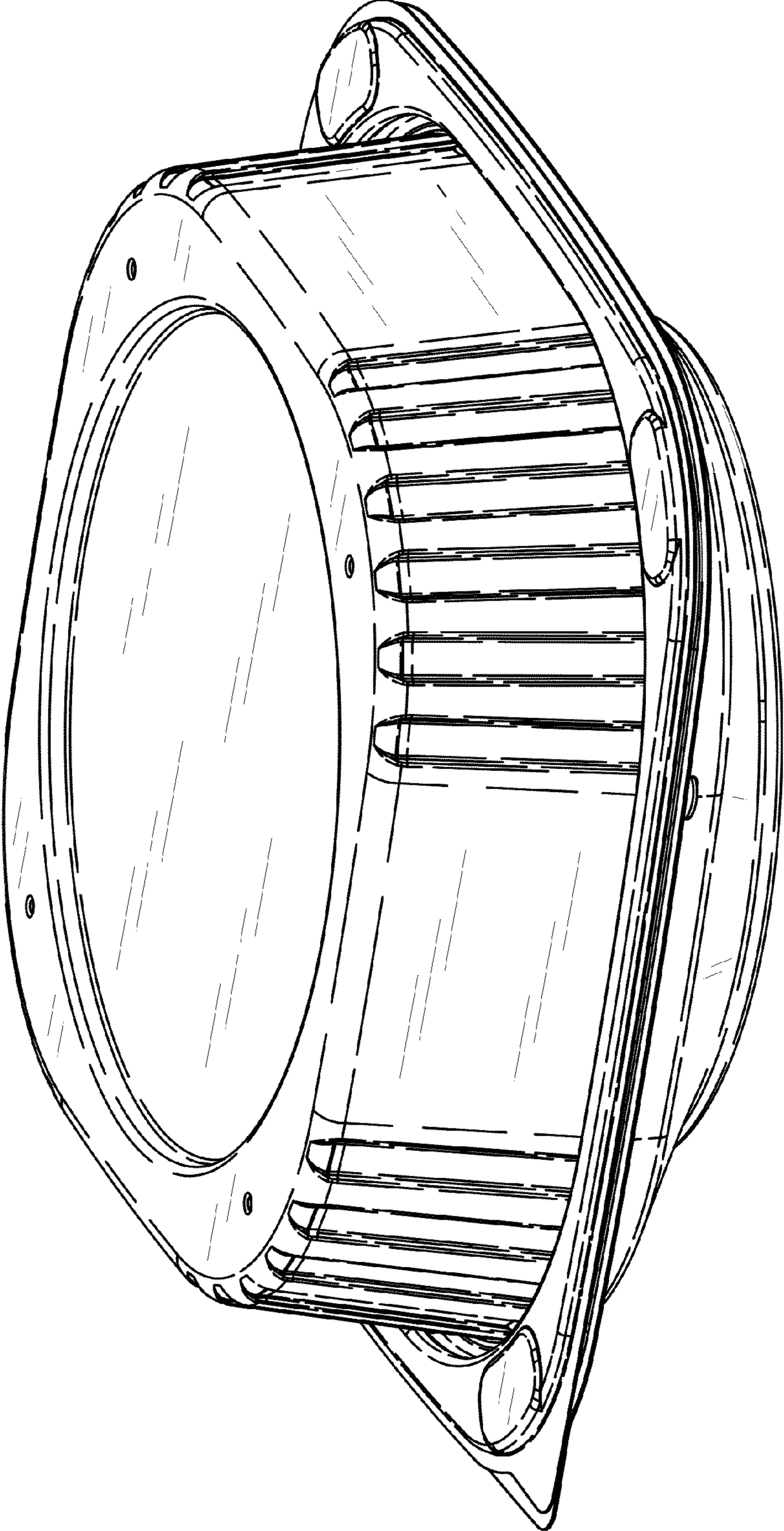


FIGURE 1

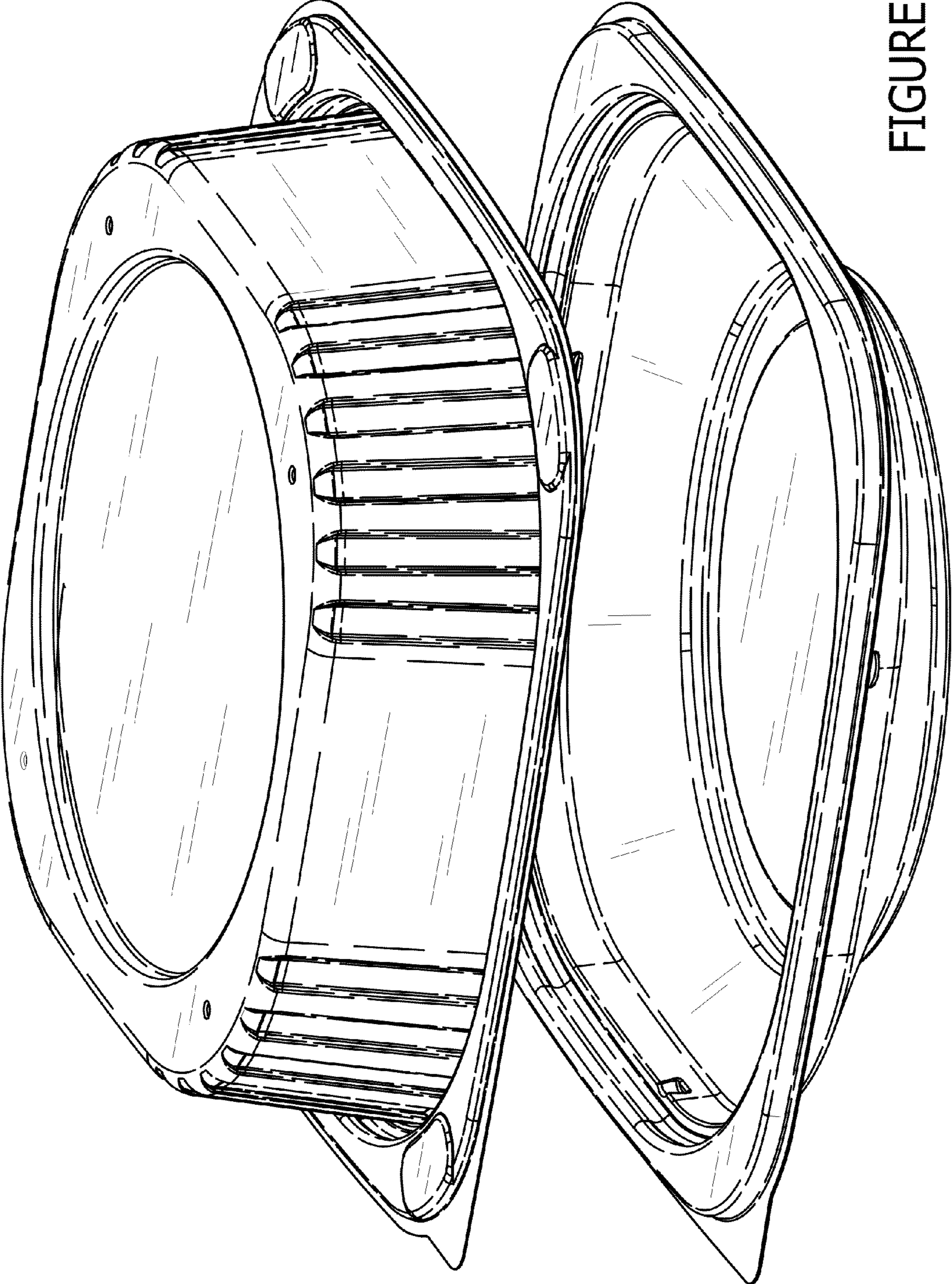


FIGURE 2

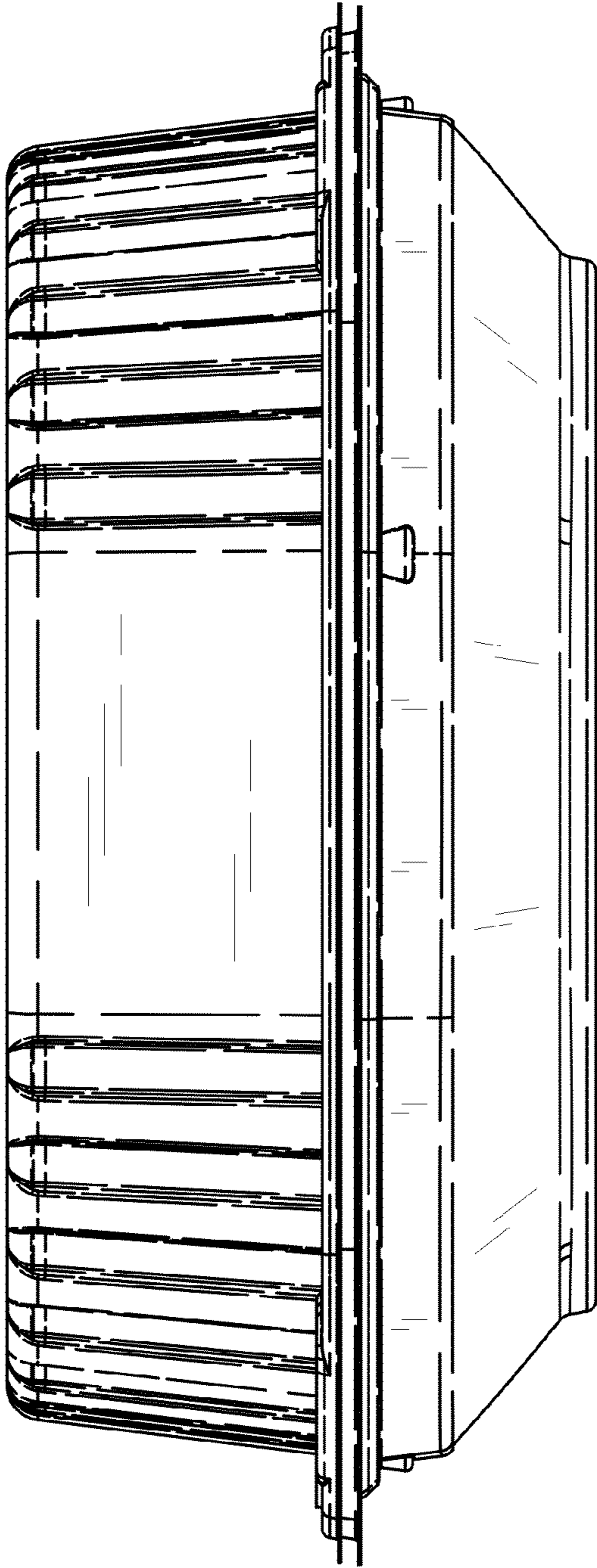


FIGURE 3

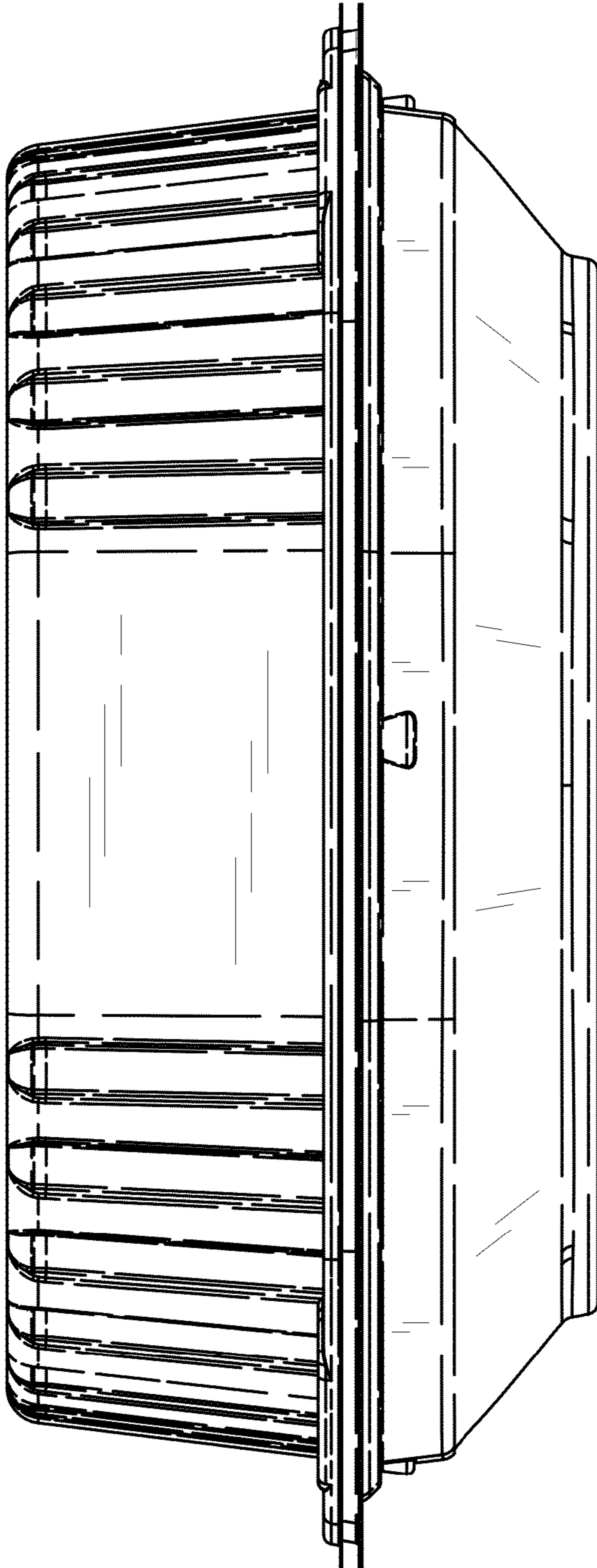


FIGURE 4

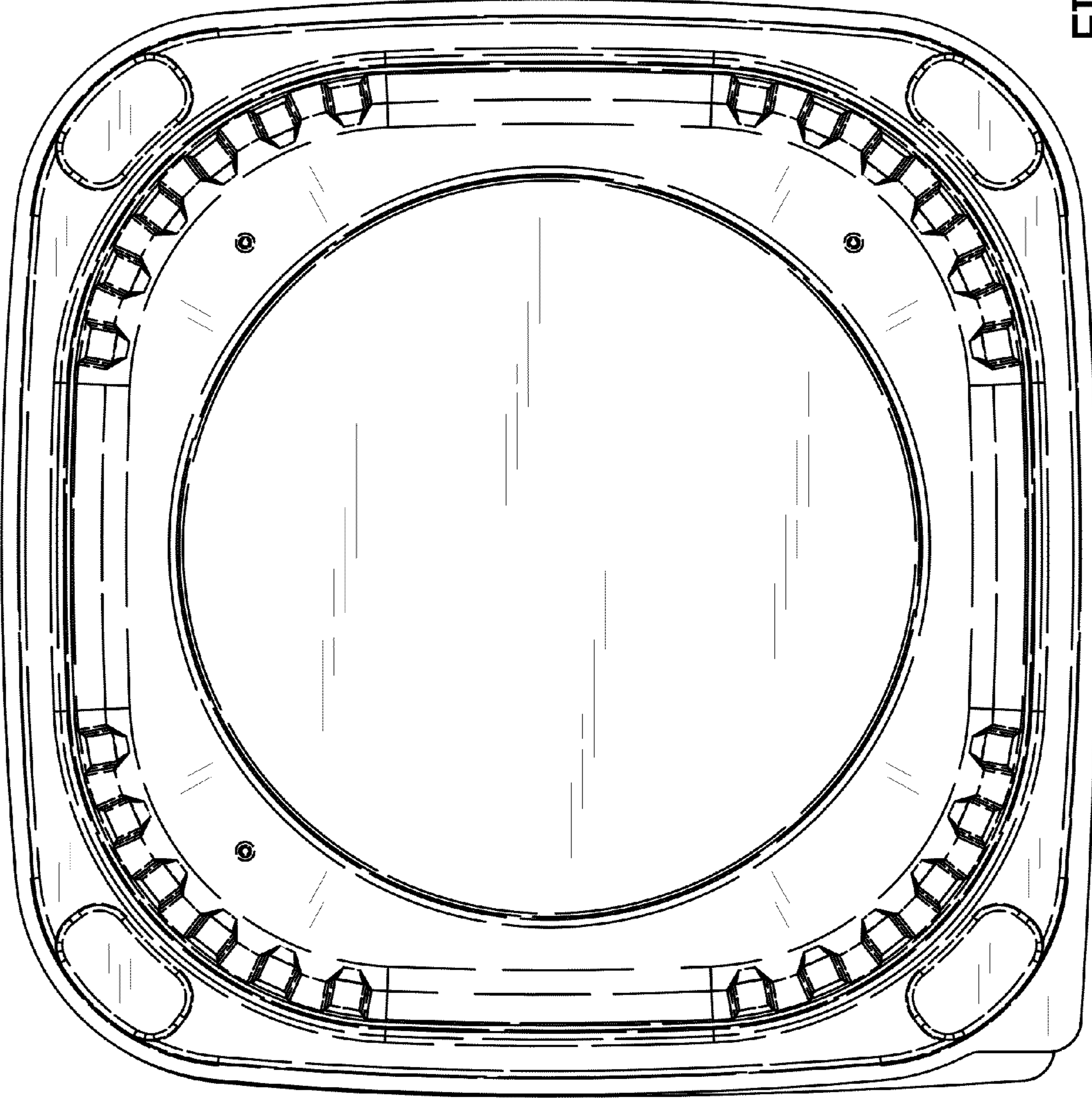


FIGURE 5

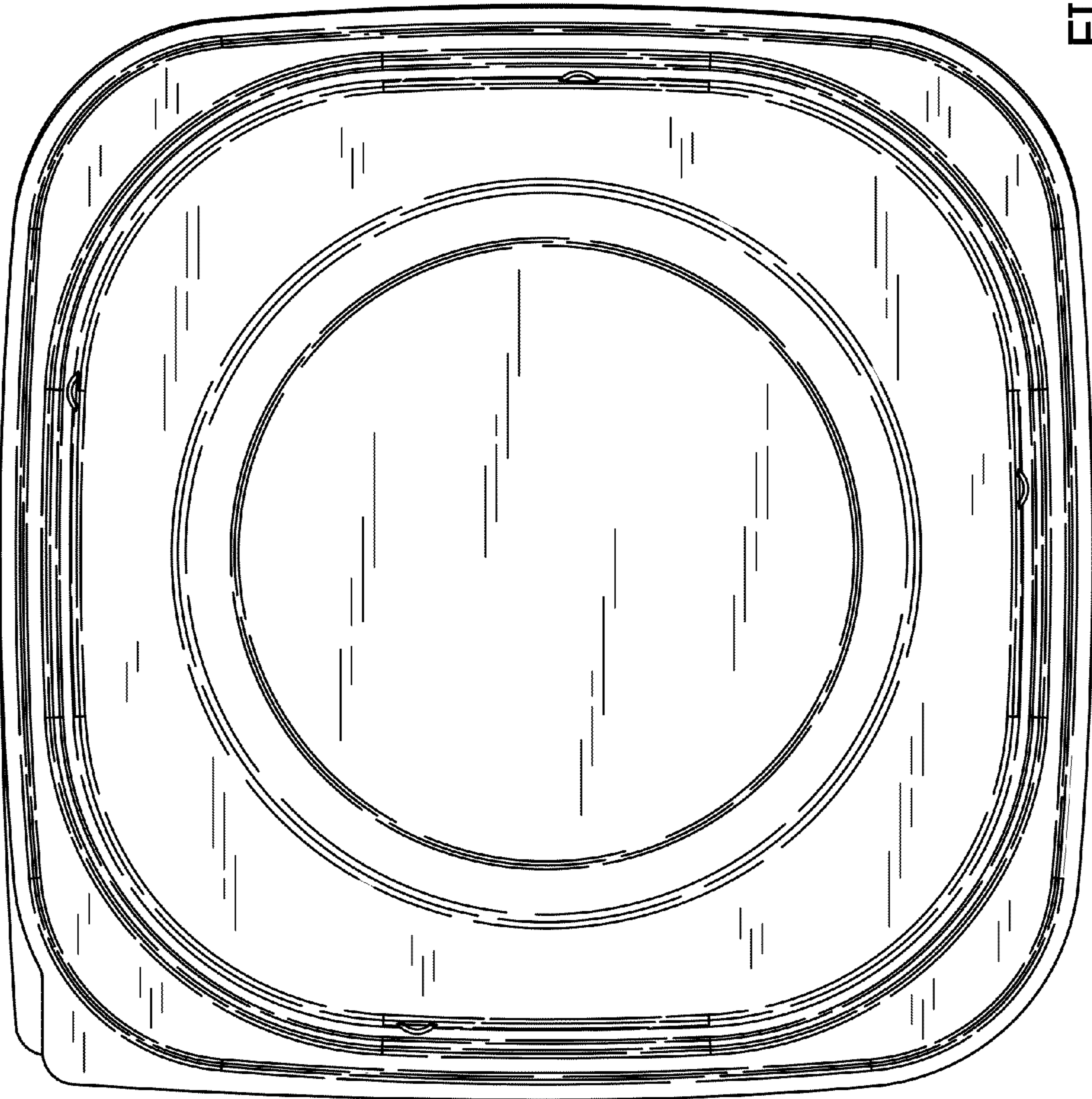


FIGURE 6

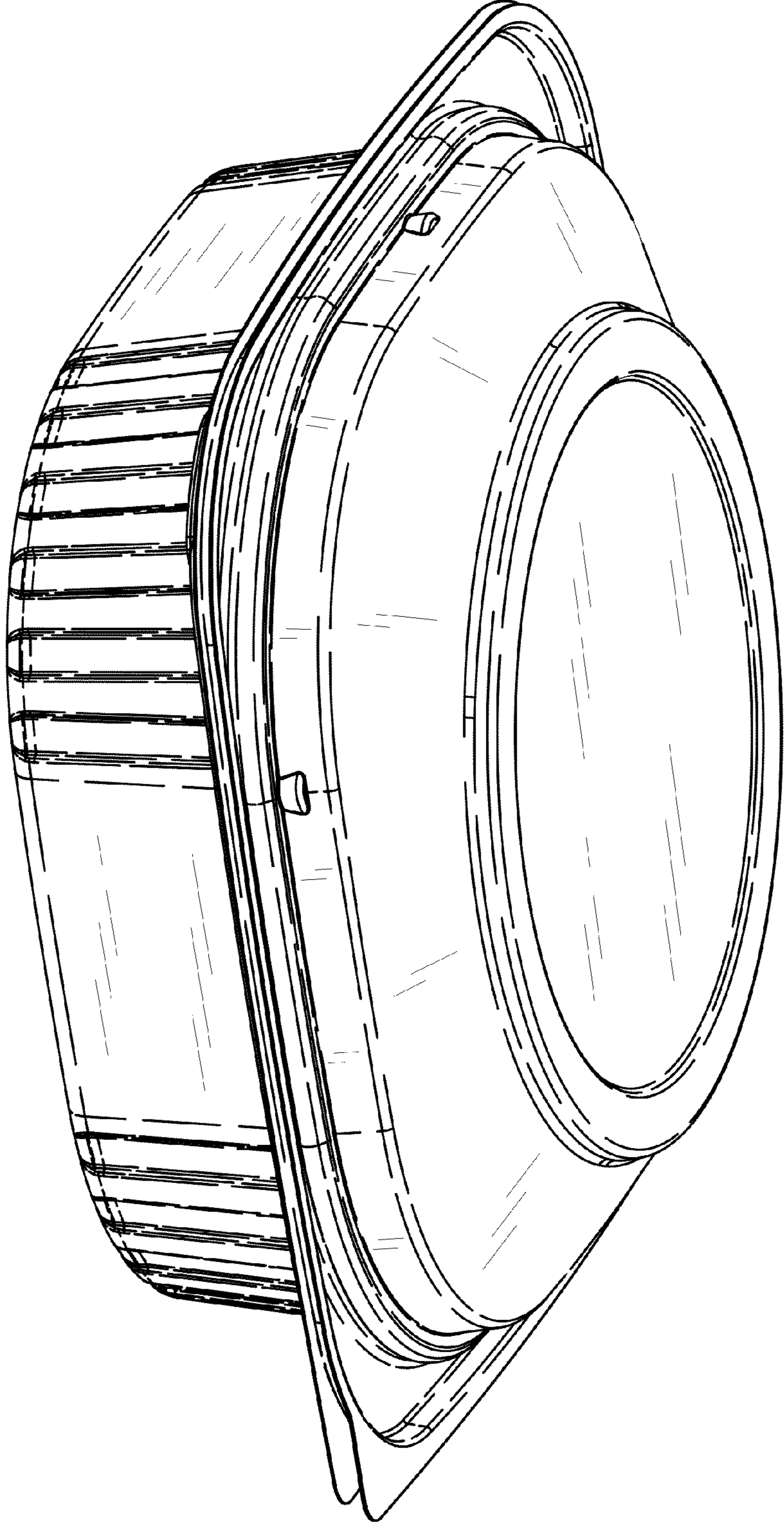


FIGURE 7