



US00D742220S

(12) **United States Design Patent**  
**Eyerman et al.**

(10) **Patent No.:** **US D742,220 S**  
(45) **Date of Patent:** **\*\* Nov. 3, 2015**

(54) **PACKAGING**

- (71) Applicant: **OTTER PRODUCTS, LLC**, Fort Collins, CO (US)
- (72) Inventors: **James V. Eyerman**, Fort Collins, CO (US); **John P. Fitzgerald**, Fort Collins, CO (US); **Christopher J. Melanson**, Fort Collins, CO (US)
- (73) Assignee: **OTTER PRODUCTS, LLC**, Fort Collins, CO (US)
- (\*\*) Term: **14 Years**
- (21) Appl. No.: **29/500,103**
- (22) Filed: **Aug. 21, 2014**
- (51) **LOC (10) Cl.** ..... **09-03**
- (52) **U.S. Cl.**  
USPC ..... **D9/426**

- (58) **Field of Classification Search**  
USPC ..... D9/414, 420, 422, 425, 426, 430, 432, D9/456, 737, 759, 760; D7/553.1, 553.2, D7/554.3; 206/216, 463, 467, 469, 470, 206/471, 486, 553, 557, 561, 562, 564, 565, 206/570; 220/500, 675  
CPC ..... B65D 1/36; B65D 75/366; B65D 1/0223; B65D 1/34; B65D 75/327; B65D 2543/00296; B65D 79/005; B65D 73/0092; B65D 75/32; B65D 75/36; B65D 43/162; B65D 71/70; B65D 75/22; B65D 75/367; B65D 2543/00194; B65D 75/322; B65D 1/40; B65D 2571/0066; B65D 5/503; B65D 81/3453; B65D 81/3216; B65D 81/025; B65D 81/133; B65D 2519/00069; B65D 2543/00101; B65D 2571/0029; B65D 2519/00174; B65D 2519/00288; B65D 75/323; B65D 2519/00268; B65D 5/528; B65D 75/26; B65D 2519/00318

See application file for complete search history.

(56) **References Cited**

U.S. PATENT DOCUMENTS

3,968,921	A *	7/1976	Jewell .....	B65D 43/164 220/836
5,540,324	A *	7/1996	Knapp .....	A45C 11/16 206/348
5,653,335	A *	8/1997	Bauer .....	G11B 33/045 206/307.1
8,011,510	B1 *	9/2011	Smith, II .....	B65D 43/162 206/449
8,393,377	B2	3/2013	Patel et al.	
8,602,216	B1 *	12/2013	Lin .....	B65D 85/00 206/464
D735,573	S *	8/2015	Jondal .....	D9/426
2006/0213800	A1 *	9/2006	Ballard .....	B65D 43/162 206/470
2009/0321304	A1 *	12/2009	Watson .....	B65D 75/24 206/703
2012/0037534	A1 *	2/2012	Omage .....	B65D 43/12 206/557
2012/0325714	A1 *	12/2012	Hansen .....	B65D 75/322 206/463

\* cited by examiner

*Primary Examiner* — Derrick Holland

*Assistant Examiner* — Lauren Calve

(57) **CLAIM**

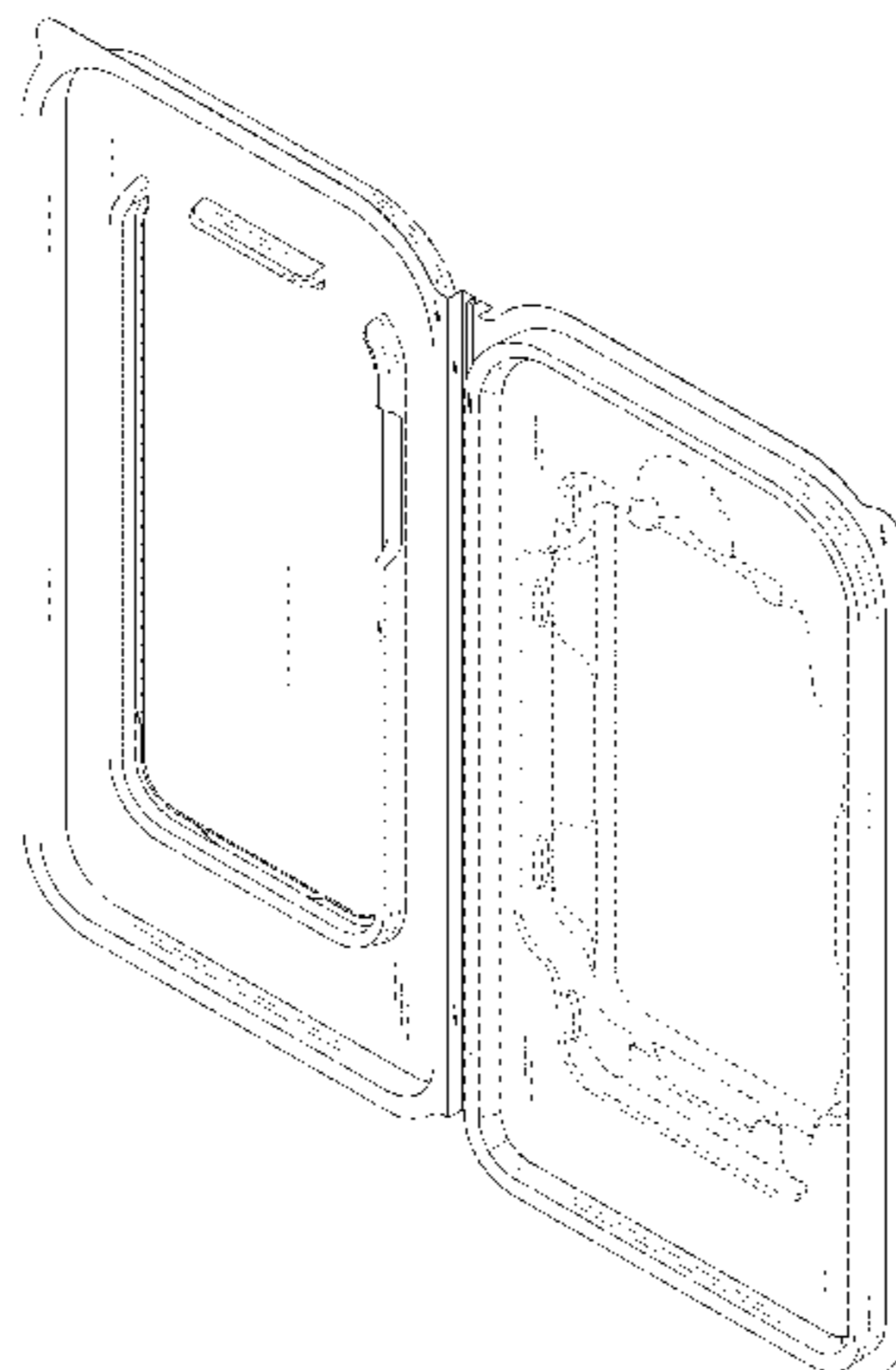
The ornamental design for packaging, as shown and described.

**DESCRIPTION**

FIG. 1 is a first front isometric view of a packaging showing our new design;  
 FIG. 2 is a second front isometric view thereof;  
 FIG. 3 is a first rear isometric view thereof;  
 FIG. 4 is a second rear isometric view thereof;  
 FIG. 5 is a front view thereof;  
 FIG. 6 is a rear view thereof;  
 FIG. 7 is a left view thereof;  
 FIG. 8 is a right view thereof;  
 FIG. 9 is a top view thereof; and,  
 FIG. 10 is a bottom view thereof.

The broken lines represent unclaimed subject matter and form no part of the claimed design.

**1 Claim, 8 Drawing Sheets**



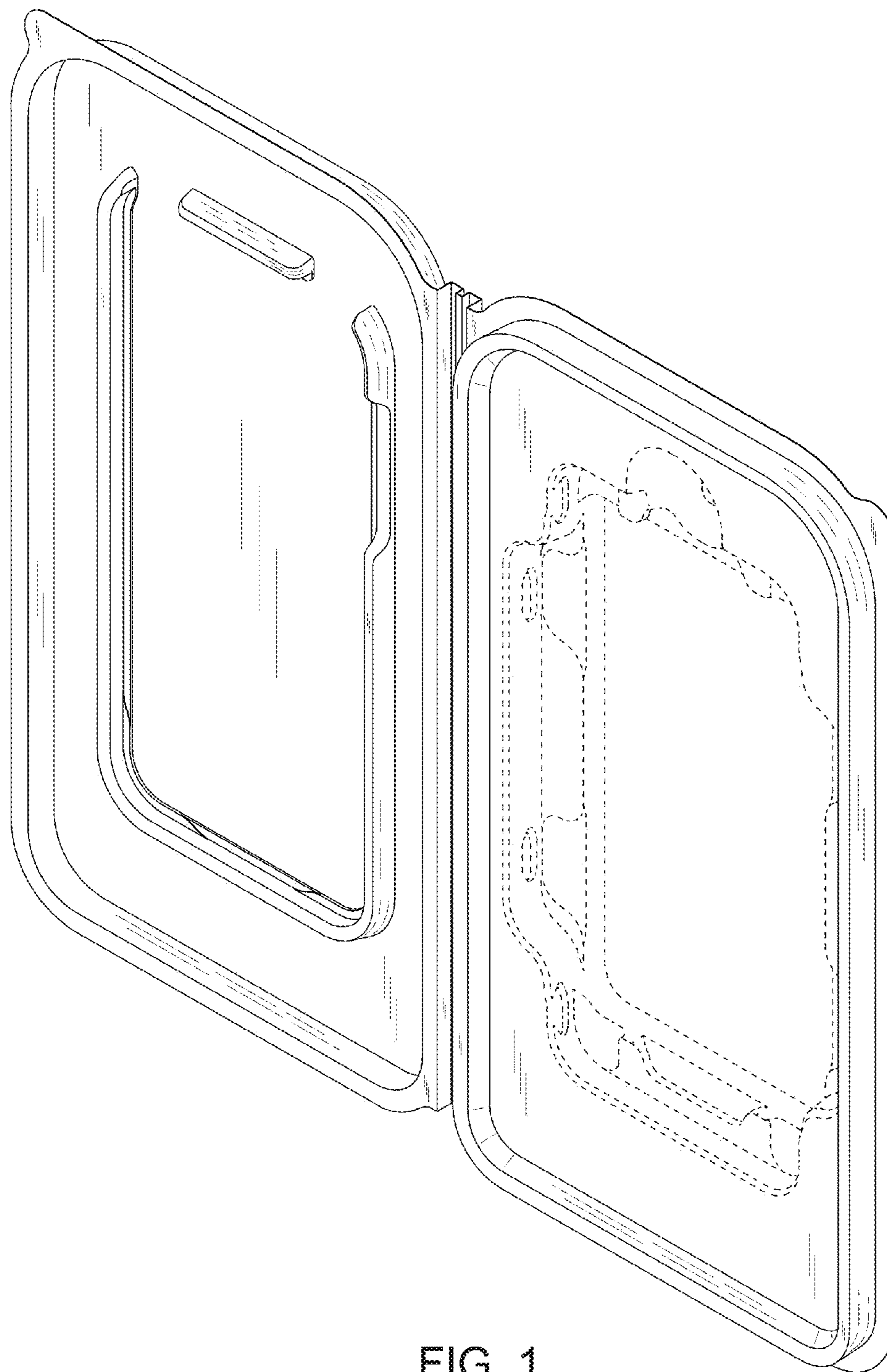


FIG. 1

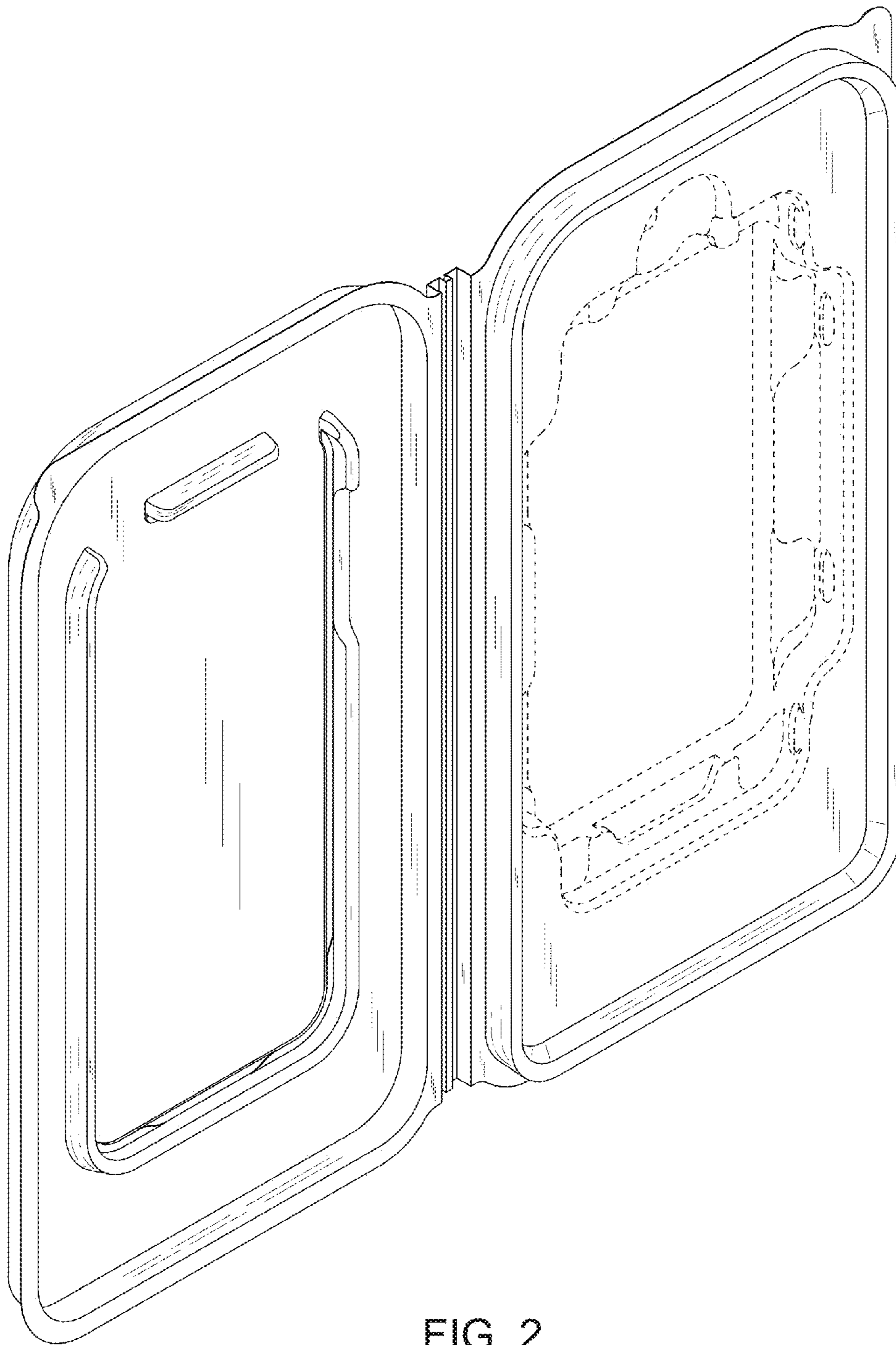


FIG. 2

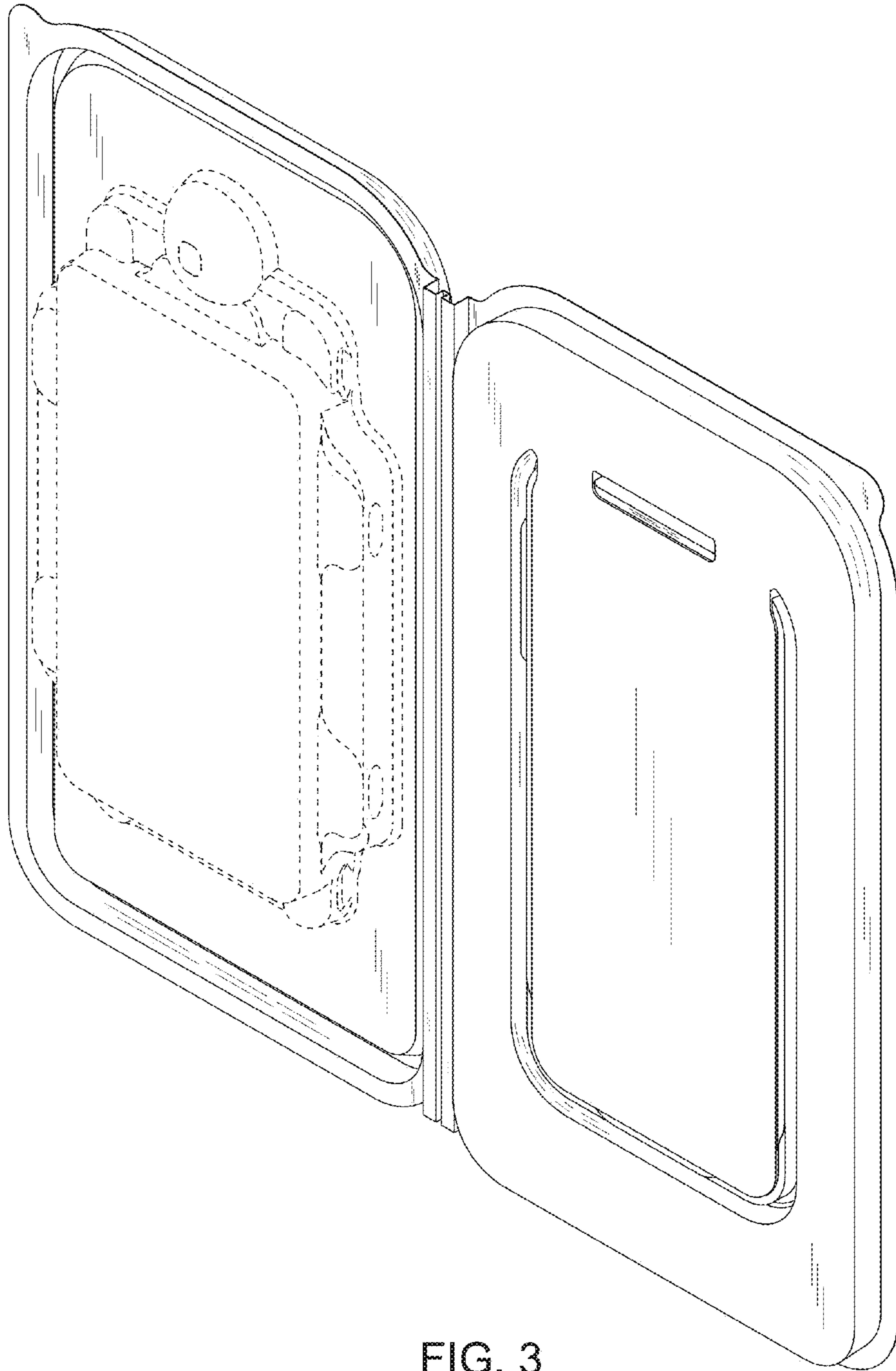


FIG. 3

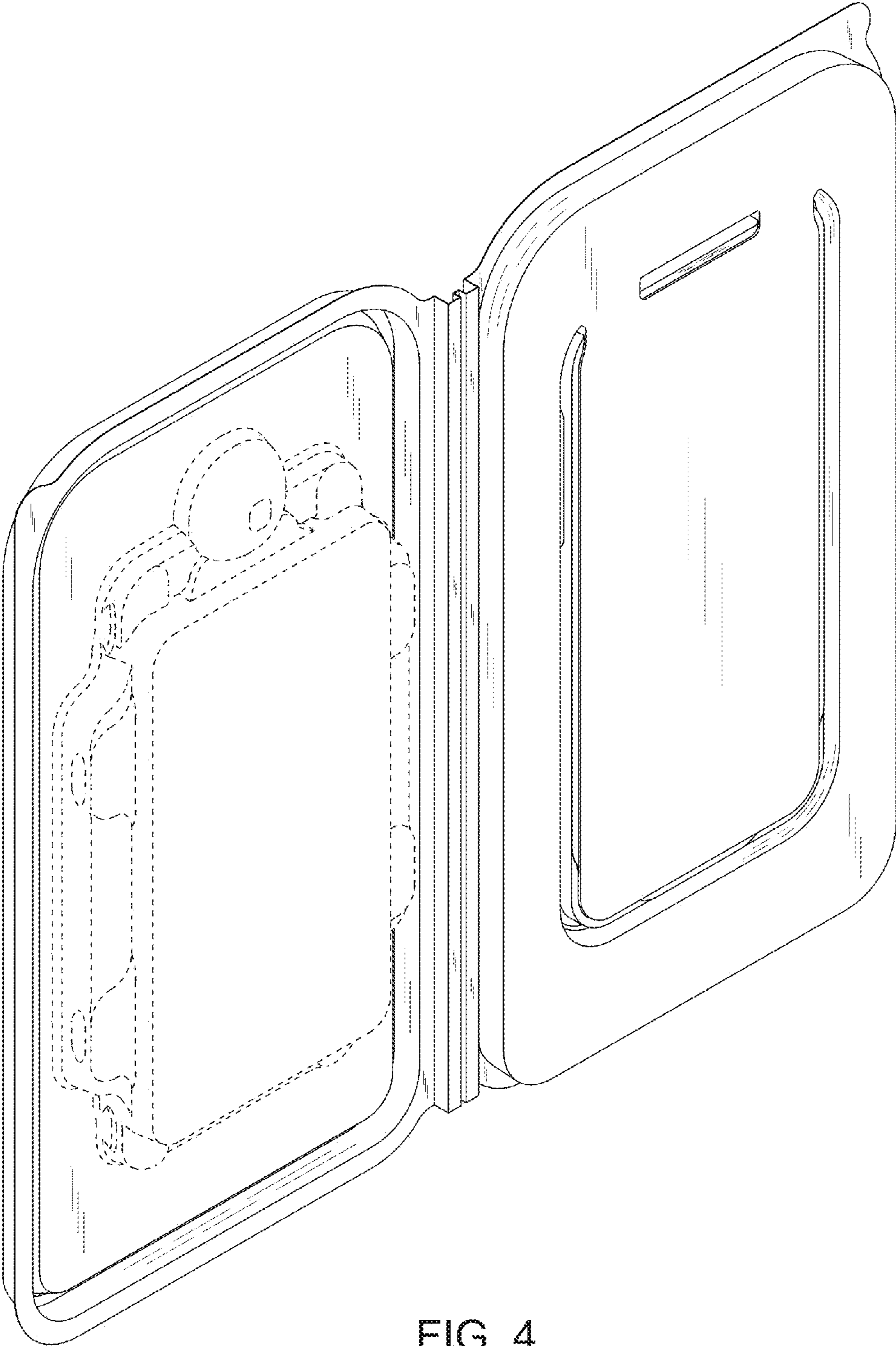


FIG. 4

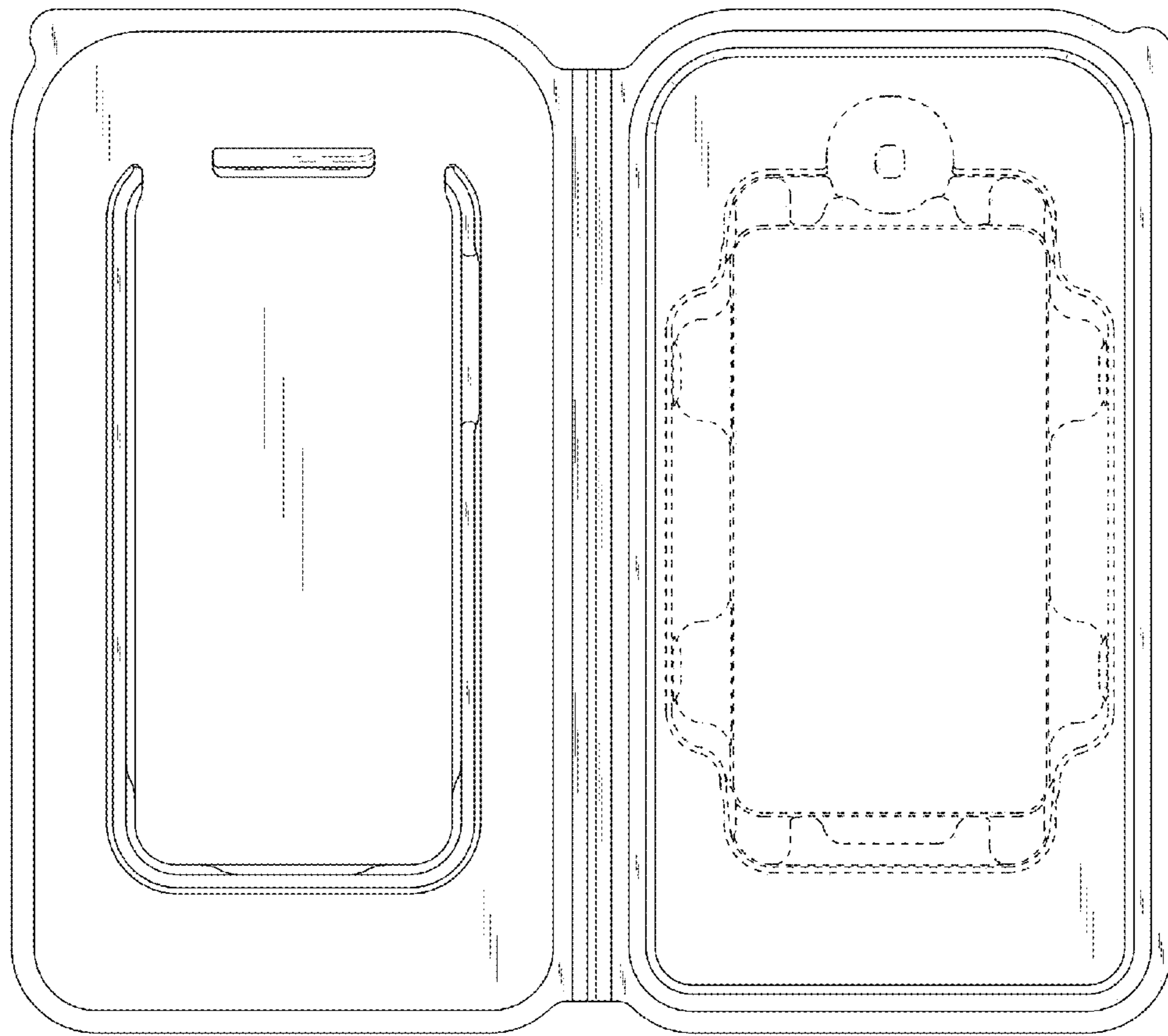


FIG. 5

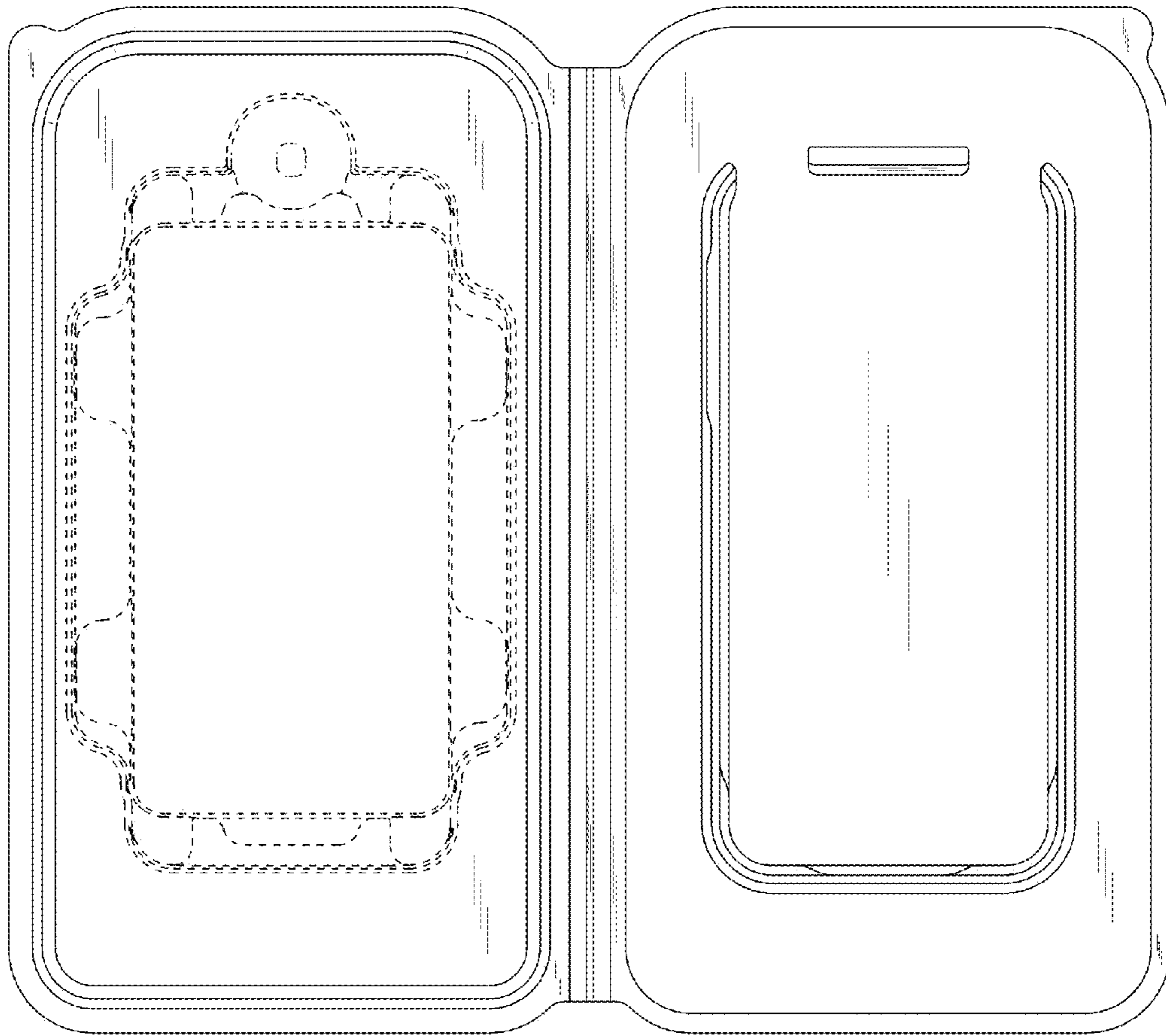


FIG. 6

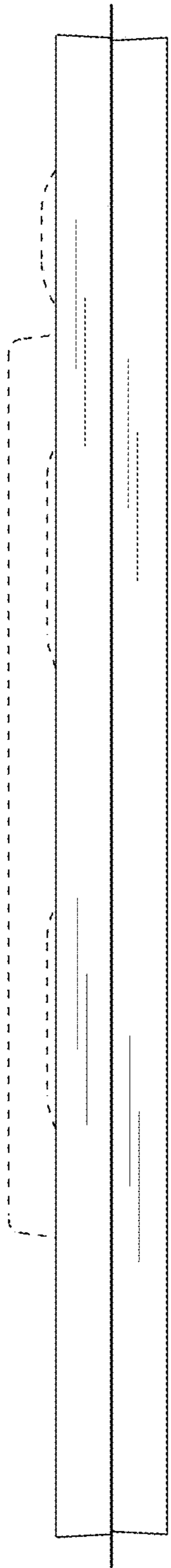


FIG. 7

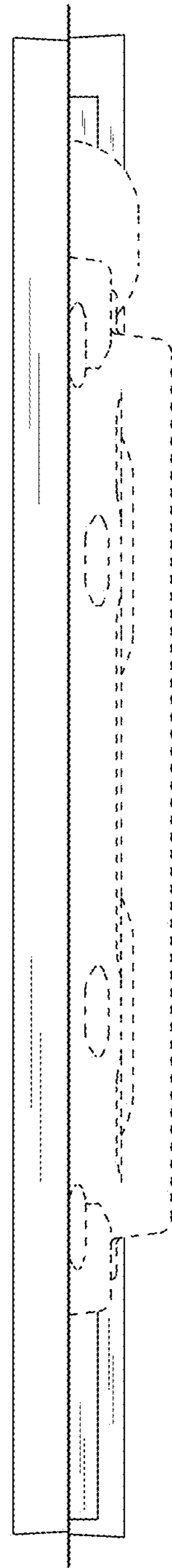


FIG. 8



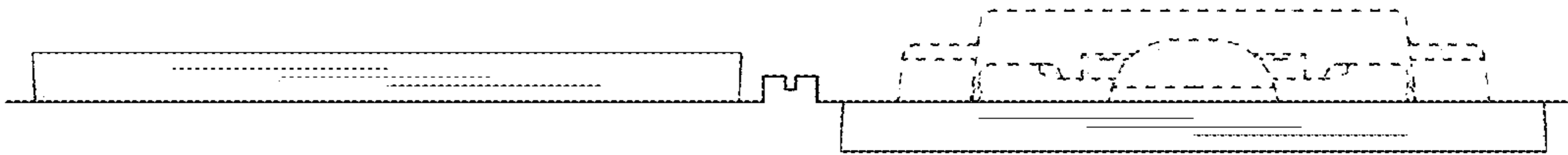


FIG. 9

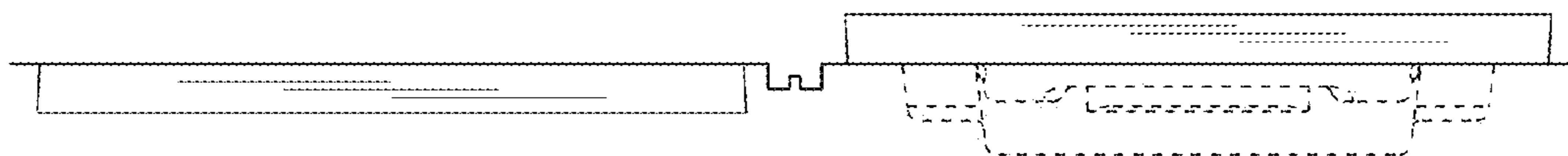


FIG. 10