



US00D742217S

(12) **United States Design Patent**
Bouveret

(10) **Patent No.:** **US D742,217 S**
(45) **Date of Patent:** **** Nov. 3, 2015**

- (54) **CONTAINER WITH LID**
- (71) Applicant: **NORTH AMERICA I.M.L.**
CONTAINERS, St-Placide (CA)
- (72) Inventor: **Nicolas Bouveret, Mirabel (CA)**
- (73) Assignee: **NORTH AMERICA I.M.L.**
CONTAINERS, St-Placide, Quebec (CA)

4,946,038	A *	8/1990	Eaton	206/528
5,039,001	A *	8/1991	Kinigakis et al.	229/120
5,139,147	A *	8/1992	Sutherland	206/431
D369,971	S *	5/1996	Brauner et al.	D9/428
5,601,186	A *	2/1997	Van Hine et al.	206/141
5,782,376	A *	7/1998	Brauner et al.	220/669
5,855,275	A *	1/1999	Hunter et al.	206/429
D440,874	S *	4/2001	Shurtleff et al.	D9/425
D456,707	S *	5/2002	Agarwal	D9/717
D490,311	S *	5/2004	Timm	D9/434
7,549,551	B2 *	6/2009	Tyberghein	220/23.4

(Continued)

(**) Term: **14 Years**

Primary Examiner — Karen S Acker

(21) Appl. No.: **29/477,247**

Assistant Examiner — Wendy Arminio

(22) Filed: **Dec. 20, 2013**

(74) *Attorney, Agent, or Firm* — Norton Rose Fulbright
Canada LLP

(51) **LOC (10) Cl.** **09-03**

(52) **U.S. Cl.**
USPC **D9/425**

(58) **Field of Classification Search**
USPC D9/414, 415, 416, 417, 419, 421, 424,
D9/425, 428, 429; D7/318, 319, 619.1,
D7/629; 229/400–406, 906.1;
220/656–659, 669–675, 912,
220/4.21–4.27; 206/553, 557, 541, 775,
206/776, 217
CPC A47J 36/06; A47J 47/14; B65D 1/165;
B65D 15/08; B65D 21/083; B65D 21/0234;
B65D 43/162; B65D 71/50; B65D 77/24;
B65D 81/3869; B65D 2543/00046; B65D
2543/00055; B65D 2543/00083; B65D
2543/00092; B65D 2543/00296
See application file for complete search history.

(57) **CLAIM**

The ornamental design for a container with lid, as shown and described.

DESCRIPTION

FIG. 1 is a perspective view of a container with lid in accordance with the present design shown in a position of use; FIG. 2 is a perspective view of a container with lid in accordance with the present design; FIG. 3 is a top plan view of the container with lid of FIG. 2; FIG. 4 is a front view of the container with lid of FIG. 2; FIG. 5 is a rear view of the container with lid of FIG. 2; FIG. 6 is a right-side view of the container with lid of FIG. 2; FIG. 7 is a left-side view of the container with lid of FIG. 2; and, FIG. 8 is a bottom plan view of the container with lid of FIG. 2.

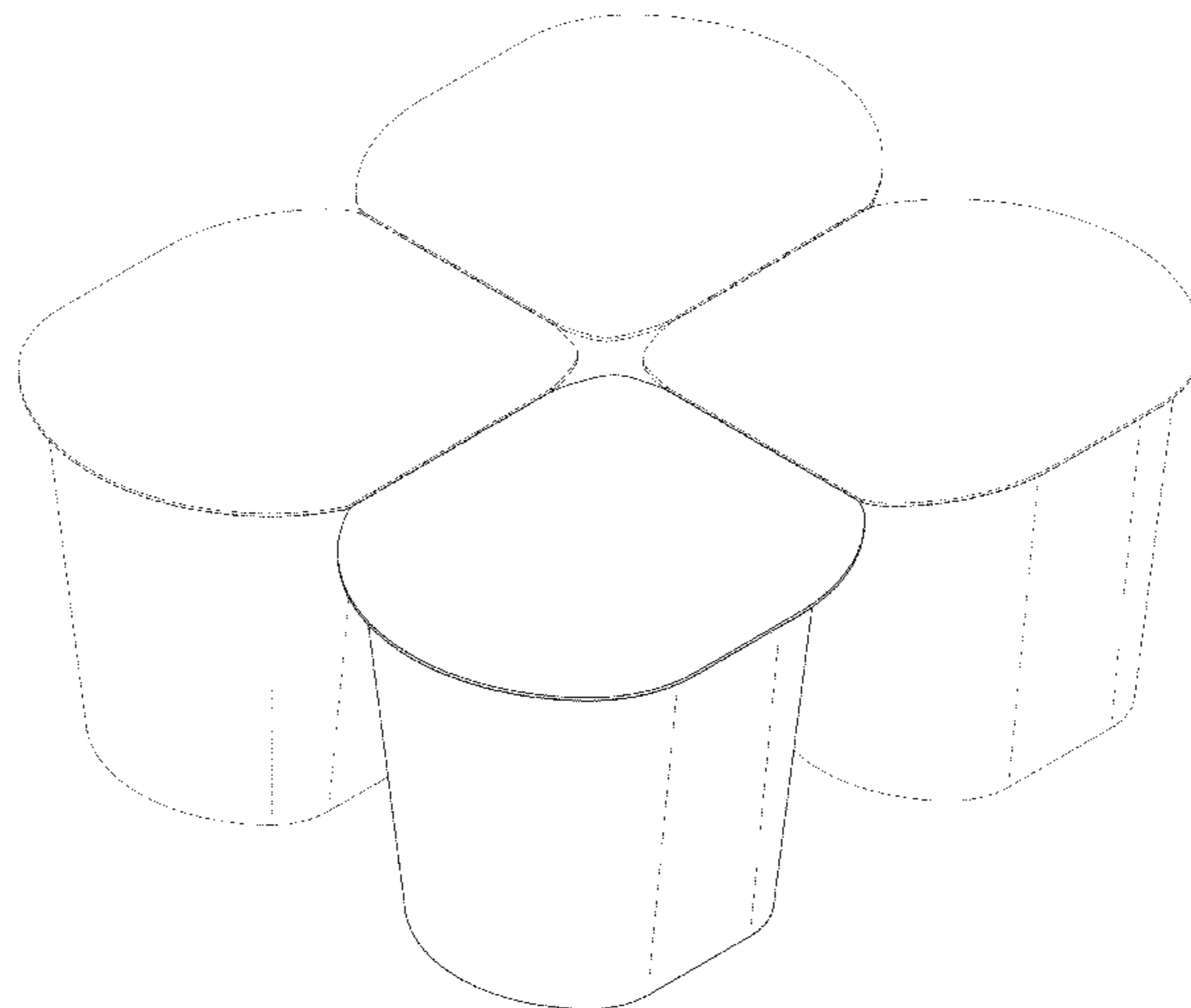
The broken lines showing three additional containers with lids in FIG. 1 depict environmental subject matter that forms no part of the claimed design. The broken lines in FIGS. 4-8 depict features of the container with lid that are not included in the claimed design.

(56) **References Cited**

U.S. PATENT DOCUMENTS

3,923,236	A *	12/1975	Calvert	206/434
D273,842	S *	5/1984	Jeannin	D9/758
D289,499	S *	4/1987	Drummond et al.	D9/429
4,844,328	A *	7/1989	Cooper	206/485.1

1 Claim, 5 Drawing Sheets



US D742,217 S

Page 2

(56)

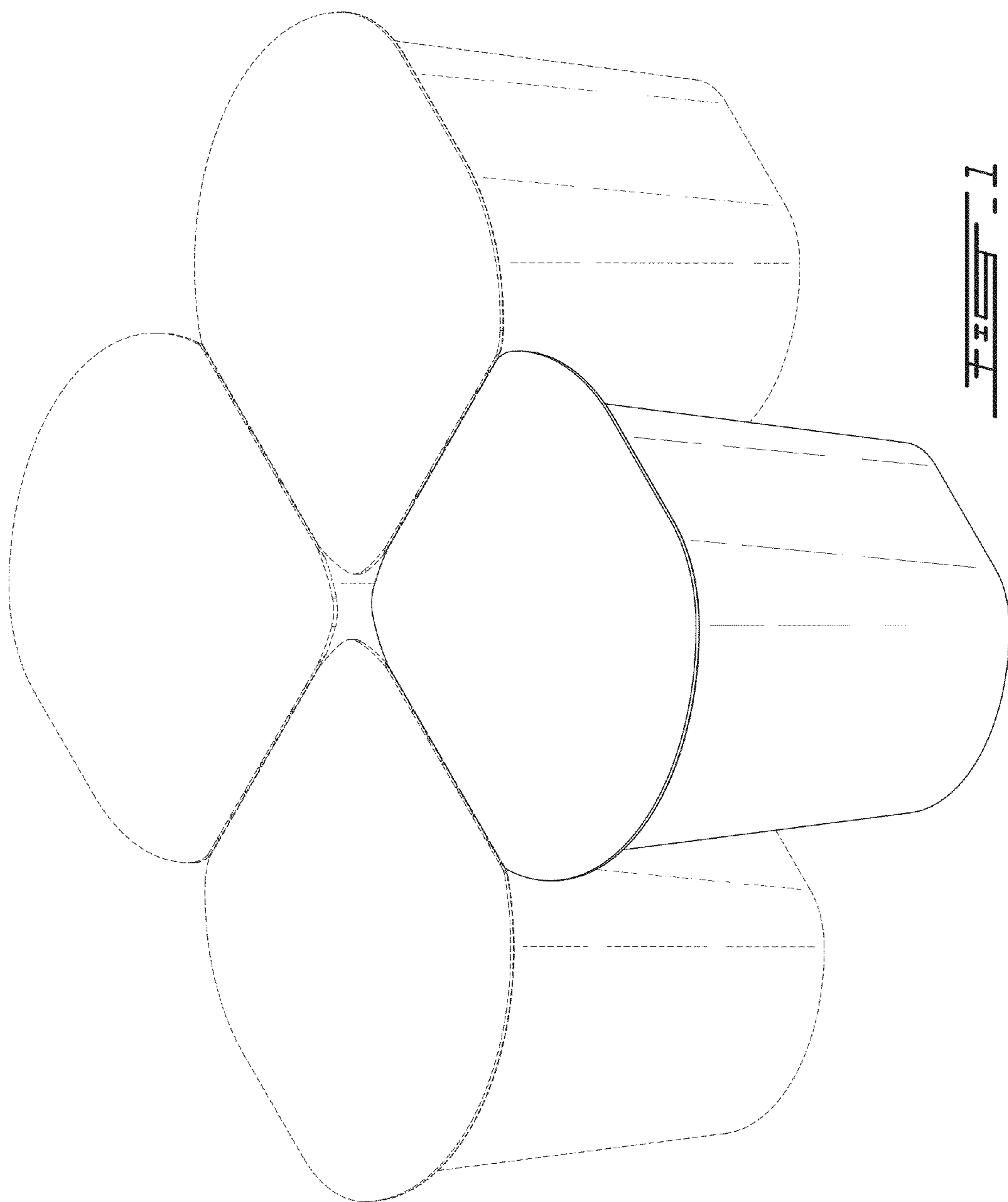
References Cited

U.S. PATENT DOCUMENTS

D661,577 S * 6/2012 Strilich et al. D9/424
D678,047 S * 3/2013 Green D9/416
D695,603 S * 12/2013 De Pra D9/416

D697,794 S * 1/2014 De Pra D9/425
D698,239 S * 1/2014 De Pra D9/425
D700,838 S * 3/2014 Oommen D9/425
2002/0179483 A1* 12/2002 Sears et al. 206/541
2012/0251679 A1* 10/2012 Ferry 426/130

* cited by examiner



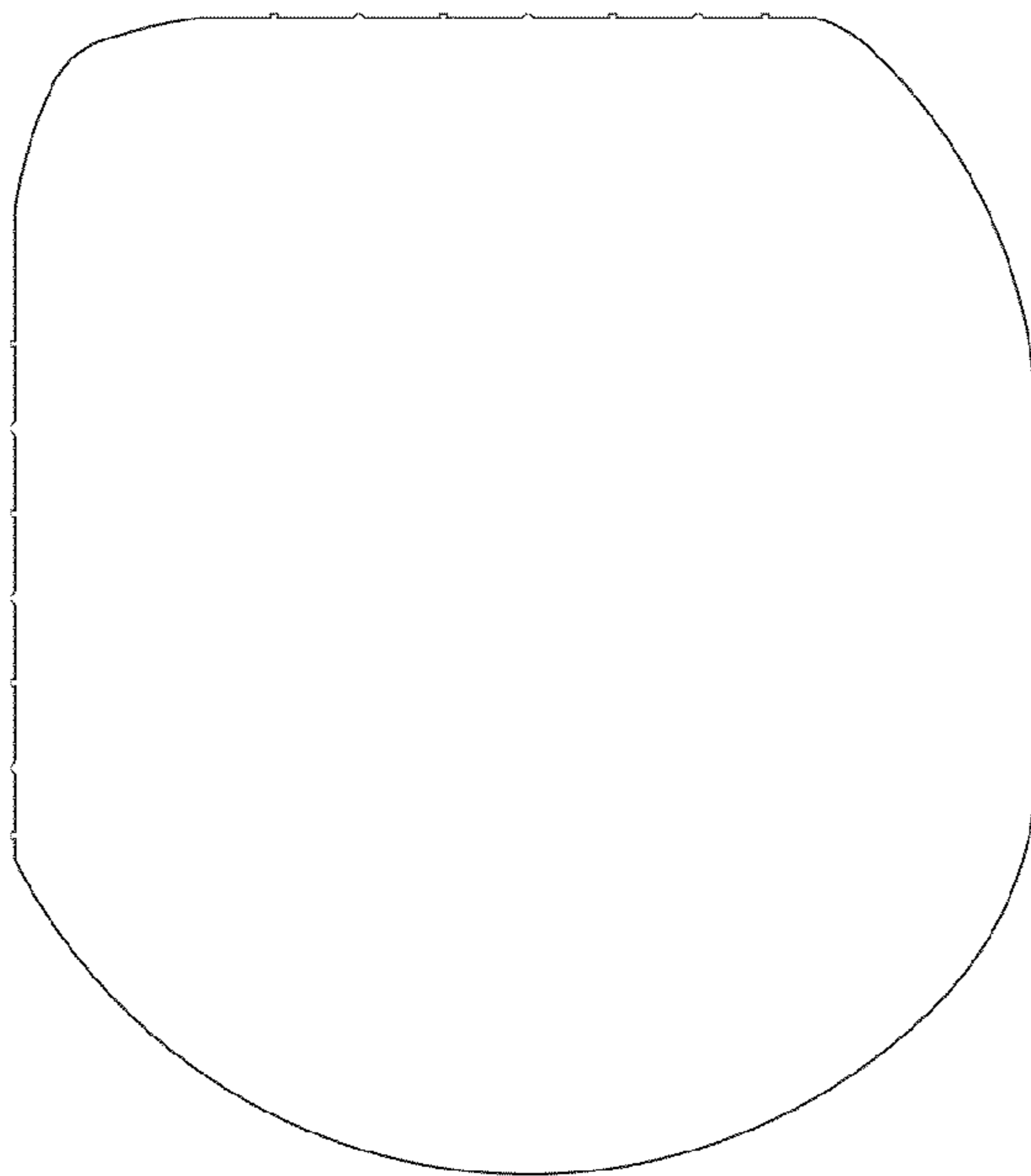


FIG. 3

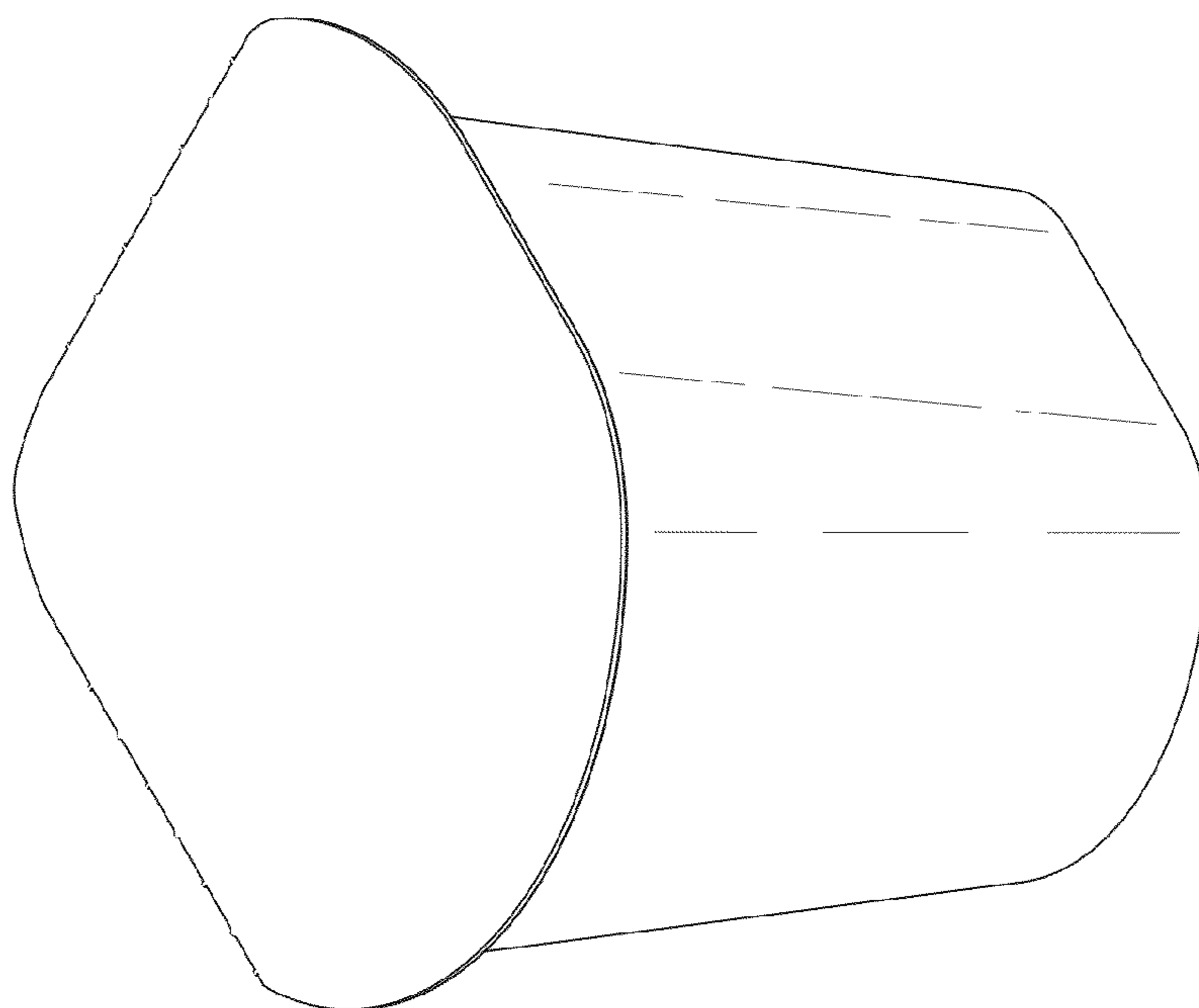


FIG. 2

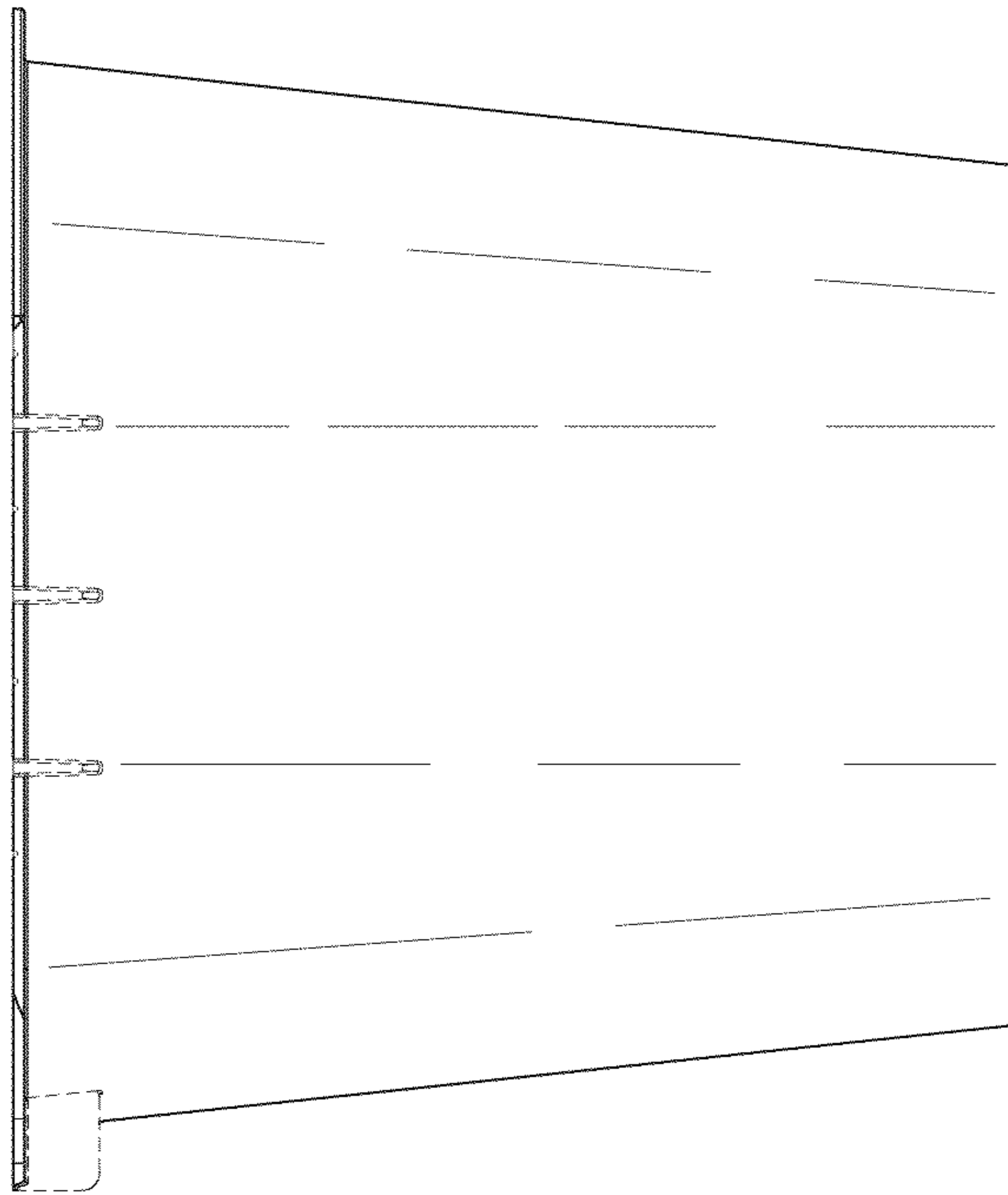


FIG. 5

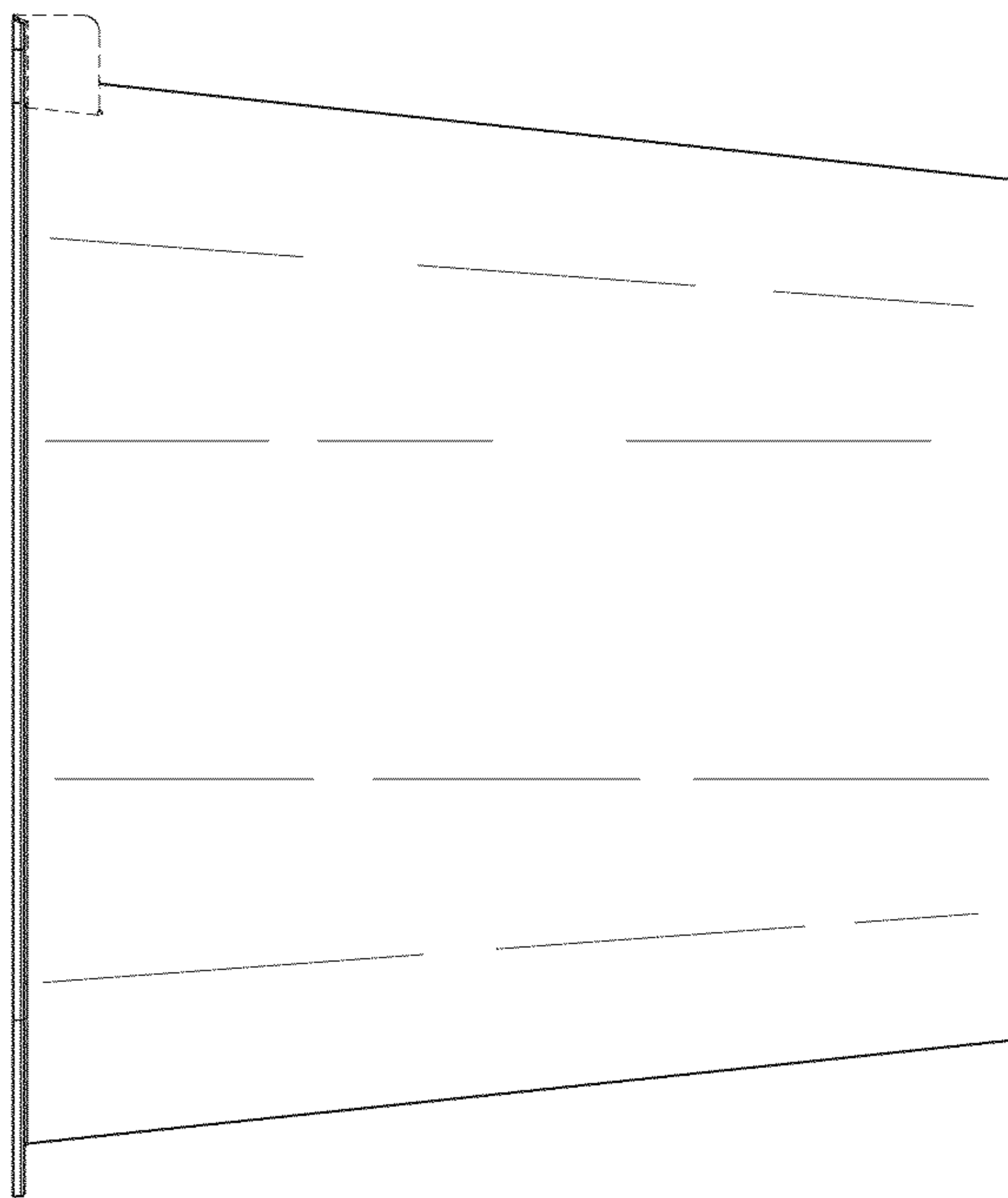


FIG. 4

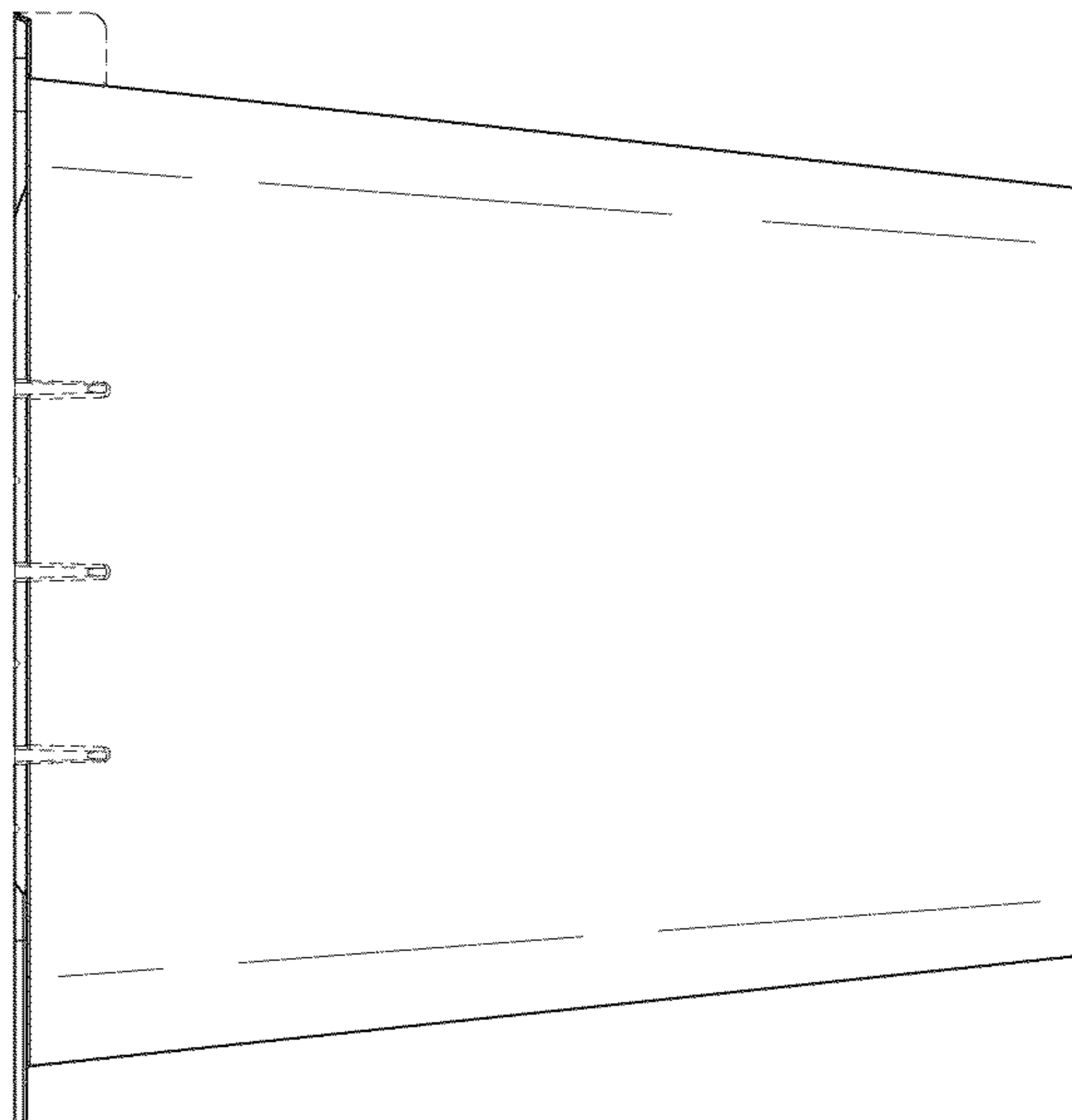


FIG. 7

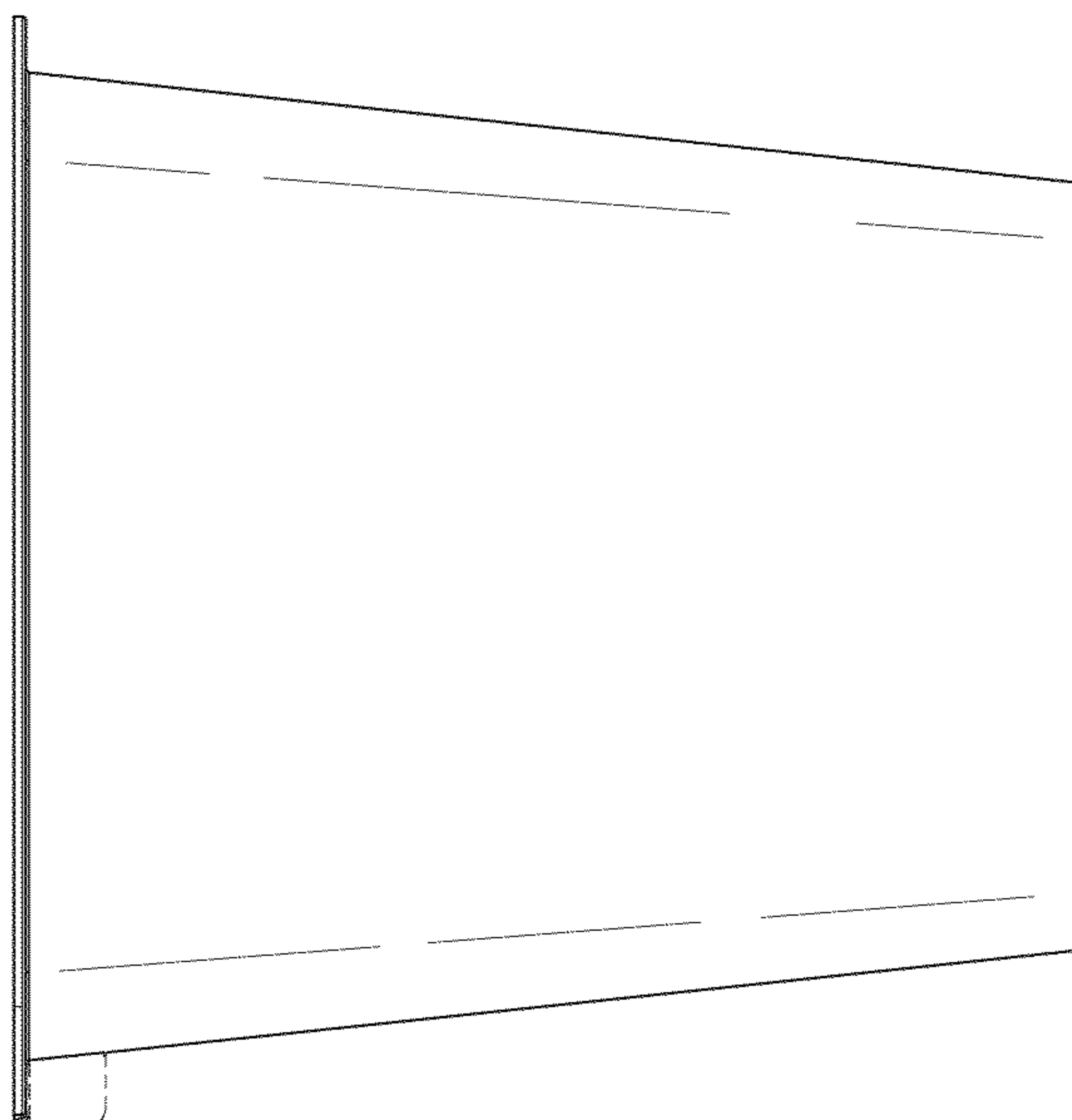


FIG. 8

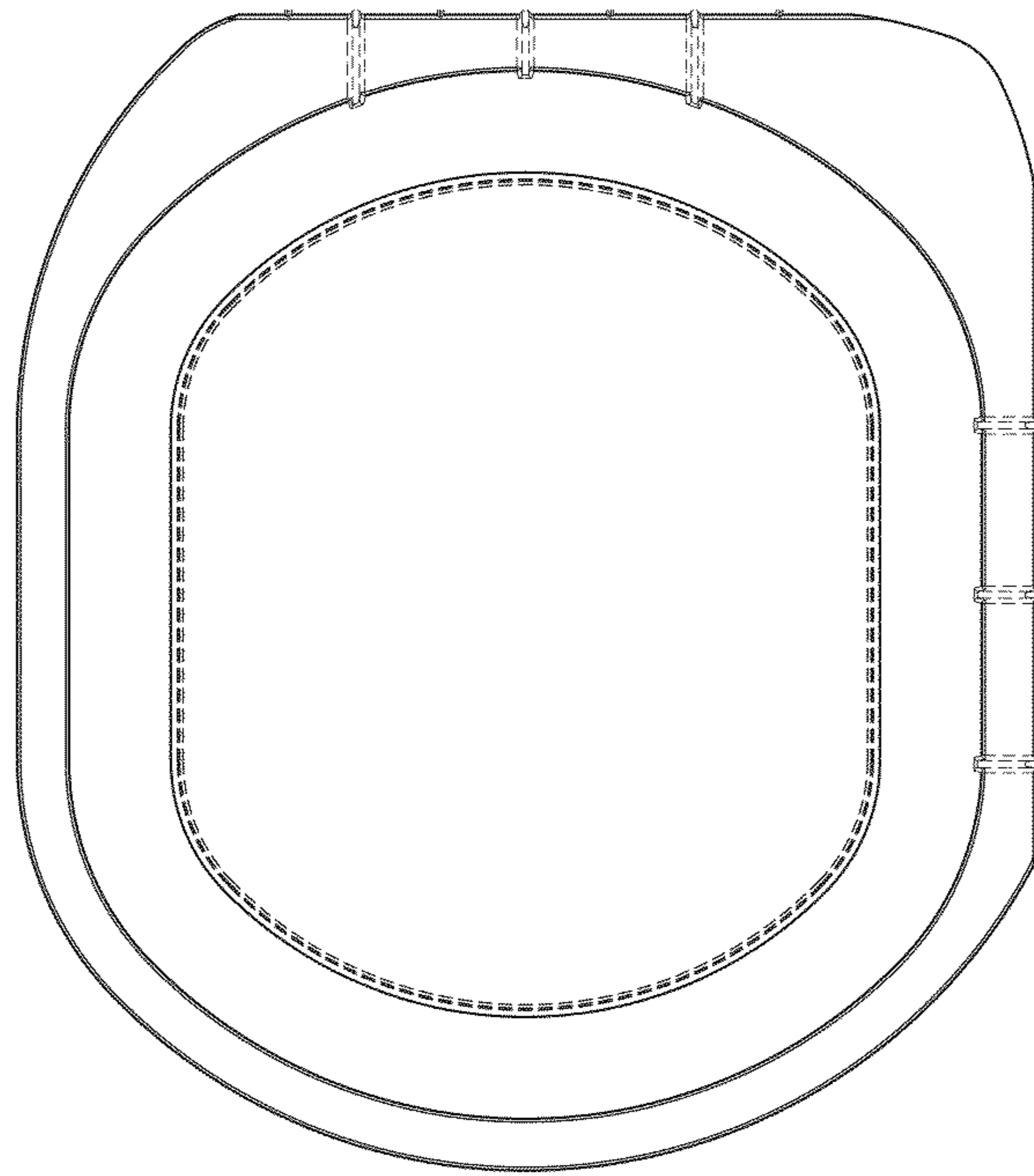


FIG. 5