



US00D742216S

(12) **United States Design Patent**
Abbott et al.

(10) **Patent No.:** **US D742,216 S**
(45) **Date of Patent:** **** *Nov. 3, 2015**

(54) **RECTANGULAR DISPOSABLE CONDIMENT
DIPPING CONTAINER**

(71) Applicants: **Lauren Elizabeth Abbott**, New York,
NY (US); **John Francis Thomas, III**,
New York, NY (US)

(72) Inventors: **Lauren Elizabeth Abbott**, New York,
NY (US); **John Francis Thomas, III**,
New York, NY (US)

(*) Notice: This patent is subject to a terminal dis-
claimer.

(**) Term: **14 Years**

(21) Appl. No.: **29/478,493**

(22) Filed: **Jan. 6, 2014**

(51) **LOC (10) Cl.** **09-03**

(52) **U.S. Cl.**
USPC **D9/424**

(58) **Field of Classification Search**
USPC D9/414, 416, 424, 425, 427, 430, 432,
D9/707; D7/397, 401.1, 500, 590, 597,
D7/601, 602, 641; 206/557, 565;
220/62.13, 214, 215, 240, 260, 265,
220/269, 270, 359.1, 359.2, 574, DIG. 14;
426/122, 123, 127

See application file for complete search history.

(56) **References Cited**

U.S. PATENT DOCUMENTS

2,649,392 A * 8/1953 Marshall 53/478
D192,267 S * 2/1962 Whiteford D9/425
4,183,435 A * 1/1980 Thompson et al. 206/557

D316,037 S * 4/1991 Kea D9/425
D320,327 S * 10/1991 Hollins D7/502
D341,157 S * 11/1993 Kitahara et al. D18/56
D450,240 S * 11/2001 Haag et al. D9/416
7,141,256 B2 * 11/2006 Noel et al. 426/127
D585,762 S * 2/2009 Friedland et al. D9/707
D675,064 S * 1/2013 Mayer D7/543
D679,586 S * 4/2013 Afford et al. D9/425
2001/0008240 A1 * 7/2001 Herrin 220/359.2
2002/0100760 A1 * 8/2002 Rinks 220/574
2005/0000965 A1 * 1/2005 Boardman 220/359.1
2007/0068945 A1 * 3/2007 Bykowski et al. 220/359.2

* cited by examiner

Primary Examiner — Derrick Holland

Assistant Examiner — Lauren Calve

(74) *Attorney, Agent, or Firm* — Parker Ibrahim & Berg
LLC; James M. Behmke; Kenneth J. Heywood

(57) **CLAIM**

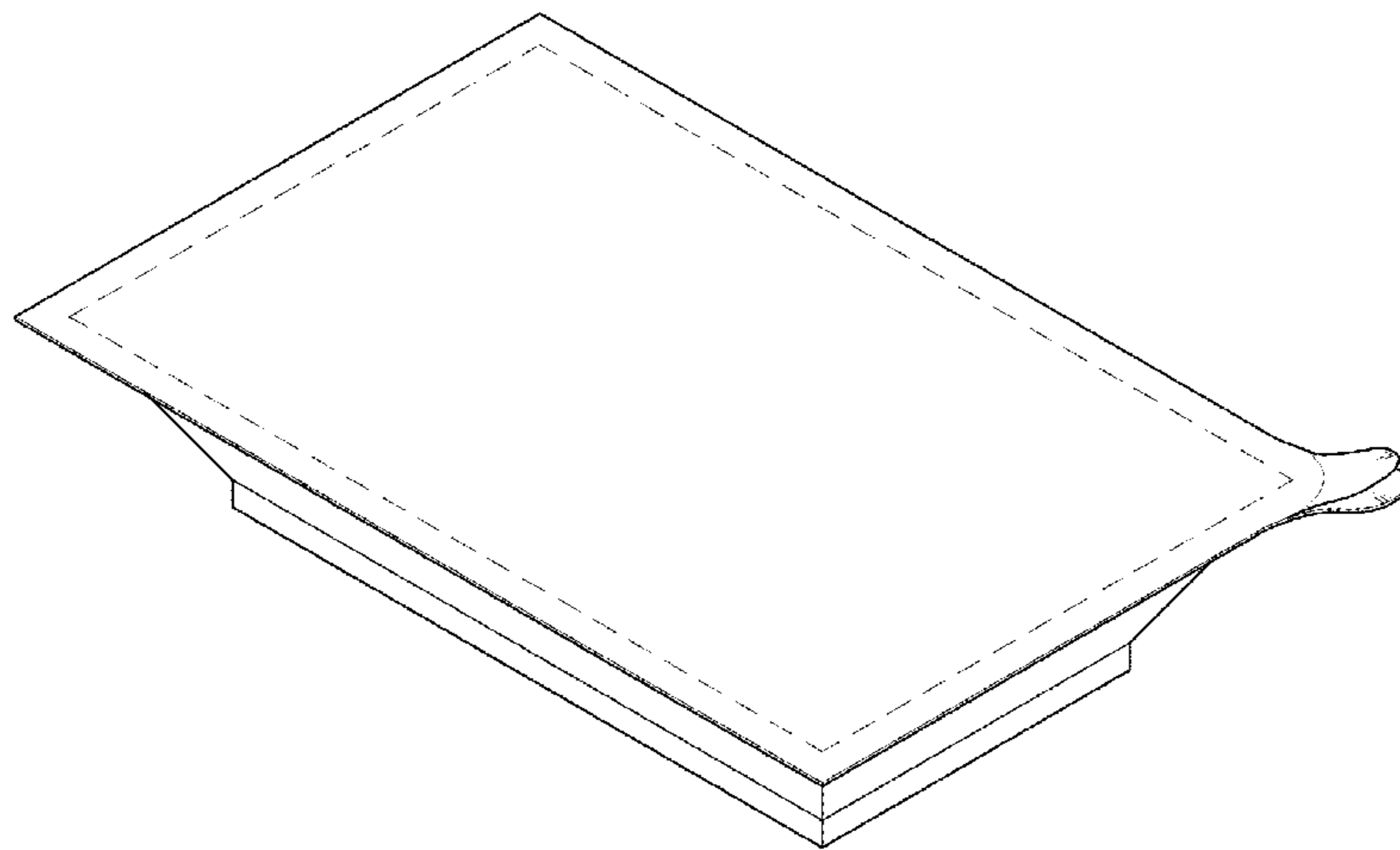
The ornamental design for a rectangular disposable condi-
ment dipping container, as shown and described.

DESCRIPTION

FIG. 1 is a top perspective view of a rectangular disposable
condiment dipping container showing our new design;
FIG. 2 is a bottom perspective view thereof;
FIG. 3 is a top view thereof;
FIG. 4 is a bottom view thereof;
FIG. 5 is a front view thereof;
FIG. 6 is a first side view thereof;
FIG. 7 is a second side view thereof; and,
FIG. 8 is a rear view thereof.

The broken lines shown represent unclaimed subject matter
and form no part of the claimed design.

1 Claim, 3 Drawing Sheets



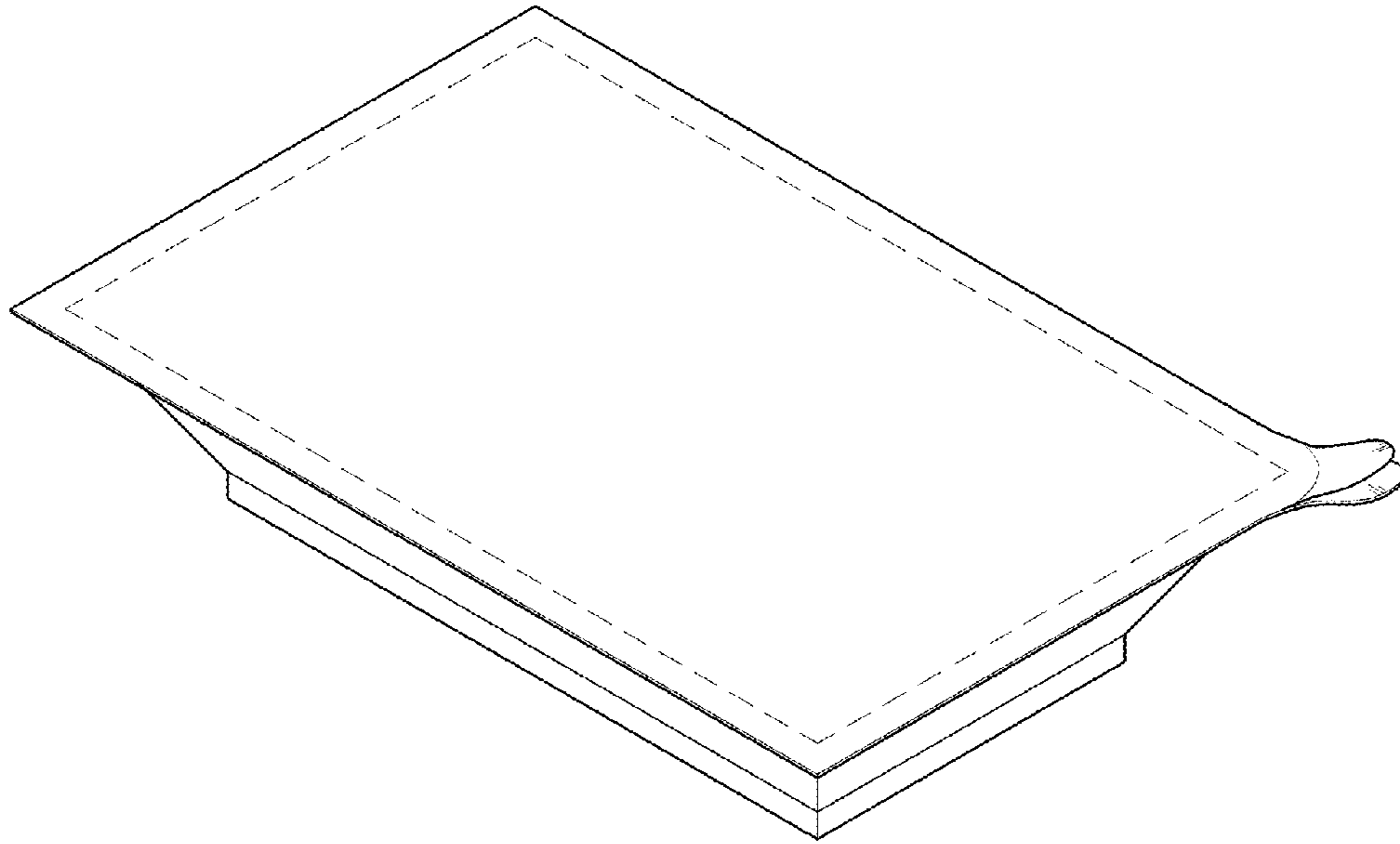


FIG. 1

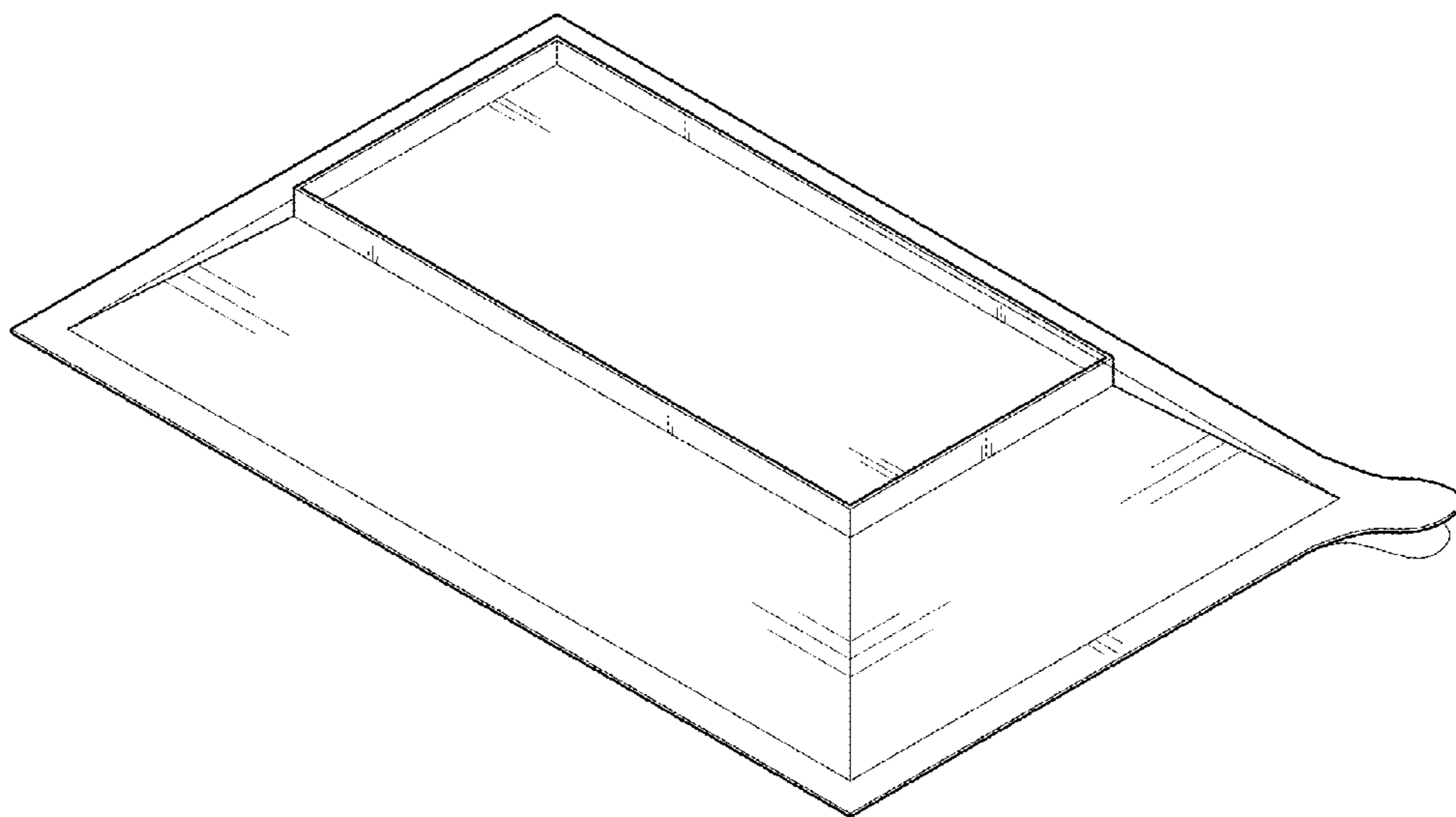


FIG. 2

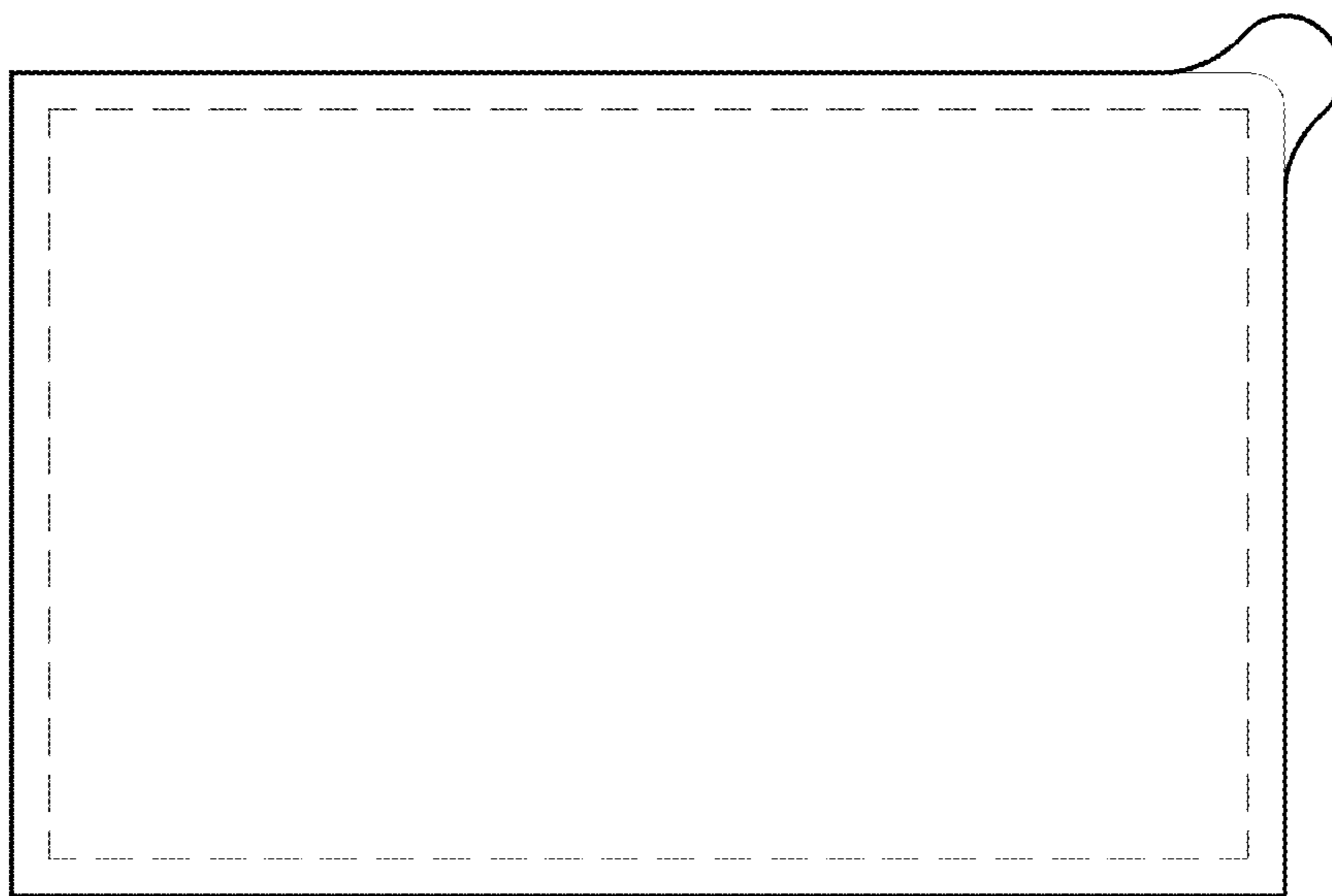


FIG. 3

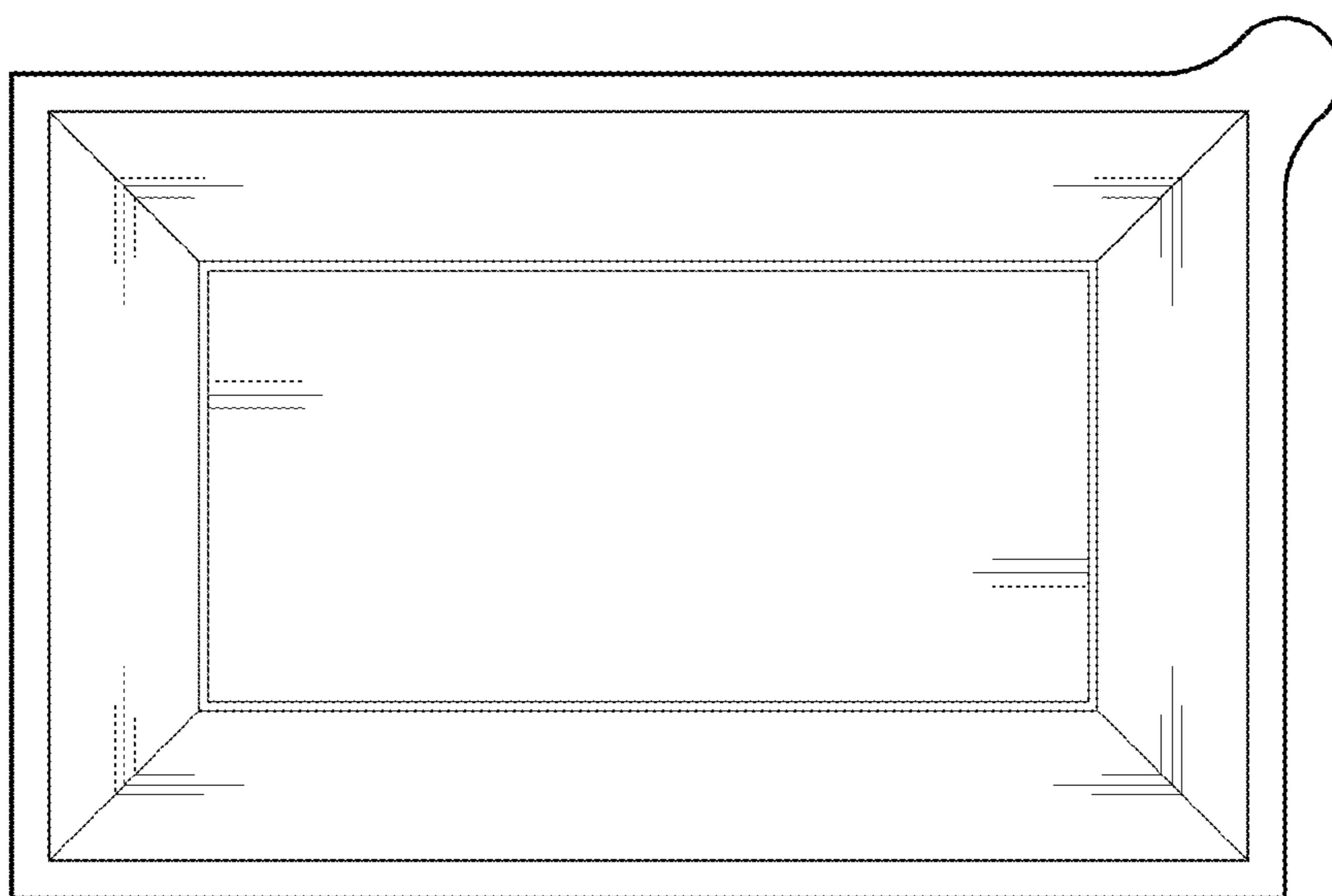


FIG. 4

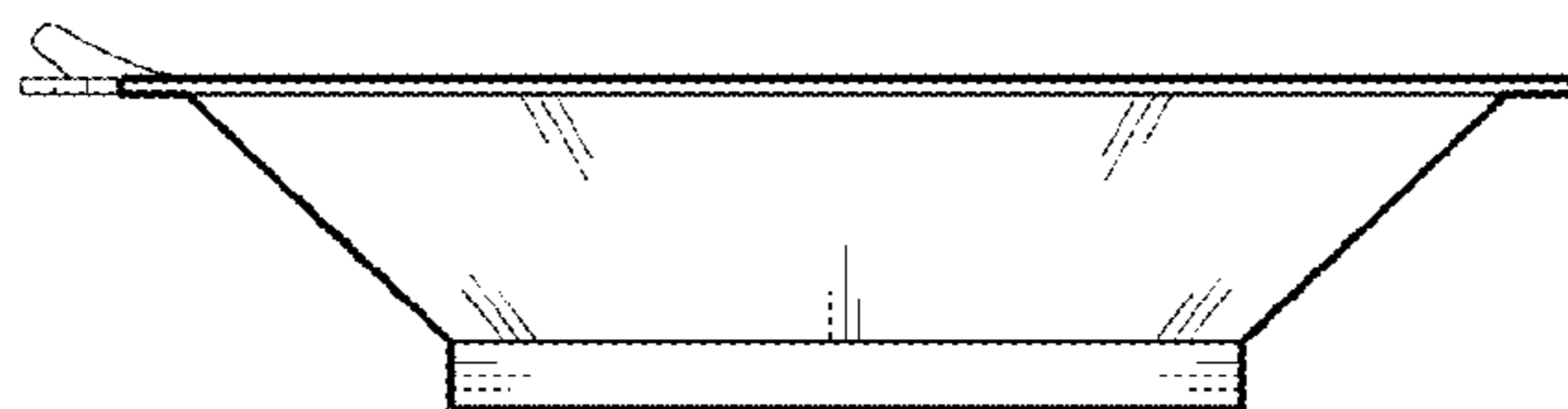


FIG. 5

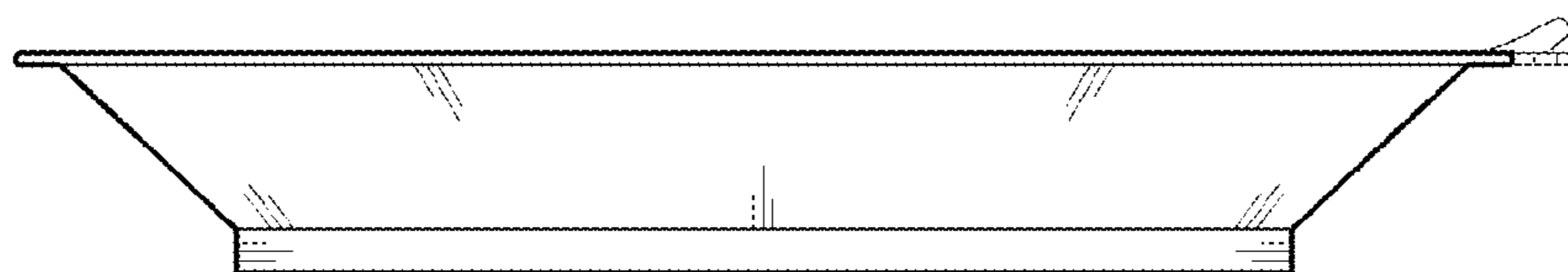


FIG. 6

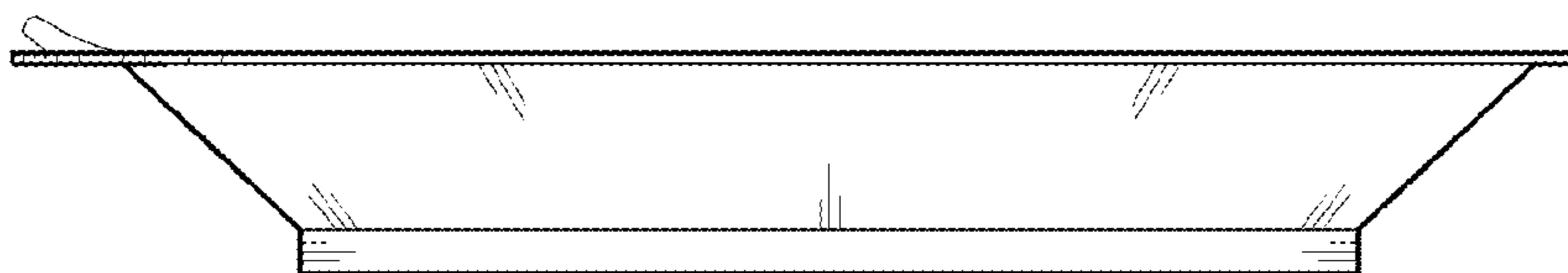


FIG. 7

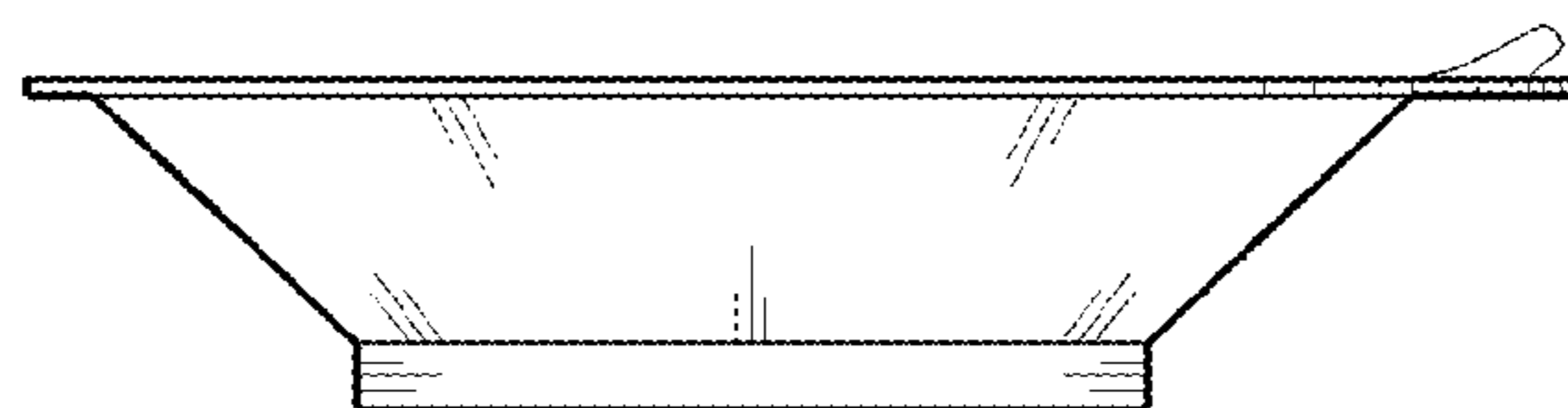


FIG. 8