



US00D742213S

(12) **United States Design Patent**
Sasanecki

(10) **Patent No.:** **US D742,213 S**
(45) **Date of Patent:** **** Nov. 3, 2015**

- (54) **PIPE CLAMP BRACKET**
- (71) Applicant: **Tallmadge Spinning & Metal Company, Tallmadge, OH (US)**
- (72) Inventor: **John Sasanecki, Tallmadge, OH (US)**
- (73) Assignee: **Tallmadge Spinning & Metal Company, Akron, OH (US)**
- (**) Term: **14 Years**
- (21) Appl. No.: **29/480,867**
- (22) Filed: **Jan. 30, 2014**
- (51) **LOC (10) Cl.** **08-08**
- (52) **U.S. Cl.**
USPC **D8/396**
- (58) **Field of Classification Search**
USPC D8/349, 364, 371, 394-396; 248/534,
248/316.6, 541, 49, 62, 65, 71, 200
CPC A01K 97/10; F16M 11/04; F16M 13/02;
B60R 13/00; F16L 3/04; F16L 3/26; F16L
3/14
See application file for complete search history.

(56) **References Cited**

U.S. PATENT DOCUMENTS

2,310,434	A *	2/1943	Hyman	248/71
3,220,679	A *	11/1965	Larson	248/71
D264,494	S *	5/1982	Chapa	D23/259
D342,011	S *	12/1993	Maguire	D8/349
5,297,890	A *	3/1994	Commins	403/398
6,250,591	B1 *	6/2001	Cunningham	248/65
6,311,935	B1 *	11/2001	Mullen, Jr.	248/74.1
D486,729	S *	2/2004	Ellery	D8/396
D489,000	S *	4/2004	Ellery	D8/396
7,744,042	B2 *	6/2010	Heath	248/65

7,857,264	B2 *	12/2010	Carter	248/65
D647,784	S *	11/2011	McNamara	D8/349
2004/0099772	A1 *	5/2004	Durig et al.	248/68.1
2005/0263651	A1 *	12/2005	Duponchelle	248/68.1
2007/0158506	A1 *	7/2007	Trotter et al.	248/65
2013/0043368	A1 *	2/2013	Hill	248/534

OTHER PUBLICATIONS

USP Structural Connectors, A MiTek Company, Pipe Rail Tie, PRT2H-TZ, http://www.uspconnectors.com/pdfs/2218_prt.pdf, 1 page.
Simpson Strong-Tie, PGT Pipe Grip Tie, PGT2Z-R, <http://www.strongtie.com/products/connectors/pgt.asp>, 2 pages.

* cited by examiner

Primary Examiner — John Windmuller
Assistant Examiner — Steven Czyz

(74) *Attorney, Agent, or Firm* — Sand & Sebolt

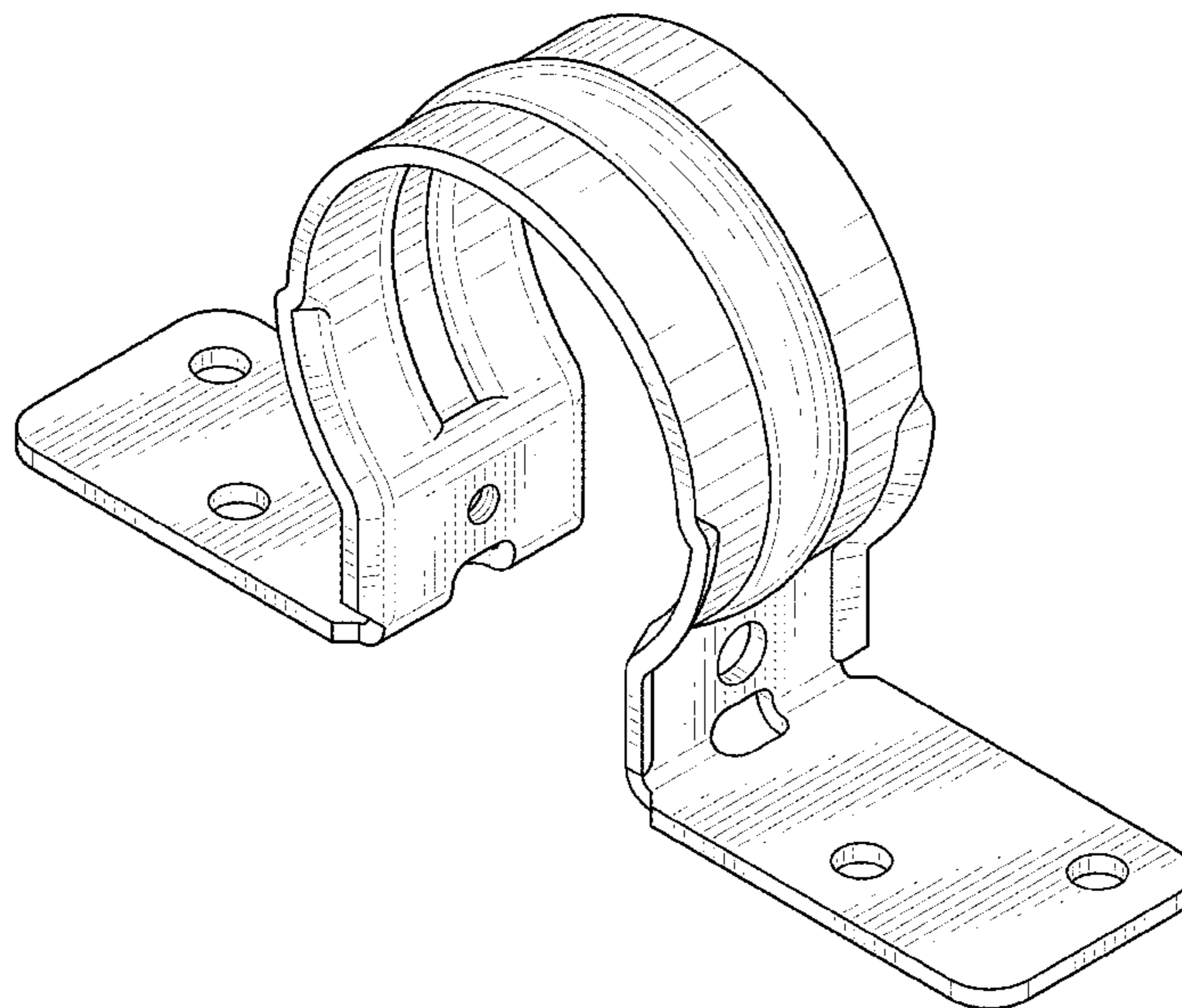
(57) **CLAIM**

The ornamental design for a pipe clamp bracket, as shown and described.

DESCRIPTION

FIG. 1 is a perspective view of the pipe clamp bracket as viewed from the front, right and below.
FIG. 2 is a perspective view of the pipe clamp bracket as viewed from the front, left and below.
FIG. 3 is a front elevation view of the pipe clamp bracket.
FIG. 4 is a top plan view of the pipe clamp bracket, and also serves as a bottom plan view of the pipe clamp bracket.
FIG. 5 is a rear elevation view of the pipe clamp bracket.
FIG. 6 is a left side elevation view of the pipe clamp bracket.
FIG. 7 is a right side elevation view of the pipe clamp bracket.
FIG. 8 is a sectional view taken on line 8-8 of FIG. 4; and, FIG. 9 is a sectional view taken on line 9-9 of FIG. 4.

1 Claim, 4 Drawing Sheets



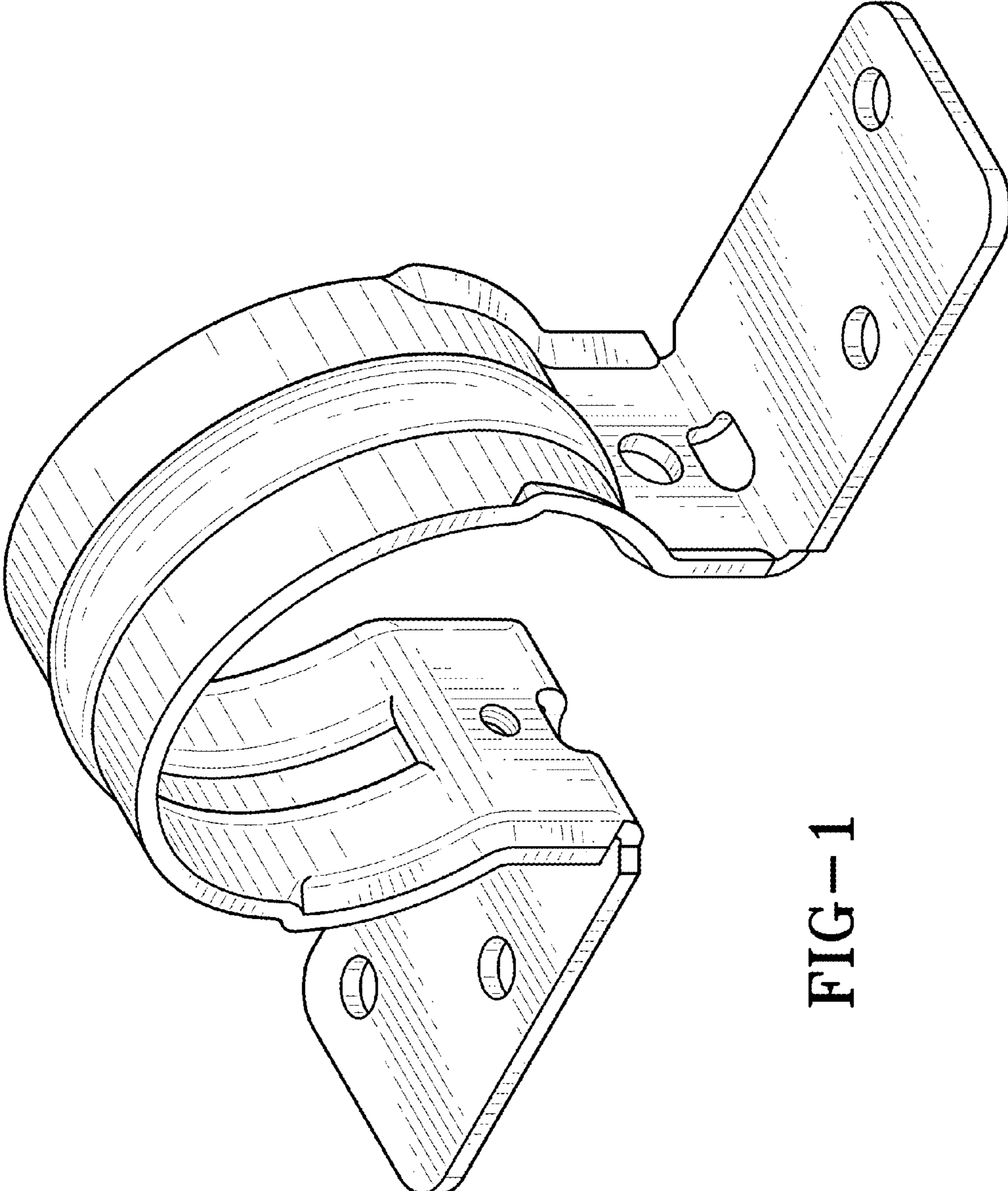


FIG-1

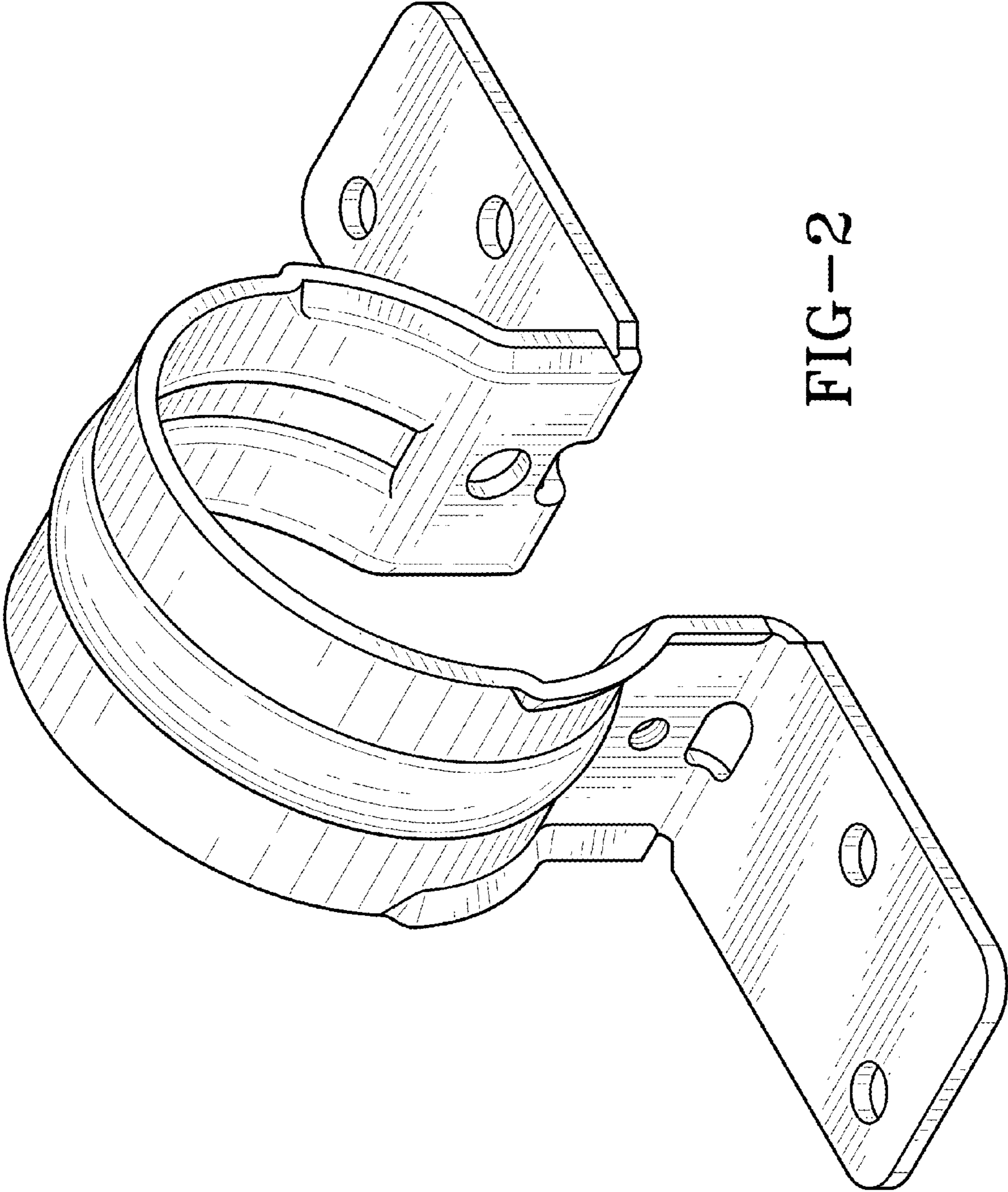


FIG-2

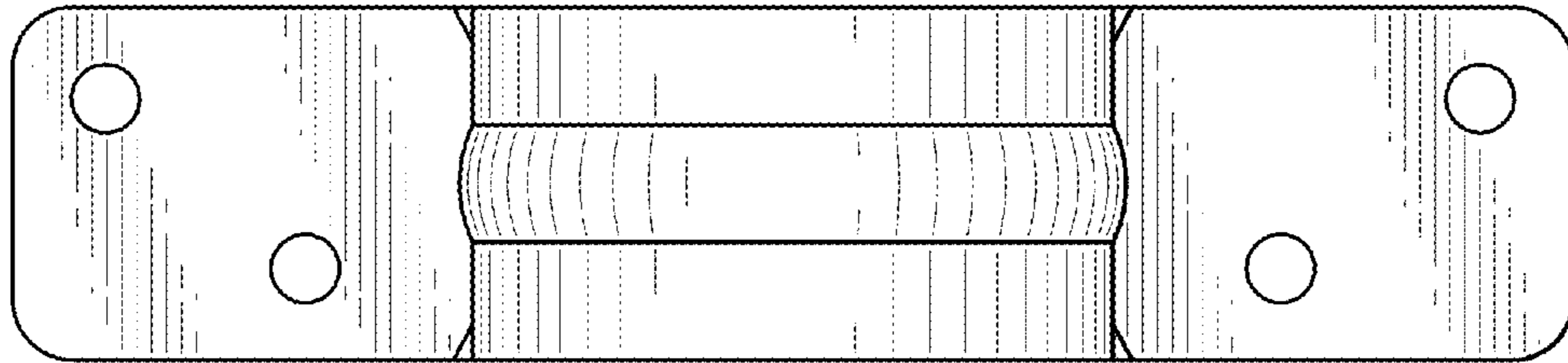


FIG-3

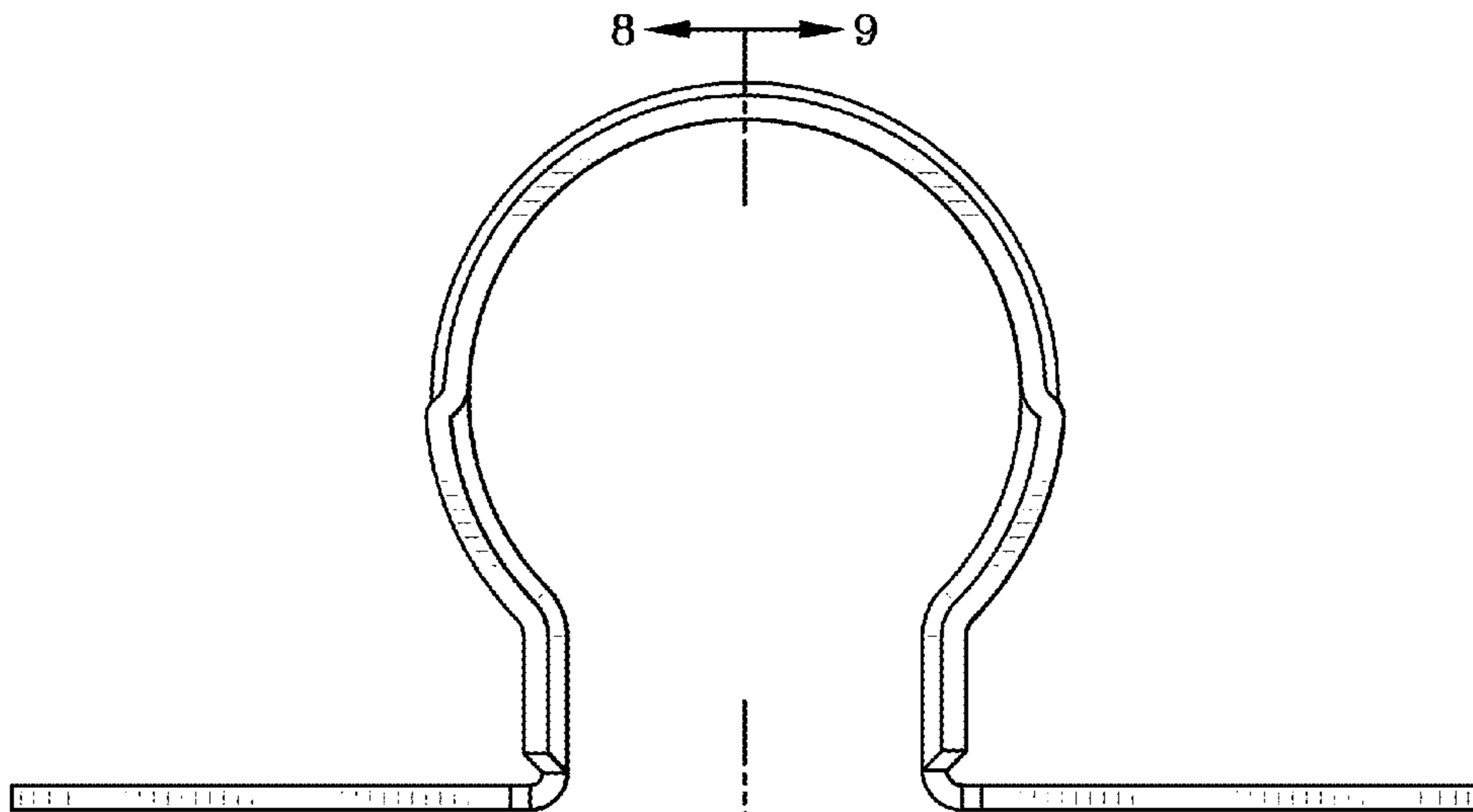


FIG-4

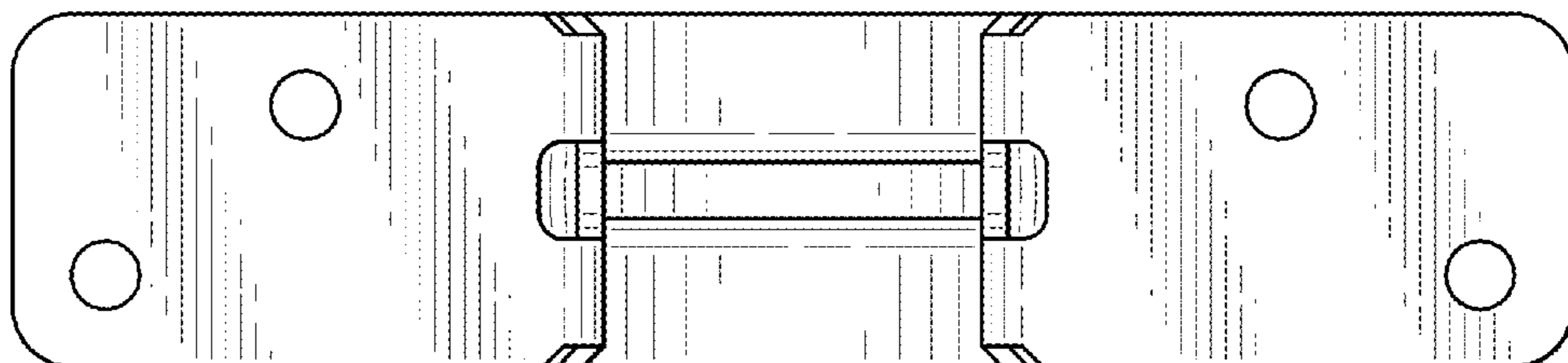


FIG-5

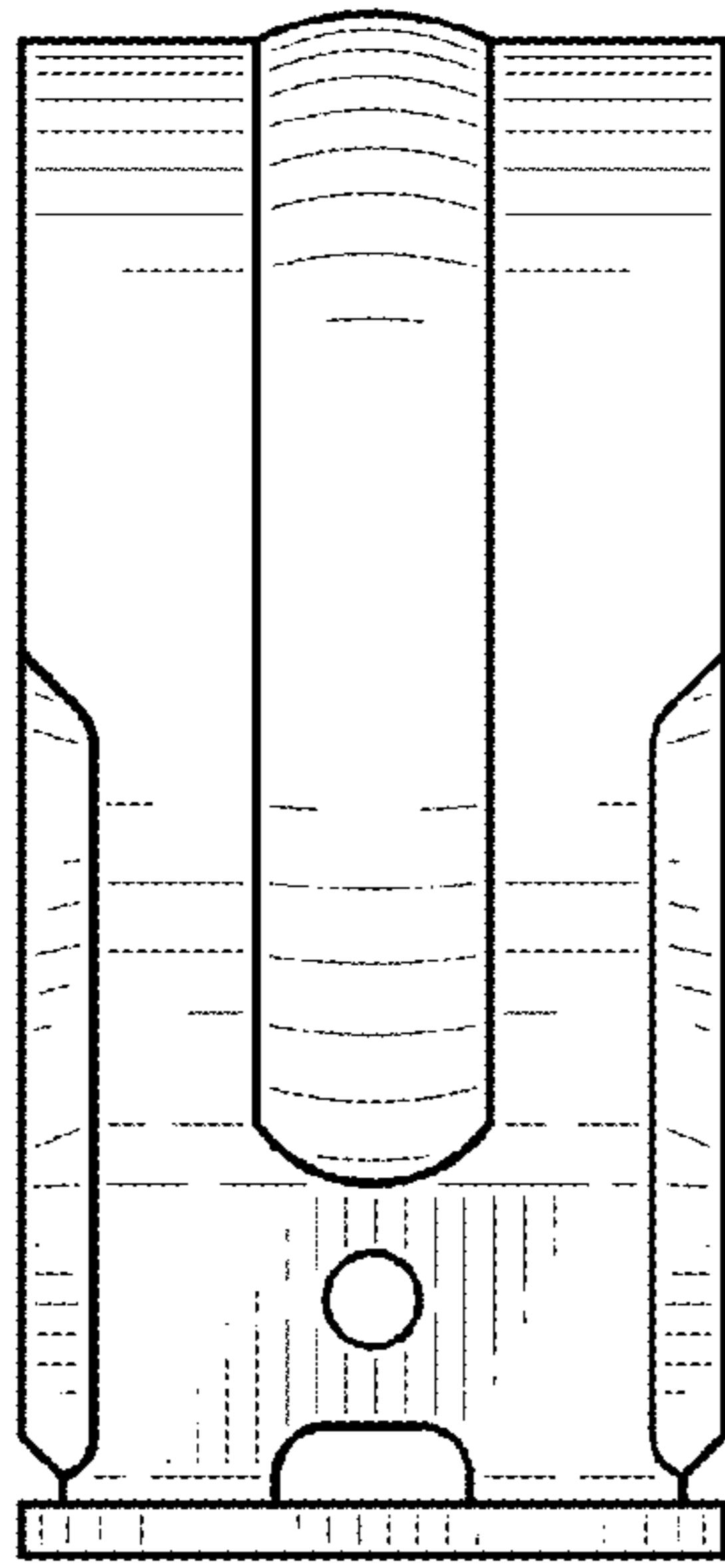


FIG-6

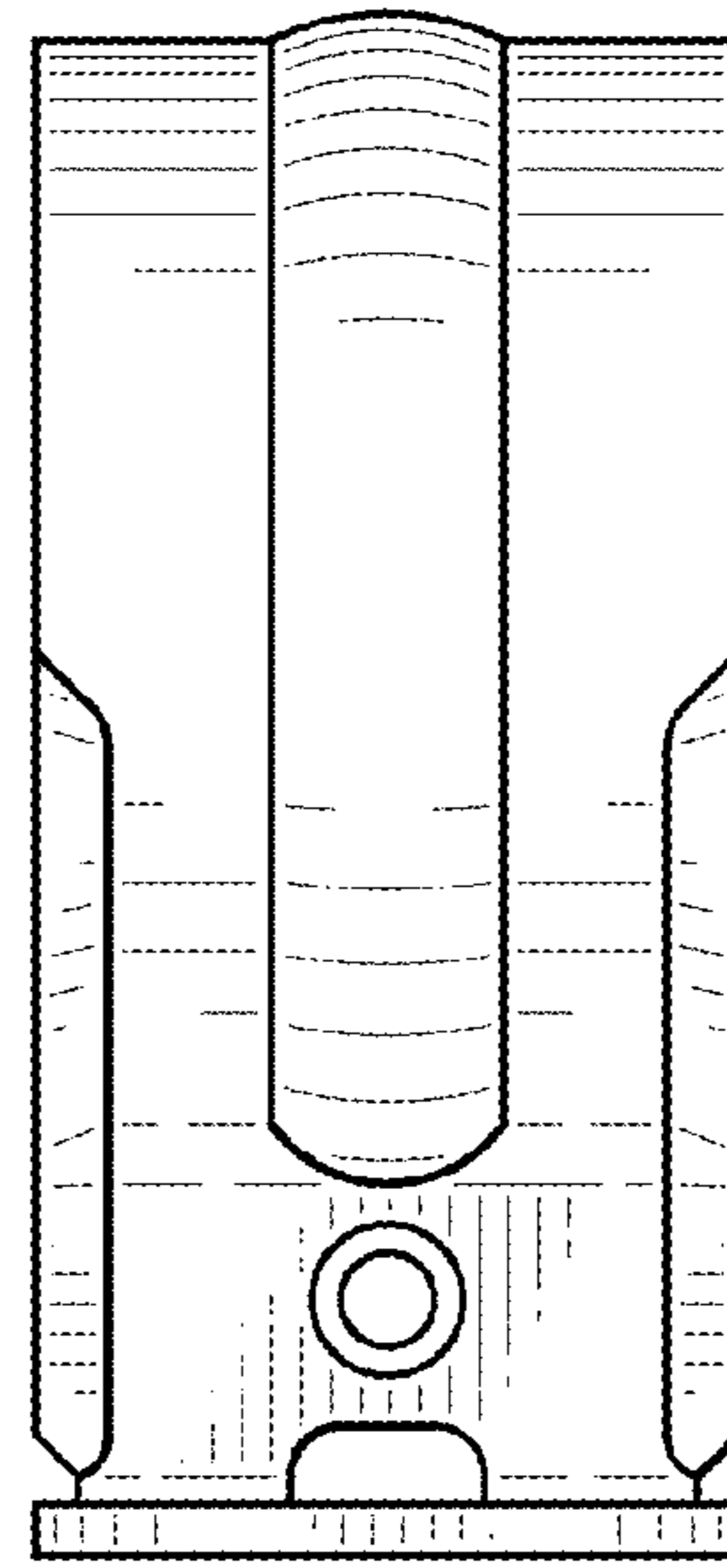


FIG-7

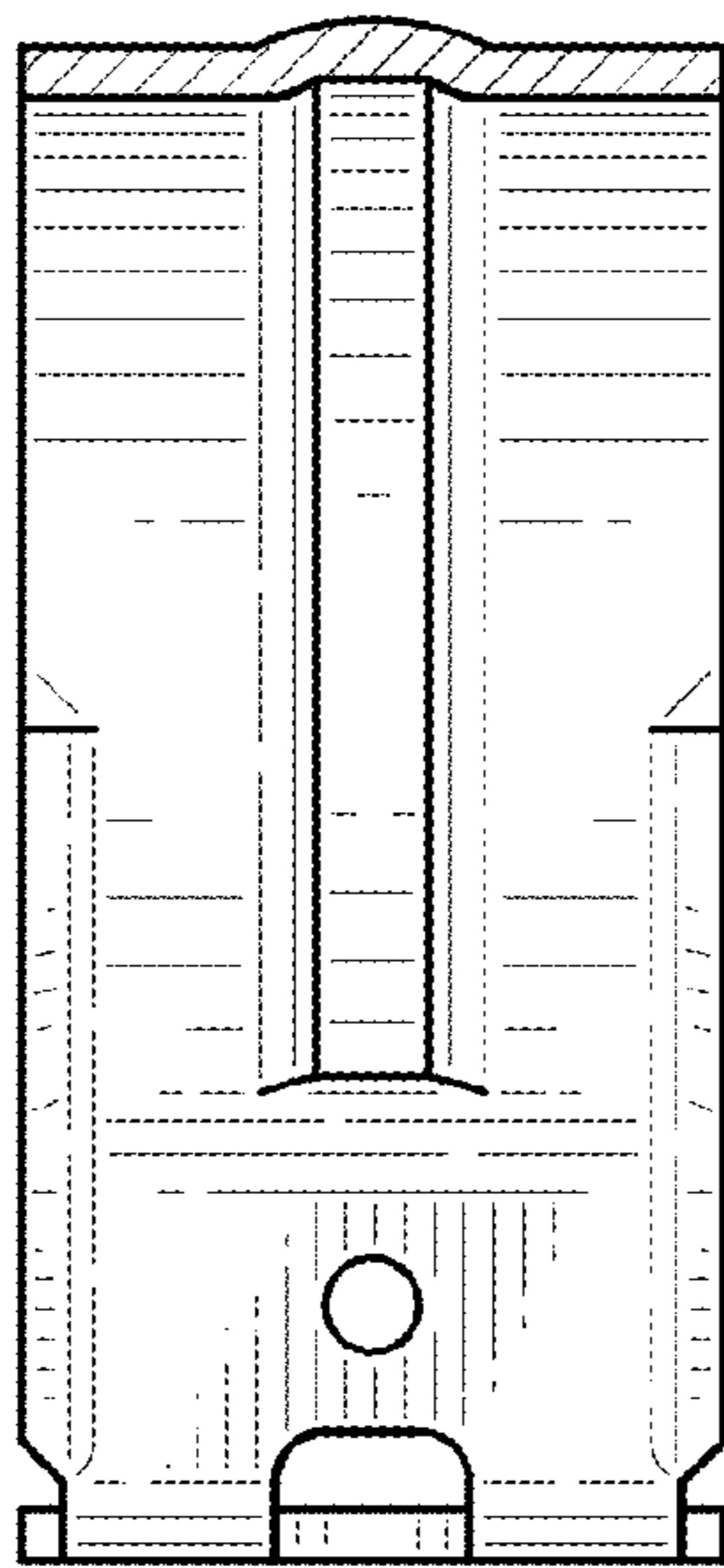


FIG-8

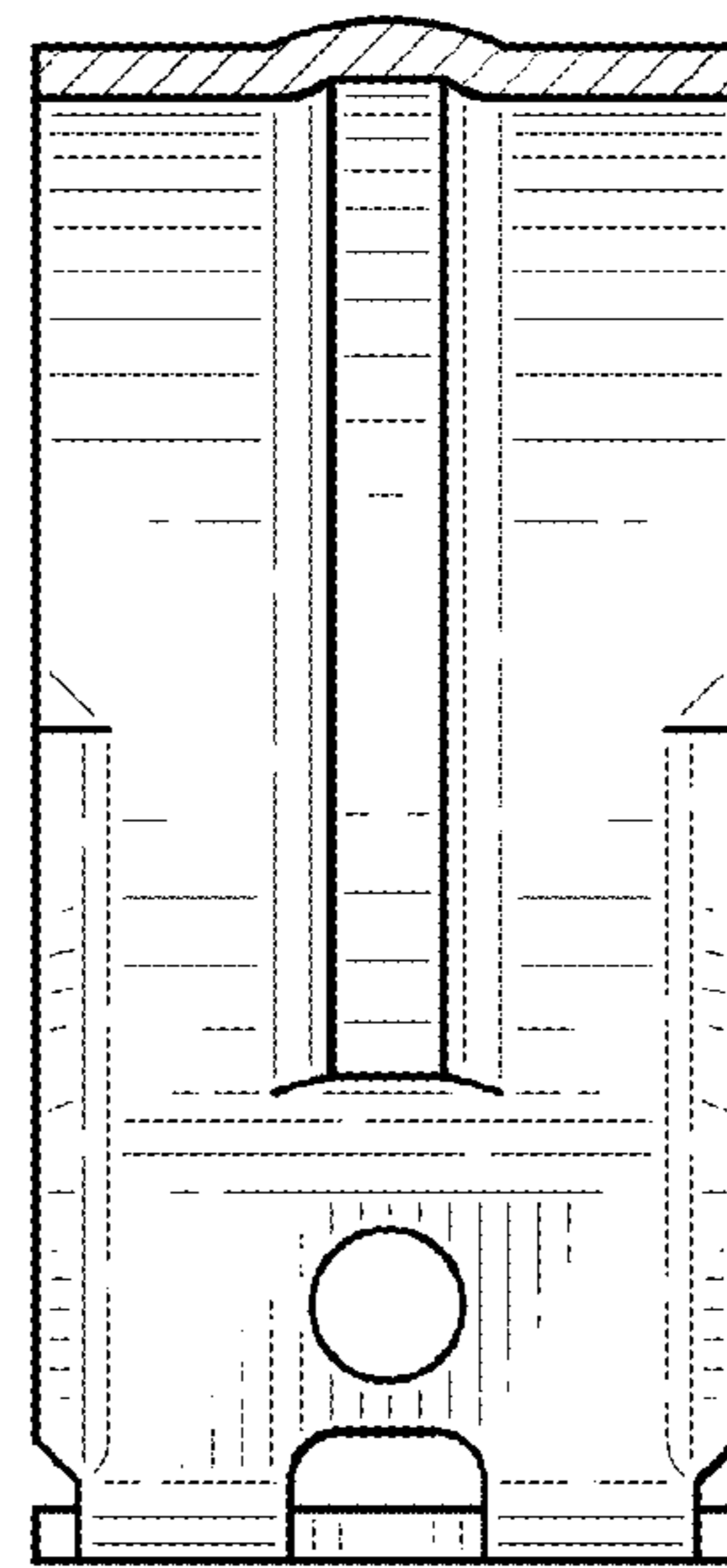


FIG-9