



US00D742211S

(12) **United States Design Patent**
Whaley

(10) **Patent No.:** **US D742,211 S**
(45) **Date of Patent:** **** Nov. 3, 2015**

(54) **JEWELRY RING CLAMP WITH ROUND WEDGE**

D641,615 S * 7/2011 Lin D8/394
D643,281 S * 8/2011 Roberts D8/394
D709,359 S * 7/2014 Symons D8/396

(71) Applicant: **Euro Tool, Inc.**, Grandview, MO (US)

OTHER PUBLICATIONS

(72) Inventor: **Jay Nicholas Whaley**, San Diego, CA (US)

Product Information for "Mahogany Ring Clamp" downloaded from EuroTool website on Feb. 6, 2014 at http://eurotool.com/products/MAHOGANY_RING_CLAMP-4276-217.html (2 pgs).

(73) Assignee: **EURO TOOL, INC.**, Grandview, MO (US)

(Continued)

(**) Term: **14 Years**

Primary Examiner — John Windmuller

Assistant Examiner — Steven Czyz

(21) Appl. No.: **29/462,105**

(74) *Attorney, Agent, or Firm* — Stinson Leonard Street LLP

(22) Filed: **Jul. 31, 2013**

(57) **CLAIM**

The ornamental design for a jewelry ring clamp with round wedge, as shown and described.

(51) **LOC (10) Cl.** **08-08**

DESCRIPTION

(52) **U.S. Cl.**
USPC **D8/396**

(58) **Field of Classification Search**
USPC D8/72, 394, 395, 396; D6/682; D11/87;
81/4; 29/8; 269/165, 166
CPC B44B 3/065; B21D 53/44; B25B 5/102;
B25B 5/107
See application file for complete search history.

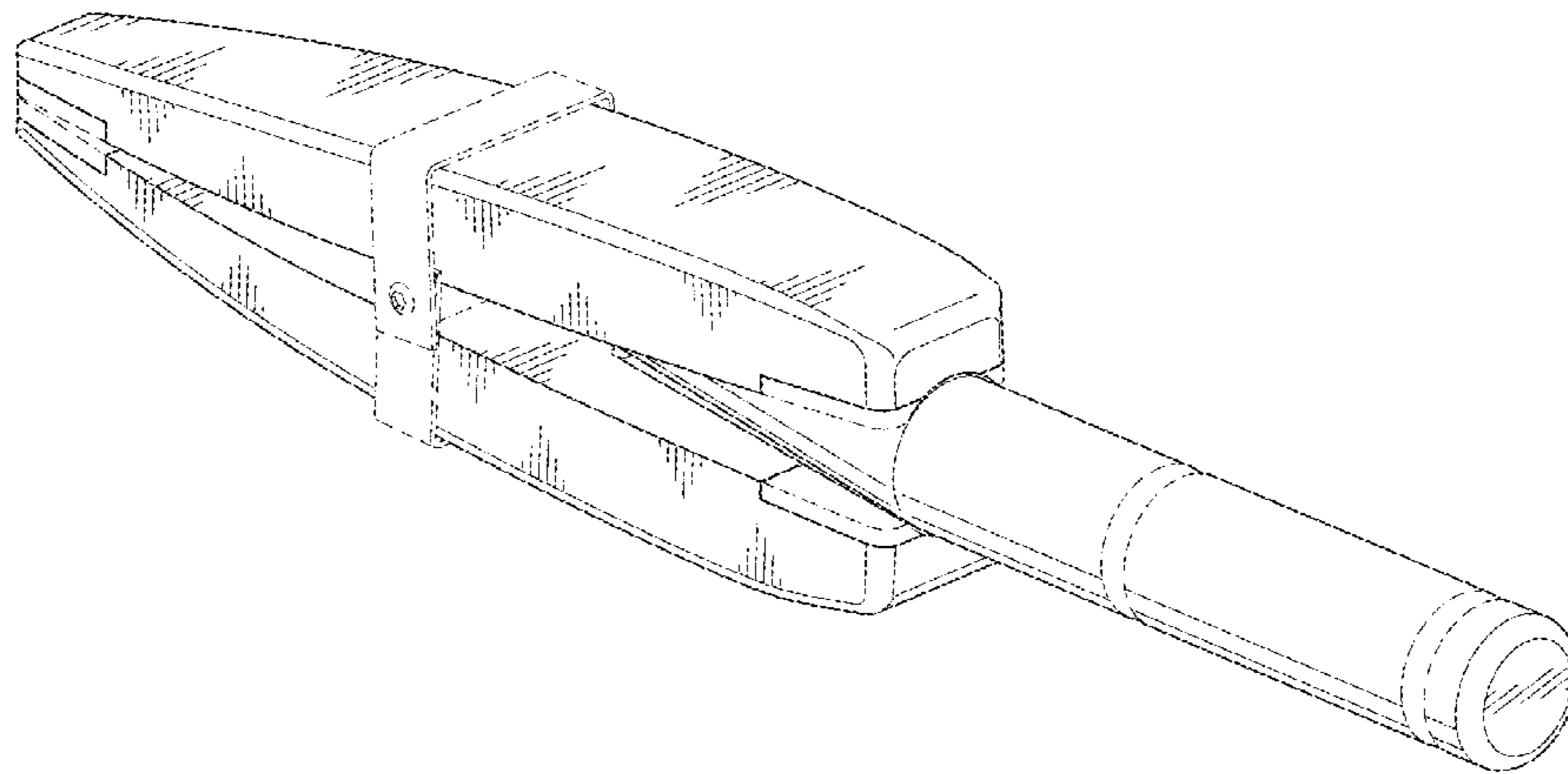
FIG. 1 is a front perspective view of the jewelry ring clamp with round wedge;
FIG. 2 is a front elevational view of the jewelry ring clamp with round wedge of FIG. 1;
FIG. 3 is a rear elevational view of the jewelry ring clamp with round wedge of FIG. 1;
FIG. 4 is a top plan view of the jewelry ring clamp with round wedge of FIG. 1;
FIG. 5 is a bottom plan view of the jewelry ring clamp with round wedge of FIG. 1;
FIG. 6 is a right side elevational view of the jewelry ring clamp with round wedge of FIG. 1;
FIG. 7 is a left side elevational view of the jewelry ring clamp with round wedge of FIG. 1; and,
FIG. 8 is a front perspective view of the jewelry ring clamp with round wedge of FIG. 1 with the round wedge portion removed for ease of disclosure.
The broken lines depict portions of the article that form no part of the claimed design.

(56) **References Cited**

U.S. PATENT DOCUMENTS

327,558 A * 10/1885 Kuder et al. 81/4
542,402 A * 7/1895 Anzelewitz et al. 81/4
1,431,652 A * 10/1922 Grossman 29/8
D248,211 S * 6/1978 Kirkland D8/395
D251,109 S * 2/1979 Kirkland D8/395
D256,410 S * 8/1980 Runco D6/682
D261,743 S * 11/1981 Little D11/87
D274,796 S * 7/1984 Humble D10/106.91
D354,268 S * 1/1995 Siemon et al. D13/133
D365,017 S * 12/1995 Rohrig D8/394
D486,385 S * 2/2004 Smith-Kielland et al. D8/394
D575,556 S * 8/2008 Rohkar, Jr. D6/682

1 Claim, 4 Drawing Sheets



(56)

References Cited

OTHER PUBLICATIONS

Product Information for "Parallel Jaw Ring Clamp" downloaded from EuroTool website on Feb. 6, 2014 at http://eurotool.com/products/PARALLEL_JAW_RING_CLAMP-4283-217.html (2 pgs).

Product Information for "Plastic Ring Clamp with Leather Jaws" downloaded from EuroTool website on Feb. 6, 2014 at http://eurotool.com/products/PLASTIC_RING_CLAMP_WITH_LEATHER_JAWS-4280-217.html (2 pgs).

Product Information for "Small Wood Ring Clamp with Round Head" downloaded from EuroTool website on Feb. 6, 2014 at http://eurotool.com/products/SMALL_WOOD_RING_CLAMP_WITH_ROUND_HEAD-4282-217.html (2 pgs).

Product Information for "External Kirkland Ring Clamp" downloaded from EuroTool website on Feb. 6, 2014 at http://eurotool.com/products/EXTERNAL_KIRKLAND_RING_CLAMP-4274-217.html (2 pgs).

Product Information for "Kirkland Ring Clamp/Holder" downloaded from EuroTool website on Feb. 6, 2014 at http://eurotool.com/products/KIRKLAND_RING_CLAMP_HOLDER-4273-217.html (2 pgs).

Product Information for "Metal Swiss Type Ring Clamp" downloaded from EuroTool website on Feb. 6, 2014 at http://eurotool.com/products/METAL_SWISS_TYPE_RING_CLAMP-4271-217.html (2 pgs).

Product Information for "Wooden Ring Clamp" downloaded from EuroTool website on Feb. 6, 2014 at http://eurotool.com/products/WOODEN_RING_CLAMP-4275-217.html (2 pgs).

Product Information for "Hardwood Ring Clamp" downloaded from Rio Grande website on Feb. 6, 2014 at <http://www.riogrande.com/Product/Hardwood-Ring-Clamp/113105> (1 pg).

Product Information for "Nylon Ring Clamp" downloaded from Rio Grande website on Feb. 6, 2014 at <http://www.riogrande.com/Product/Nylon-Ring-Clamp/113102> (1 pg).

Product Information for "Ring Clamp Spring Action Leather Lined" downloaded from Otto Frei website on Feb. 6, 2014 at <http://www.ottofrei.com/Ring-Clamp-Spring-Action-Leather-Lined.html> (2 pgs).

Product Information for "Ring Clamp Parallel Jaws with Screw End" downloaded from Otto Frei website on Feb. 7, 2014 at <http://www.ottofrei.com/Ring-Clamp-Parallel-Jaws-With-Screw-End.html> (2 pgs).

Product Information for "Ring Clamp Holds from Inside Ring" downloaded from Otto Frei website on Feb. 7, 2014 at <http://www.ottofrei.com/Ring-Clamp-Holds-From-Inside-Ring.html> (2 pgs).

Product Information for "German made Ring Clamp" downloaded from Otto Frei website on Feb. 7, 2014 at <http://www.ottofrei.com/German-made-Ring-Clamp.html> (2 pgs).

* cited by examiner

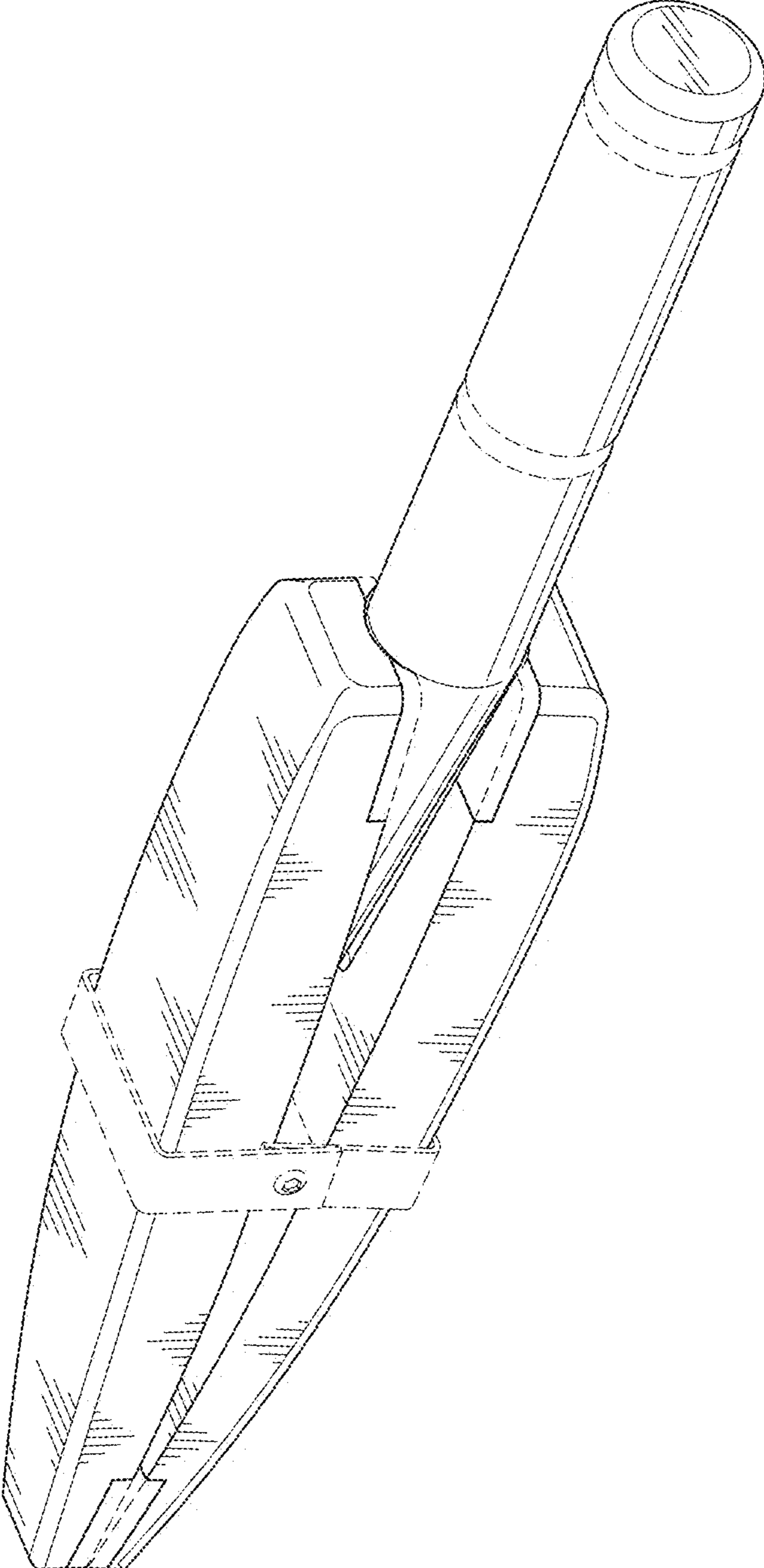


FIG. 1

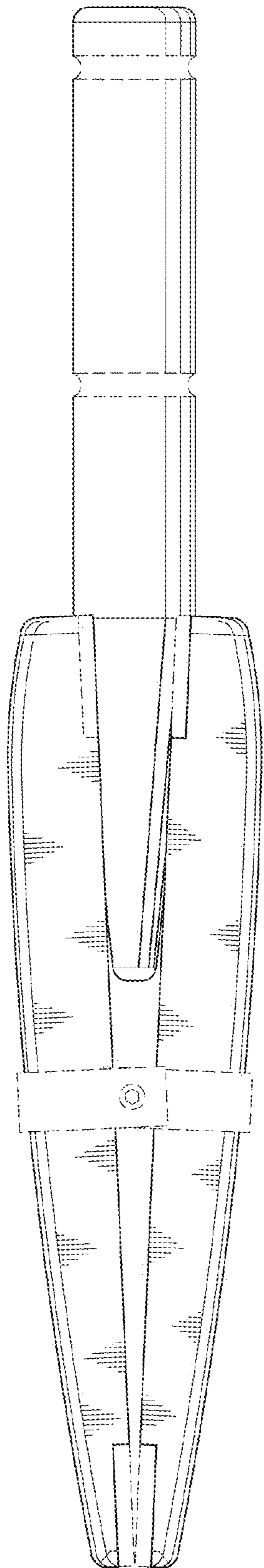


FIG. 2

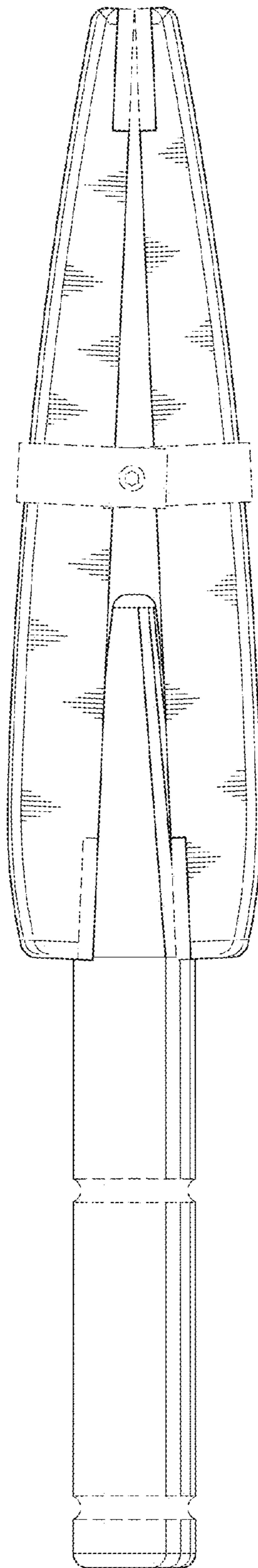


FIG. 3

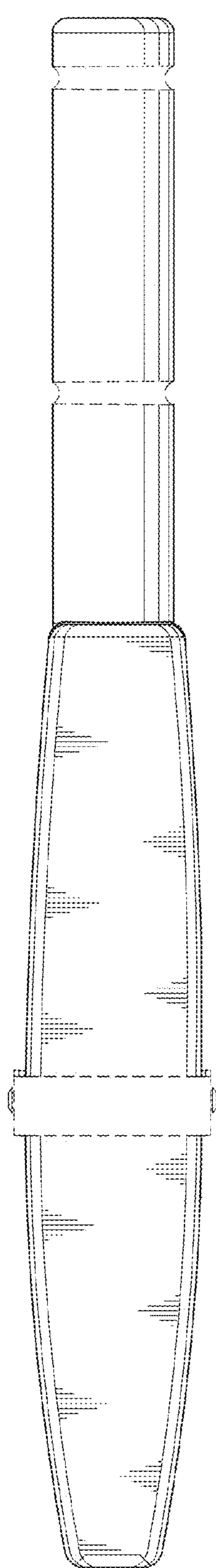


FIG. 4

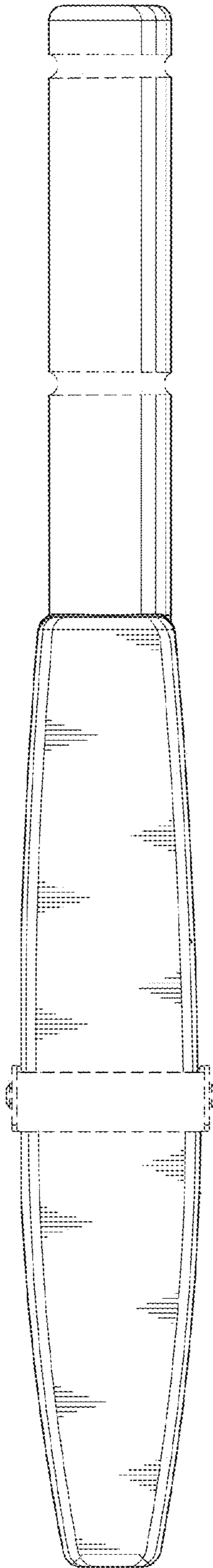


FIG. 5

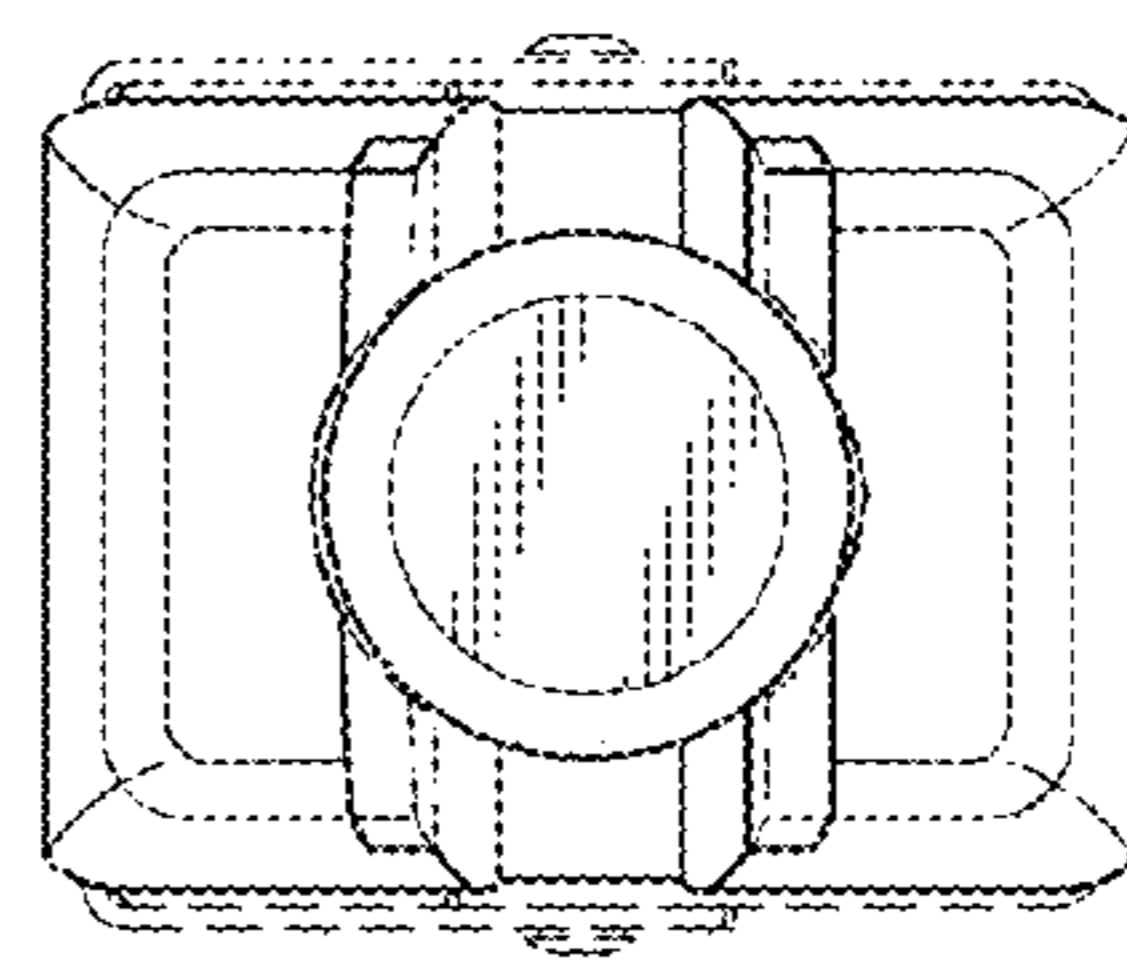


FIG. 6

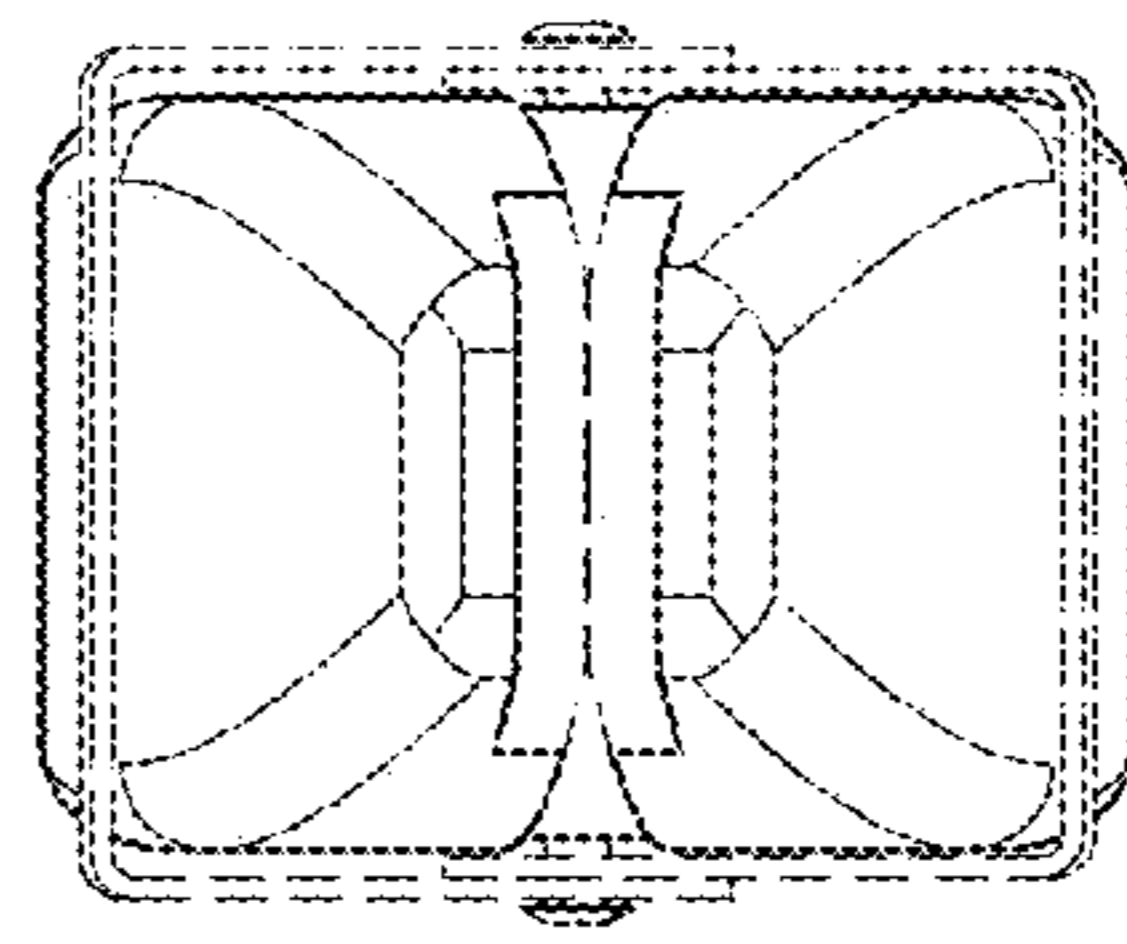


FIG. 7

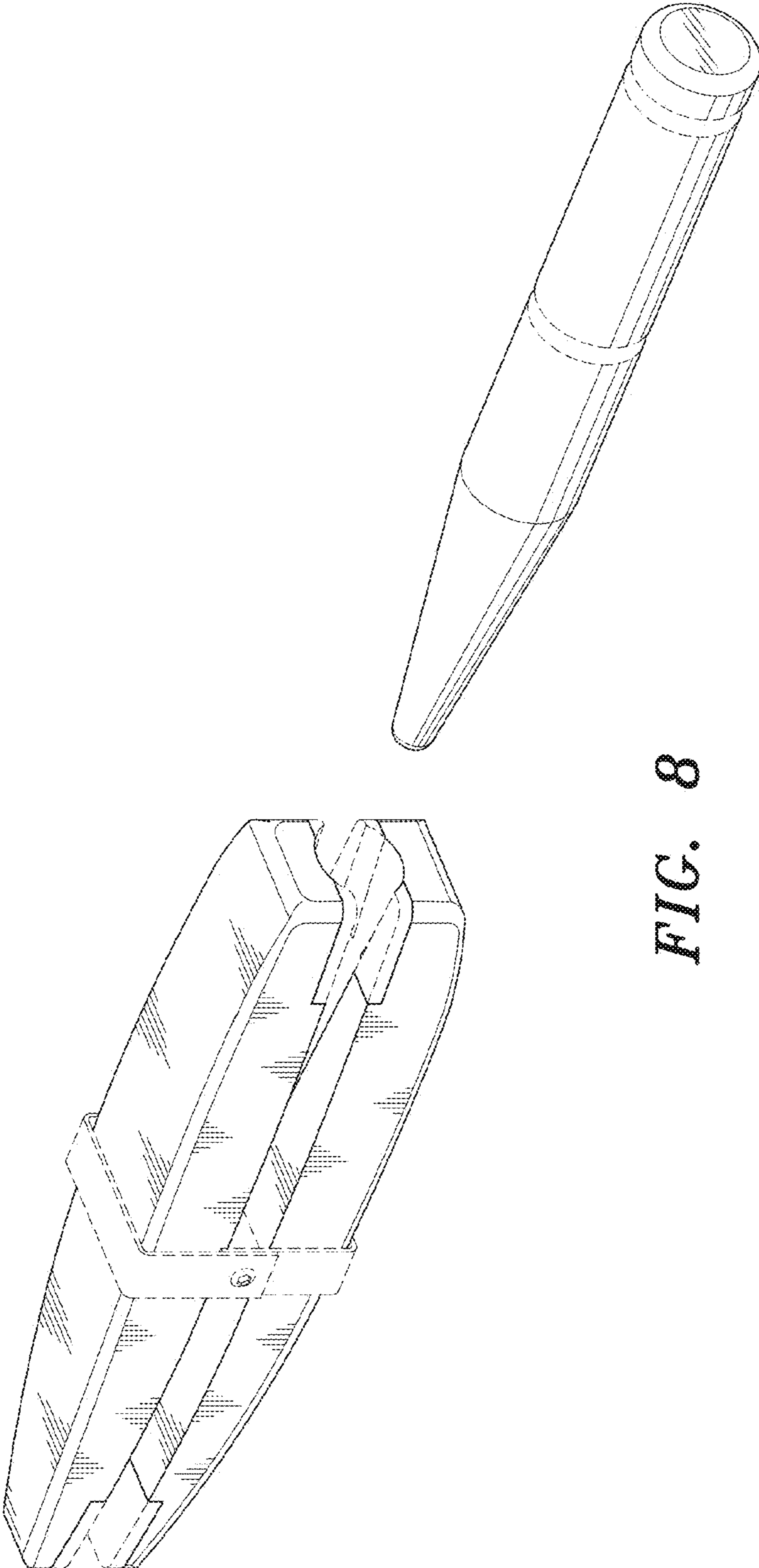


FIG. 8