

US00D742210S

(12) **United States Design Patent**
Carrubba

(10) **Patent No.:** **US D742,210 S**
(45) **Date of Patent:** **** Nov. 3, 2015**

(54) **SQUARE BALUSTER CONNECTOR**

(71) Applicant: **AS&C-USA, INC.**, White Plains, NY
(US)

(72) Inventor: **Vincent Carrubba**, Baldwin, NY (US)

(73) Assignee: **AS&C-USA, INC.**, White Plains, NY
(US)

(**) Term: **14 Years**

(21) Appl. No.: **29/485,601**

(22) Filed: **Mar. 20, 2014**

(51) **LOC (10) Cl.** **08-08**

(52) **U.S. Cl.**
USPC **D8/382**

(58) **Field of Classification Search**
USPC D8/382, 354, 349, 499, 373; D25/133,
D25/128, 100; D13/133, 154
CPC E04H 17/1421; E04F 11/18; E04F 11/00
See application file for complete search history.

(56) **References Cited**

U.S. PATENT DOCUMENTS

2,984,698	A *	5/1961	Strauss	174/138 R
D270,516	S *	9/1983	Achille	D8/354
D274,691	S *	7/1984	Wallace	D8/336
D298,011	S *	10/1988	Jans	D8/373
D347,782	S *	6/1994	Wentzel	D8/356
D435,430	S *	12/2000	Valentz et al.	D8/349
D513,536	S *	1/2006	Walker	D25/133
7,044,448	B1	5/2006	Jones		
D523,325	S	6/2006	Ignagni		
D547,463	S *	7/2007	Gross et al.	D25/133

7,278,240	B2 *	10/2007	Burkart et al.	52/155
D576,476	S *	9/2008	Didehvar	D8/373
D599,915	S *	9/2009	Godwin	D25/133
D619,094	S *	7/2010	Eilertsen et al.	D13/120
7,748,686	B1	7/2010	Harder		
7,762,533	B2	7/2010	DeRogatis et al.		
8,083,214	B2	12/2011	DeRogatis et al.		
2006/0175592	A1 *	8/2006	DeRogatis et al.	256/59

FOREIGN PATENT DOCUMENTS

FR	2870879	A1 *	12/2005	E04H 17/14
WO	WO 0190509	A1 *	11/2001	E04H 17/1421

* cited by examiner

Primary Examiner — Sheryl Lane

Assistant Examiner — Ieisha Price

(74) *Attorney, Agent, or Firm* — Kramer Amado P.C.

(57) **CLAIM**

The ornamental design for a square baluster connector, as shown and described.

DESCRIPTION

FIG. 1 is a top perspective view of the square baluster connector of the present invention.

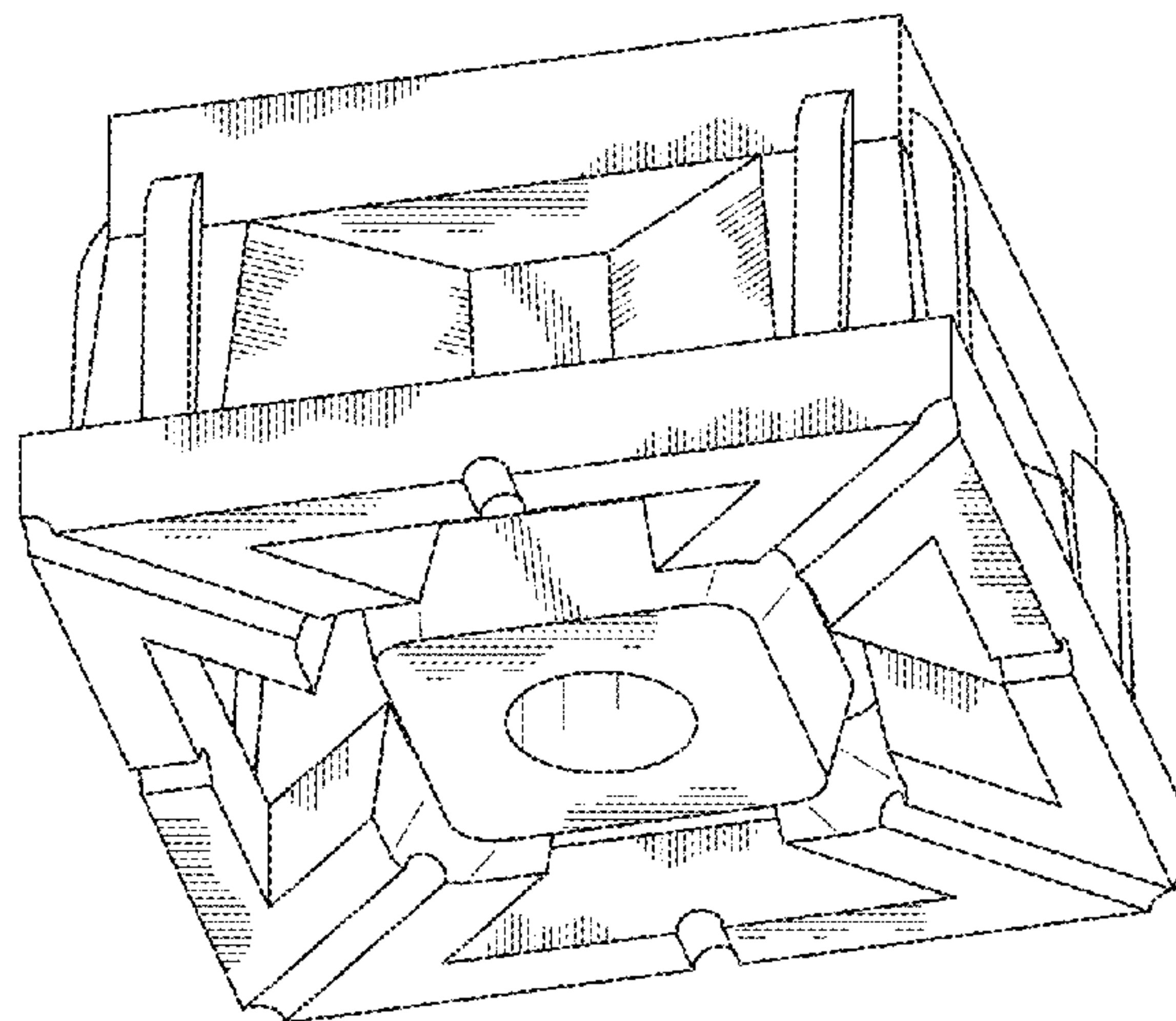
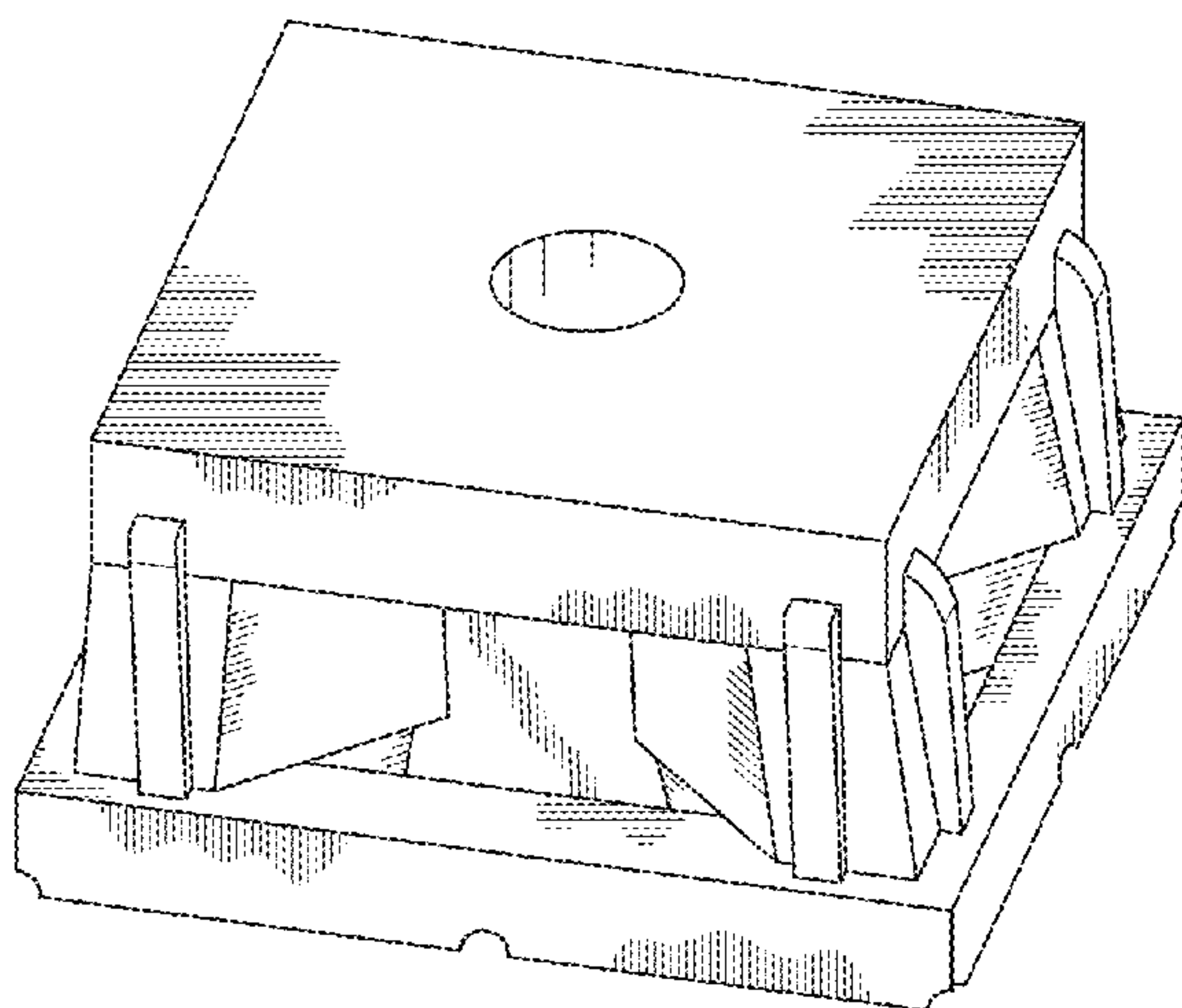
FIG. 2 is a bottom perspective view of the square baluster connector depicted in FIG. 1.

FIG. 3 is a top plan view of the square baluster connector depicted in FIG. 1.

FIG. 4 is a bottom plan view of the square baluster connector depicted in FIG. 1; and,

FIG. 5 is a front side plan view of the square baluster connector depicted in FIG. 1, where rear and side plan views of the square baluster connector are identical to the front side plan view.

1 Claim, 2 Drawing Sheets



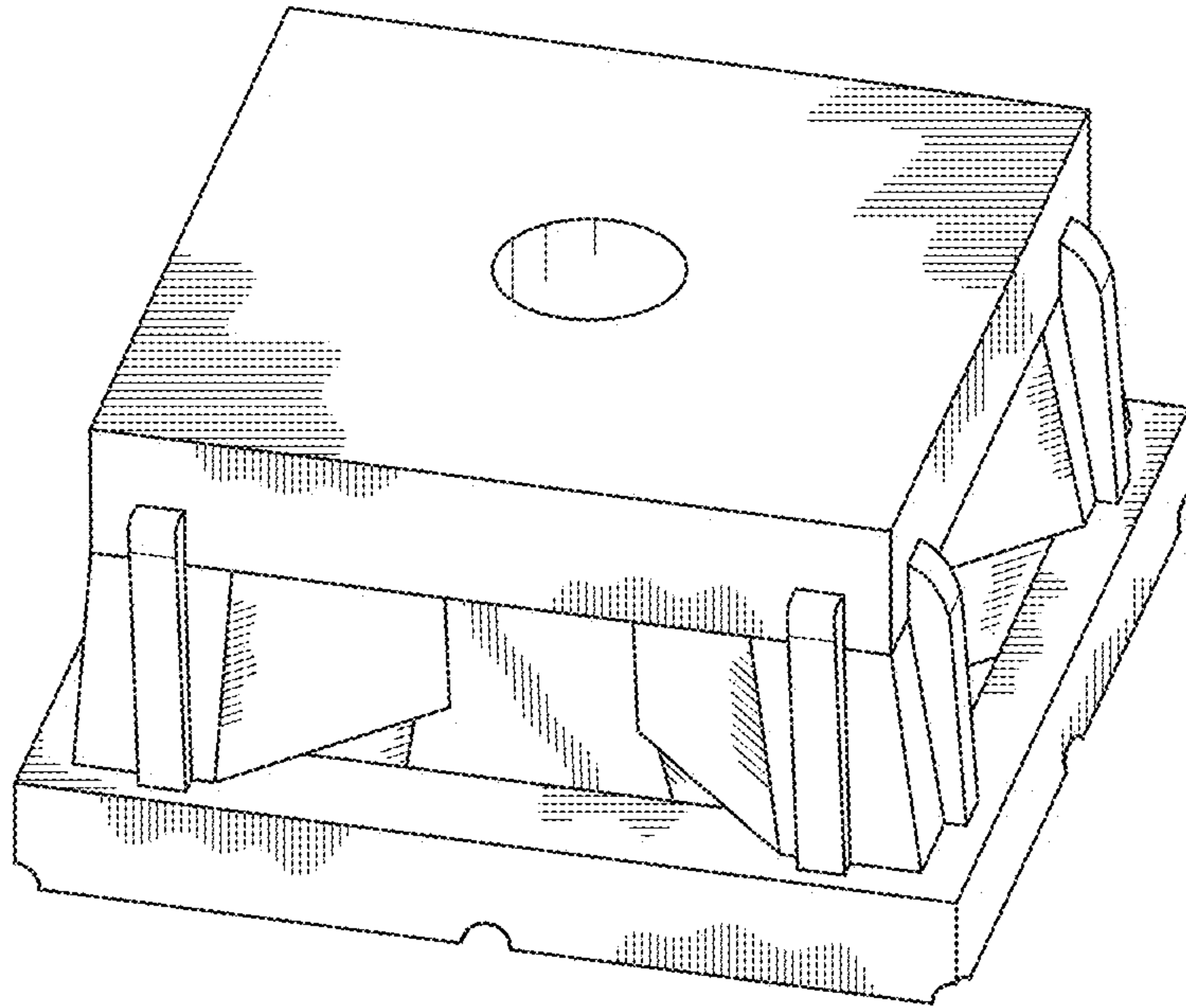


FIG. 1

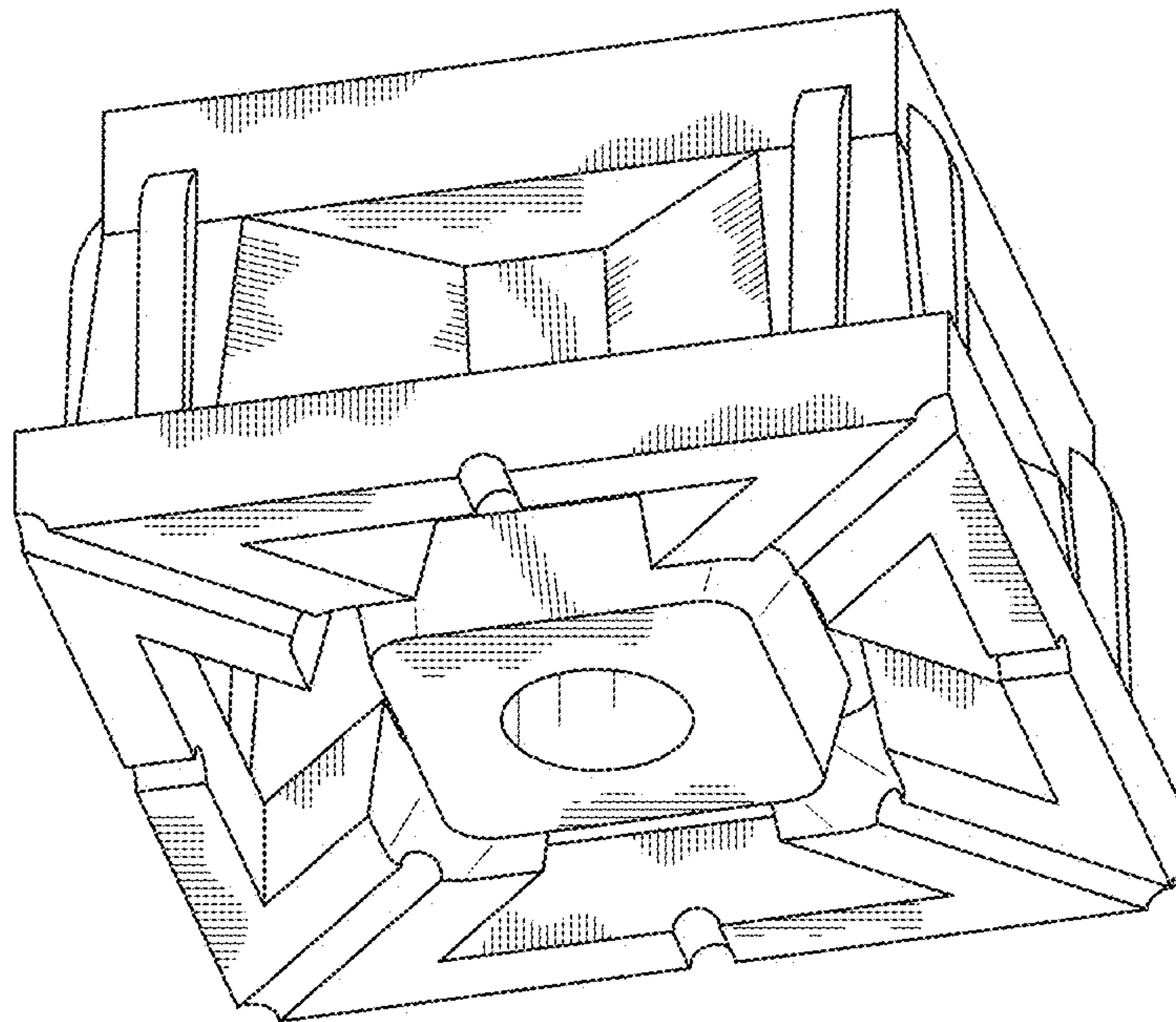


FIG. 2

FIG. 3

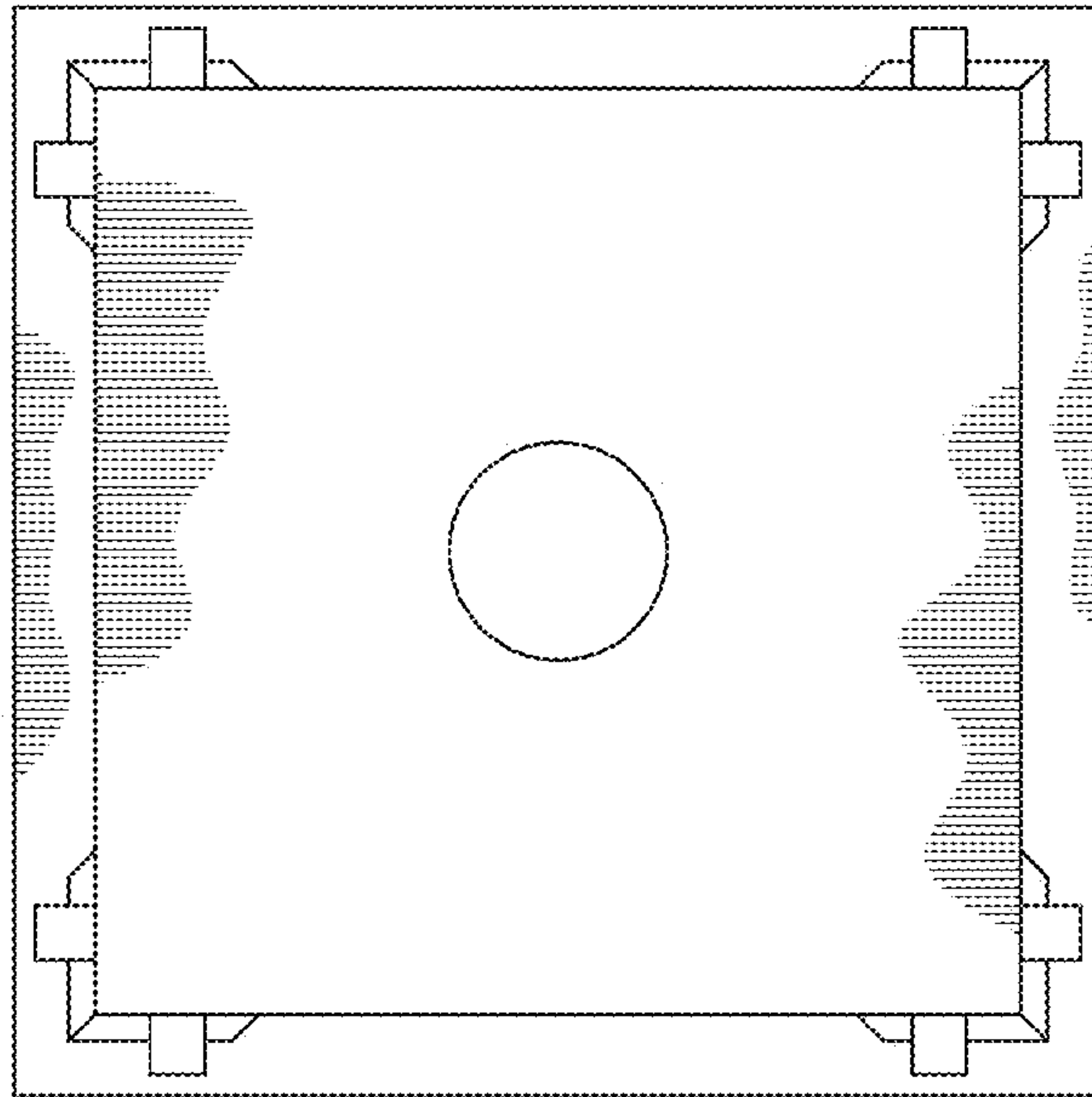


FIG. 4

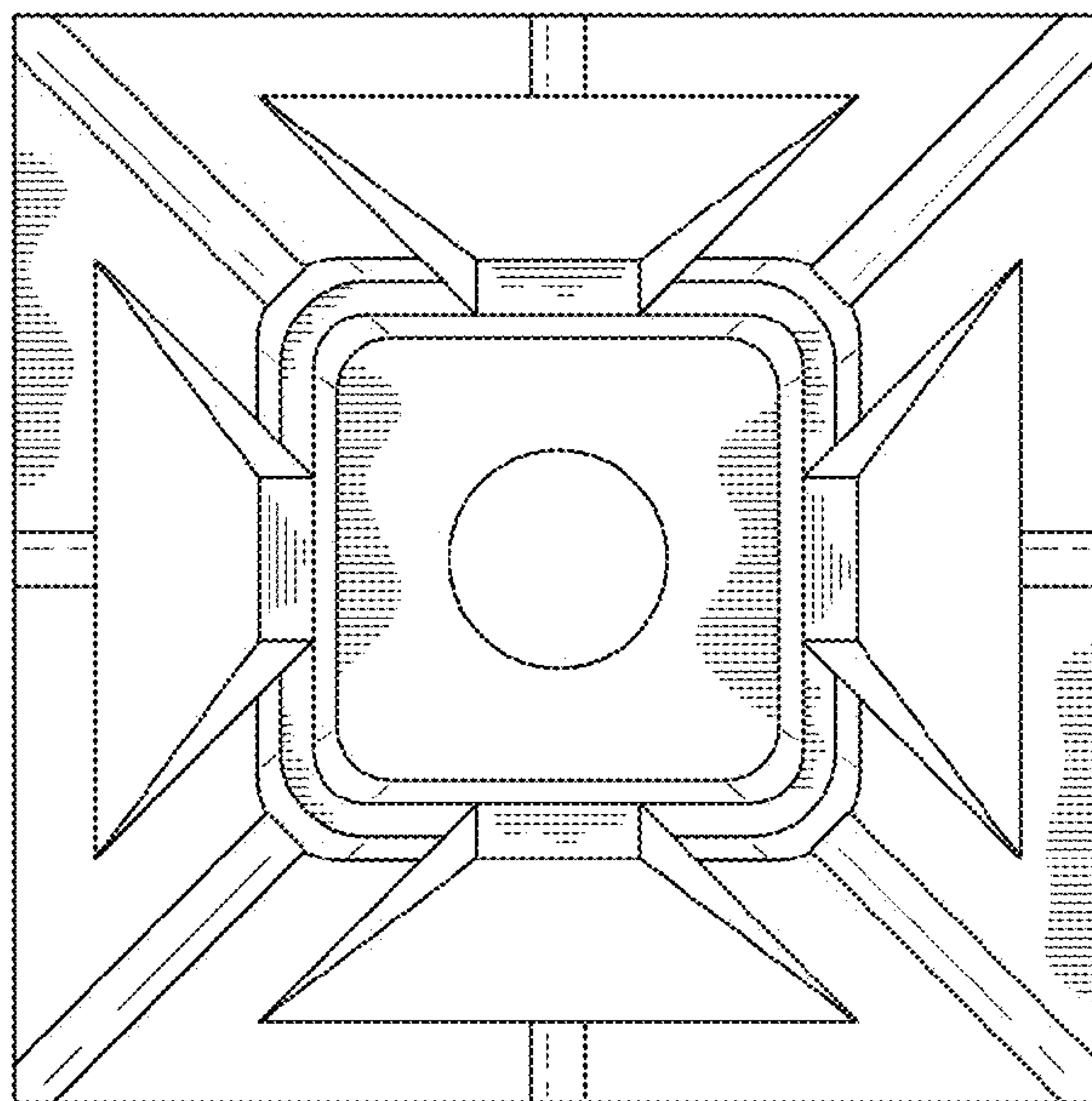


FIG. 5

