



US00D742208S

(12) **United States Design Patent**
Charette

(10) **Patent No.:** **US D742,208 S**

(45) **Date of Patent:** **** Nov. 3, 2015**

(54) **MOUNTING BASE**

(71) Applicant: **9143-8010 QUÉBEC INC.**, Shawnigan
Sud (CA)

(72) Inventor: **Pierre Charette**, Notre-Dame-du-Mont
Carmel (CA)

(73) Assignee: **9143-8010 QUÉBEC INC.**, Shawnigan
Sud (CA)

(**) Term: **14 Years**

(21) Appl. No.: **29/510,138**

(22) Filed: **Nov. 25, 2014**

(51) **LOC (10) Cl.** **08-05**

(52) **U.S. Cl.**
USPC **D8/373**

(58) **Field of Classification Search**
USPC D8/375, 374, 381, 382, 380, 318, 373,
D8/377, 363, 358, 384, 376, 385, 388, 389,
D8/355, 394, 356, 396; D3/279, 271.12;
D12/223; D34/14, 19, 24, 25, 27;
D21/424, 425, 533, 534, 535, 536;
D20/41, 43; D4/199; D19/135;
D25/131
CPC . E04H 17/20; E04H 12/2215; E04H 12/2292;
E04H 12/2238; E04H 12/2223; E04H 15/34;
E06B 11/025; A63B 2071/024; F21S 8/081;
A47C 9/06; F16B 5/0685; F16B 9/026

See application file for complete search history.

(56) **References Cited**

U.S. PATENT DOCUMENTS

D227,743 S *	7/1973	Keegan	D8/396
D237,836 S *	11/1975	Anderson	D8/373
D316,511 S *	4/1991	White, Jr.	D8/373
D356,244 S *	3/1995	Merritt	D8/394
D401,844 S *	12/1998	Klippert et al.	D8/375
D430,789 S *	9/2000	Opperman	D8/363
D442,065 S *	5/2001	Rohde	D8/356
D563,776 S *	3/2008	Dagg	D8/382
D591,586 S *	5/2009	Dagg	D8/382
D598,736 S *	8/2009	Wakasugi et al.	D8/382
D599,649 S *	9/2009	Wakasugi et al.	D8/382

* cited by examiner

Primary Examiner — Robert M Spear

Assistant Examiner — Eliza Bennett-Hattan

(74) *Attorney, Agent, or Firm* — Welsh Flaxman & Gitler
LLC

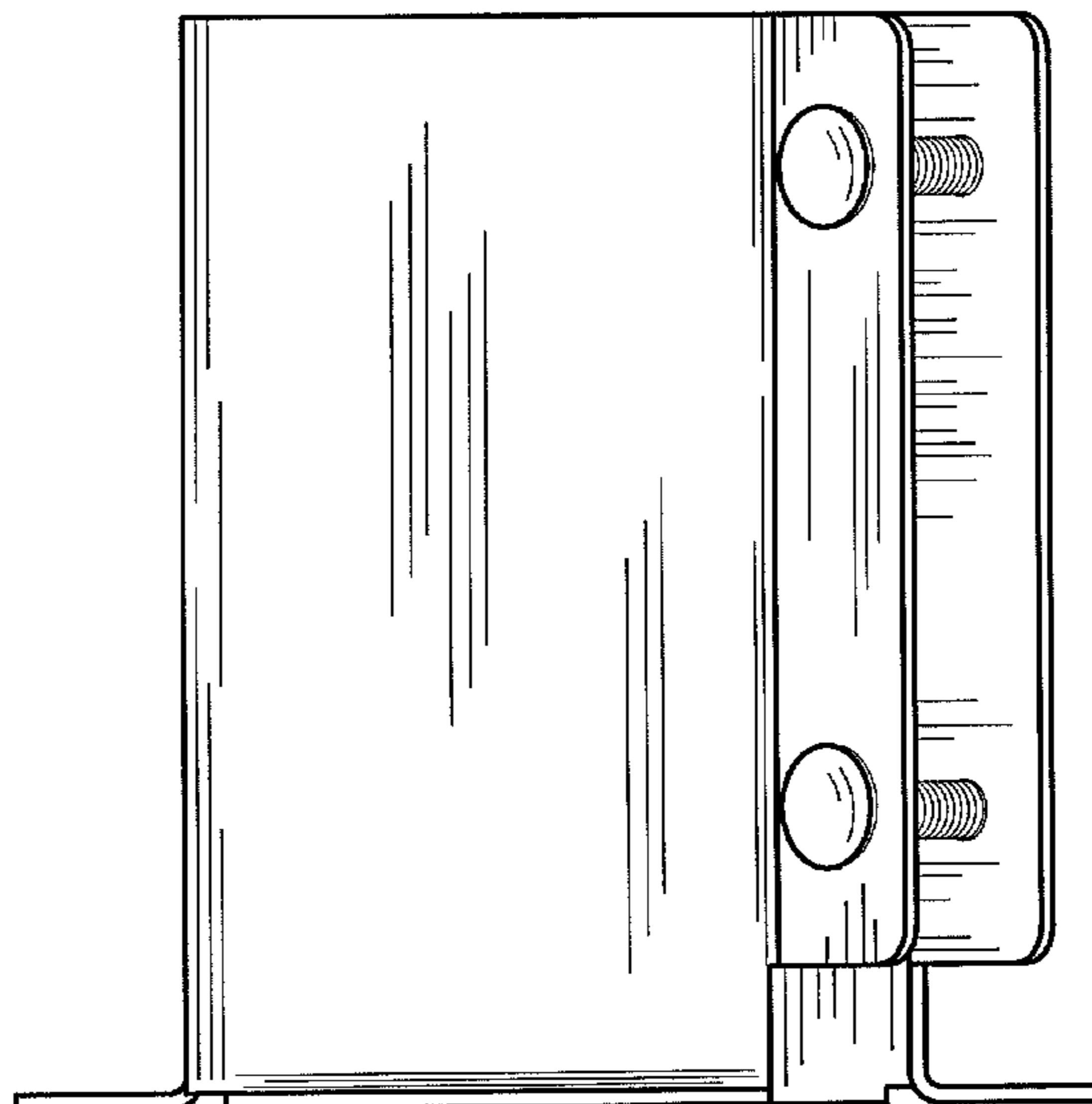
(57) **CLAIM**

The ornamental design for a mounting base, as shown and described.

DESCRIPTION

FIG. 1 is a front view of the mounting base;
FIG. 2 is a back view of the mounting base;
FIG. 3 is a right side view of the mounting base;
FIG. 4 is a left side view of the mounting base;
FIG. 5 is a bottom view of the mounting base;
FIG. 6 is a top view of the mounting base;
FIG. 7 is a top angled perspective view of the mounting base;
and,
FIG. 8 is a rear top angled perspective view of the mounting base.

1 Claim, 8 Drawing Sheets



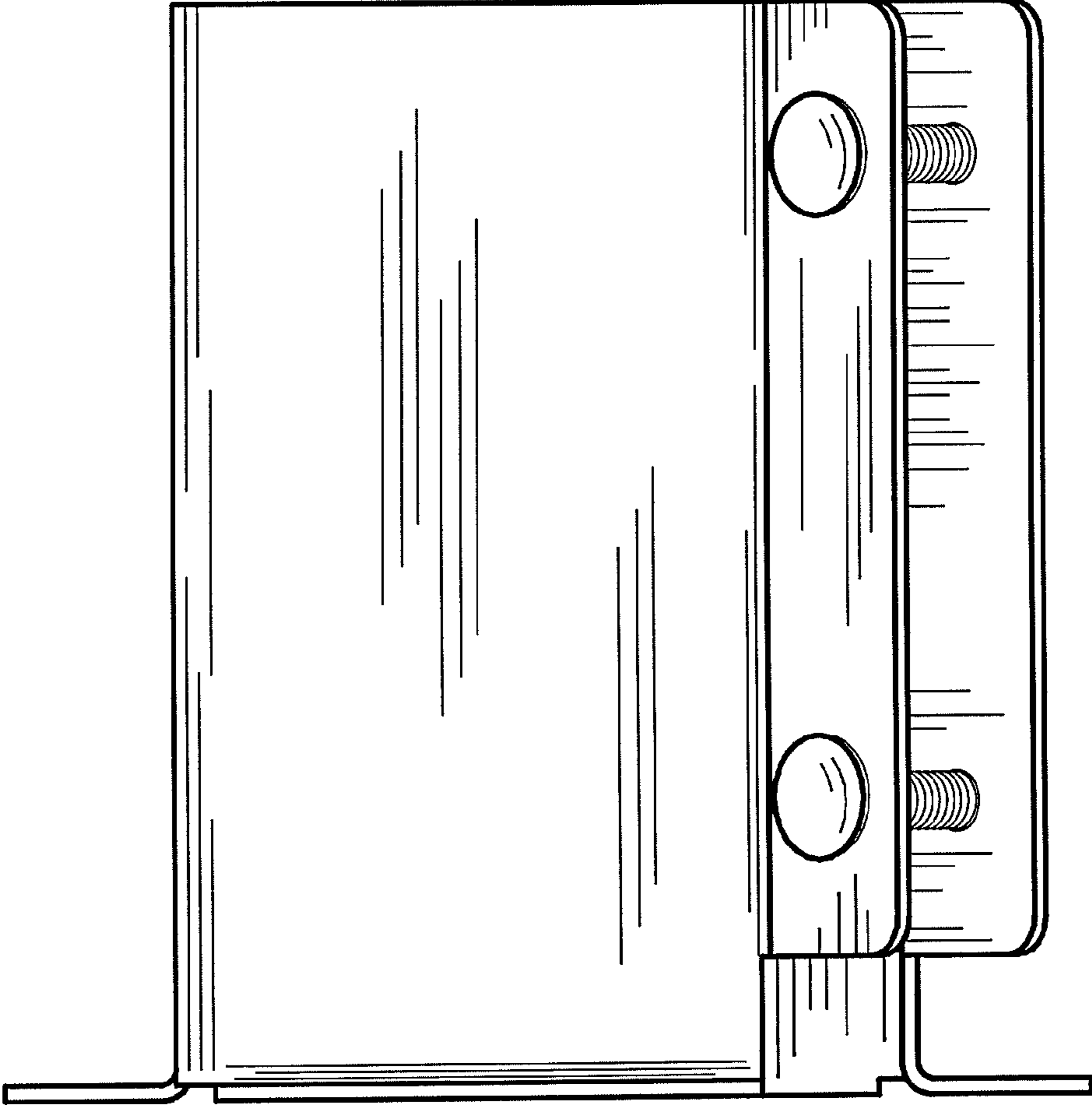


FIGURE 1

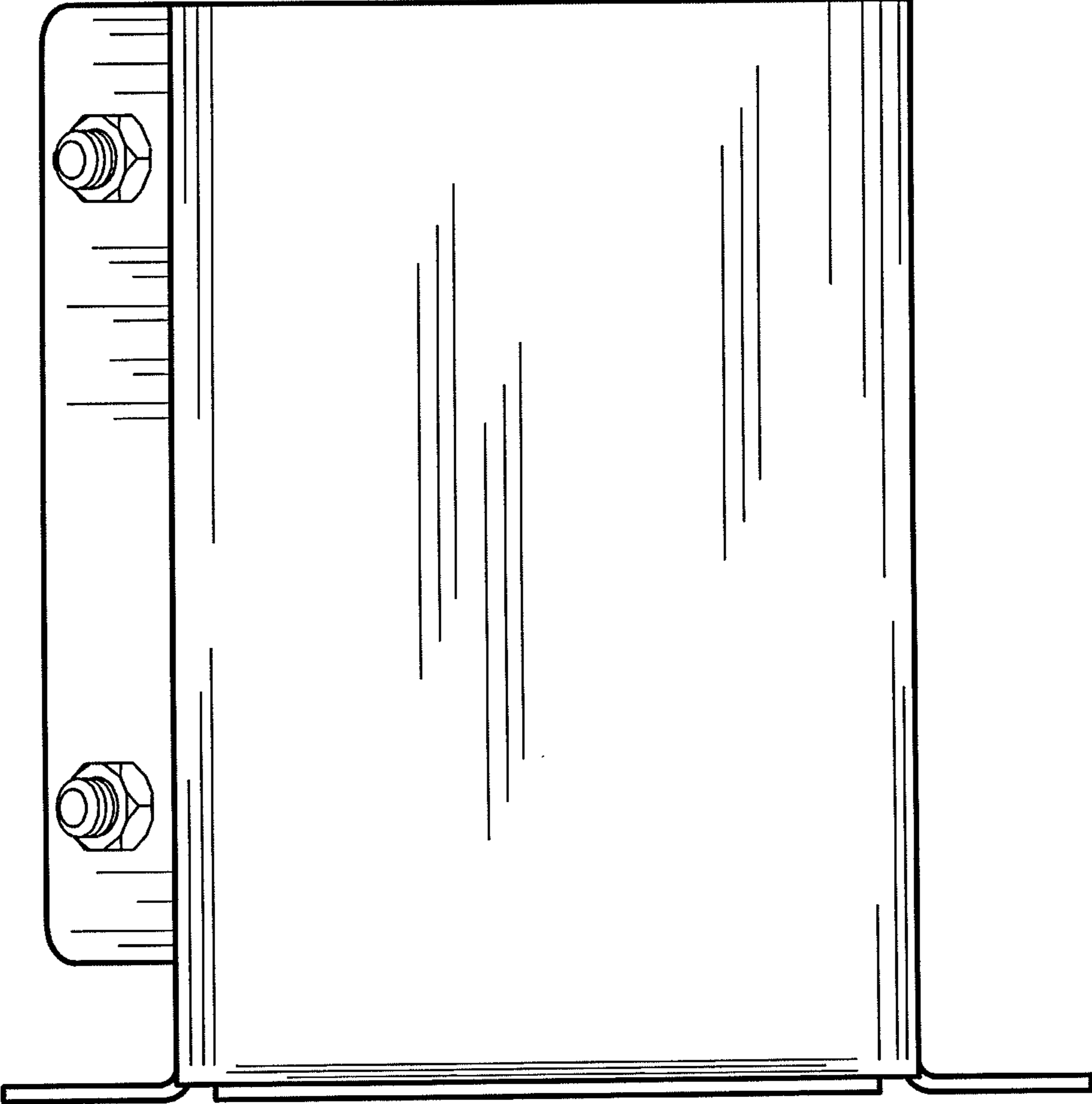


FIGURE 2

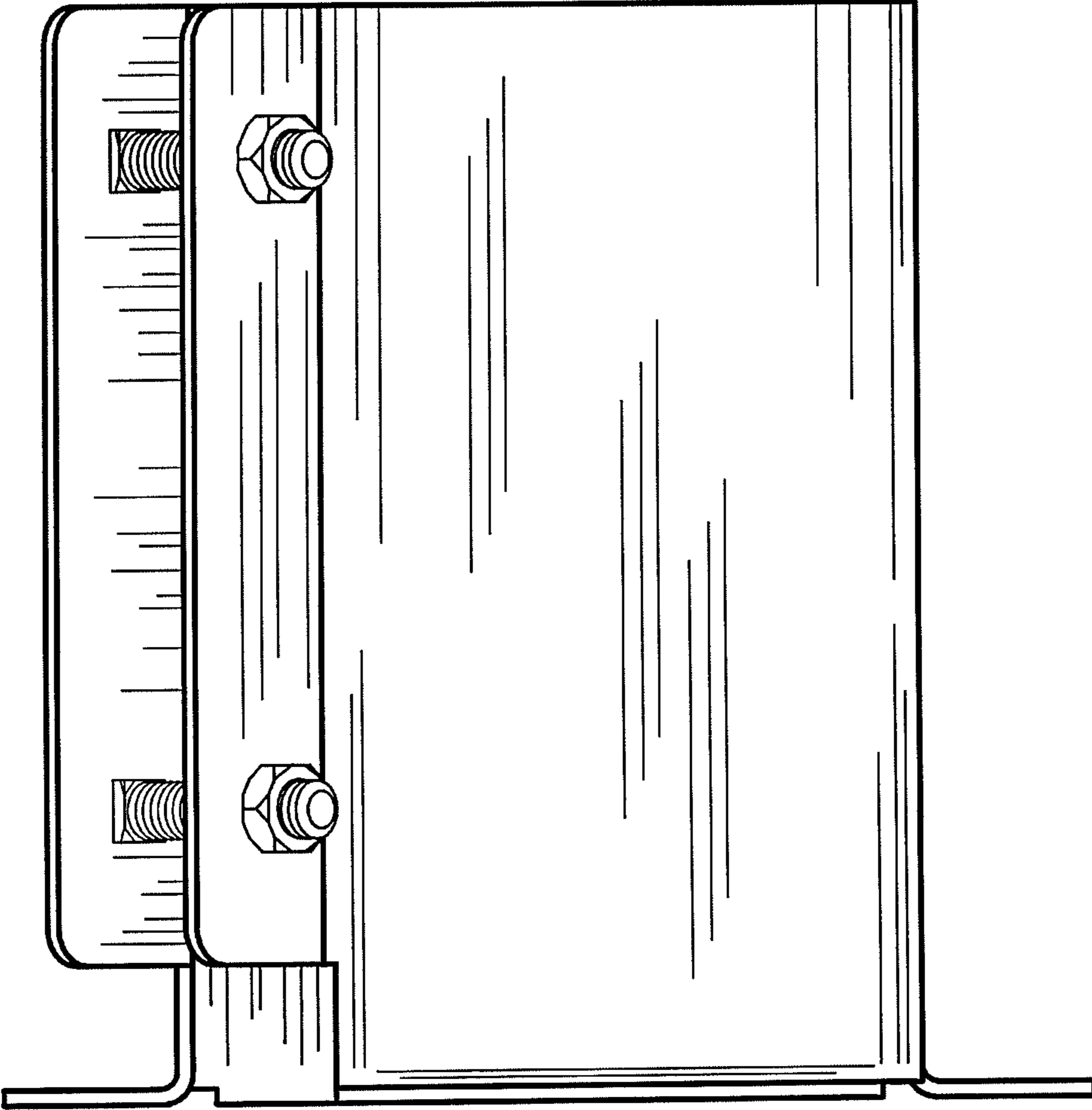


FIGURE 3

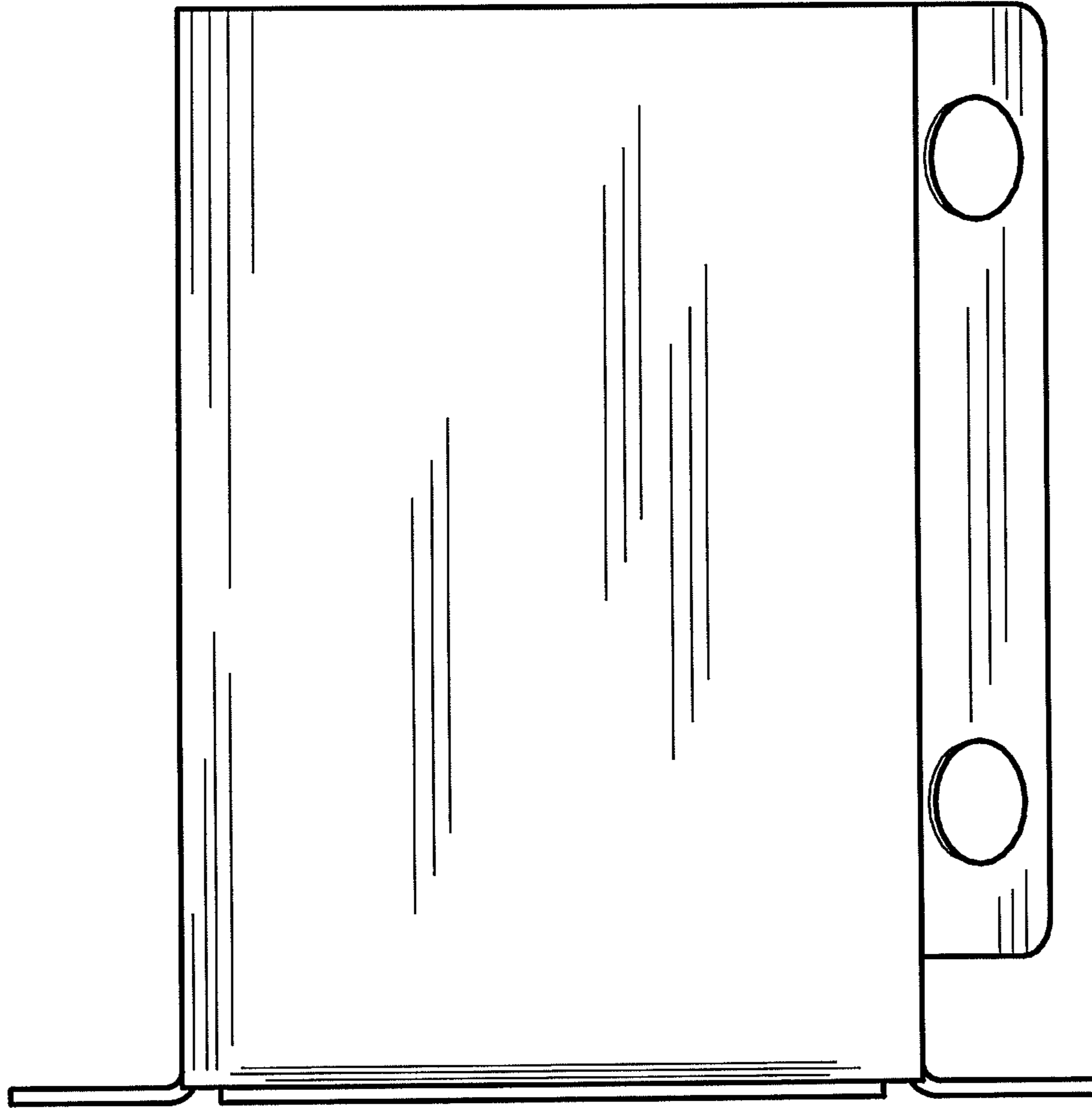


FIGURE 4

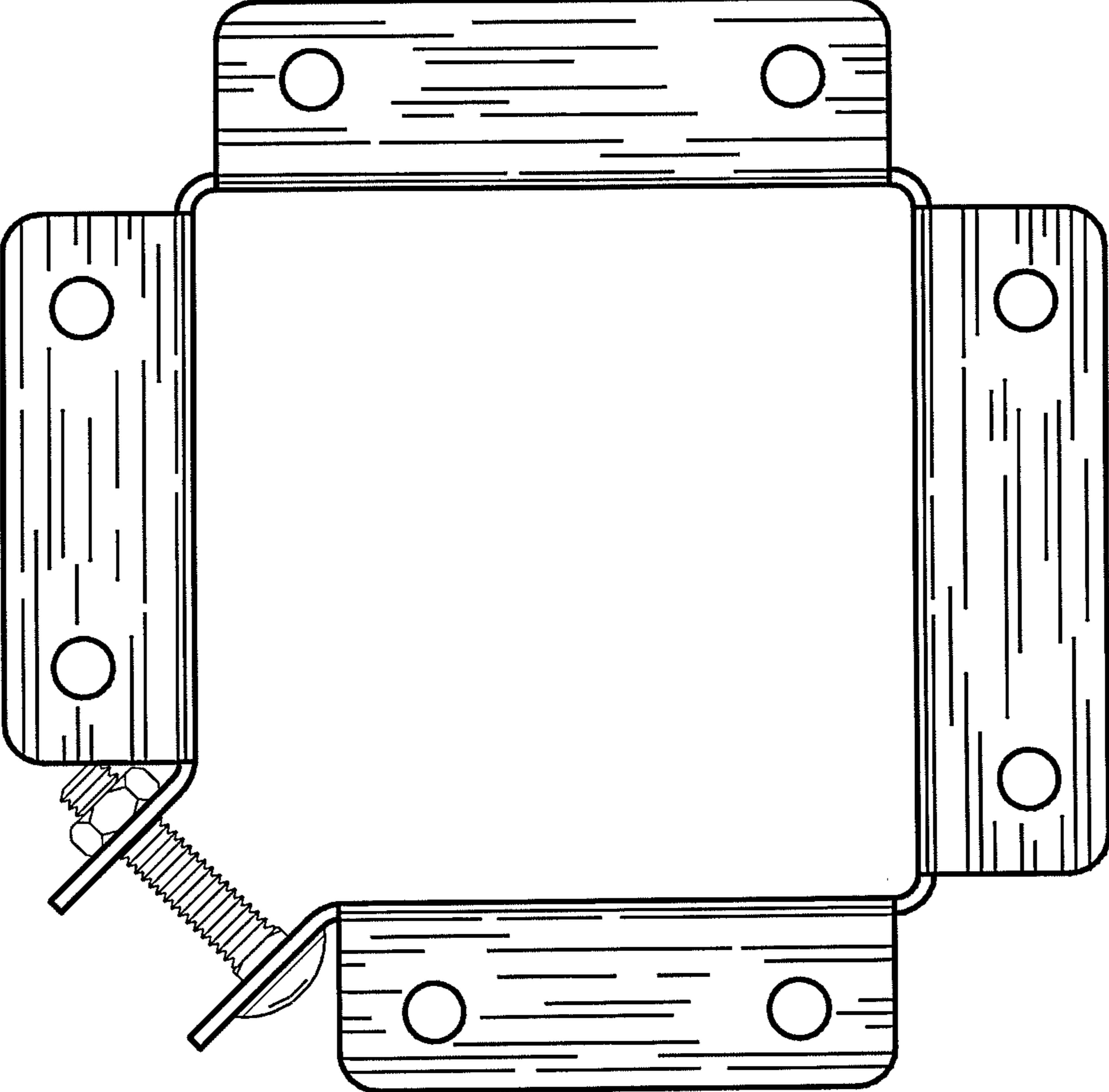


FIGURE 5

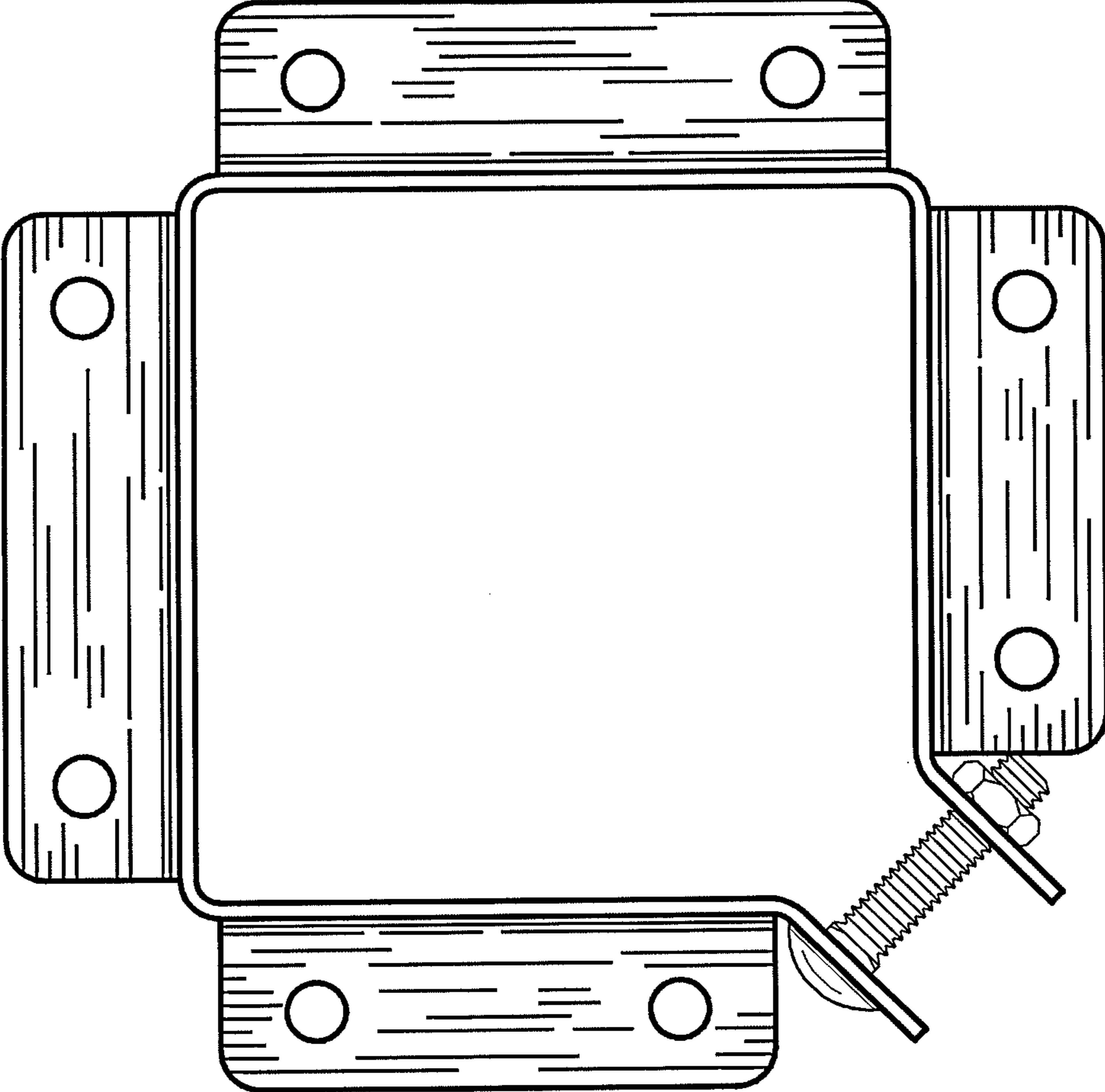


FIGURE 6

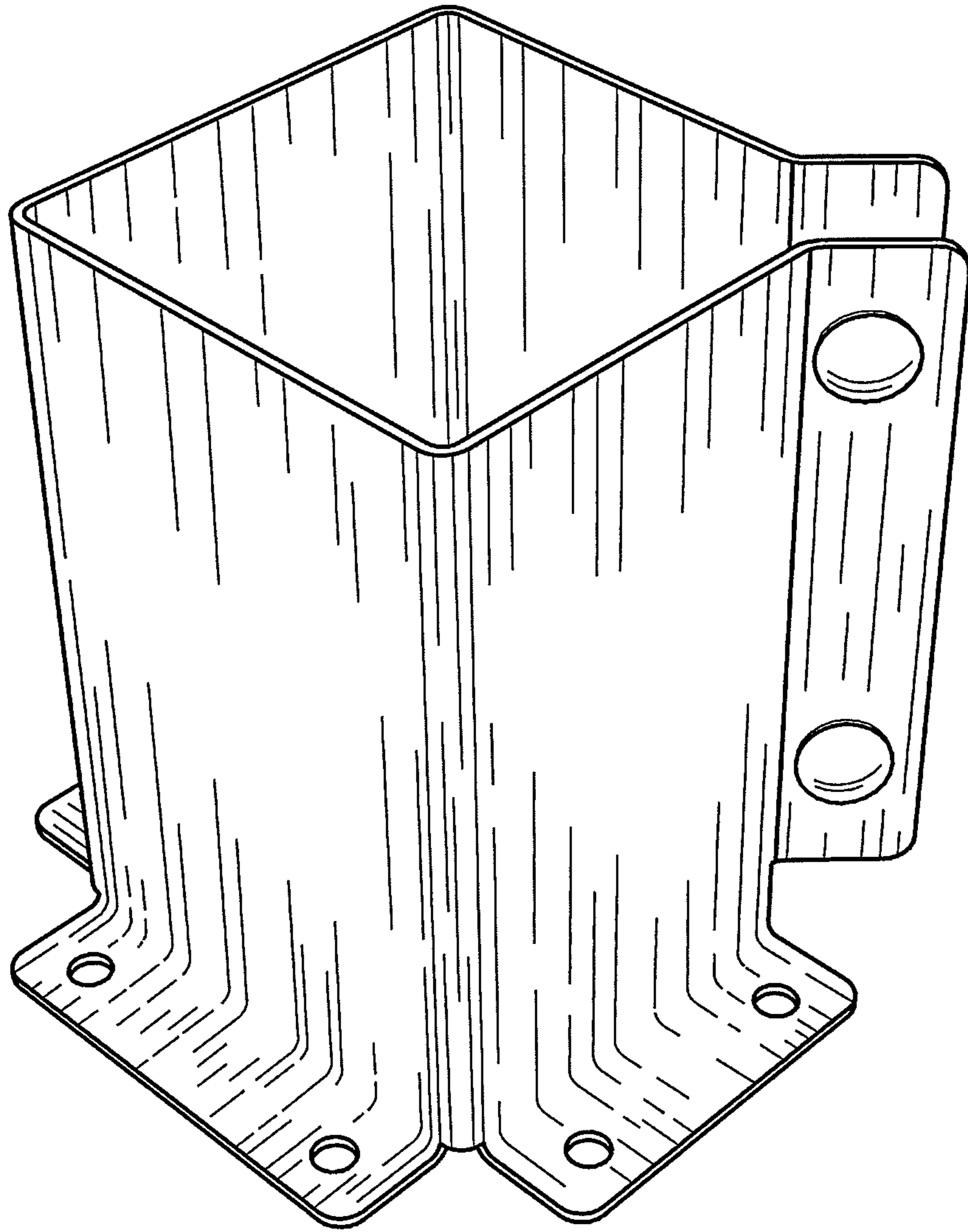


FIGURE 7

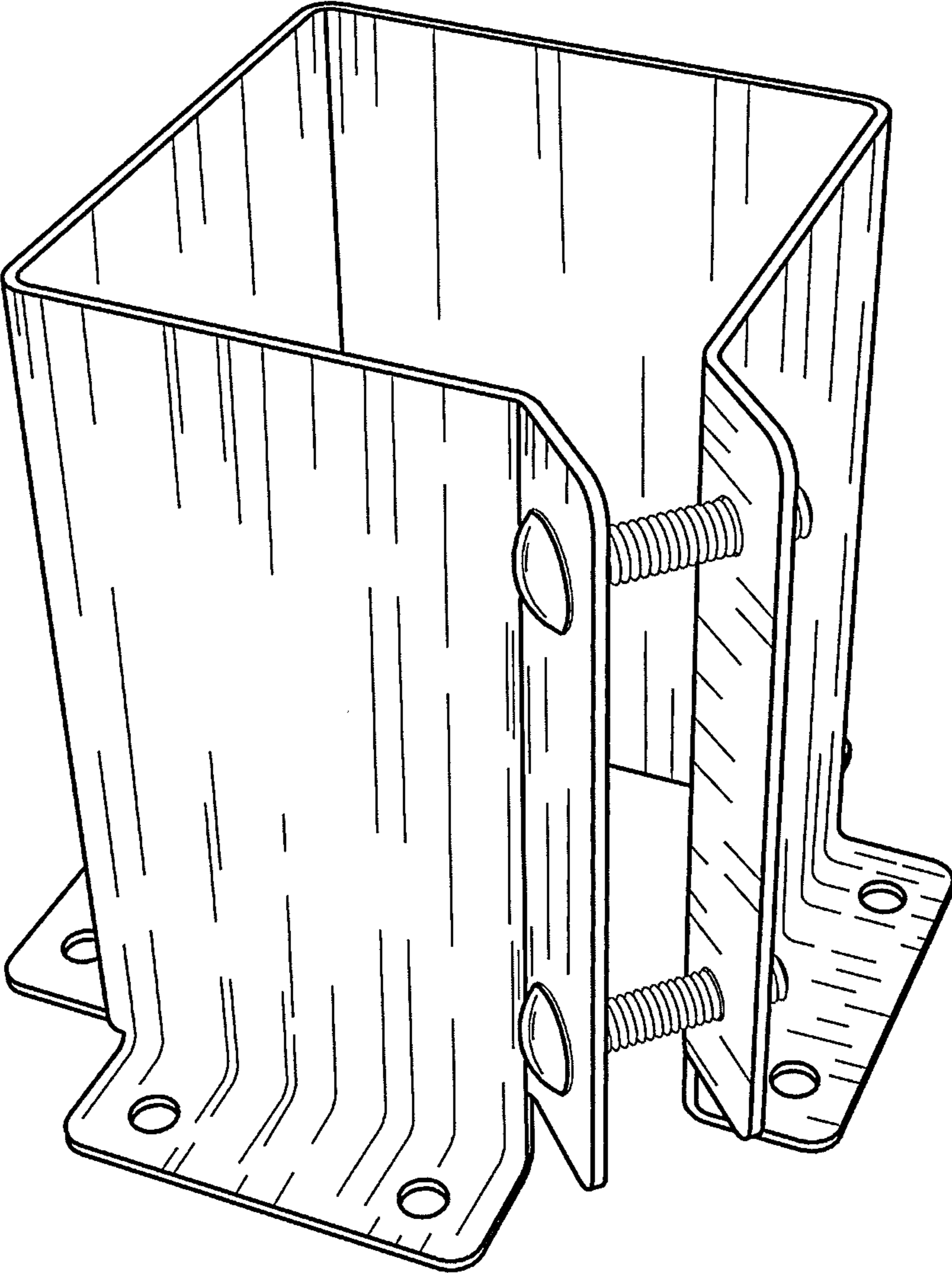


FIGURE 8