



US00D742206S

(12) **United States Design Patent**
Bowman et al.

(10) **Patent No.:** **US D742,206 S**
(45) **Date of Patent:** **** Nov. 3, 2015**

(54) **ADJUSTABLE SUPPORT ARM**

(71) Applicant: **Innovative Office Products, LLC**,
Easton, PA (US)

(72) Inventors: **Stephen J. Bowman**, Allentown, PA
(US); **Peter J. Carrasquillo**, Easton, PA
(US); **Michael P. Smith**, Allentown, PA
(US); **Robert J. Cohn**, Dallas, PA (US)

(73) Assignee: **Innovative Office Products, LLC**,
Easton, PA (US)

(**) Term: **14 Years**

(21) Appl. No.: **29/491,277**

(22) Filed: **May 20, 2014**

(51) **LOC (10) Cl.** **08-05**

(52) **U.S. Cl.**
USPC **D8/363**

(58) **Field of Classification Search**
USPC D8/16, 18, 19, 20, 105, 356, 363, 366,
D8/370-377, 380-382; D6/406.2;
D12/106, 48
CPC B25F 1/00; B25F 1/02; A45F 2200/0575;
G01B 5/18

See application file for complete search history.

(56) **References Cited**

U.S. PATENT DOCUMENTS

D414,578	S	*	9/1999	Chen et al.	D26/65
D557,125	S	*	12/2007	Worrall et al.	D8/380
D563,774	S	*	3/2008	Wohlford et al.	D8/363
D566,530	S	*	4/2008	Brassard	D8/363
D580,742	S	*	11/2008	Short	D8/363
D602,342	S	*	10/2009	Brassard	D8/363
D609,079	S	*	2/2010	Wheeler	D8/363
D611,802	S	*	3/2010	Li	D8/363
D675,905	S	*	2/2013	Bowman et al.	D8/363
8,393,584	B2		3/2013	Burns		
RE44,740	E	*	2/2014	Ciungan	D8/363
2010/0252696	A1		10/2010	Sage		

2011/0255219 A1 10/2011 Ou
2012/0175474 A1 7/2012 Barnard et al.
2012/0252543 A1 10/2012 Cho
2013/0112841 A1 5/2013 Fan

OTHER PUBLICATIONS

Twelve South; [retrieved Mar. 28, 2013] Retrieved from internet:
<http://www.twelvesouth.com/products/hoverbar>.
IOMounts; [retrieved Mar. 28, 2013] Retrieved from internet: <http://www.iomounts.com/collections/frontpage/products/iostand>.

* cited by examiner

Primary Examiner — Robert M Spear
Assistant Examiner — Eliza Bennett-Hattan
(74) *Attorney, Agent, or Firm* — Design IP

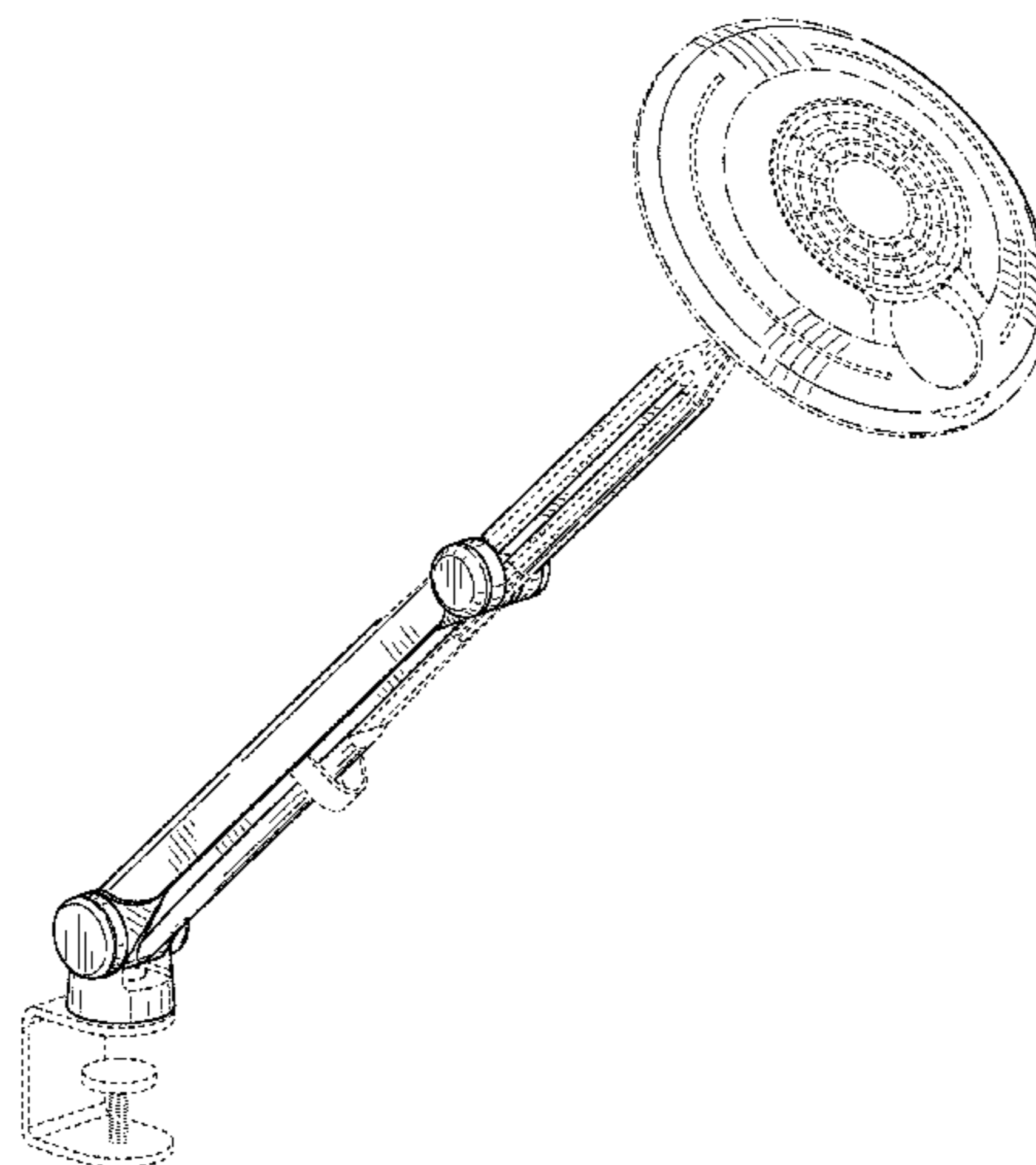
(57) **CLAIM**

The ornamental design for an adjustable support arm, as shown and described.

DESCRIPTION

FIG. 1 is a perspective view of a first embodiment of an adjustable support arm showing our new design;
FIG. 2 is a left side view thereof;
FIG. 3 is a right side view thereof;
FIG. 4 is a front view thereof;
FIG. 5 is a rear view thereof;
FIG. 6 is a top view thereof;
FIG. 7 is a bottom view thereof;
FIG. 8 is a perspective view thereof, with the parts of the adjustable support arm in a different configuration; and,
FIG. 9 is a perspective view thereof, with the parts of the adjustable support arm in a different configuration.
The dash-dot lines shown in FIGS. 1-9 represent boundary lines between claimed and unclaimed subject matter, with the dash-dot lines themselves representing unclaimed subject matter. The dashed lines shown in FIGS. 1-9 are included for the purpose of illustrating environmental subject matter only and form no part of the claimed design.

1 Claim, 7 Drawing Sheets



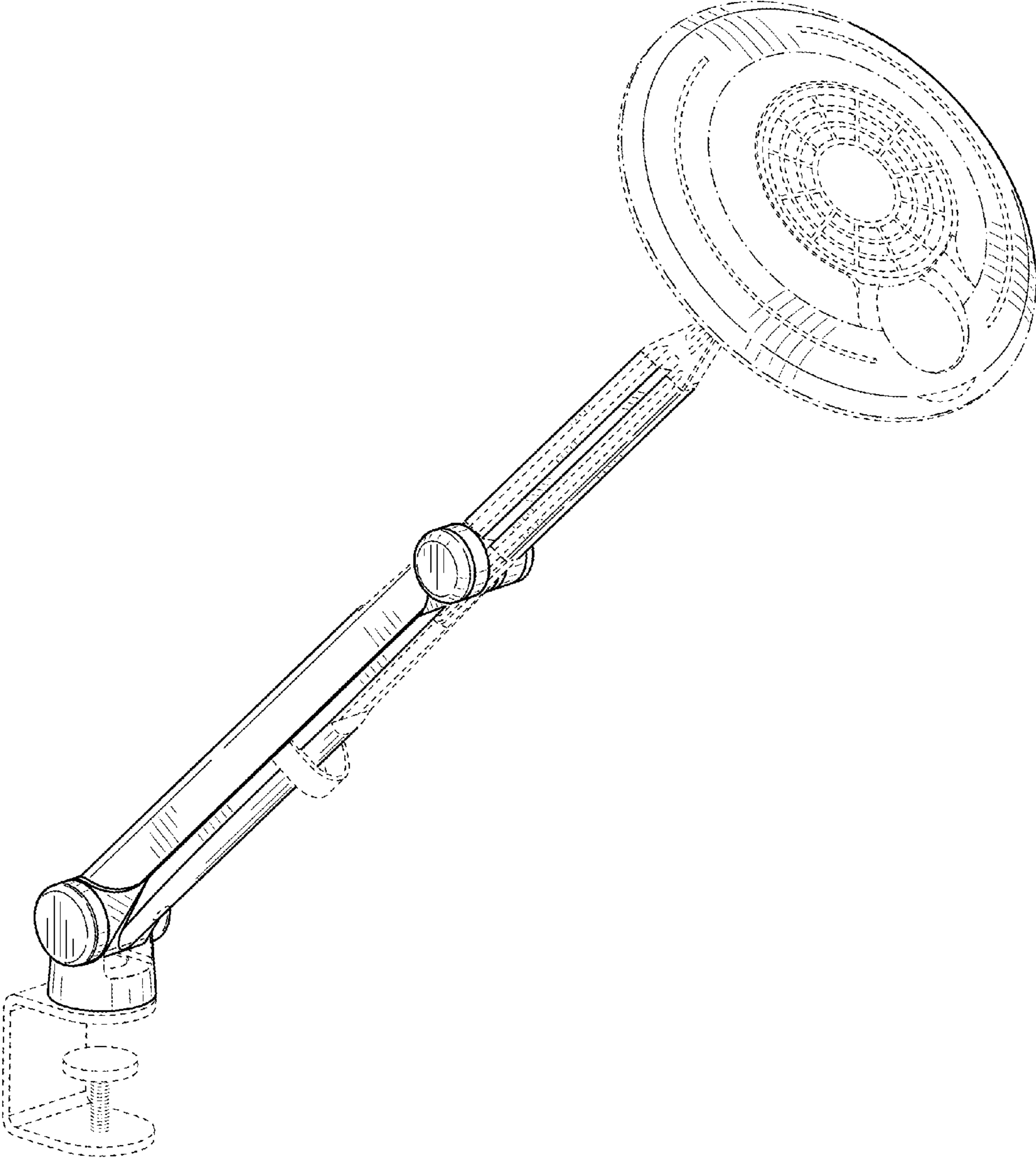


FIG. 1

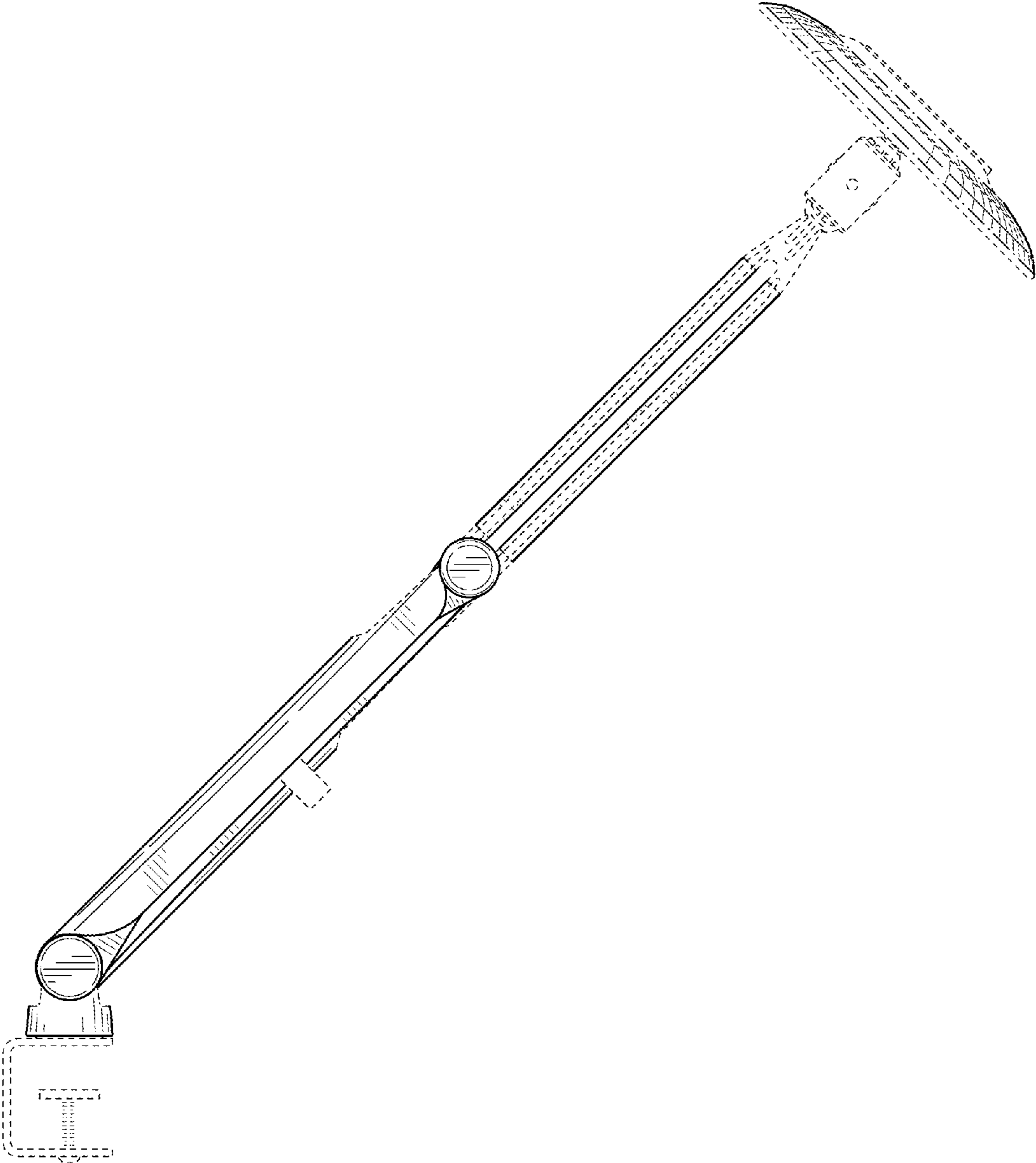


FIG. 2

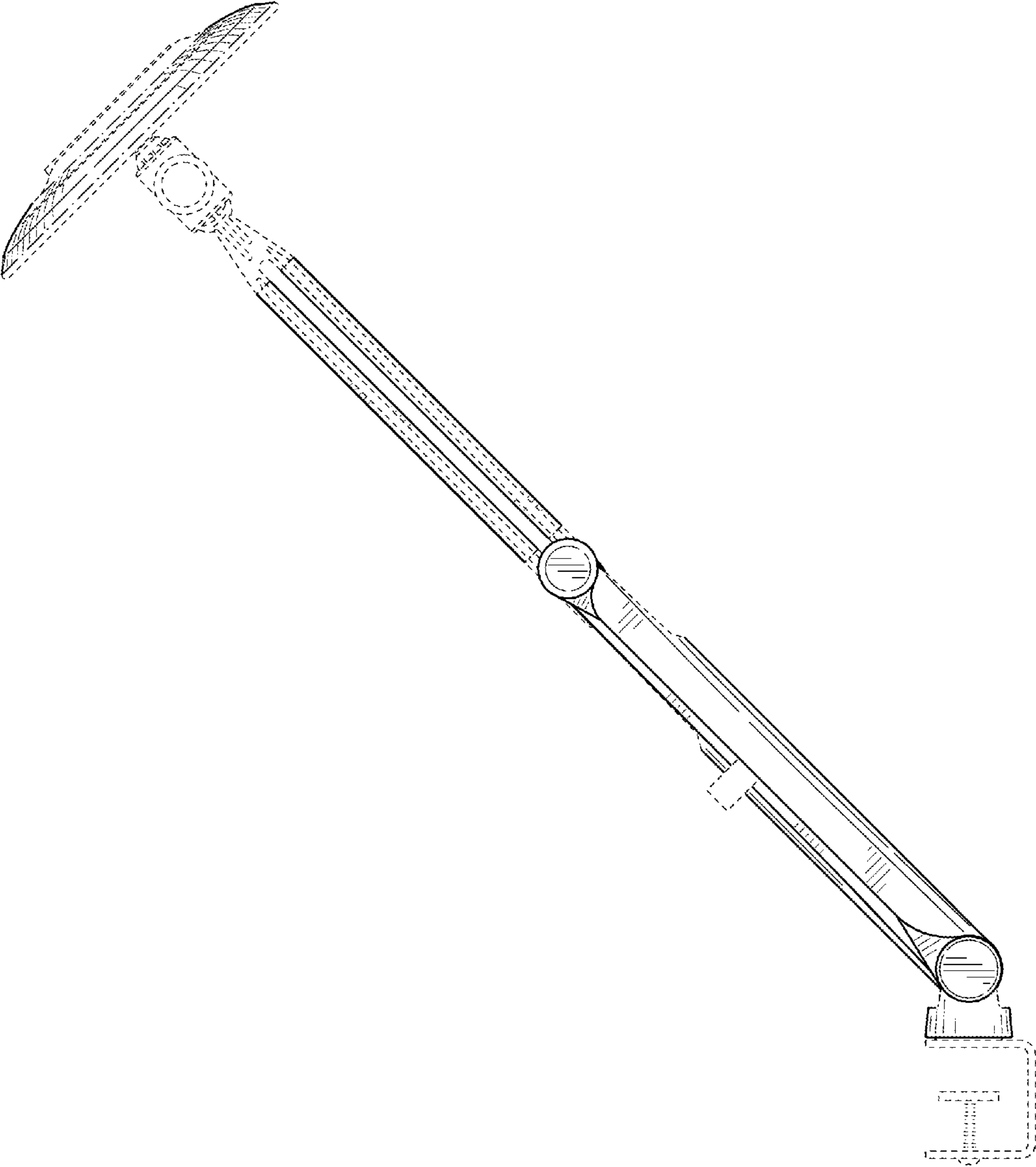


FIG. 3

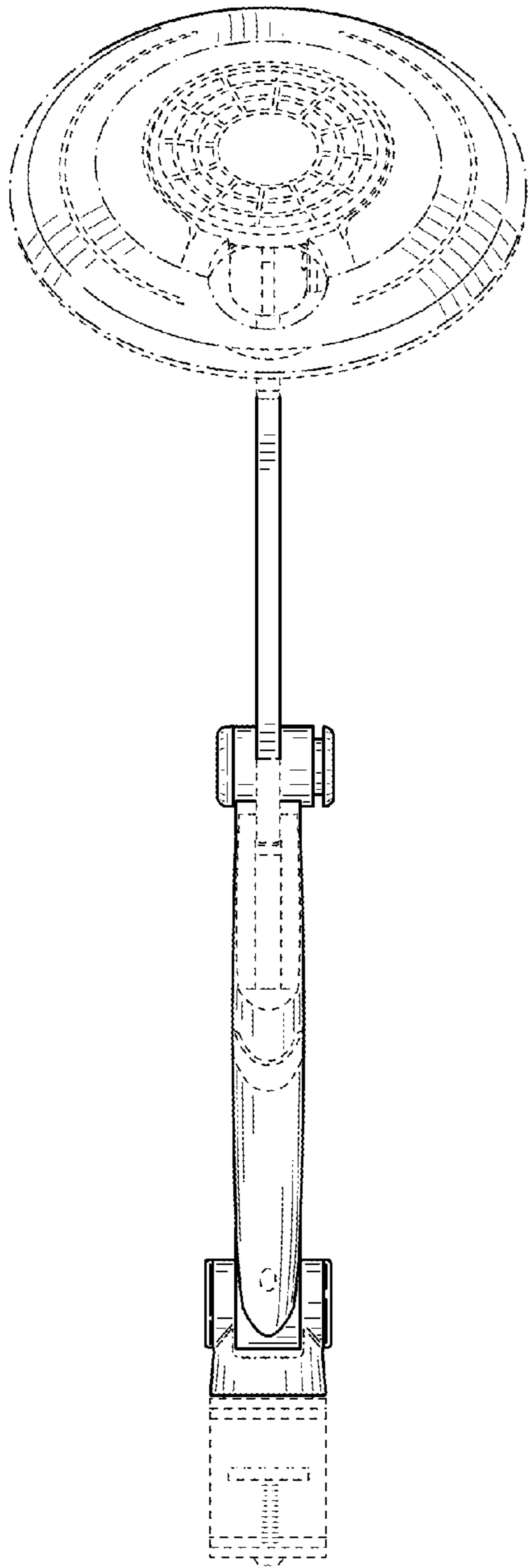


FIG. 4

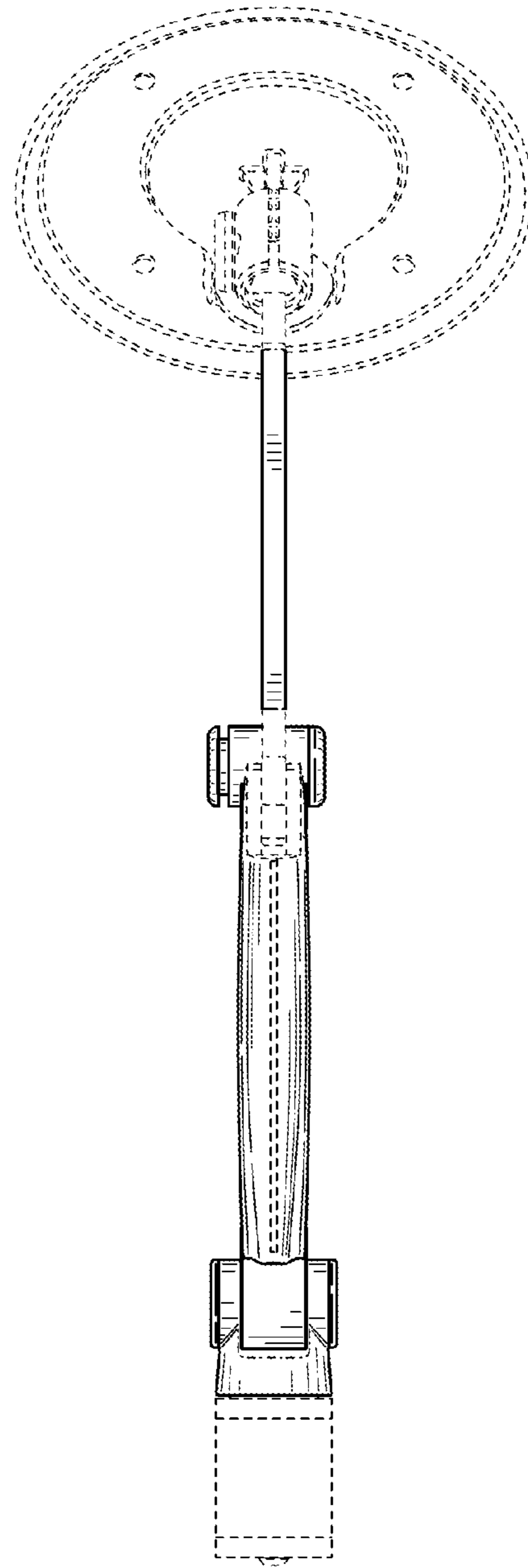


FIG. 5

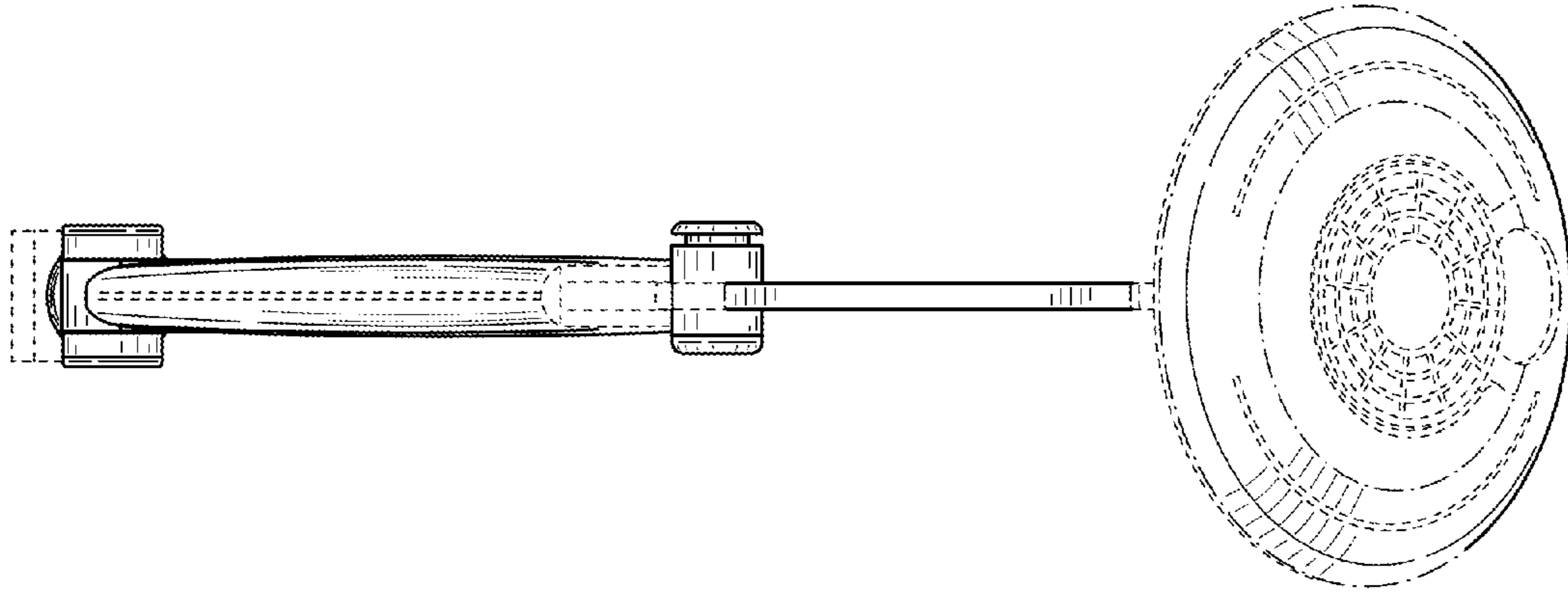


FIG. 6

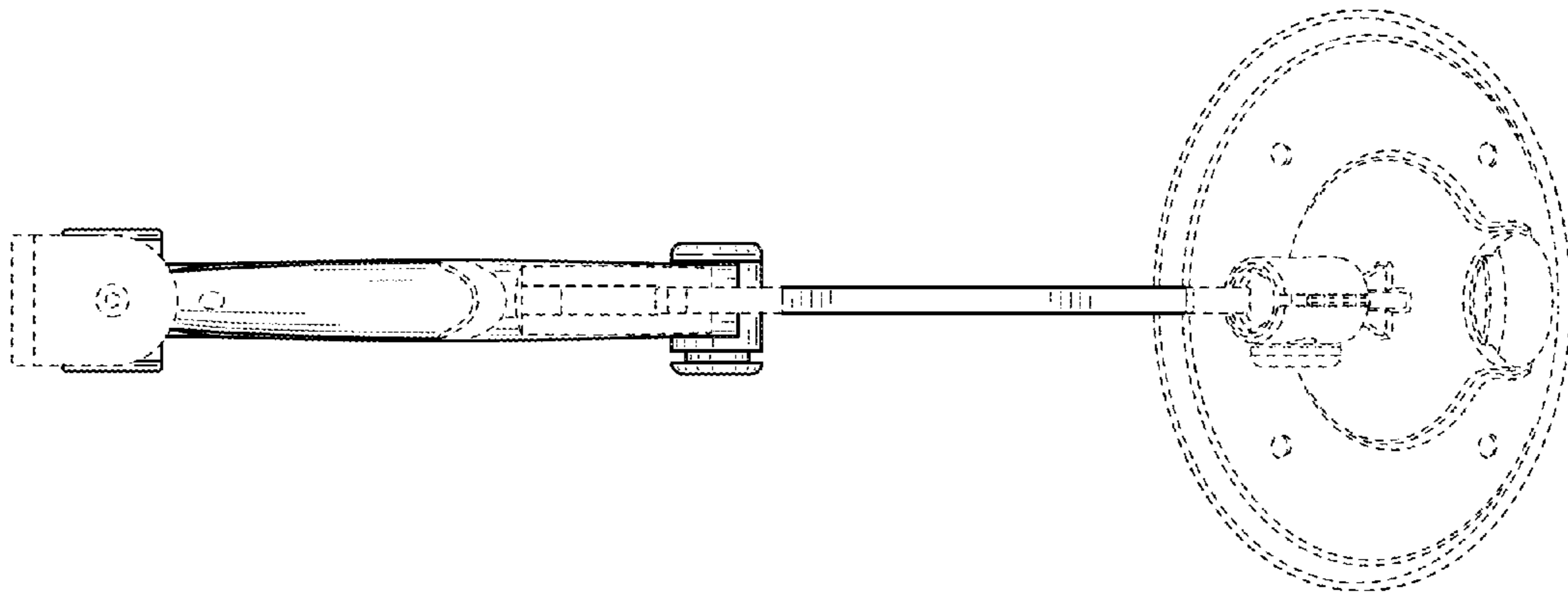


FIG. 7

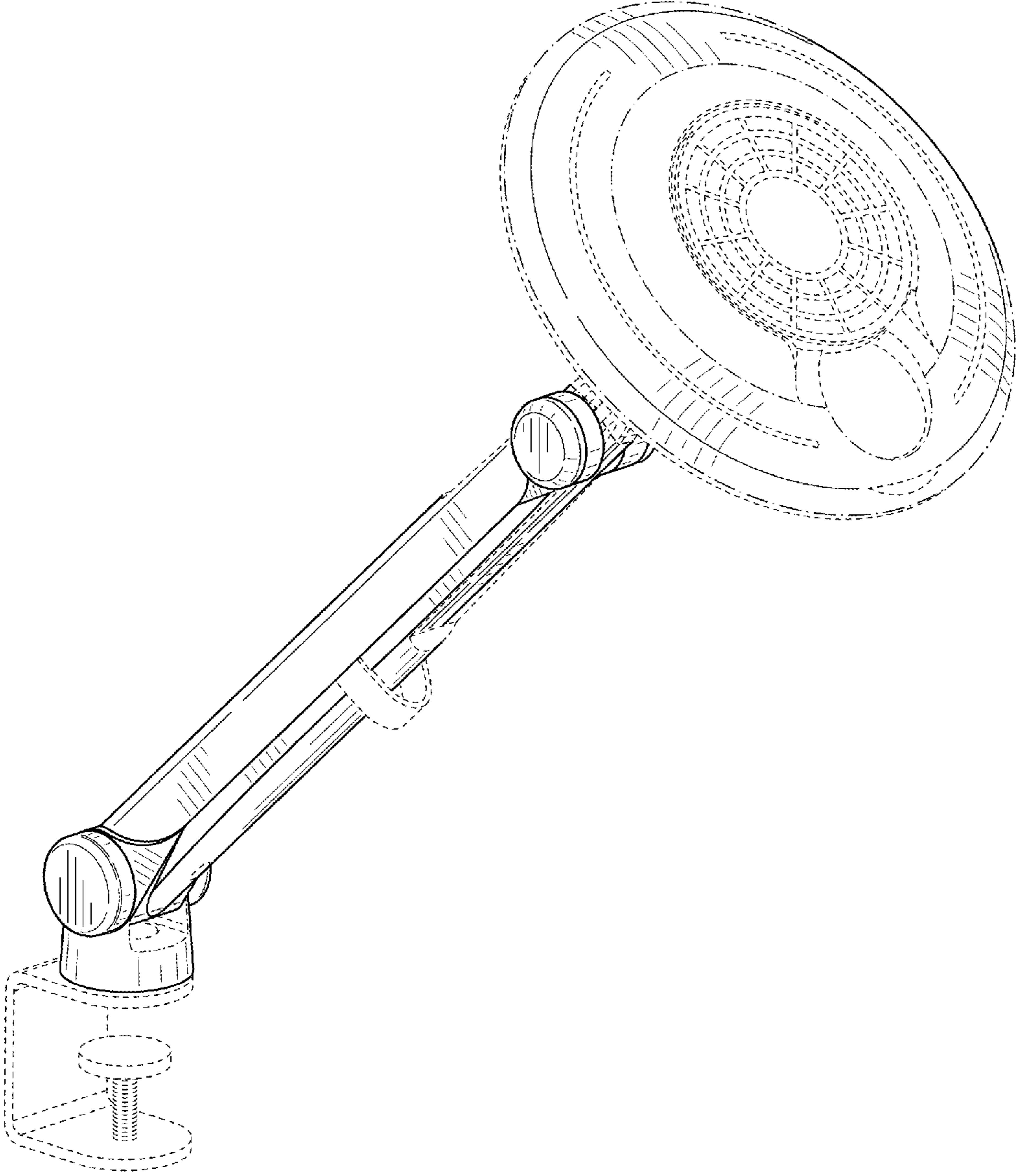


FIG. 8

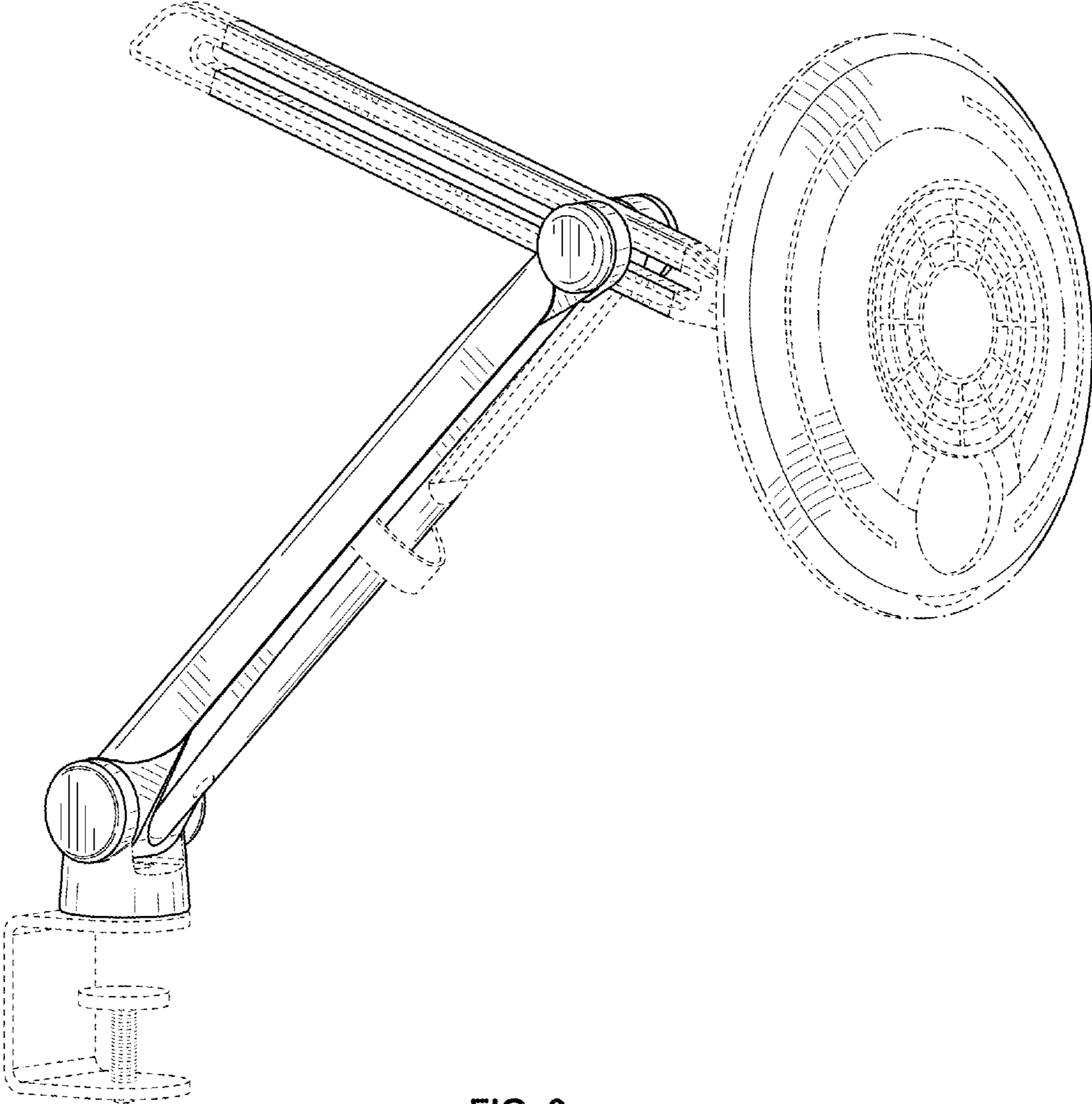


FIG. 9