



US00D742205S

(12) **United States Design Patent**  
**Fortier et al.**

(10) **Patent No.:** **US D742,205 S**  
(45) **Date of Patent:** **\*\* Nov. 3, 2015**

(54) **HOSE REEL**

(71) Applicant: **AMES TRUE TEMPER**, Camp Hill,  
PA (US)

(72) Inventors: **Nicola Fortier**, Quebec (CA); **Daniel Frank Marshall**, Enola, PA (US); **Eric Daniel Hyp**, Grandville, MI (US)

(73) Assignee: **AMES TRUE TEMPER**, Camp Hill,  
PA (US)

(\*\*) Term: **14 Years**

(21) Appl. No.: **29/484,948**

(22) Filed: **Mar. 14, 2014**

**Related U.S. Application Data**

(62) Division of application No. 29/432,292, filed on Sep. 14, 2012, now Pat. No. Des. 704,036.

(30) **Foreign Application Priority Data**

Mar. 16, 2012 (EM) ..... 002010256

(51) **LOC (10) Cl.** ..... **08-05**

(52) **U.S. Cl.**  
USPC ..... **D8/358**

(58) **Field of Classification Search**

USPC ..... D8/356, 358, 359, 19, 45; 242/395, 242/405.3, 118.7, 542.4, 160.4, 366, 400; 137/355.27, 355.2; D14/484; D3/24; D15/16; D12/501, 204; D22/14, 137  
CPC ..... H02G 11/02; A01K 89/003; H04M 1/15; A01D 34/822; A47L 9/26; H04R 1/1033; Y10S 24/909; B65H 2701/33; B65H 75/403; B65H 75/441; B65H 54/585; A62C 33/04; B08B 2203/0276; B21C 47/28

See application file for complete search history.

(56) **References Cited**

U.S. PATENT DOCUMENTS

D294,455 S 3/1988 Nelson  
D351,333 S 10/1994 Nelson et al.  
5,381,981 A 1/1995 Nelson  
D375,251 S 11/1996 Stevens et al.  
D384,878 S 10/1997 Kovacik et al.  
5,758,685 A 6/1998 Tisbo et al.  
D409,813 S 5/1999 Tisbo et al.  
5,934,314 A 8/1999 Spear et al.  
5,988,552 A 11/1999 Tisbo et al.  
D417,538 S 12/1999 Tisbo et al.

(Continued)

OTHER PUBLICATIONS

<http://www.suncast.com/productdisplay.aspx?id=422&pid=148>  
Mar. 15, 2012.

(Continued)

*Primary Examiner* — Robert M Spear  
*Assistant Examiner* — Eliza Bennett-Hattan

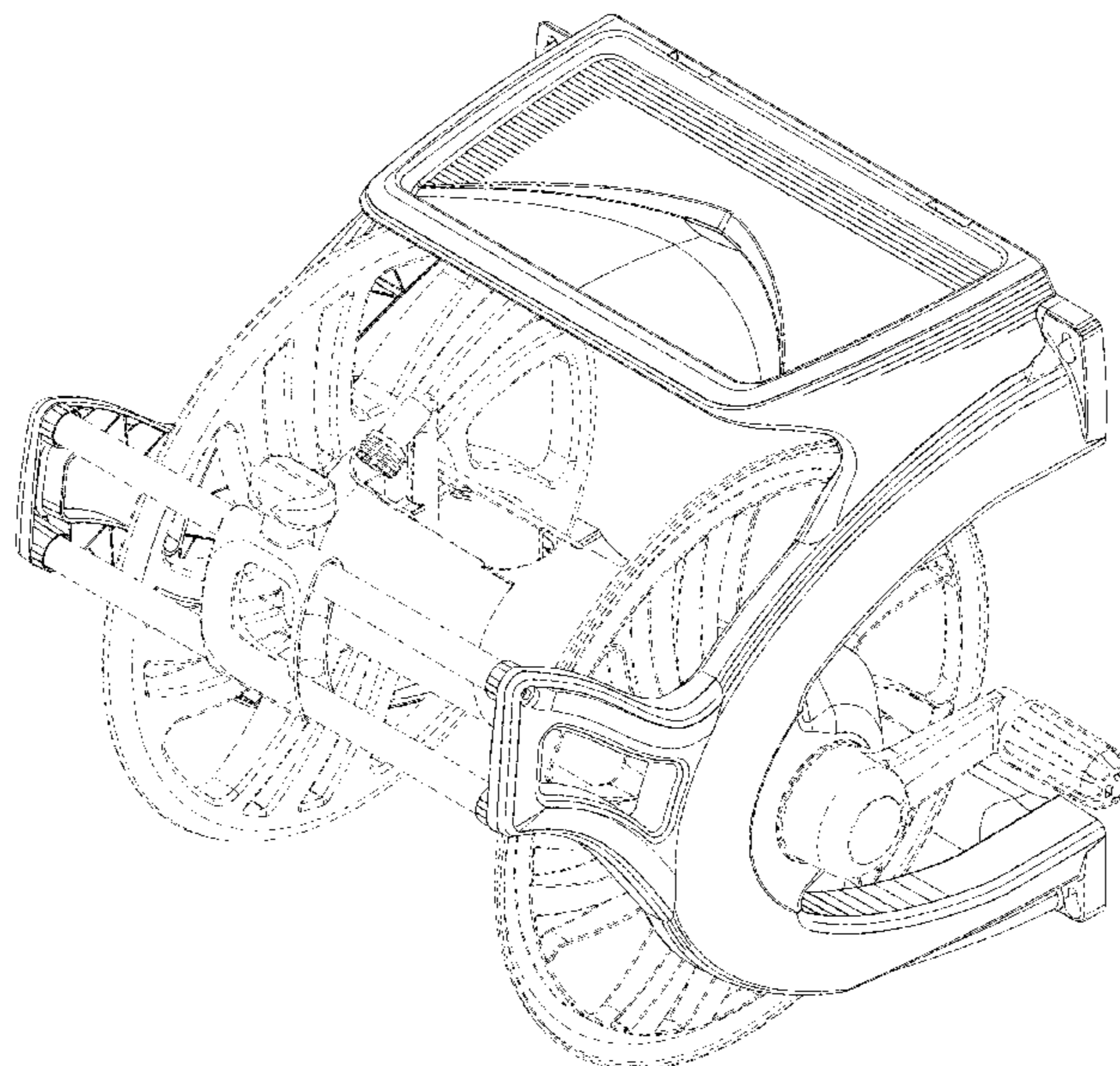
(57) **CLAIM**

The ornamental design for a hose reel, as shown and described.

**DESCRIPTION**

FIG. 1 is a perspective view of a hose reel showing my new design;  
FIG. 2 is a front view of the hose reel of FIG. 1;  
FIG. 3 is a first side view of the hose reel of FIG. 1;  
FIG. 4 is a second side view of the hose reel of FIG. 1;  
FIG. 5 is a top view of the hose reel of FIG. 1; and,  
FIG. 6 is a bottom view of the hose reel of FIG. 1.  
The broken lines do not form part of the claimed design.

**1 Claim, 6 Drawing Sheets**



(56)

**References Cited**

U.S. PATENT DOCUMENTS

D501,788	S	2/2005	Richardson et al.	
6,908,058	B2 *	6/2005	Moon et al. ....	242/403.1
6,932,106	B1 *	8/2005	Wang .....	137/355.27
D566,529	S	4/2008	Black	
D654,649	S	2/2012	Blaszczak et al.	
D672,634	S	12/2012	Phillips et al.	
D672,635	S	12/2012	Phillips et al.	
D673,030	S *	12/2012	Phillips et al. ....	D8/359
D704,036	S *	5/2014	Fortier et al. ....	D8/358
2012/0255625	A1 *	10/2012	Arcati .....	137/355.26
2012/0255626	A1 *	10/2012	Arcati .....	137/355.26

OTHER PUBLICATIONS

<http://www.suncast.com/productdisplay.aspx?id=202&pid=148>  
Mar. 15, 2012.

<http://www.suncast.com/productdisplay.aspx?id=516&pid=148>  
Mar. 15, 2012.

<http://www.suncast.com/productdisplay.aspx?id=155&pid=148>  
Mar. 15, 2012.

<http://www.suncast.com/productdisplay.aspx?id=516&pid=148>  
Mar. 15, 2012

<http://www.suncast.com/productdisplay.aspx?id=525&pid=148>  
Mar. 15, 2012.

<http://www.gardena.com/fr/water-management/garden-hose-reel/kit-60-ts/> Mar. 15, 2012.

<http://www.gardena.com/fr/water-management/garden-hose-reel/kit-60-hg/> Mar. 15, 2012.

<http://www.gardena.com/fr/water-management/garden-hose-reel/kit-pour-devidoir-portable-10-classic/> Mar. 15, 2012.

<http://www.garant.com/html/en/produits/produit.php?idProduit=1005650&typeProduit=famille> Mar. 15, 2012.

<http://www.garant.com/html/en/produits/produit.php?idProduit=1008353&typeProduit=famille> Mar. 15, 2012.

<http://www.garant.com/html/en/produits/produit.php?idProduit=63&typeProduit=famille> Mar. 15, 2012.

<http://www.garant.com/html/en/produits/produit.php?idProduit=75&typeProduit=famille> Mar. 15, 2012.

<http://www.garant.com/html/en/produits/produit.php?idProduit=1008755&typeProduit=famille> Mar. 15, 2012.

<http://www.garant.com/html/en/produits/produit.php?idProduit=1008352&typeProduit=famille> Mar. 15, 2012.

<http://www.garant.com/html/en/produits/produit.php?idProduit=69&typeProduit=famille> Mar. 15, 2012.

<http://www.garant.com/html/en/produits/produit.php?idProduit=1008754&typeProduit=famille> Mar. 15, 2012.

<http://www.garant.com/html/en/produits/produit.php?idProduit=1003652&typeProduit=famille> Mar. 15, 2012.

<http://www.garant.com/html/en/produits/produit.php?idProduit=1005653&typeProduit=famille> Mar. 15, 2012.

<http://www.garant.com/html/en/produits/produit.php?idProduit=1008346&typeProduit=famille> Mar. 15, 2012.

<http://www.garant.com/html/en/produits/produit.php?idProduit=70&typeProduit=famille> Mar. 15, 2012.

<http://www.garant.com/html/en/produits/produit.php?idProduit=1008358&typeProduit=famille> Mar. 15, 2012.

\* cited by examiner



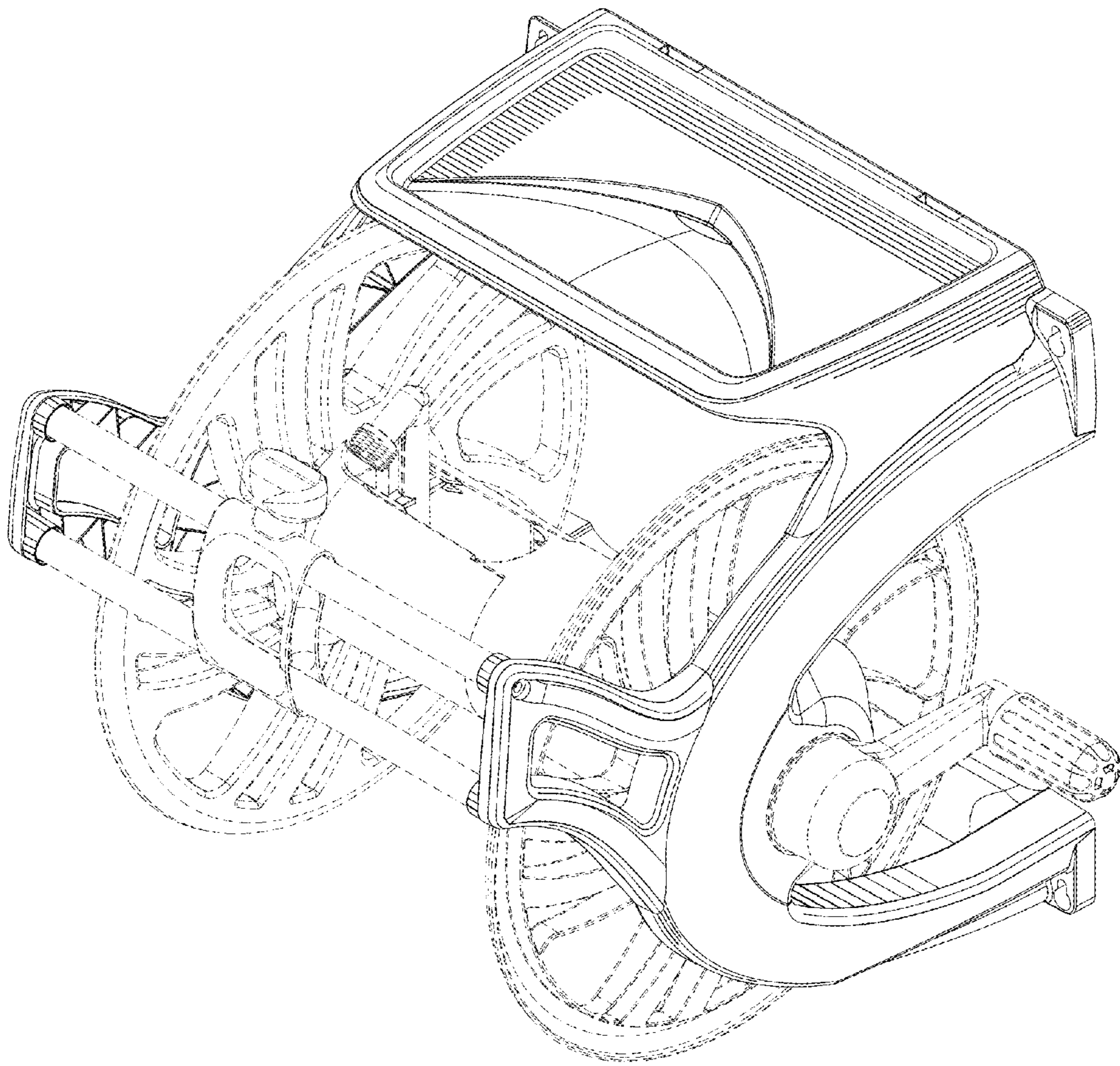


FIG. 1

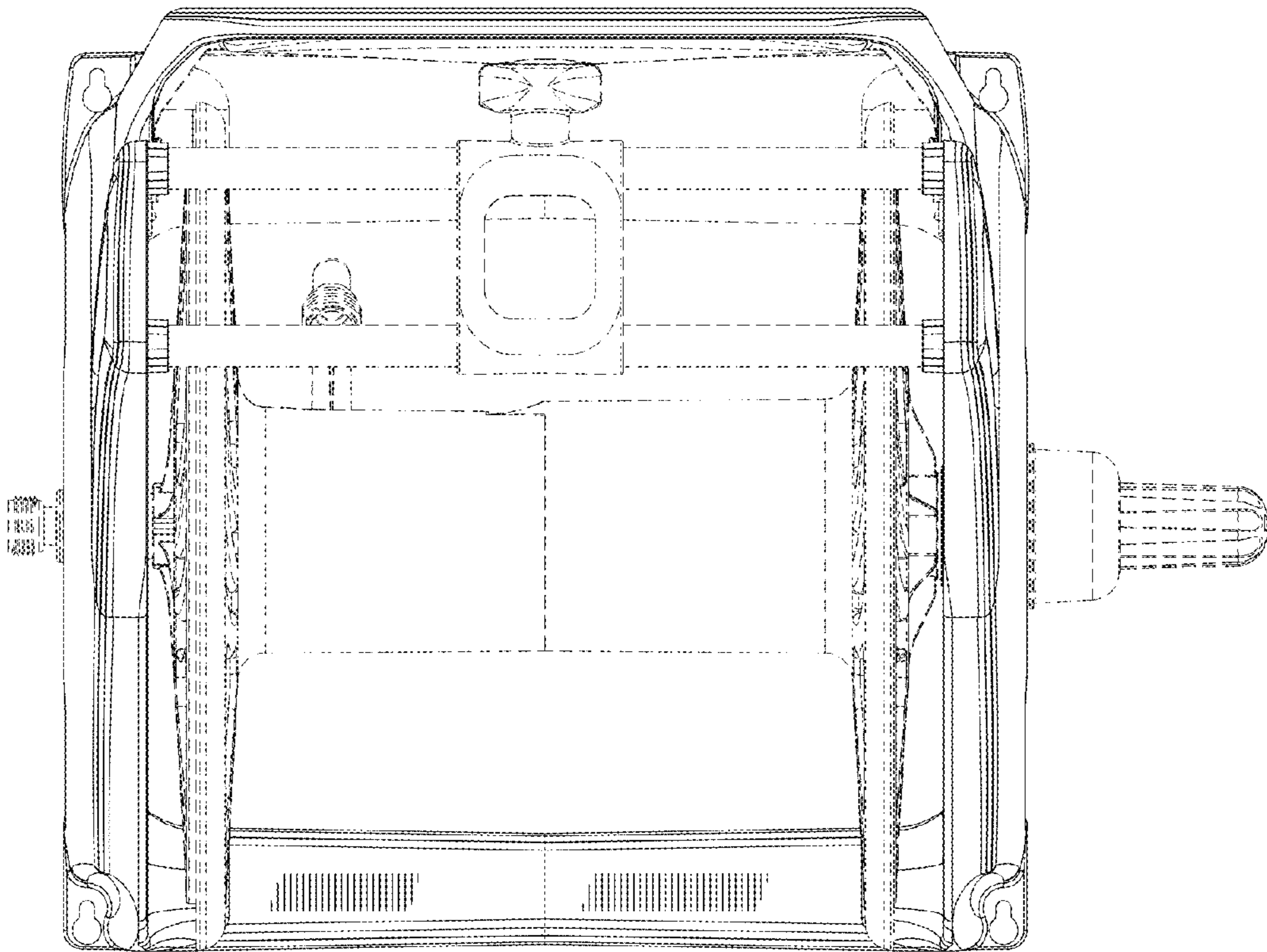


FIG. 2

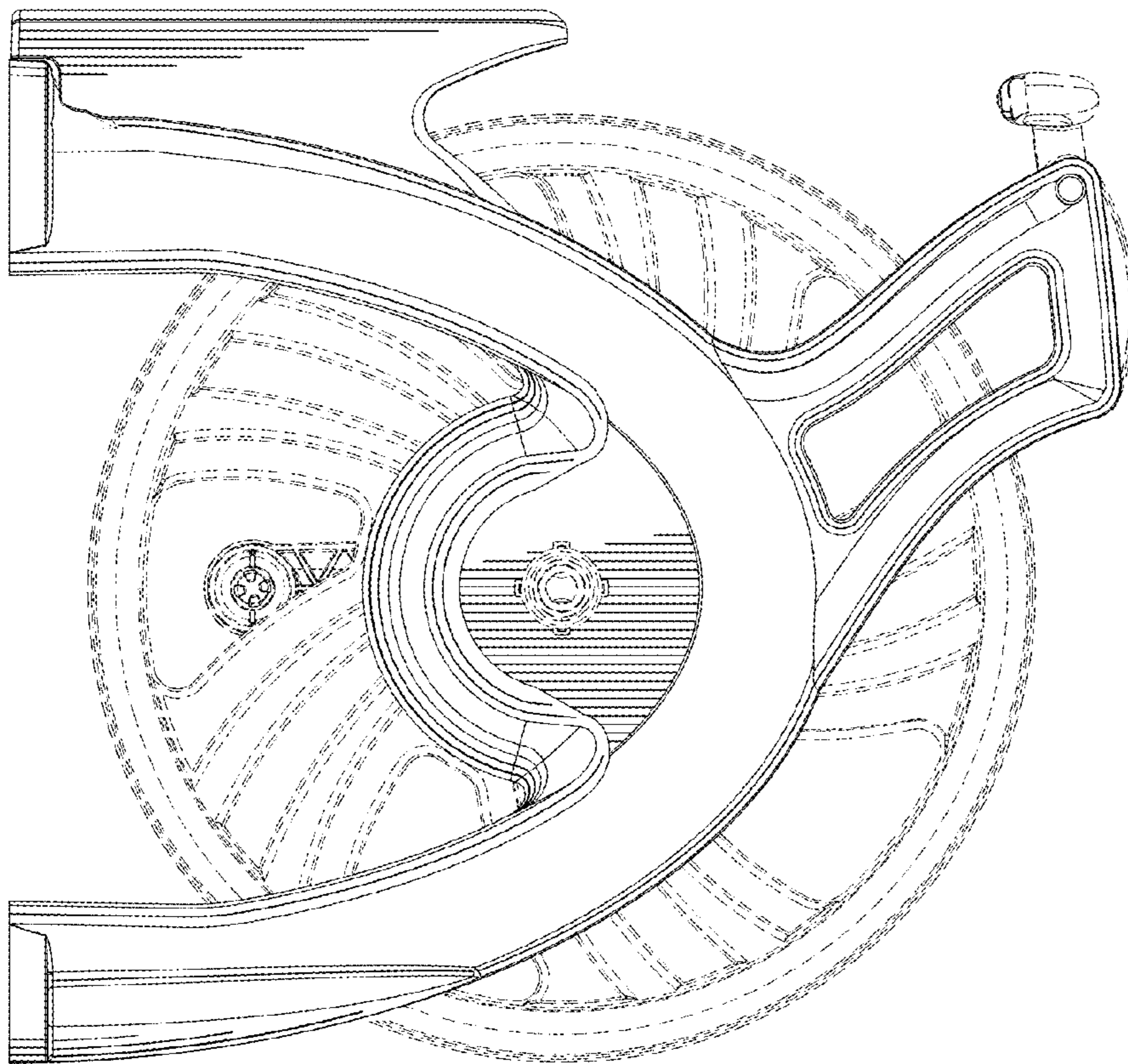


FIG. 3



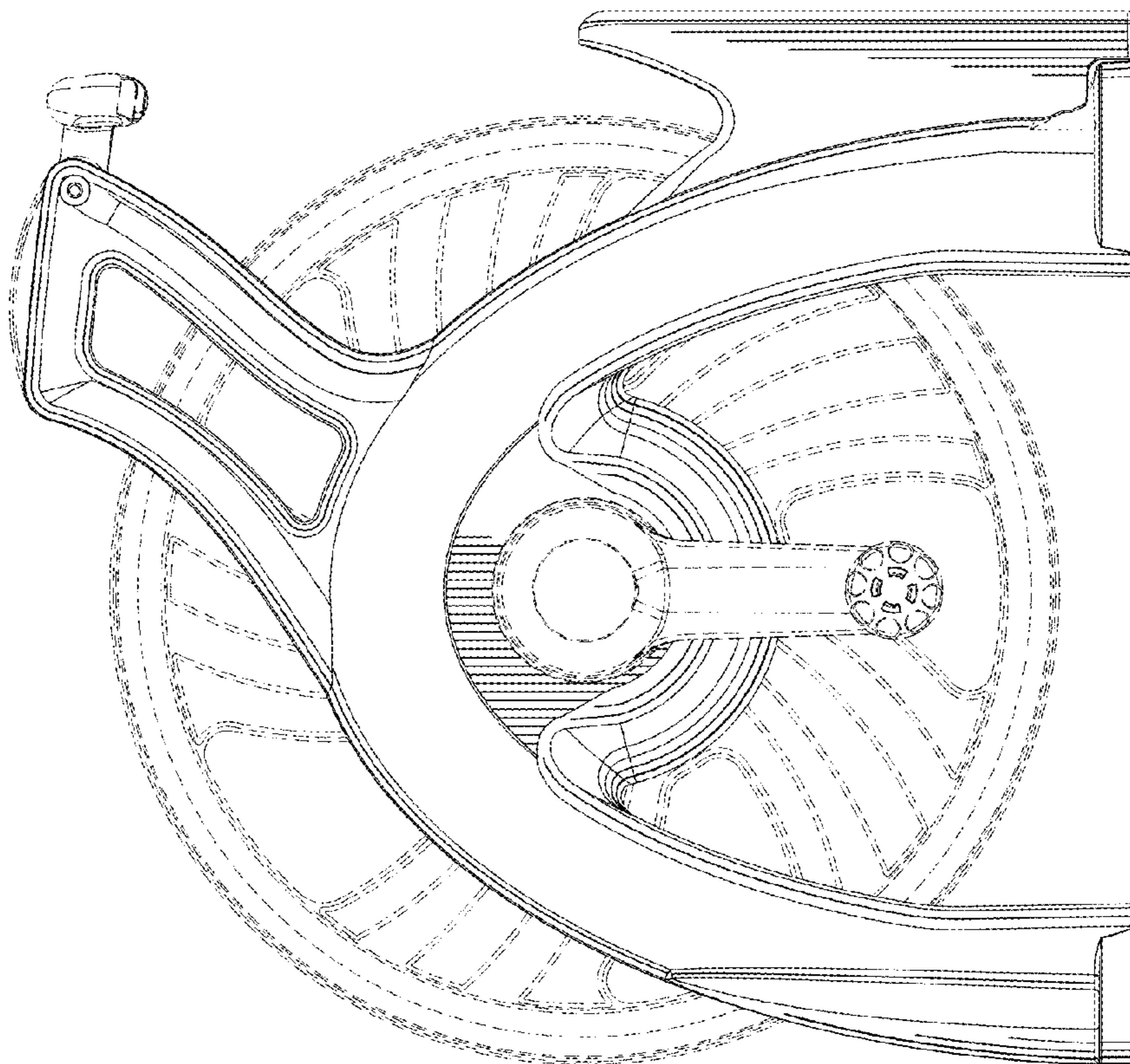


FIG. 4

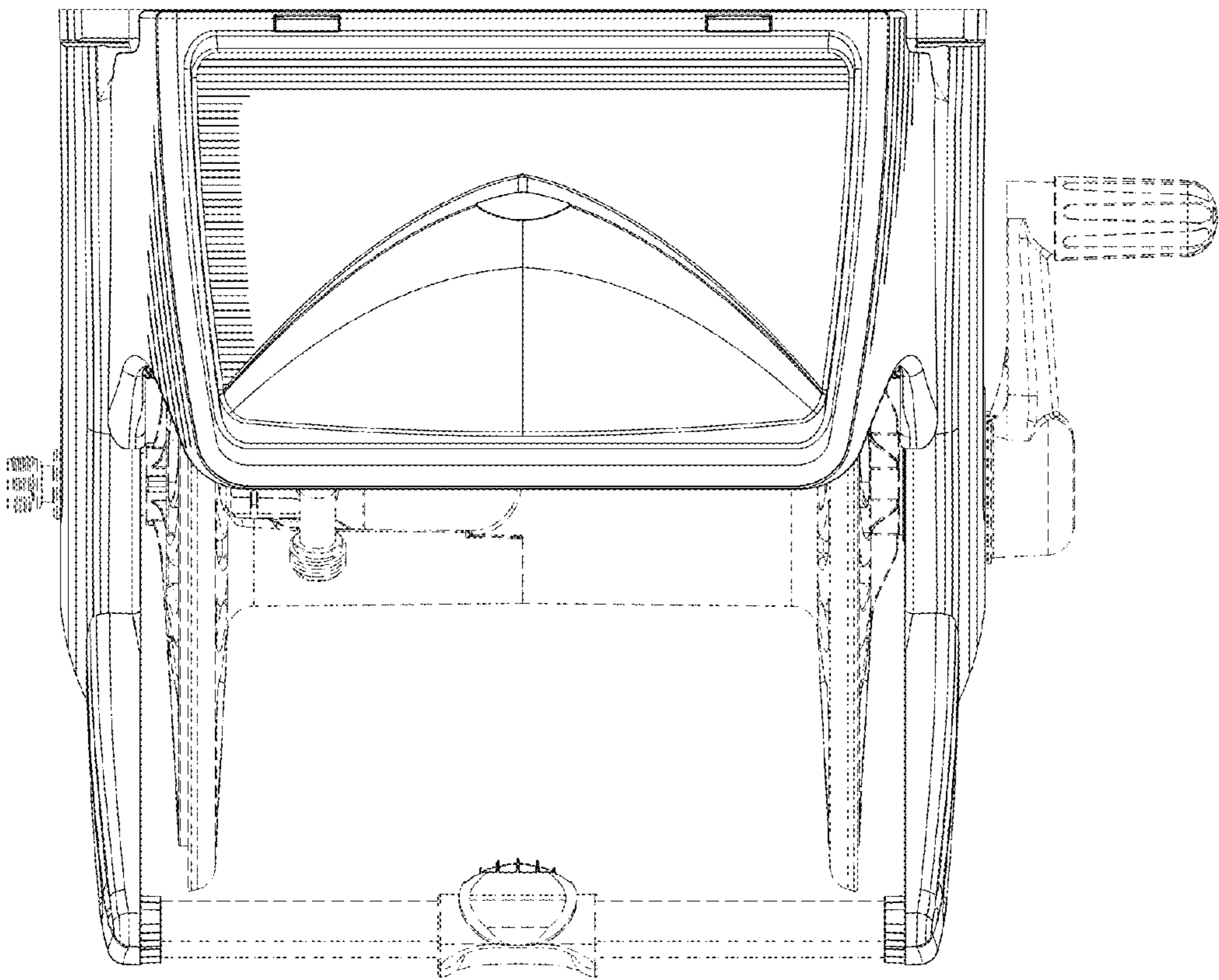


FIG. 5

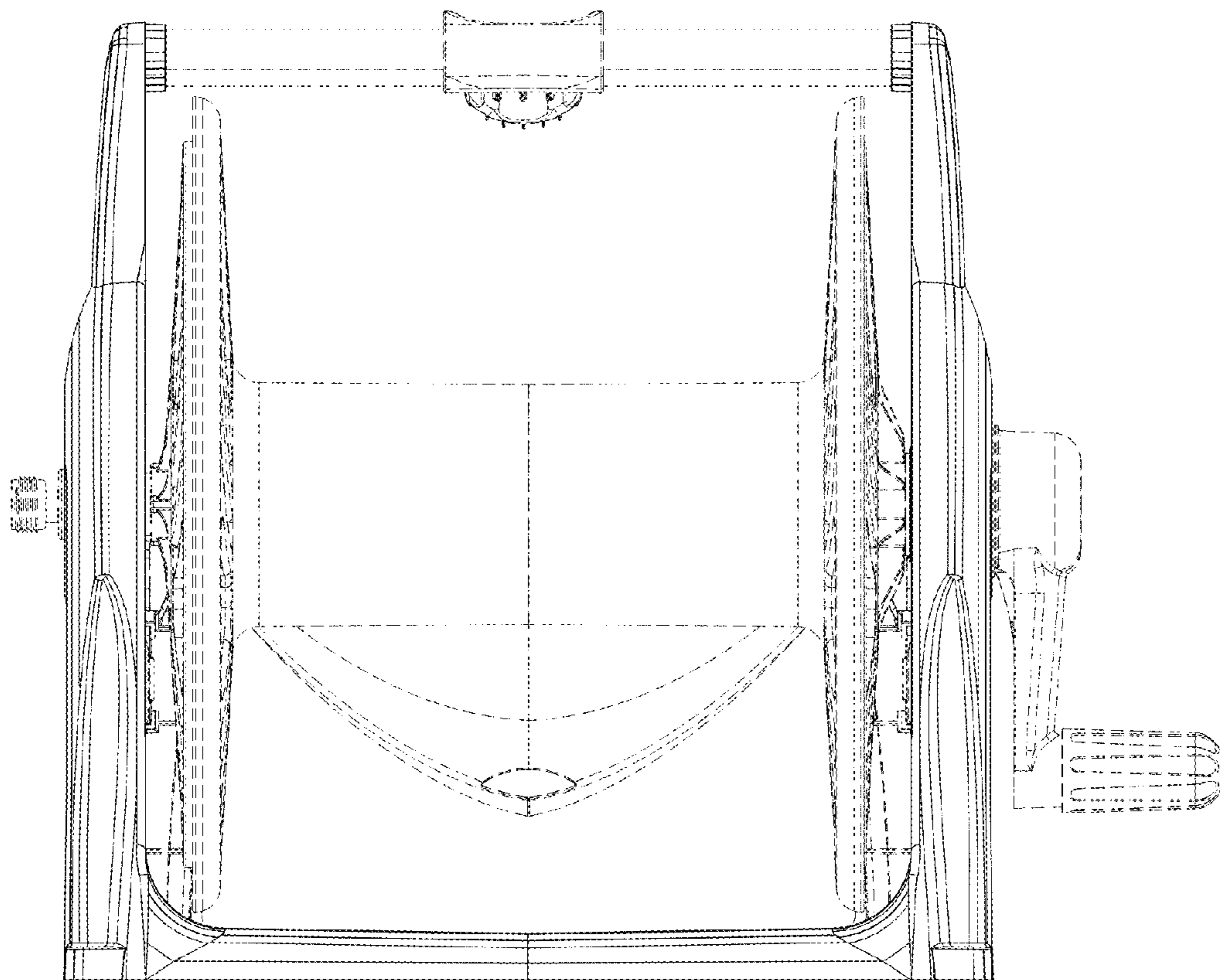


FIG. 6